

US00D969567S

(12) **United States Design Patent** (10) **Patent No.:** **US D969,567 S**
Worden, IV et al. (45) **Date of Patent:** **** Nov. 15, 2022**

- (54) **DRAWER ORGANIZER**
- (71) Applicant: **Helen of Troy Limited**, St. Michael (BB)
- (72) Inventors: **Morris Elijah Worden, IV**, New York, NY (US); **Brandon Rodriguez**, New York, NY (US)
- (73) Assignee: **Helen of Troy Limited**, St. Michael (BB)
- (**) Term: **15 Years**
- (21) Appl. No.: **29/770,371**
- (22) Filed: **Feb. 11, 2021**
- (51) **LOC (13) Cl.** **07-07**
- (52) **U.S. Cl.**
USPC **D7/637**
- (58) **Field of Classification Search**
USPC D7/387, 388, 393, 396.1, 401.1, 500, D7/550.1, 553.1, 553.2, 553.3, 553.7, D7/554.1, 554.3, 554.4, 555, 586, 587, D7/600.1, 601, 602, 635-645, 701, 703, D7/707, 708; D3/210, 304, 305, 310, D3/313, 315; D6/683, 683.1; D19/75, D19/77, 81, 83; D27/172, 183, 186; D28/73, 76, 83, 91
CPC ... A47B 88/969; A47B 88/975; A47B 88/988; A47B 88/994; A47B 2088/976; A47G 21/14; A47J 47/16; B65D 1/34; B65D 1/36; B65D 11/188; B65D 25/04; B65D 25/06
See application file for complete search history.

D708,022 S *	7/2014	Breuss	D7/641
D830,060 S *	10/2018	Kraemer	D3/310
D856,094 S *	8/2019	Joseph	D7/637
D932,847 S *	10/2021	Joseph	D7/637
D941,584 S *	1/2022	Zheng	D3/313

OTHER PUBLICATIONS

OXO Good Grips Compact Utensil Organizer, first available Jul. 21, 2021, Amazon, [online], [site visited Jul. 5, 2022], Available from internet URL: <https://www.amazon.com/OXO-Grips-Compact-Drawer-Organizer/dp/B09B1BQ4RL2> (Year: 2021).*

* cited by examiner

Primary Examiner — Mary Ann Calabrese
Assistant Examiner — Natalya M Rapundalo
(74) *Attorney, Agent, or Firm* — Rankin, Hill & Clark LLP

(57) **CLAIM**

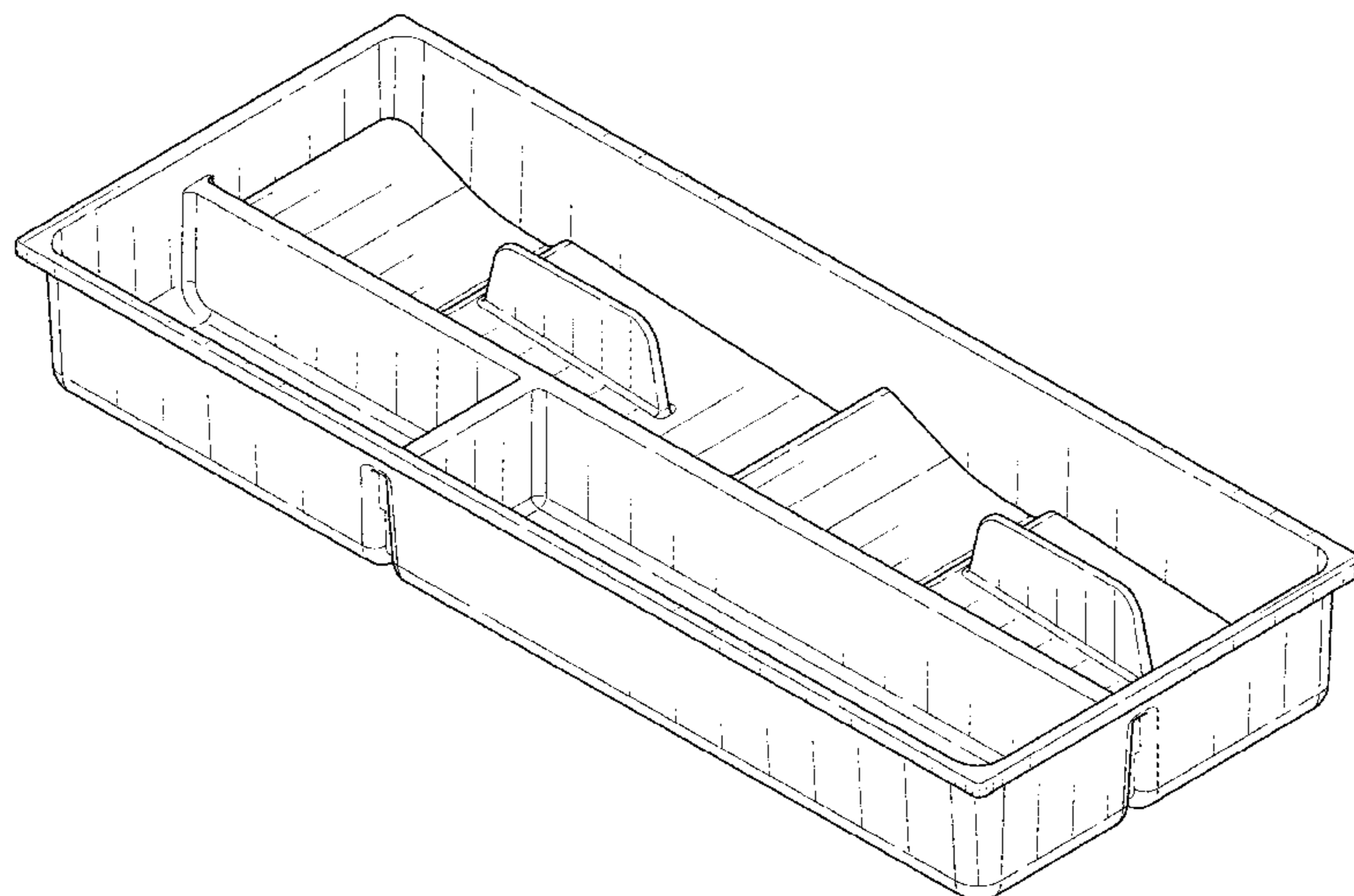
The ornamental design for a drawer organizer, as shown and described.

DESCRIPTION

FIG. 1 is a top, front, left side perspective view of a drawer organizer according to our new design; FIG. 2 is a front elevation view of FIG. 1; FIG. 3 is a rear elevation view of FIG. 1; FIG. 4 is a left side elevation view of FIG. 1; FIG. 5 is a right side elevation view of FIG. 1; FIG. 6 is a top plan view of FIG. 1; FIG. 7 is a bottom plan view of FIG. 1; FIG. 8 is a top, front, right side perspective view of FIG. 1; FIG. 9 is a top, rear, left side perspective view of FIG. 1; FIG. 10 is a top, rear, right side perspective view of FIG. 1; and, FIG. 11 is a bottom, rear, left side perspective view of FIG. 1.
The broken lines in the drawings depict portions of the drawer organizer that form no part of the claimed design.

1 Claim, 9 Drawing Sheets

- (56) **References Cited**
U.S. PATENT DOCUMENTS
D215,016 S * 8/1969 Kriegel D7/637
D332,553 S * 1/1993 Giugiaro D7/637
D353,078 S * 12/1994 Davis D7/637
D397,274 S * 8/1998 Hise D7/637
D494,024 S * 8/2004 Welch D7/637



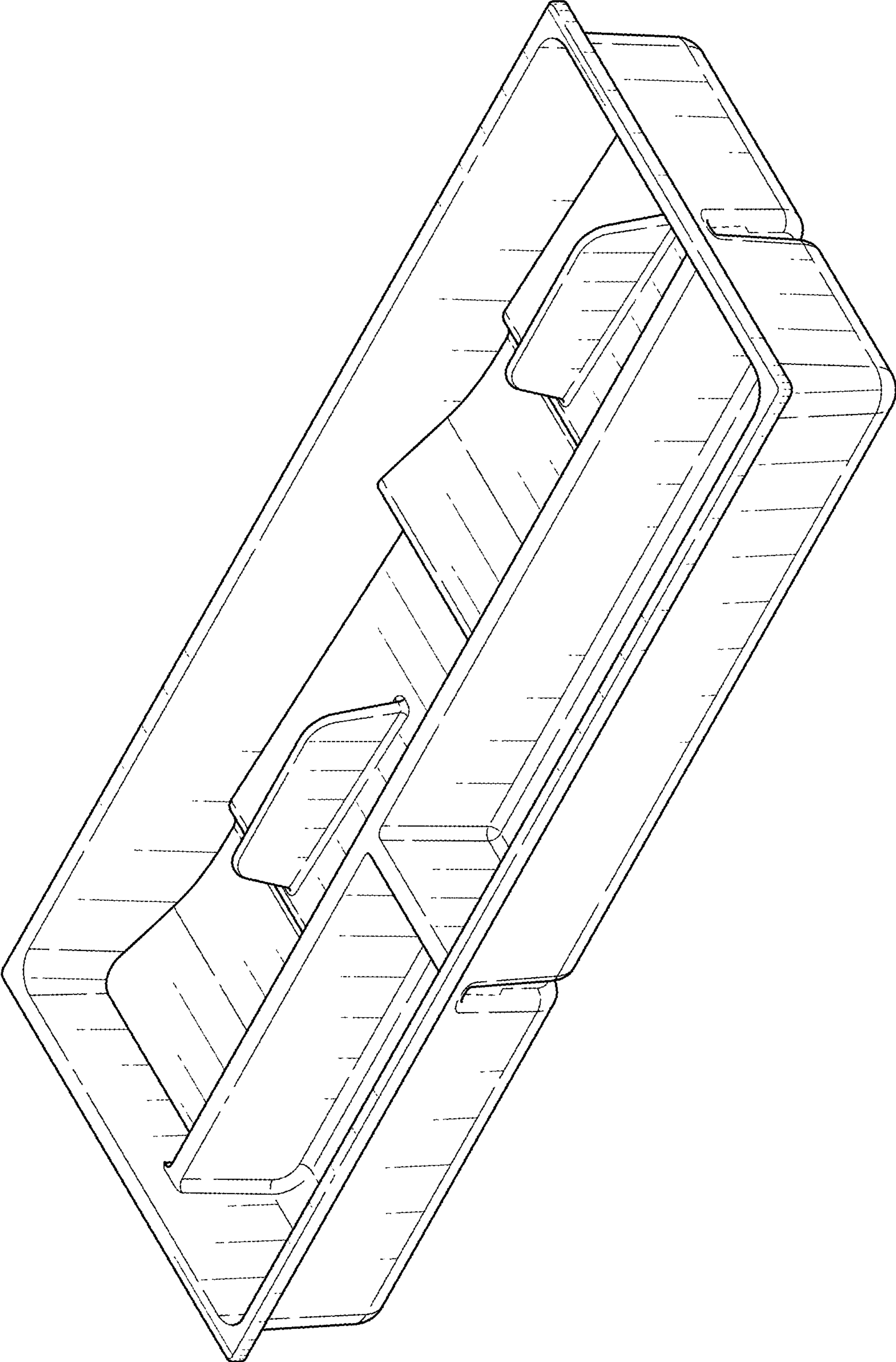


FIG. 1

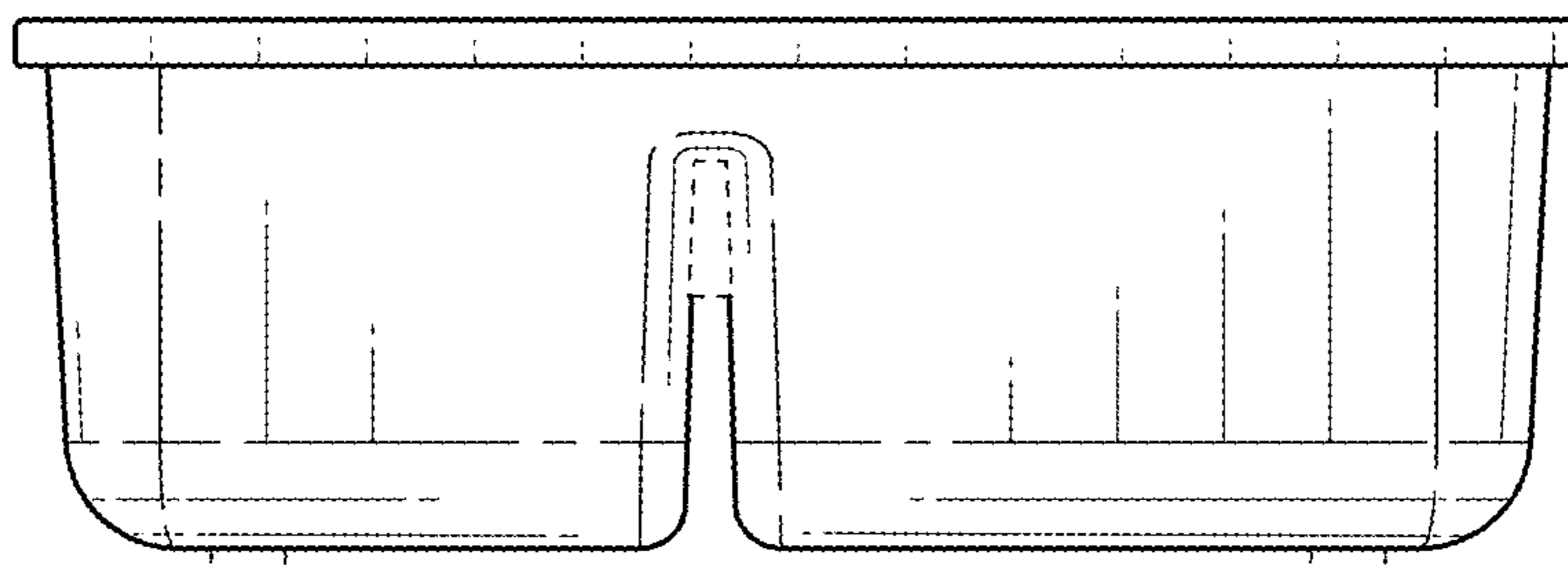


FIG. 2

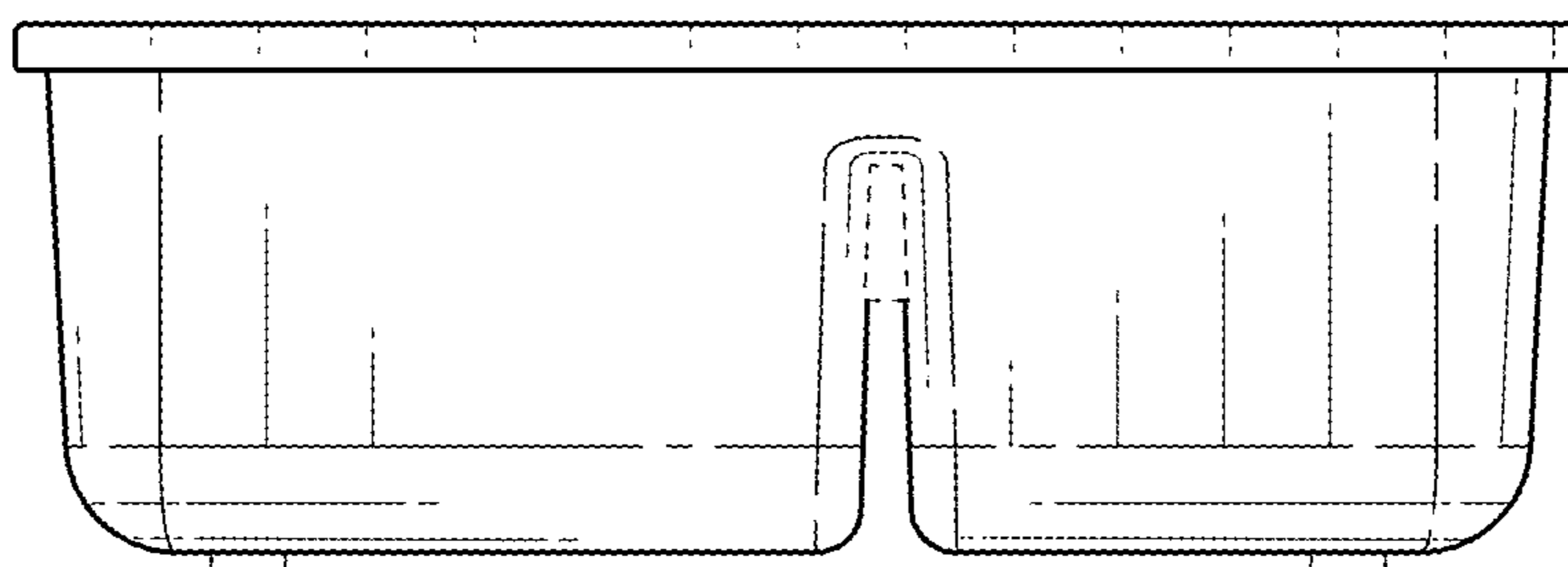


FIG. 3

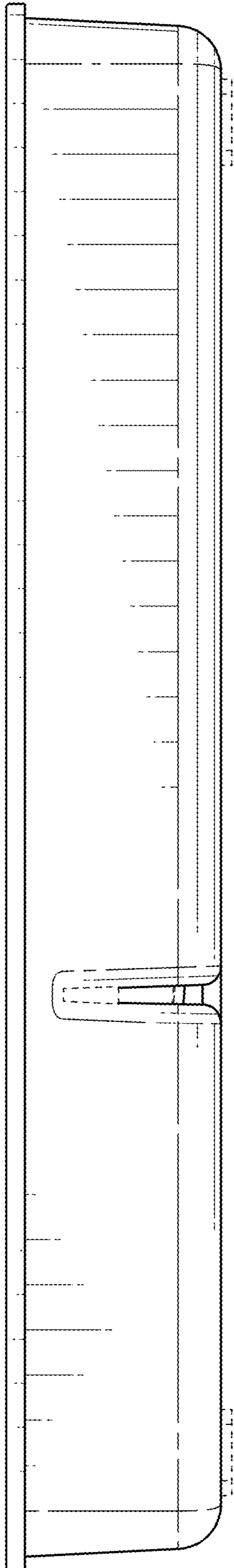


FIG. 4

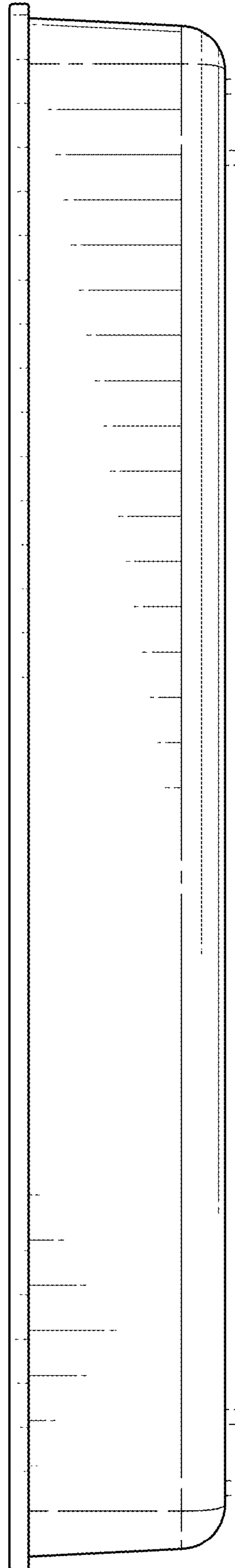


FIG. 5

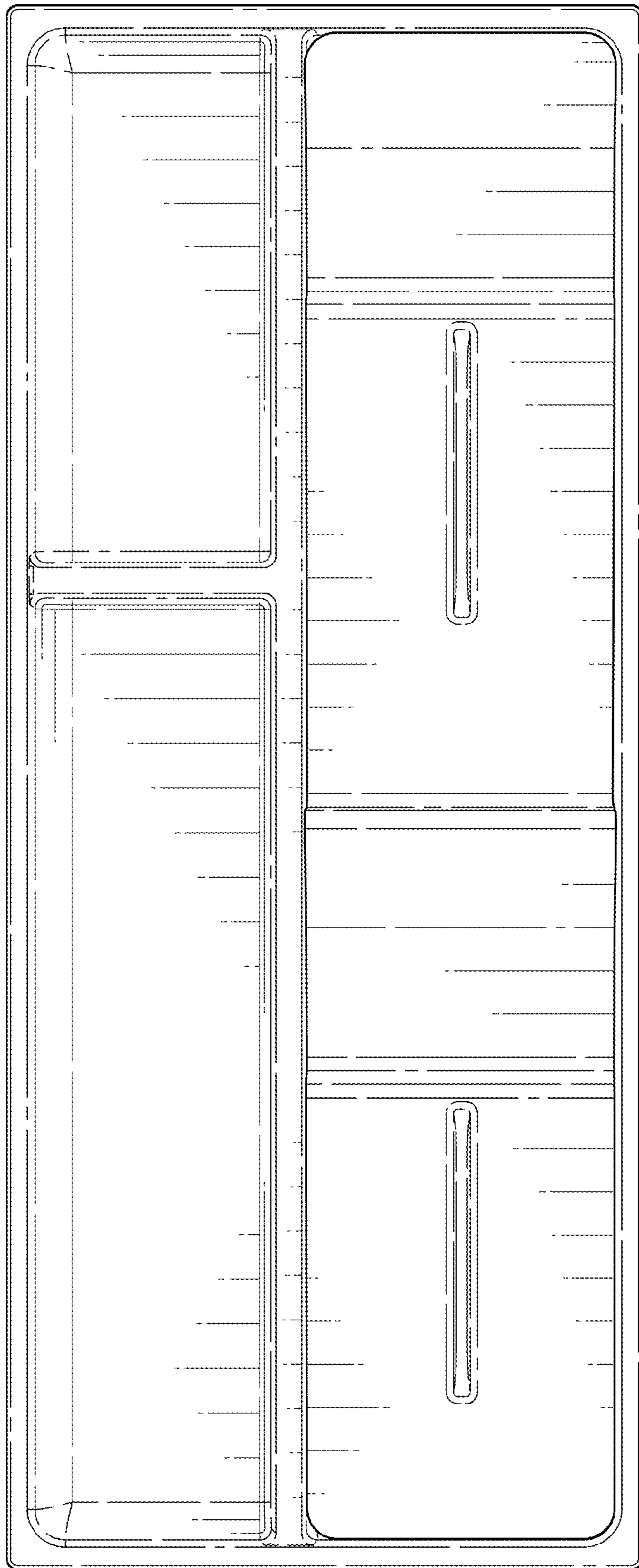


FIG. 6

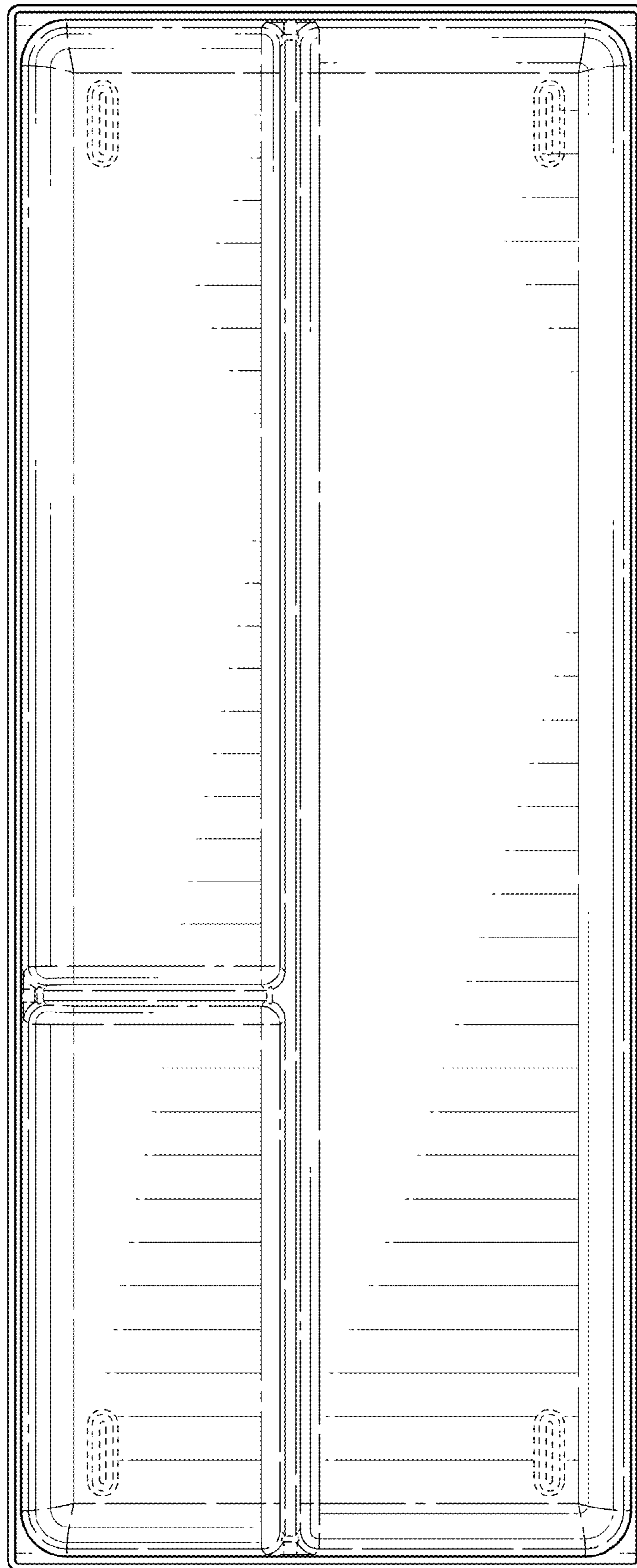


FIG. 7

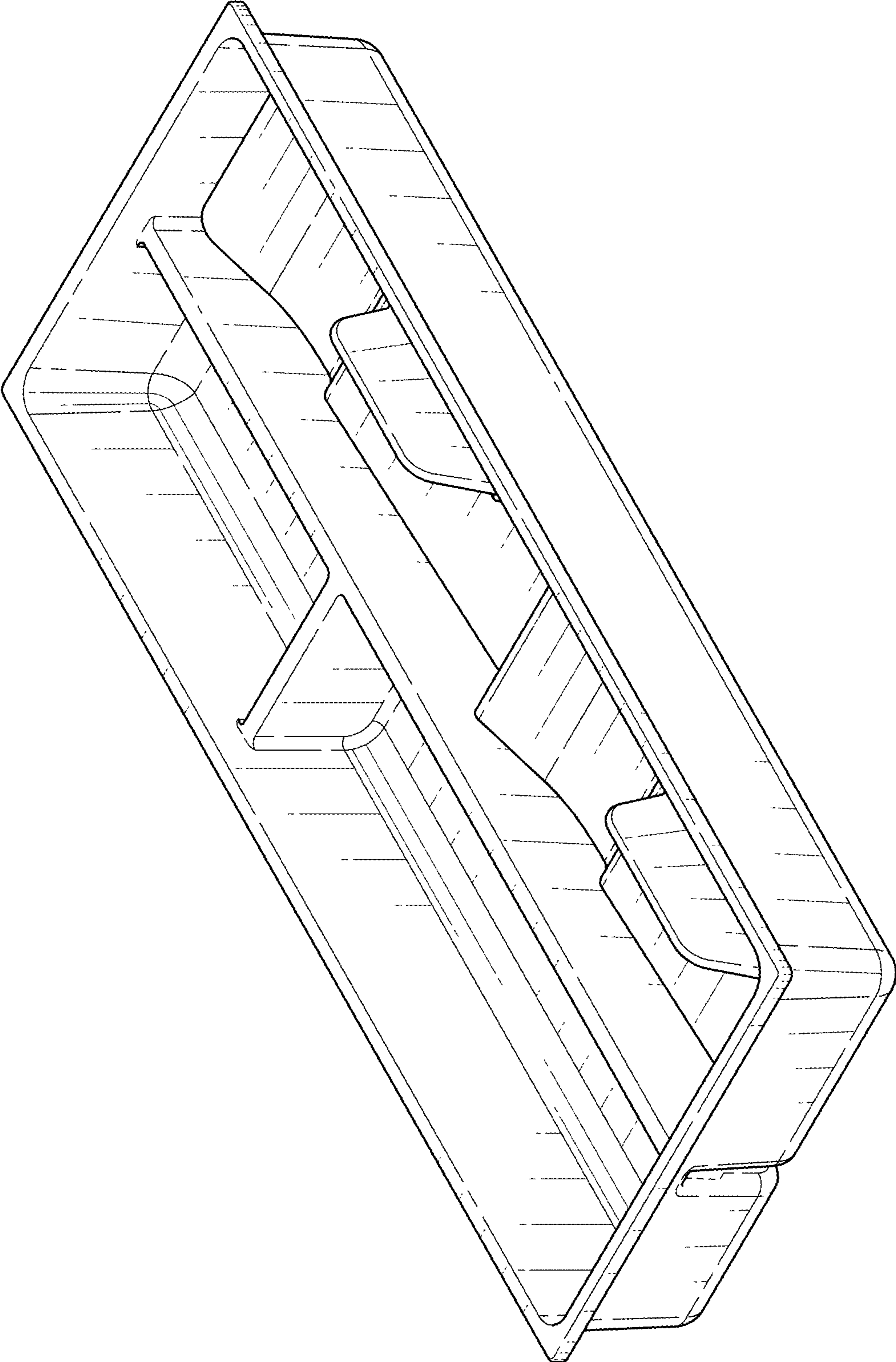


FIG. 8

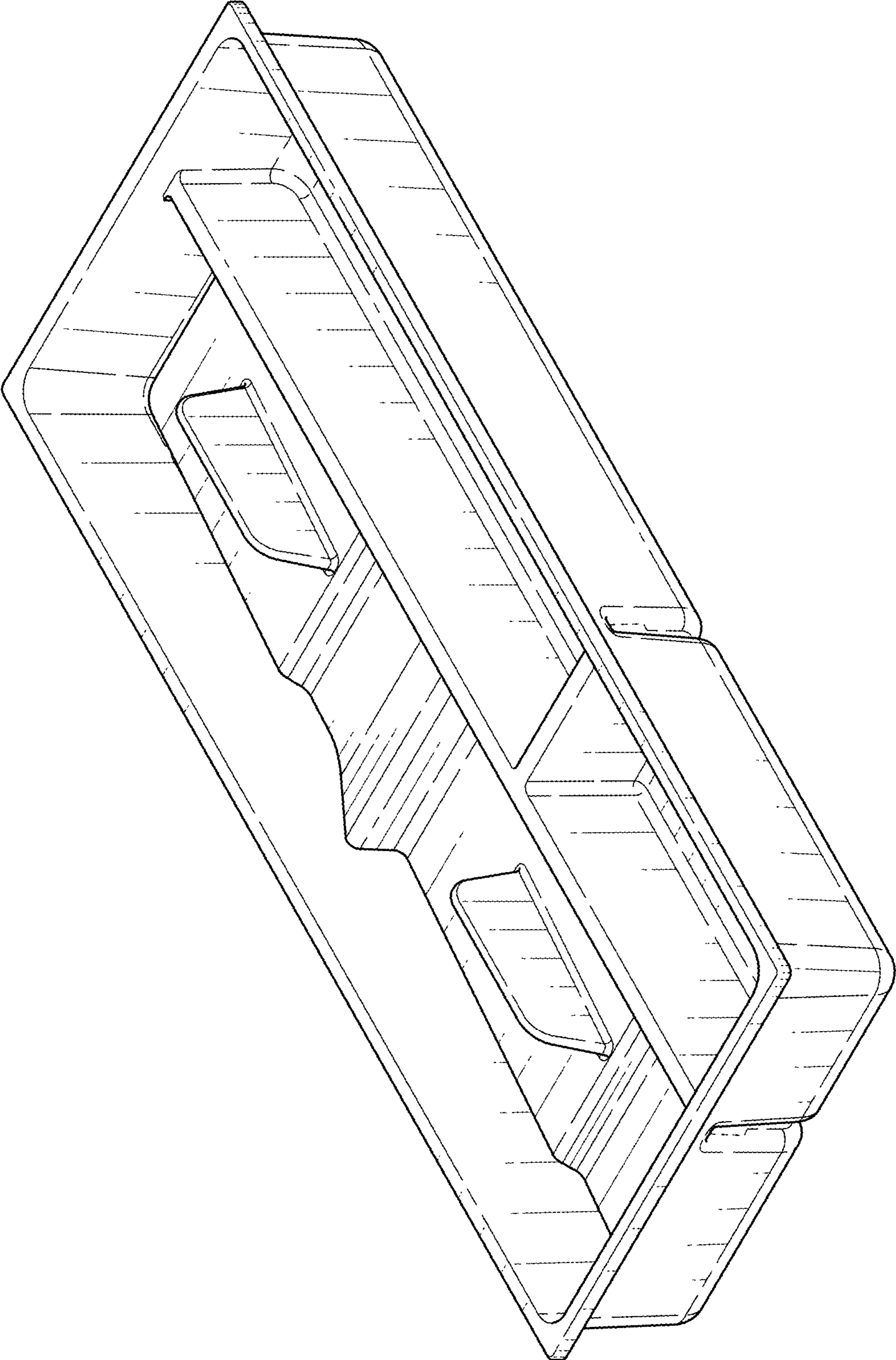


FIG. 9

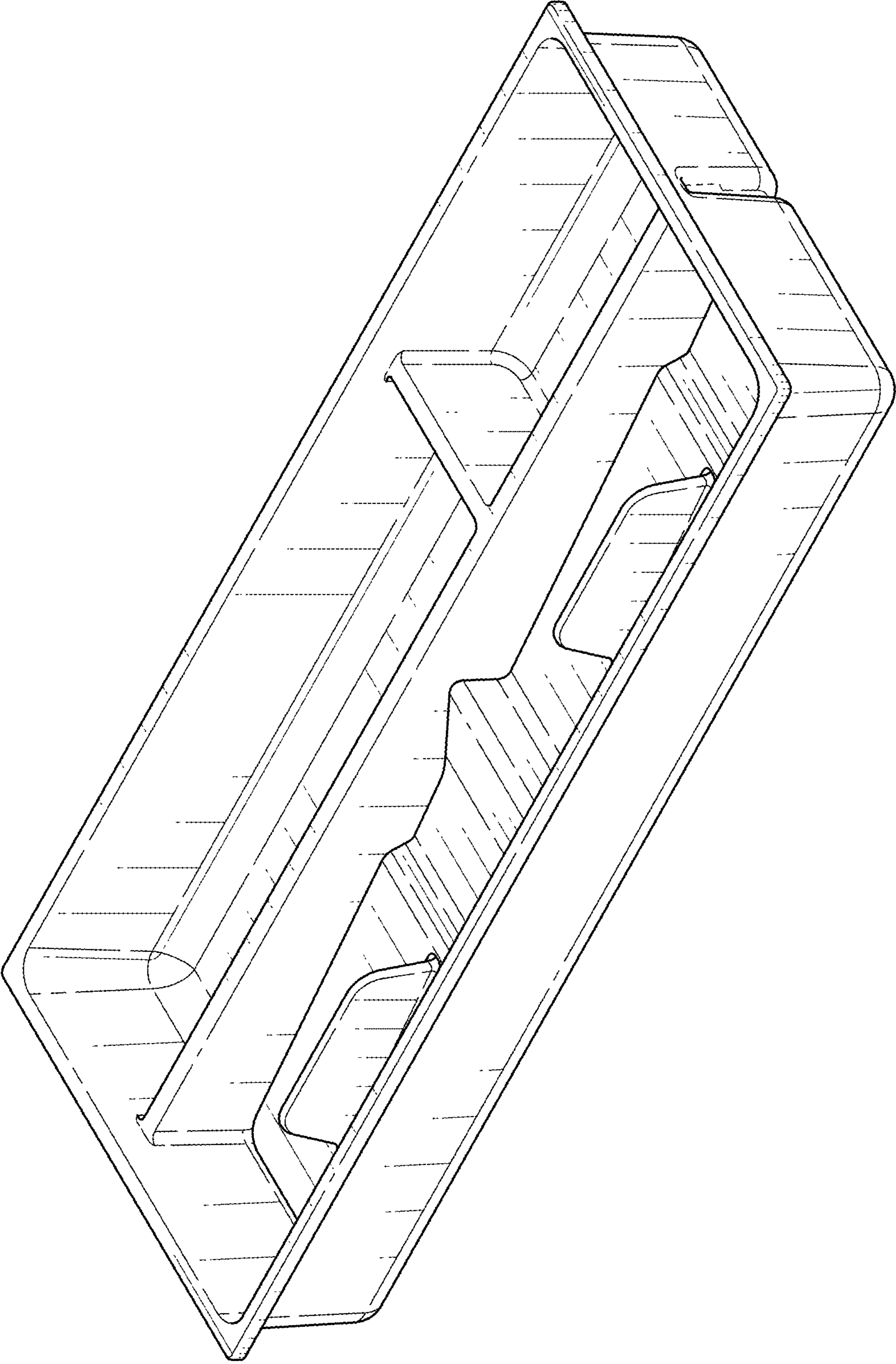


FIG. 10

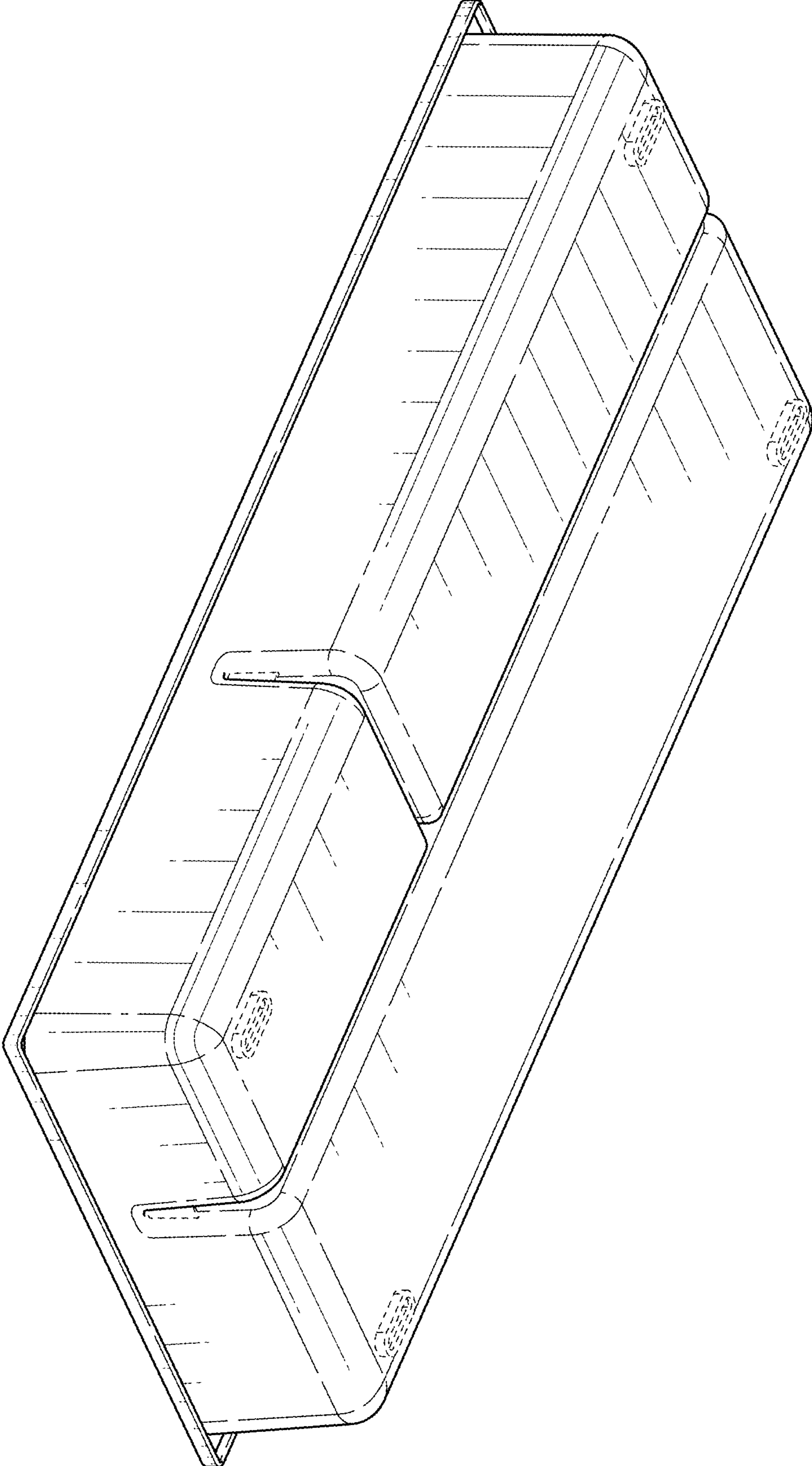


FIG. 11