

US00D969566S

(12) **United States Design Patent**
Newton

(10) **Patent No.:** **US D969,566 S**

(45) **Date of Patent:** **** Nov. 15, 2022**

(54) **WEIGHTED SLEEVE FOR A FLOATING CUP**

(71) Applicant: **Patrick Scott Newton**, Fort Lauderdale,
FL (US)

(72) Inventor: **Patrick Scott Newton**, Fort Lauderdale,
FL (US)

(**) Term: **15 Years**

(21) Appl. No.: **29/751,362**

(22) Filed: **Sep. 21, 2020**

(51) **LOC (13) Cl.** **07-09**

(52) **U.S. Cl.**
USPC **D7/619.1**

(58) **Field of Classification Search**

USPC D3/202, 229, 289; D7/391, 531, 536,
D7/605, 607, 608, 619.1, 624.2, 701;
D9/444, 711

CPC A47G 23/0216; A47G 19/2288; A47G
23/0241; A47G 2023/0275; A47G 23/02;
A47G 23/0266; A47G 23/04; A45F 3/16;
B65D 81/3886; B65D 81/3883; B65D
81/3876; B65D 81/3837; F25D 3/08;
F25D 2331/805; F25D 2303/0822; F25D
2331/803; F25D 2331/809; F25D 31/007;
F25D 2303/0841

See application file for complete search history.

(56) **References Cited**

U.S. PATENT DOCUMENTS

- 4,768,354 A * 9/1988 Barnwell F25D 31/007
62/530
- 5,727,709 A * 3/1998 Nobile B65D 81/3886
220/560
- 5,909,821 A * 6/1999 Guridi B65D 81/3886
220/739
- D442,833 S * 5/2001 Shuman D7/608

- 6,790,112 B2 * 9/2004 Kirk B63B 25/002
220/739
- D537,297 S * 2/2007 Martin D7/624.2
- D752,397 S * 3/2016 Seiders D7/624.2
- D780,533 S * 3/2017 Seiders D7/624.2
- D793,172 S * 8/2017 Medina D7/624.2
- D801,753 S * 11/2017 Piper D7/624.2
- D839,676 S * 2/2019 Seiders D7/532
- D880,954 S * 4/2020 McCutchen B63B 25/002
D7/624.2
- D902,665 S * 11/2020 Jacobsen F25D 31/007
D7/608
- D928,529 S * 8/2021 Ben Susan D6/534
- D942,225 S * 2/2022 Burga D7/624.2
- D945,223 S * 3/2022 Rogers D7/619.1

(Continued)

Primary Examiner — Joseph Kukella

Assistant Examiner — Darryl J Dardenne

(74) *Attorney, Agent, or Firm* — Robert C. Kain; Scott D.
Smiley

(57) **CLAIM**

I claim an ornamental design for a weighted sleeve for a floating cup, as shown and described.

DESCRIPTION

FIG. 1 is a perspective view of the weighted sleeve for a floating cup.

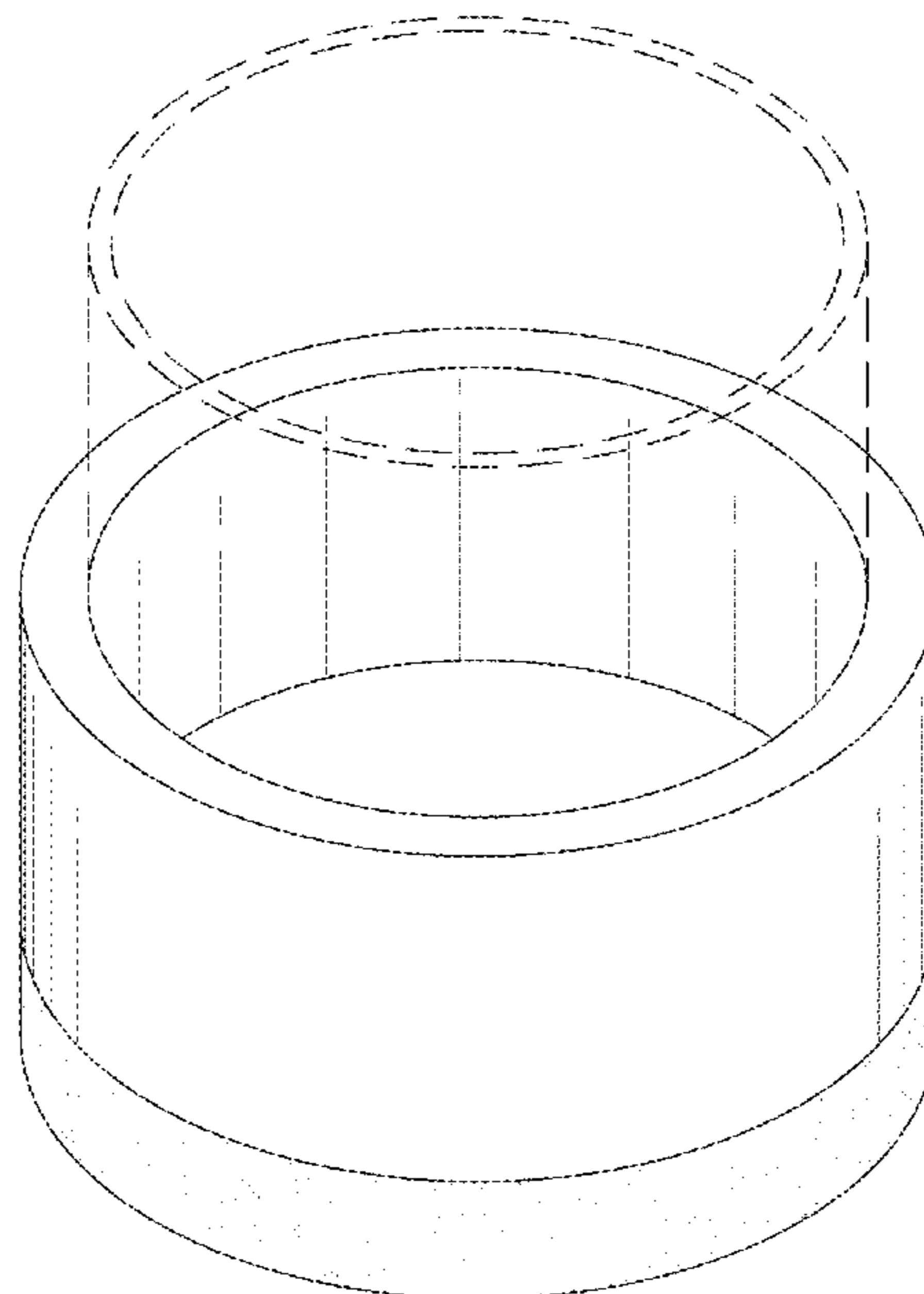
FIG. 2 is a front elevational view of the weighted sleeve for a floating cup (the left side view, the right side view and rear view being identical to the front elevational view).

FIG. 3 is a top view of the weighted sleeve for a floating cup; and,

FIG. 4 is a bottom view of the weighted sleeve for a floating cup.

In the drawings, the broken lines illustrate the environment and form no part of the claimed design. In the drawings, the stippling illustrates a contrasting color or material.

1 Claim, 4 Drawing Sheets



(56)

References Cited

U.S. PATENT DOCUMENTS

D946,354 S * 3/2022 Chen D7/619.1
2014/0110412 A1 * 4/2014 Johnson A47G 23/0216
220/560
2016/0022072 A1 * 1/2016 McDowell A47G 23/0216
220/560

* cited by examiner

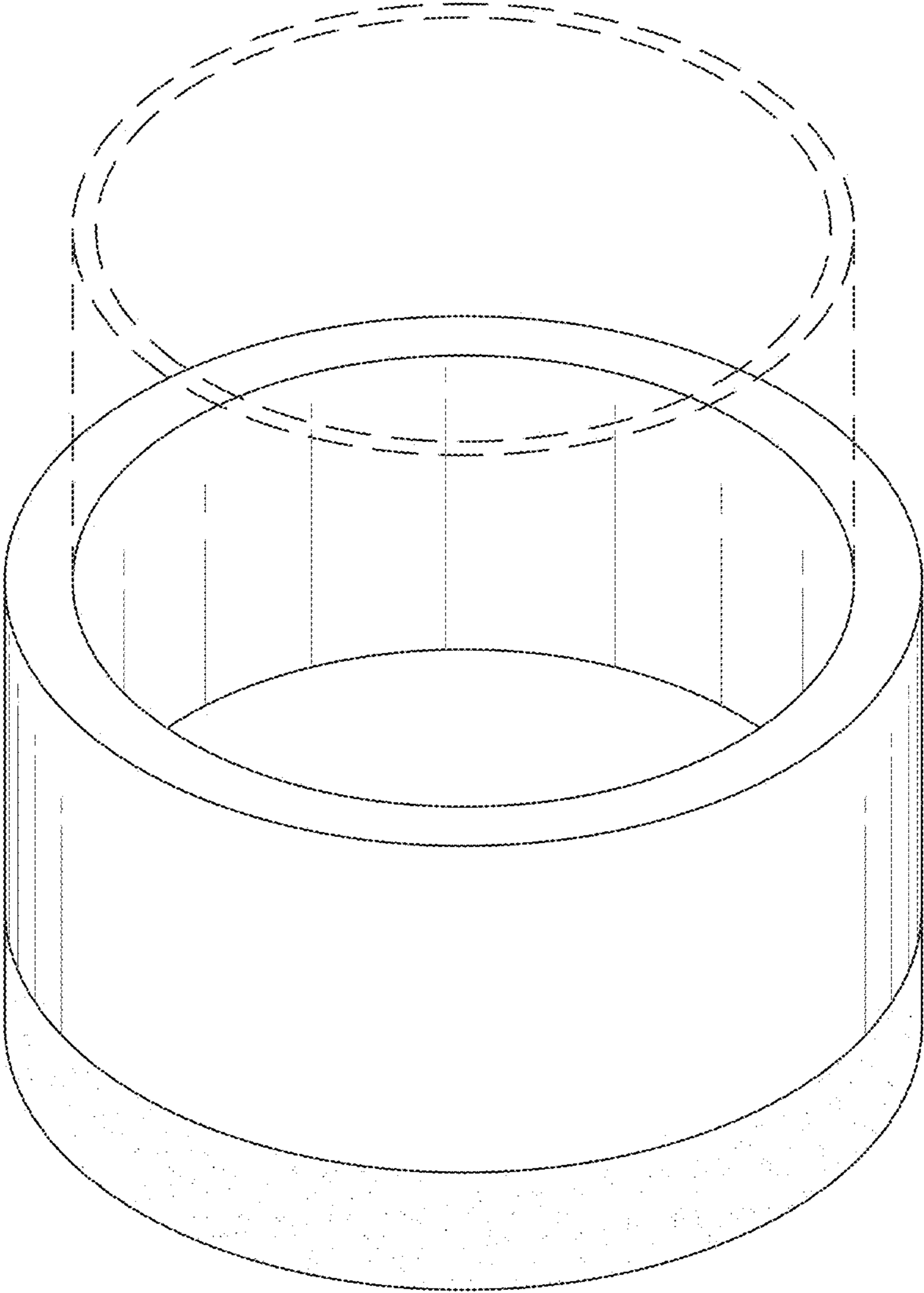


FIG. 1

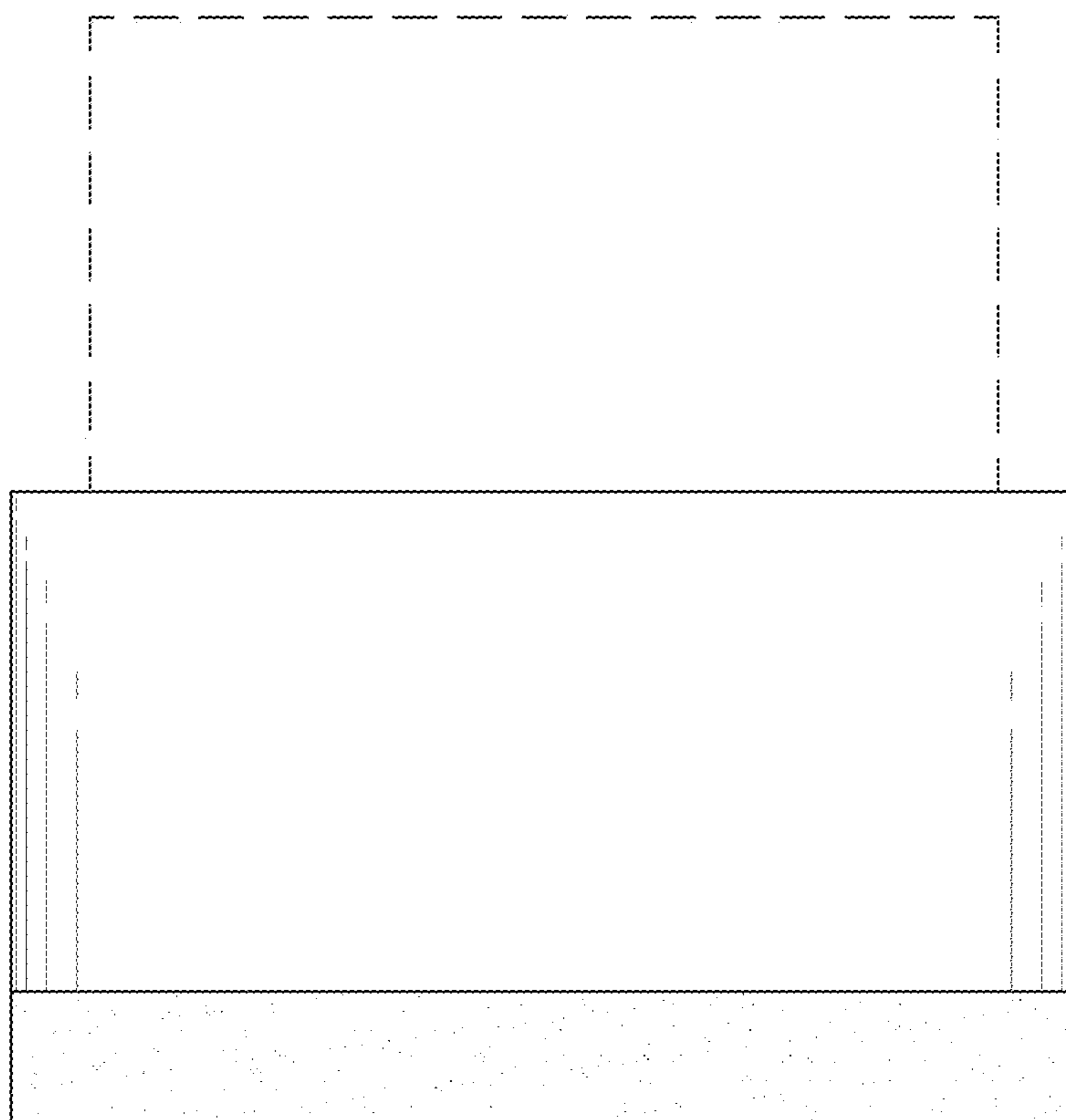


FIG. 2

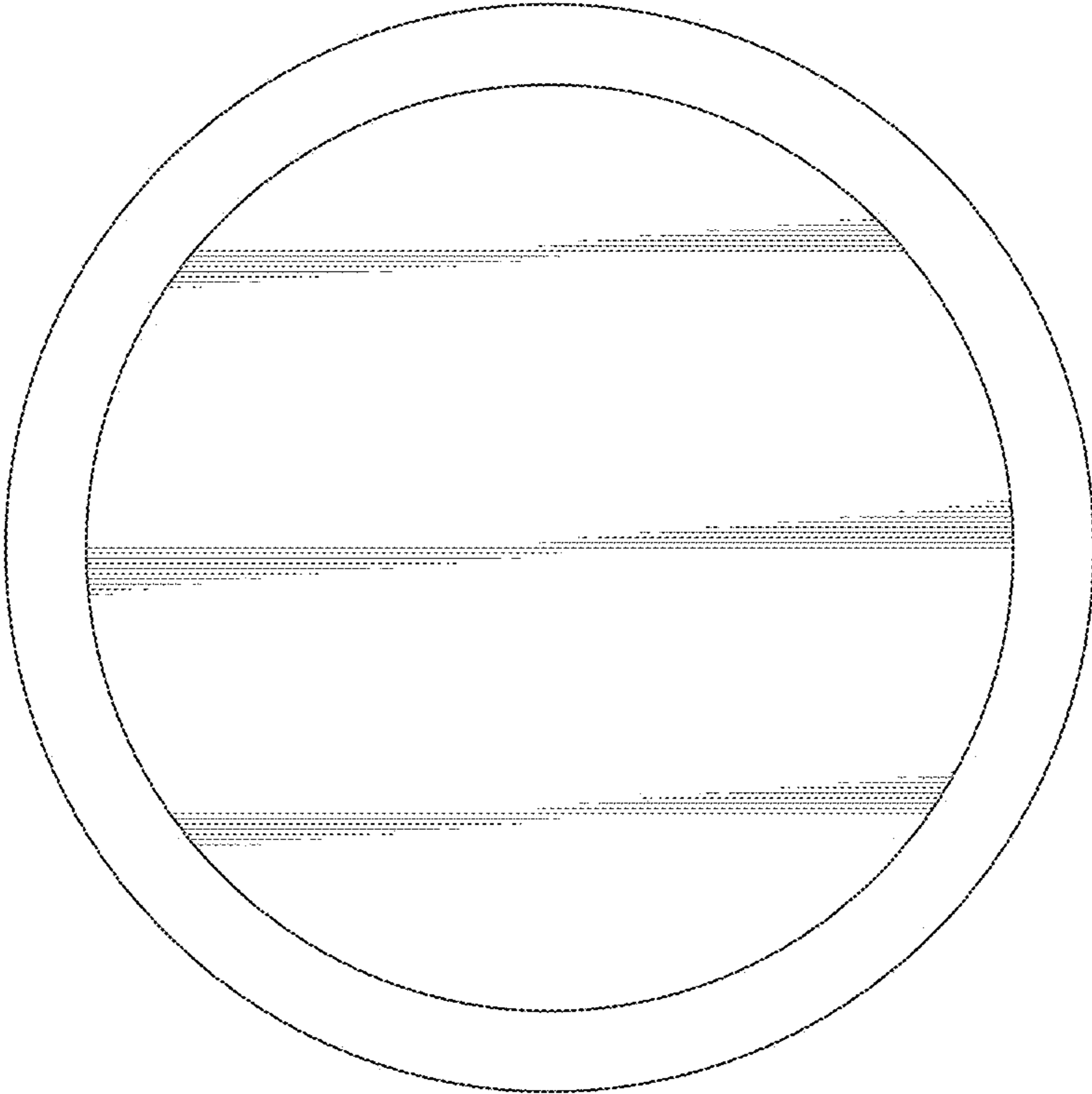


FIG. 3

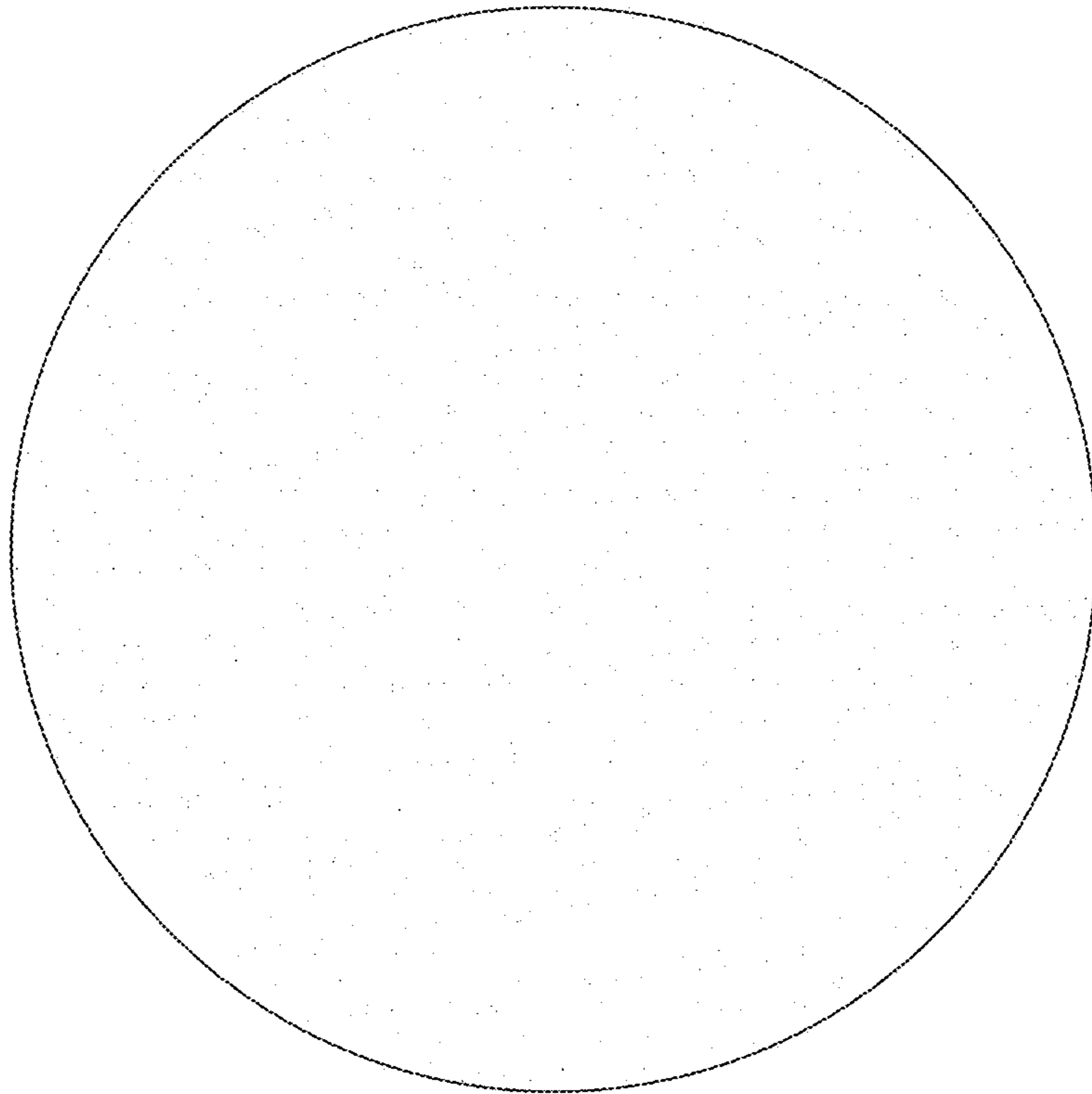


FIG. 4