

US00D969565S

(12) **United States Design Patent**
Byeon

(10) **Patent No.:** **US D969,565 S**

(45) **Date of Patent:** **** Nov. 15, 2022**

(54) **BOWL WITH FLANGED RIM**

(71) Applicant: **Dart Industries Inc.**, Orlando, FL (US)

(72) Inventor: **Dongjin Byeon**, Aalst (BE)

(73) Assignee: **Dart Industries Inc.**, Orlando, FL (US)

(**) Term: **15 Years**

(21) Appl. No.: **29/743,193**

(22) Filed: **Jul. 20, 2020**

(51) **LOC (13) Cl.** **07-01**

(52) **U.S. Cl.**
USPC **D7/587**

(58) **Field of Classification Search**
USPC D7/501, 610, 550.1, 554.1, 558, 500,
D7/587, 584, 629, 585, 586, 588, 554.2,
D7/630, 354, 543; 108/142; 220/574.3,
220/781; D9/416, 500, 429, 428;
206/505

CPC .. B65D 21/086; B65D 51/185; B65D 21/022;
B65D 43/0208; A47G 19/2283; A47G
19/03; A47G 19/02; A47J 43/0727; A47J
27/002

See application file for complete search history.

D373,932 S 9/1996 Onneweer
D383,646 S 9/1997 Jeppesen et al.
5,769,229 A * 6/1998 Address B65D 43/0212
206/508

D453,094 S * 1/2002 Maggard D7/584
6,796,430 B2 * 9/2004 Mercier B65D 21/0222
206/505

D509,106 S 9/2005 de Groote et al.
7,264,135 B2 * 9/2007 Savicki B65D 43/0208
206/509

D606,402 S * 12/2009 Diss D9/500
D606,403 S * 12/2009 Diss D9/500
D607,330 S * 1/2010 Diss D9/500
D613,127 S * 4/2010 Olivari D7/587
D621,664 S 8/2010 Heiberg et al.
D621,222 S 10/2010 Heiberg et al.
D632,527 S 2/2011 Oliveri et al.
D632,528 S 2/2011 Oliveri et al.
D641,211 S 7/2011 Oliveri et al.
D641,212 S 7/2011 Olivari et al.
D646,925 S * 10/2011 Okajima D7/354

(Continued)

Primary Examiner — Cynthia R Underwood
(74) *Attorney, Agent, or Firm* — Taylor J. Ross

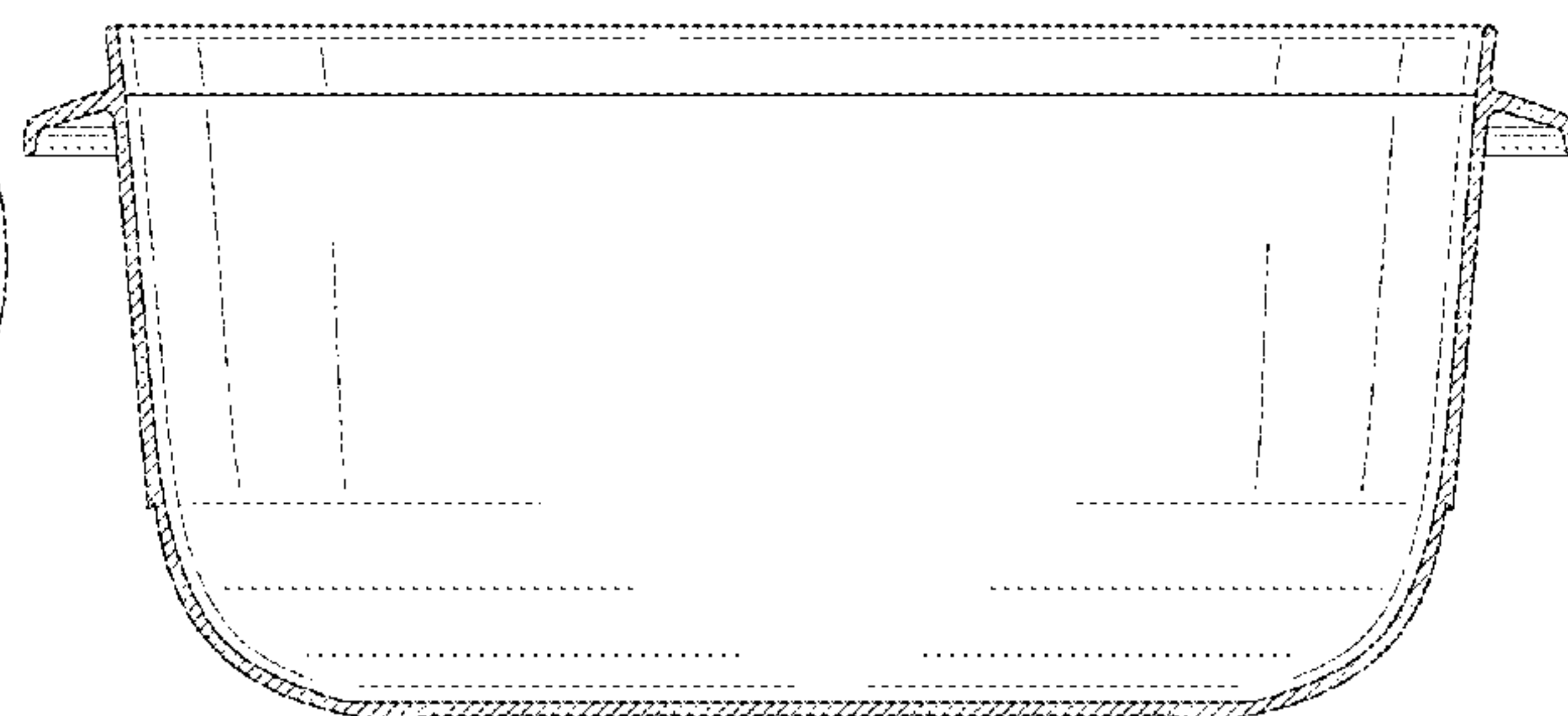
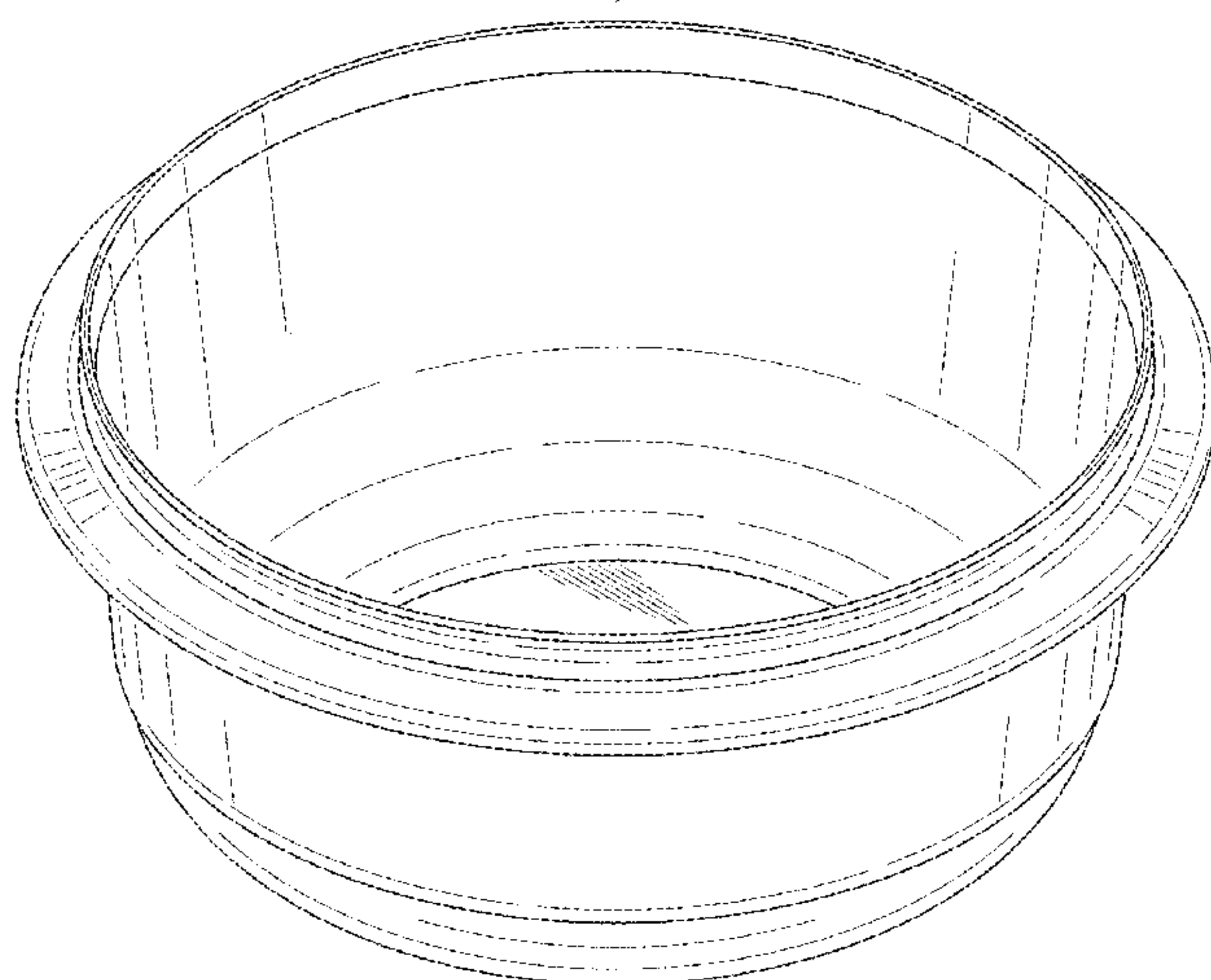
(57) **CLAIM**

The ornamental design for a bowl with flanged rim, as shown and described.

DESCRIPTION

FIG. 1 is a top, front and right side isometric view of a bowl with flanged rim showing my new design;
FIG. 2 is a bottom, rear and right side isometric view thereof;
FIG. 3 is a top plan view thereof;
FIG. 4 is a bottom plan view thereof;
FIG. 5 is a front elevation view, the rear, right and left side elevations being identical thereto; and,
FIG. 6 is a cross-sectional view taken along line 6-6 of FIG. 3.

1 Claim, 4 Drawing Sheets



(56)

References Cited

U.S. PATENT DOCUMENTS

D651,866 S *	1/2012	Smyers	D7/630
D685,263 S *	7/2013	Danenberg	D9/500
D689,730 S *	9/2013	Goto	D7/354
8,777,043 B2 *	7/2014	Furlong	B65D 21/022 206/508
D761,061 S *	7/2016	McConnell	D7/587
D823,642 S *	7/2018	Ribeiro-Ramalhosa	D7/543
D845,715 S *	4/2019	Brownell	D7/545
D862,988 S	10/2019	Wiggins et al.	
D915,828 S *	4/2021	Schiermeier	D7/554.2
D916,543 S *	4/2021	Cheng	D7/354
D921,414 S *	6/2021	Cheng	D7/354
D951,538 S *	5/2022	Raphael	D28/20

* cited by examiner

FIG. 1

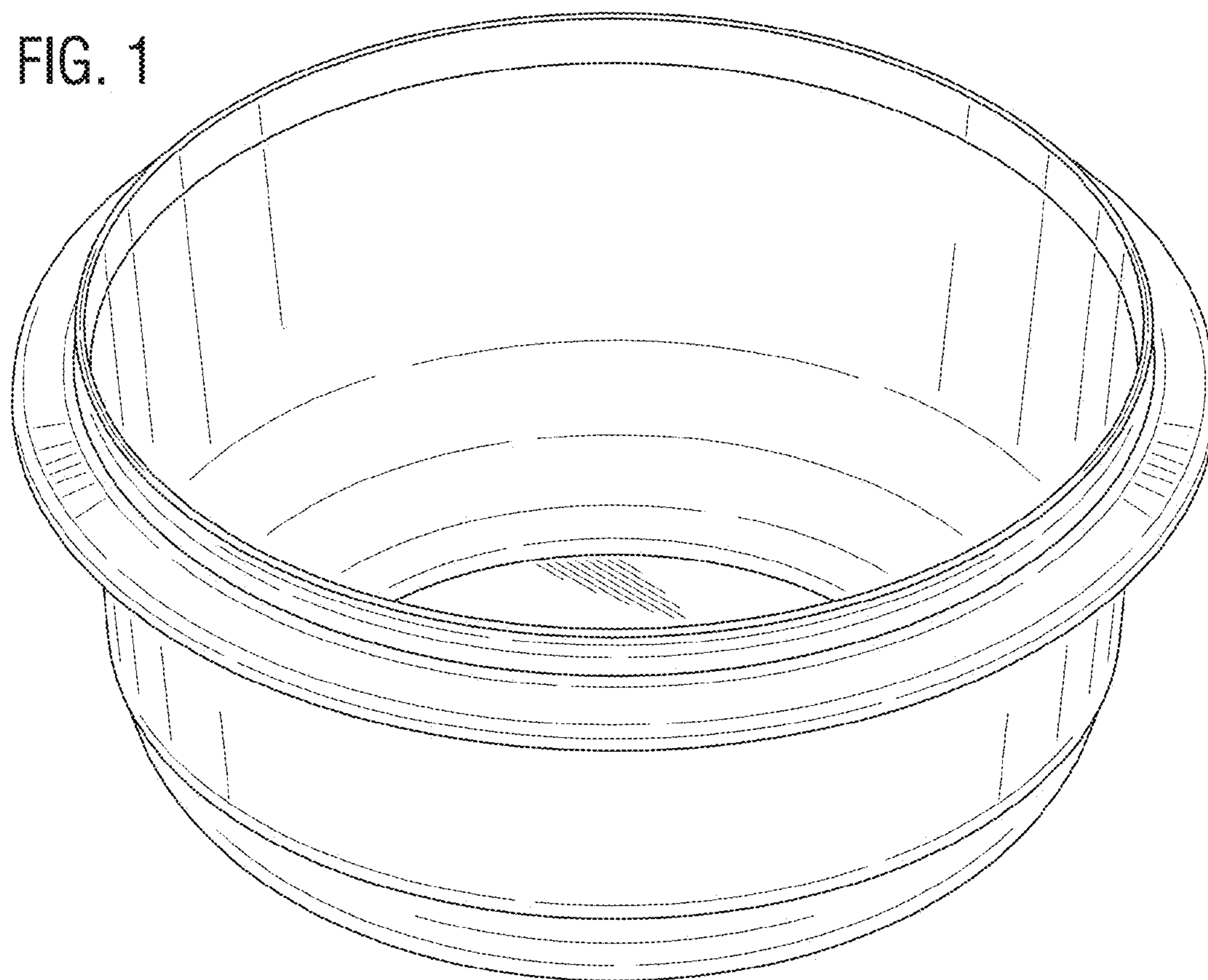


FIG. 2

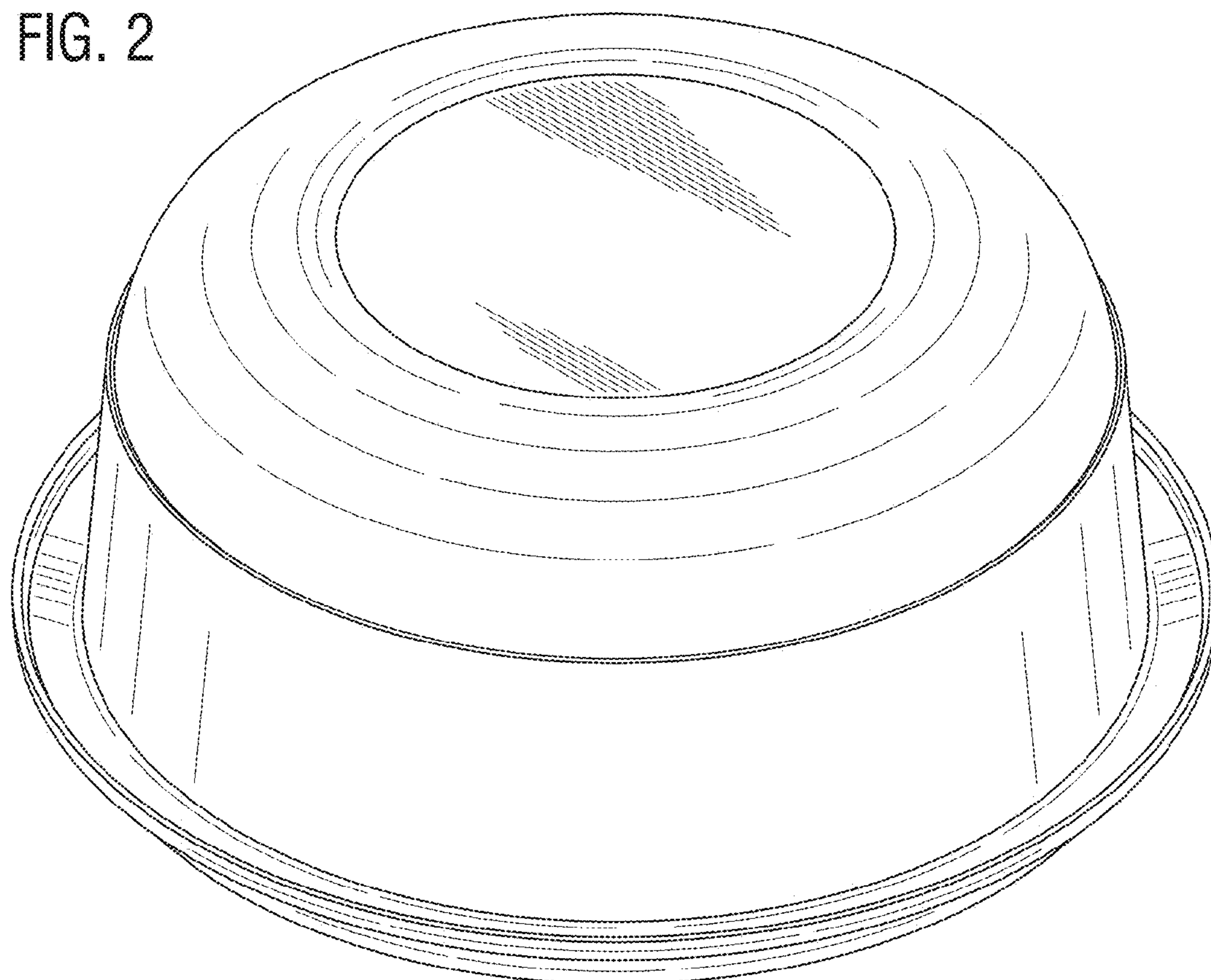


FIG. 3

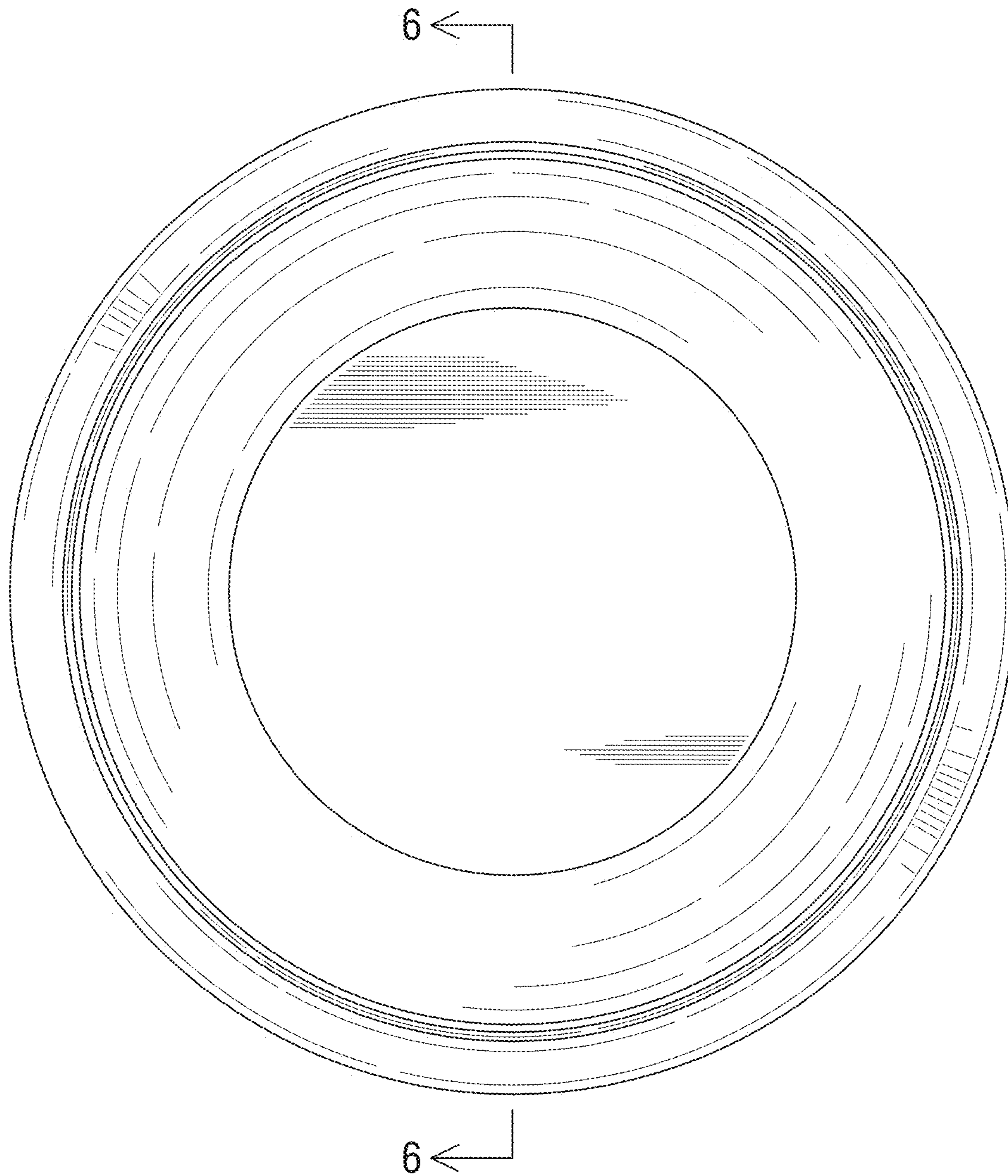


FIG. 4

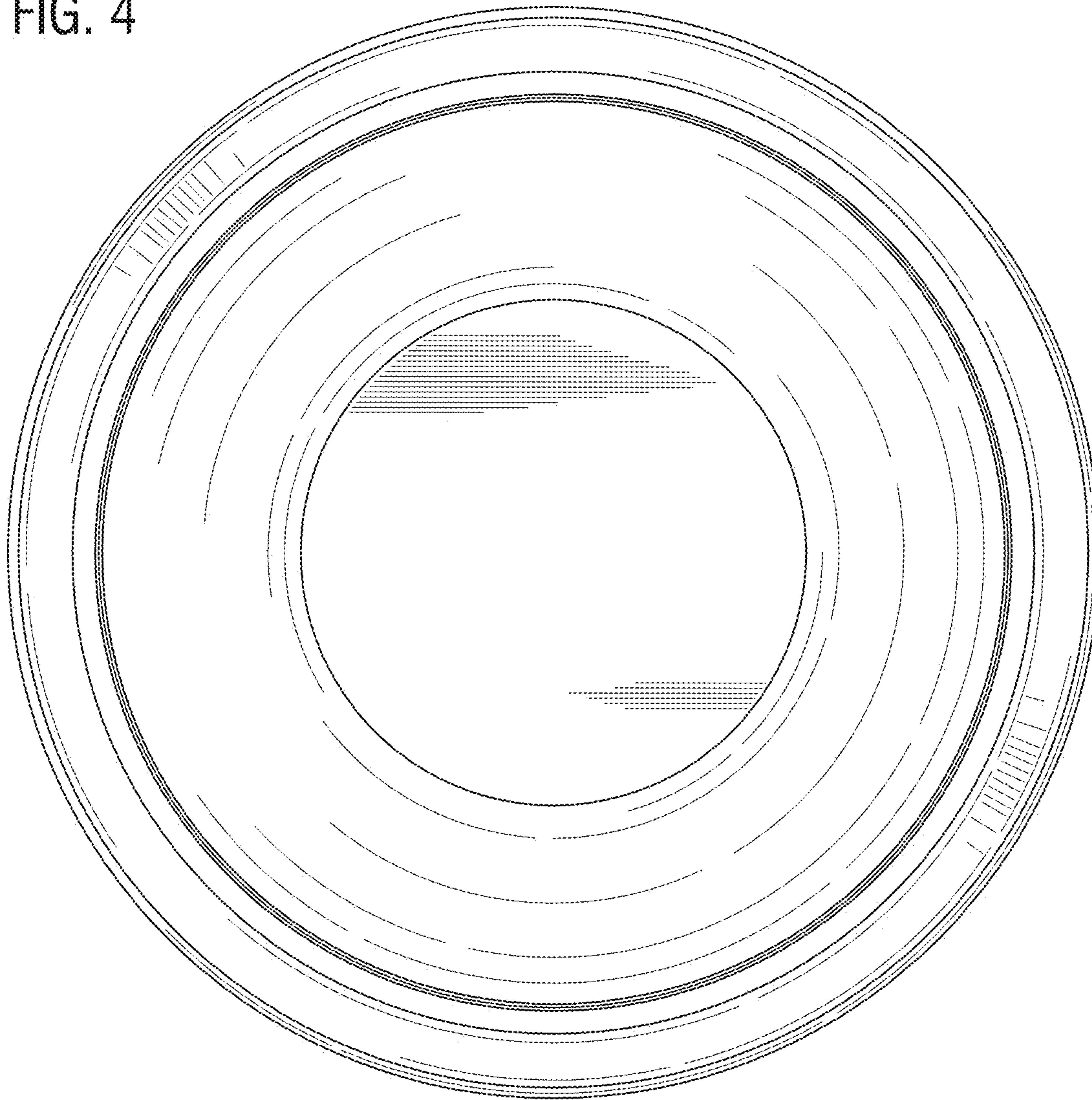


FIG. 5



FIG. 6

