



US00D969555S

(12) **United States Design Patent** (10) **Patent No.:** **US D969,555 S**
Aldous et al. (45) **Date of Patent:** **** Nov. 15, 2022**

(54) **TUMBLER WITH SLEEVE AND LID**

(71) Applicant: **Instant Brands Holdings Inc.**,
Downers Grove, IL (US)

(72) Inventors: **Tania Aldous**, Niles, IL (US); **Tyler Brunner**, Durand, WI (US)

(73) Assignee: **Instant Brands Holdings Inc.**,
Downers Grove, IL (US)

(**) Term: **15 Years**

(21) Appl. No.: **29/787,677**

(22) Filed: **Jun. 8, 2021**

(51) **LOC (13) Cl.** **07-01**

(52) **U.S. Cl.**
USPC **D7/507**; D7/523

(58) **Field of Classification Search**
USPC D7/507, 509, 510, 511, 523, 532, 392.1,
D7/396.2, 514, 515, 300, 300.1, 624.1,
D7/624.2, 387; D9/503, 504, 517, 434,
D9/557, 530; D8/38, 34; D20/15;
D21/391, 392
CPC A47G 19/22; A47G 19/2288; A47G
19/2205; A47G 19/2211; A47G 19/2216;
A47G 19/2222; A47G 19/2227; A47J
41/02; A47J 41/028

See application file for complete search history.

(56) **References Cited**

U.S. PATENT DOCUMENTS

D358,531 S * 5/1995 Cousins D9/504
D371,276 S * 7/1996 Laib D7/388
D489,578 S * 5/2004 Lai D7/624.1
D513,940 S * 1/2006 Kolflat D7/624.1
D622,546 S * 8/2010 Bodum D7/532
D623,474 S * 9/2010 Carlson D7/532
D623,476 S * 9/2010 Carlson D7/532
D640,094 S * 6/2011 Carlson D7/532

D641,209 S * 7/2011 Ablo D7/392.1
D648,985 S * 11/2011 Chiu D7/510
D658,443 S * 5/2012 Chiu D7/510
D669,736 S * 10/2012 Bodum D7/532
D705,609 S * 5/2014 Keyes D7/523
D723,871 S * 3/2015 Khubani D7/505
D734,993 S * 7/2015 Marina D7/624.1
D754,471 S * 4/2016 Caneer D7/392.1
D755,013 S * 5/2016 Khubani D7/507
D803,623 S * 11/2017 Bodum D7/532
D811,811 S * 3/2018 Wachter D7/392.1
D830,770 S * 10/2018 Verhoeven D7/532

(Continued)

OTHER PUBLICATIONS

<https://a.co/d/iJlId7A> W&P Jan. 18, 2019 (Year: 2019).*
<https://a.co/d/ipxu8ib> Jul. 7, 2019 (Year: 2019).*
<https://a.co/d/8Jr8zhb> Jun. 11, 2021 (Year: 2021).*

Primary Examiner — Jae Liang

(74) *Attorney, Agent, or Firm* — Crowell & Moring LLP

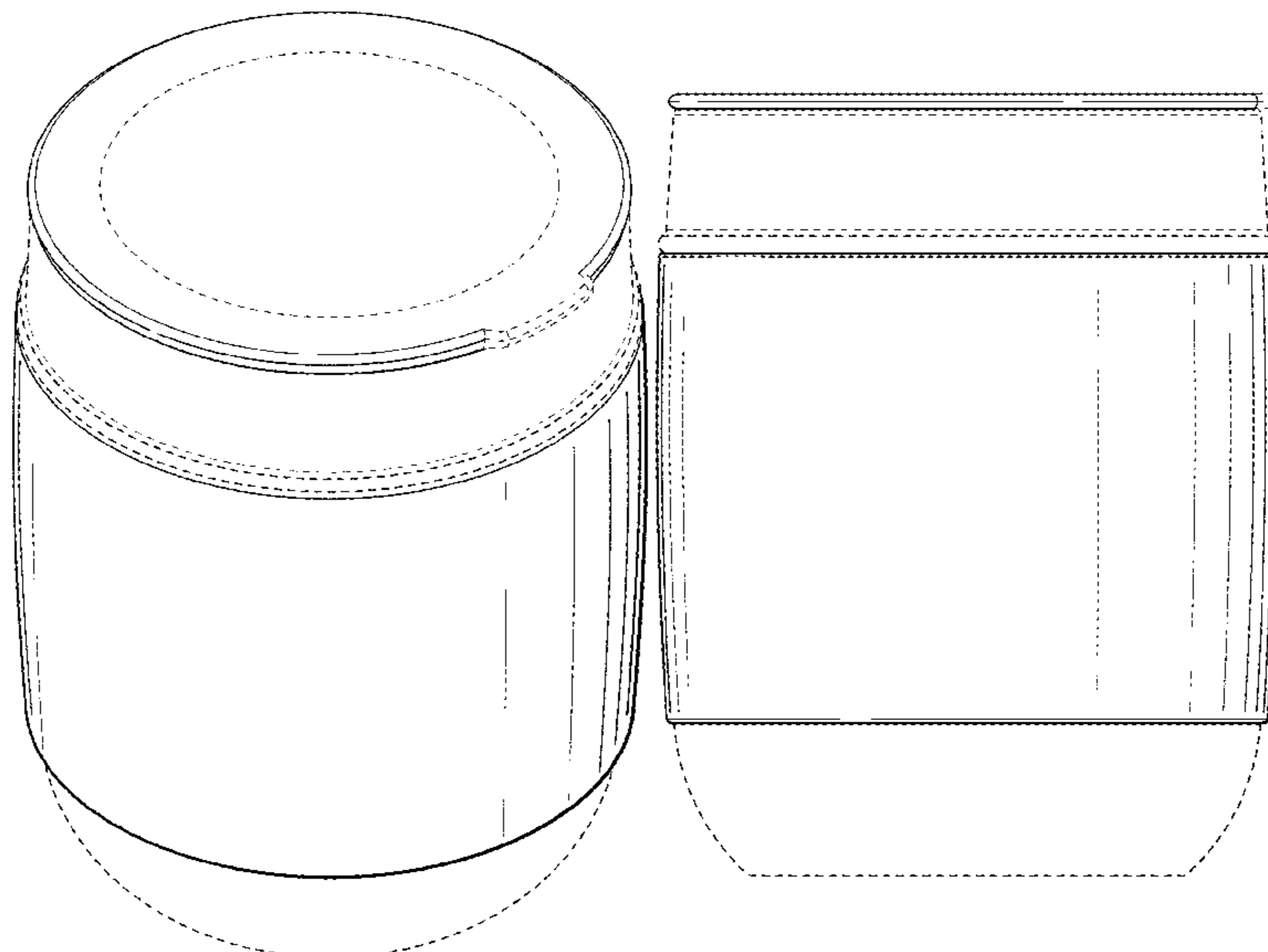
(57) **CLAIM**

The ornamental design for a tumbler with sleeve and lid, as shown and described.

DESCRIPTION

FIG. 1 is a perspective view of a tumbler with sleeve and lid showing our new design;
FIG. 2 is a front view thereof;
FIG. 3 is a right side view thereof;
FIG. 4 is a rear view thereof;
FIG. 5 is a left side view thereof;
FIG. 6 is a top view thereof;
FIG. 7 is a bottom view thereof;
FIG. 8 is an exploded view thereof; and,
FIG. 9 is a cross-sectional view of the tumbler with sleeve and lid taken along line 9-9 of FIG. 6.
The broken lines in the figures are for environmental purposes only and do not form any part of the claimed design.

1 Claim, 8 Drawing Sheets



(56)

References Cited

U.S. PATENT DOCUMENTS

D836,406 S * 12/2018 Roberts D7/624.2
D849,469 S * 5/2019 Hazelton D7/391
D850,848 S * 6/2019 Wachter D7/392.1
D858,196 S * 9/2019 Graham D7/400
D873,617 S * 1/2020 Egorov D7/532
D880,934 S * 4/2020 Kellermann D7/392.1
D920,793 S * 6/2021 Hawry D9/503
D925,358 S * 7/2021 Herman D9/500
D927,934 S * 8/2021 Jianyi D7/624.2
D948,947 S * 4/2022 Schoenmakers D7/509
2022/0176328 A1 * 6/2022 Kornacki B01F 23/23761

* cited by examiner

FIG. 1

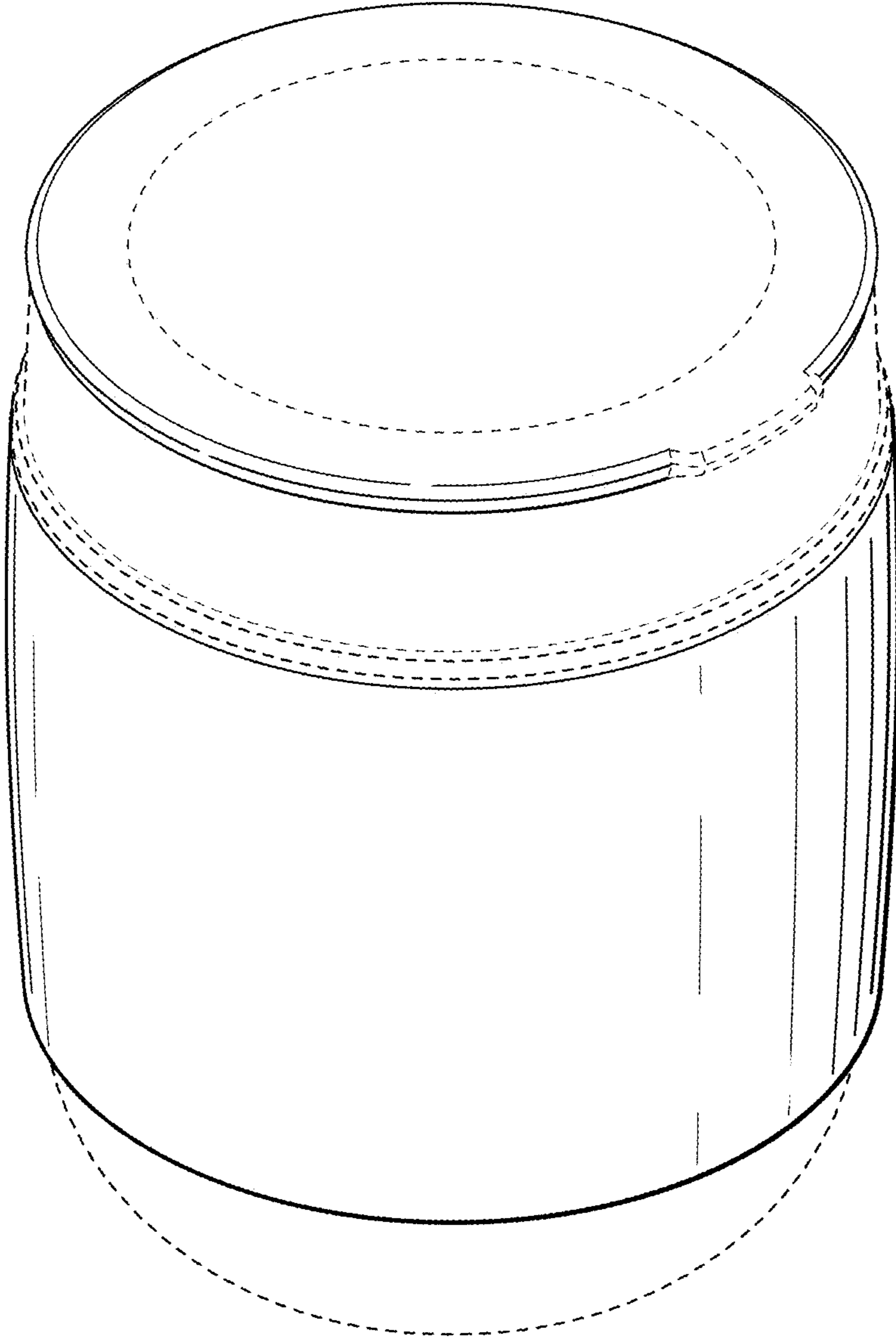


FIG. 2

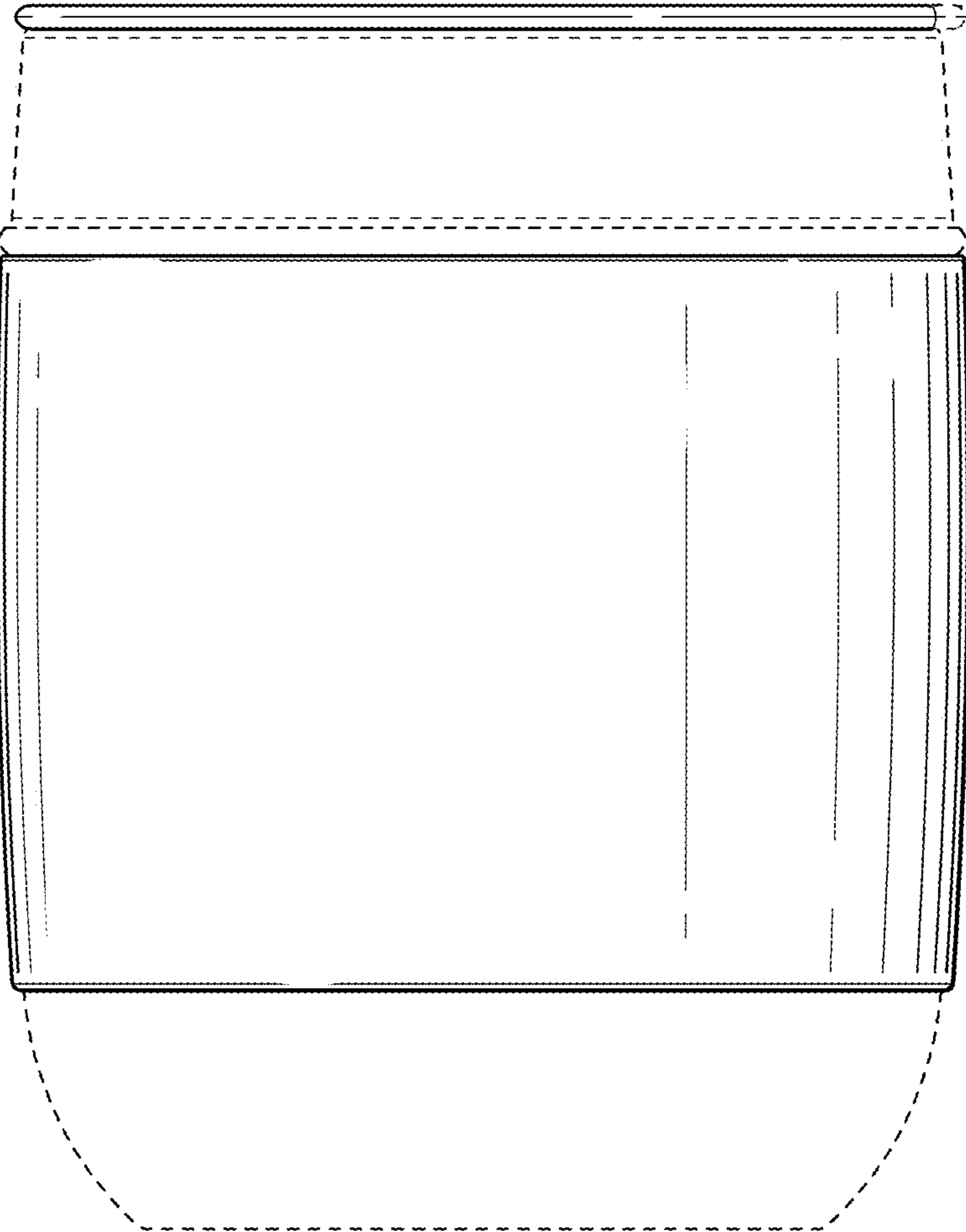


FIG. 3

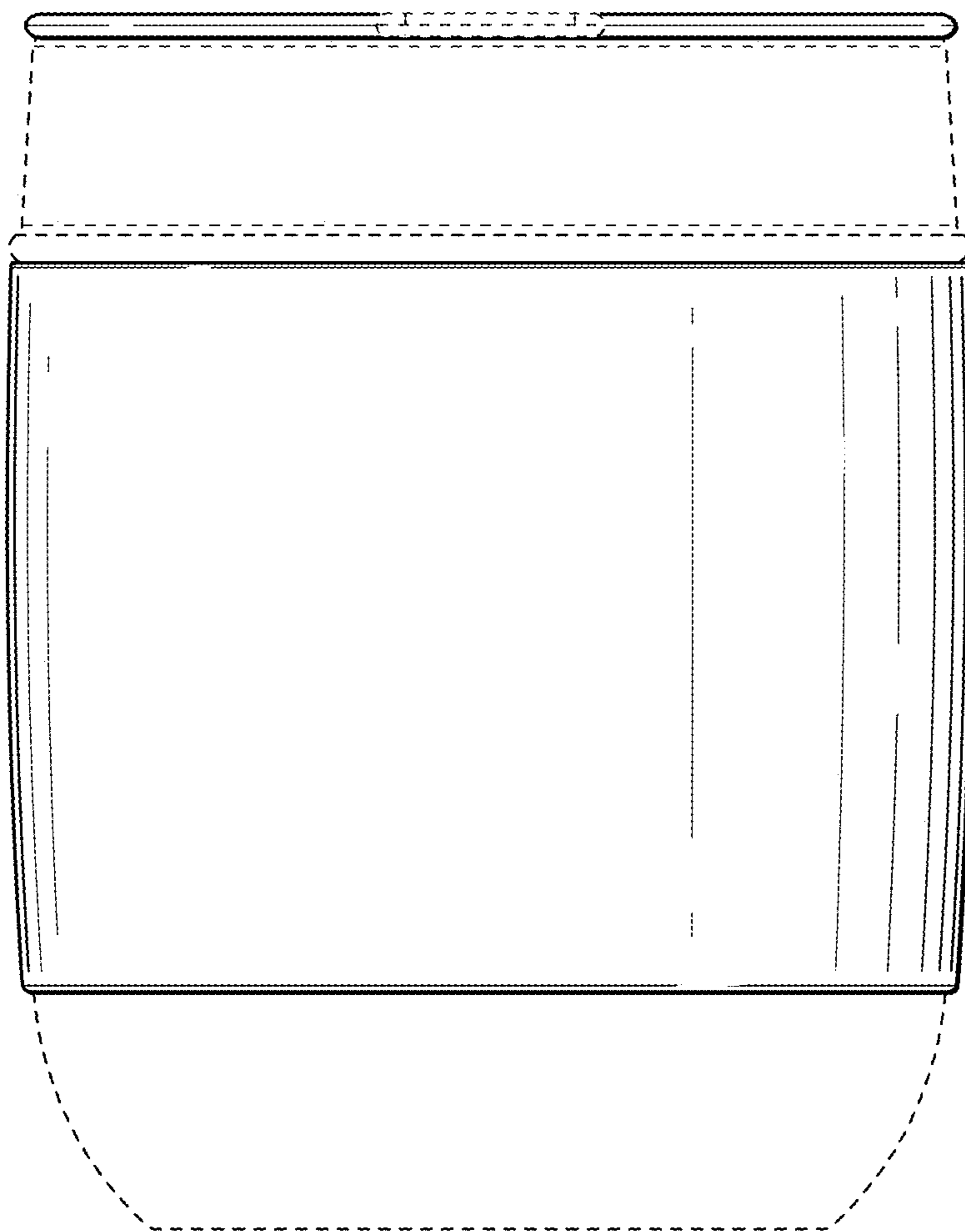


FIG. 4

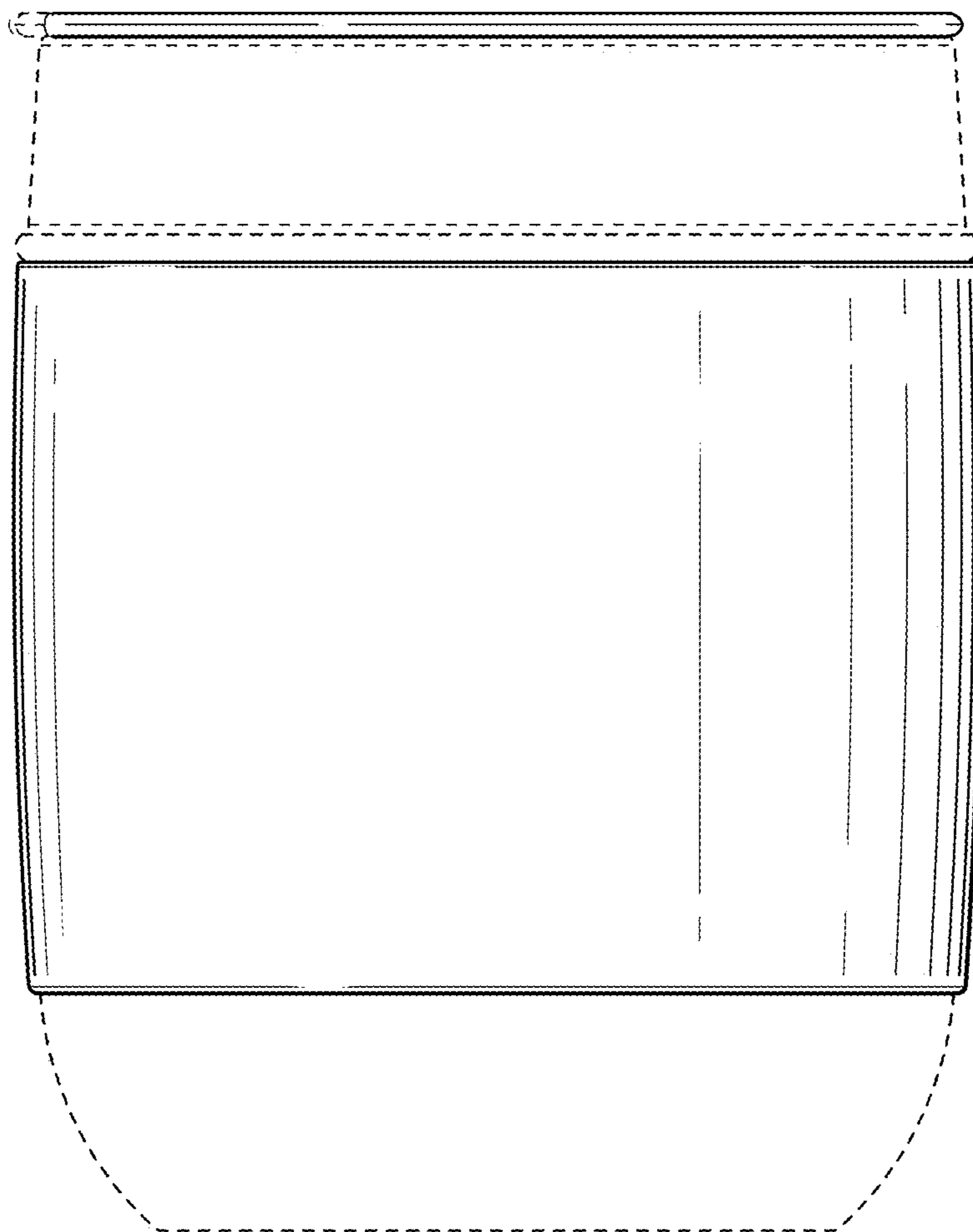


FIG. 5

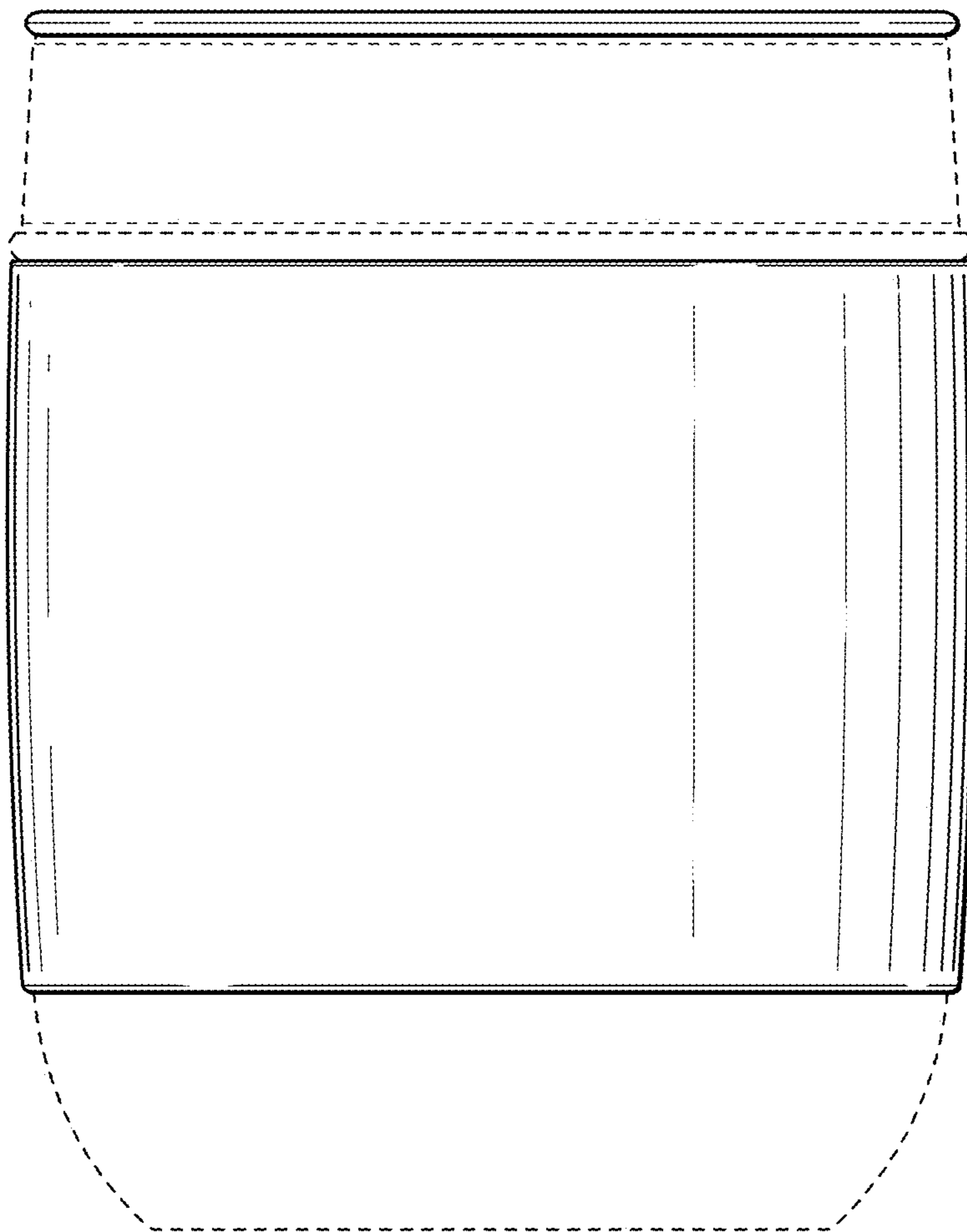


FIG. 6

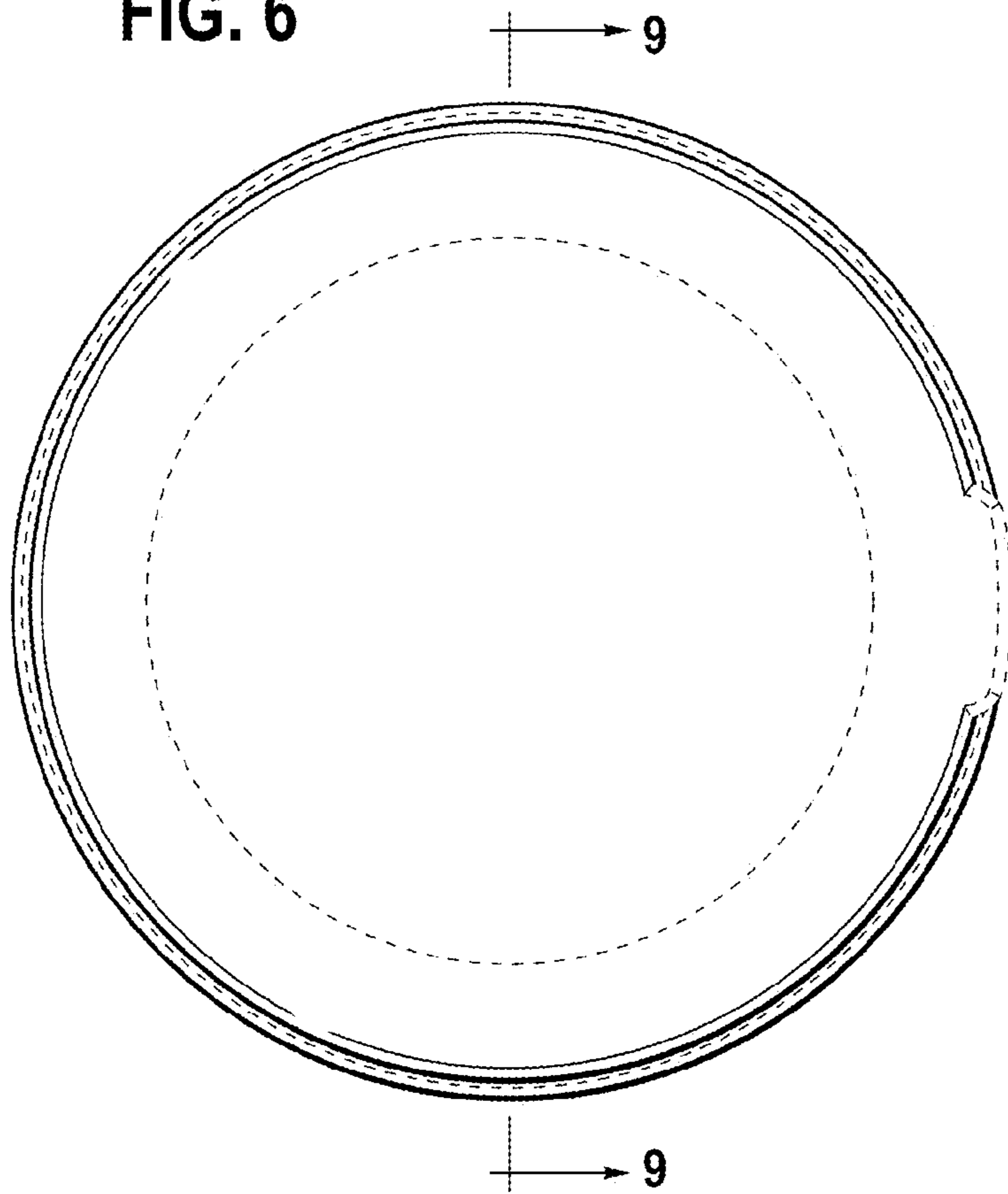


FIG. 7

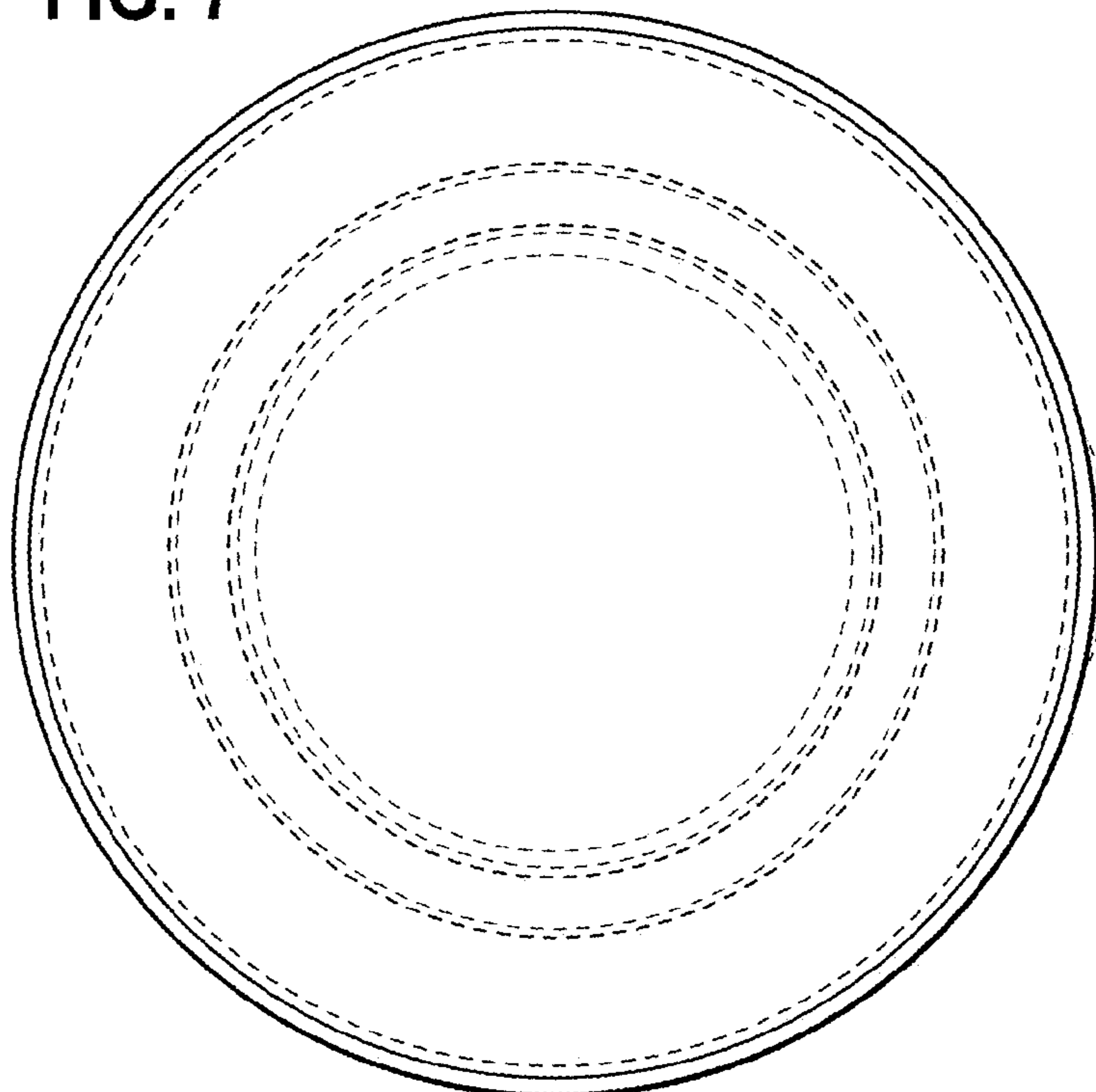


FIG. 8

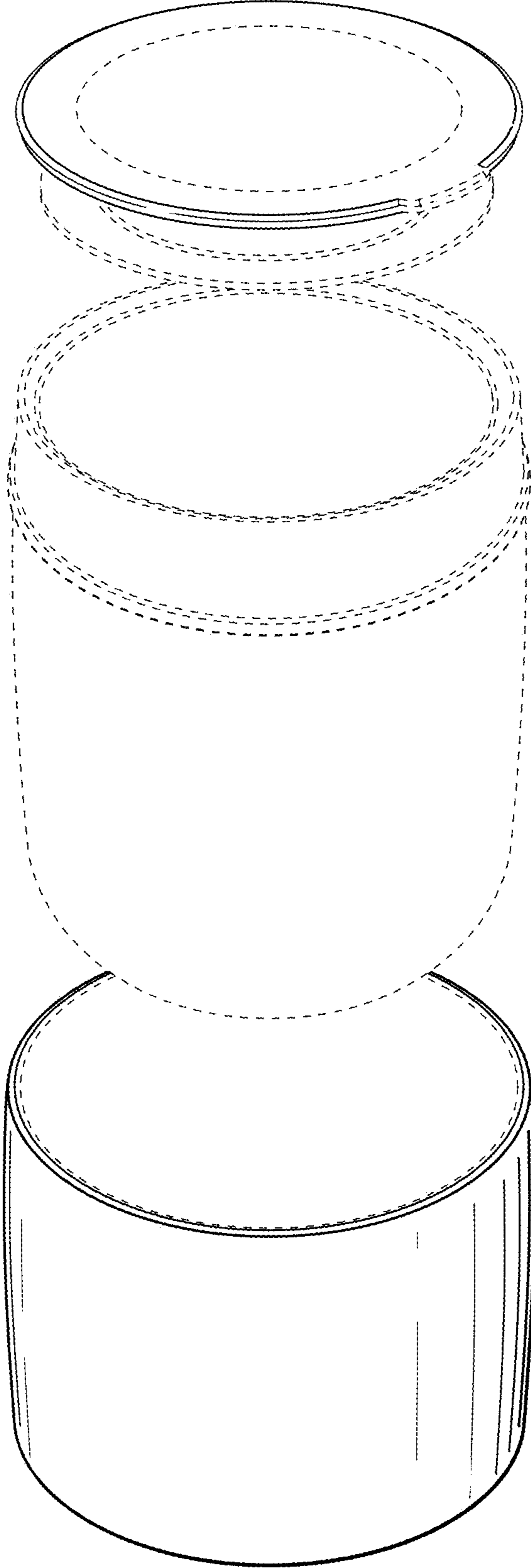


FIG. 9

