



US00D969554S

(12) **United States Design Patent**  
**Frisari et al.**

(10) **Patent No.:** **US D969,554 S**

(45) **Date of Patent:** **\*\* Nov. 15, 2022**

(54) **MUG**

D458,866 S \* 6/2002 Priest Salmond ..... D10/116.1  
D602,733 S \* 10/2009 Huber ..... D7/388  
D949,626 S \* 4/2022 Andrew ..... D7/392.1

(71) Applicant: **NuOp Design**, New York, NY (US)

(72) Inventors: **Frank Frisari**, New York, NY (US);  
**John McCoy**, New York, NY (US)

(73) Assignee: **NuOp Design**, New York, NY (US)

(\*\*) Term: **15 Years**

(21) Appl. No.: **29/754,017**

(22) Filed: **Oct. 6, 2020**

(51) **LOC (13) Cl.** ..... **07-01**

(52) **U.S. Cl.**  
USPC ..... **D7/507**; D10/118.1

(58) **Field of Classification Search**  
USPC ..... D7/507, 509, 510, 511, 523, 531, 532,  
D7/608, 392.1, 396.2, 396.3, 387, 388,  
D7/389, 213, 633, 631, 394, 393, 535,  
D7/536, 514, 515; D9/500, 501, 502,  
D9/447, 434, 543, 542; D3/202;  
D21/390, 386; D11/26; D10/46.2, 118,  
D10/118.1, 118.2; D8/302, 331, 343  
CPC .... A47G 19/22; A47G 19/25; A47G 19/2272;  
A47G 19/2288; A61J 9/00; A47J 41/02  
See application file for complete search history.

(56) **References Cited**

**U.S. PATENT DOCUMENTS**

D258,809 S \* 4/1981 Halburian ..... D17/22  
D431,160 S \* 9/2000 Stadler, II ..... D7/515

**OTHER PUBLICATIONS**

[https://www.amazon.com/Astarin-Chimes-Outdoor-Memorial-Decoration/dp/B07R4729WN/ref=sr\\_1\\_10?crd=35RFCA5Y6XF7J&keywords=8%2Btubes%2Bwind%2Bchimes&qid=1648674242&s=lawn-garden&sprefix=8%2Btubes%2Bwind%2Bchims%2B%2C126&sr=1-10&th=1](https://www.amazon.com/Astarin-Chimes-Outdoor-Memorial-Decoration/dp/B07R4729WN/ref=sr_1_10?crd=35RFCA5Y6XF7J&keywords=8%2Btubes%2Bwind%2Bchimes&qid=1648674242&s=lawn-garden&sprefix=8%2Btubes%2Bwind%2Bchims%2B%2C126&sr=1-10&th=1) (Year: 2019).\*

[https://www.amazon.com/Mallets-Percussion-Sticks-Xylophone-Glockenspiel/dp/B07F5HMXYF?language=en\\_US](https://www.amazon.com/Mallets-Percussion-Sticks-Xylophone-Glockenspiel/dp/B07F5HMXYF?language=en_US) Jun. 30, 2018 (Year: 2018).\*

\* cited by examiner

*Primary Examiner* — Jae Liang

(74) *Attorney, Agent, or Firm* — Collard & Roe, P.C.

(57) **CLAIM**

The ornamental design for a mug, as shown and described.

**DESCRIPTION**

FIG. 1 is a front, left side and top perspective view of a mug, showing our new design;

FIG. 2 is a front view thereof;

FIG. 3 is a left side view thereof;

FIG. 4 is a rear view thereof;

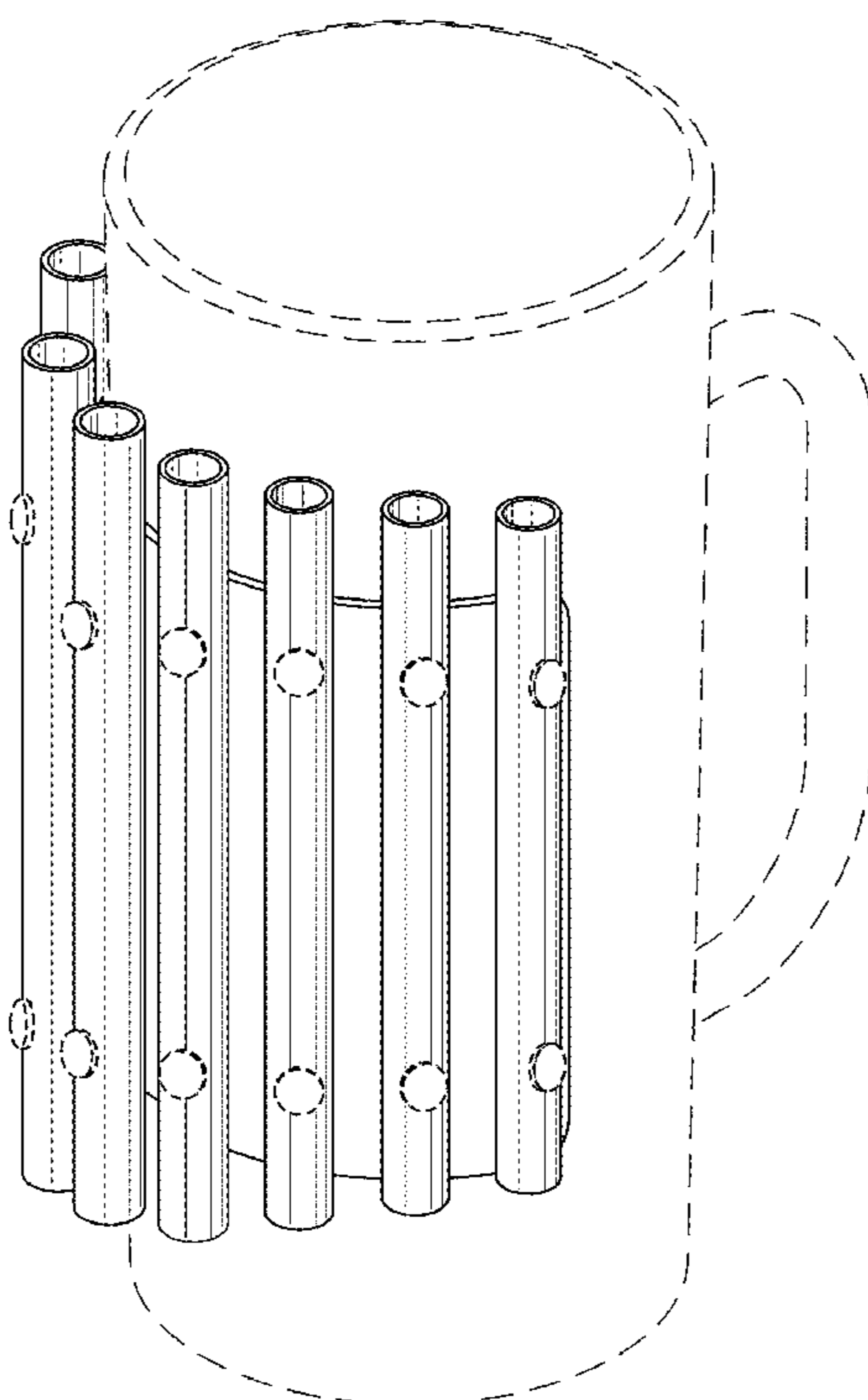
FIG. 5 is a right side view thereof;

FIG. 6 is a top view thereof; and,

FIG. 7 is a bottom view thereof.

The features shown in broken lines depict portions of the mug that form no part of the claimed design.

**1 Claim, 6 Drawing Sheets**



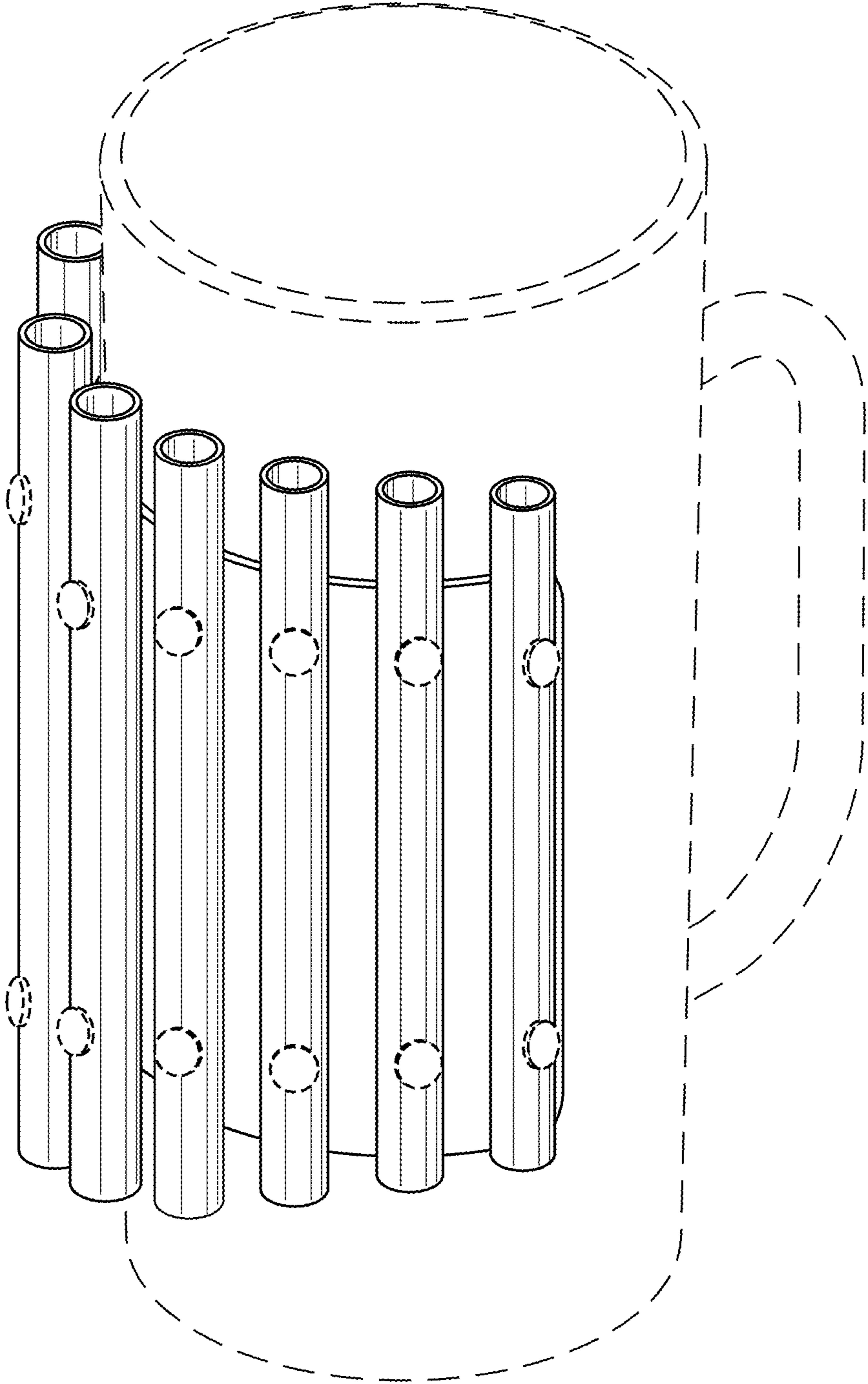


FIG. 1

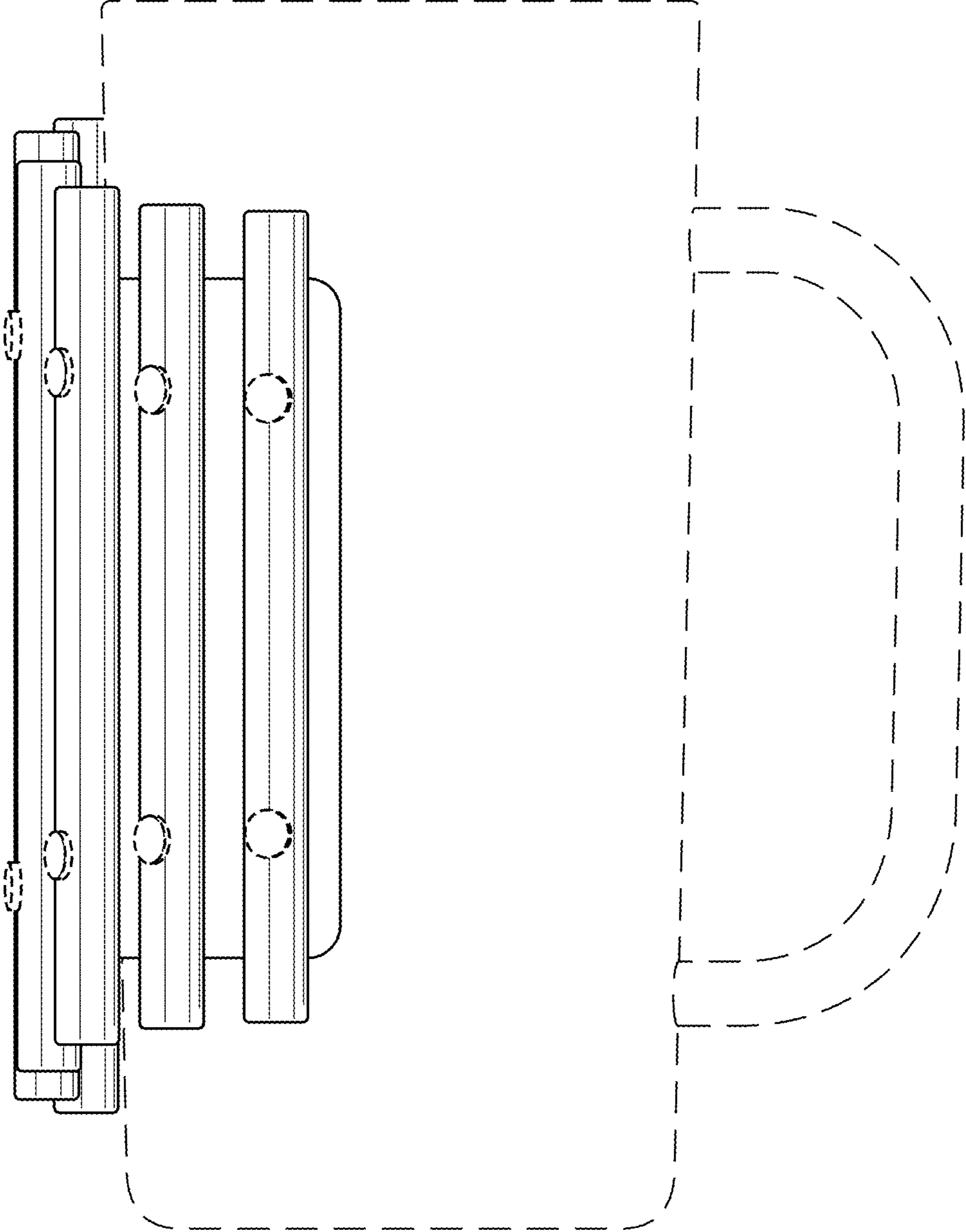


FIG. 2

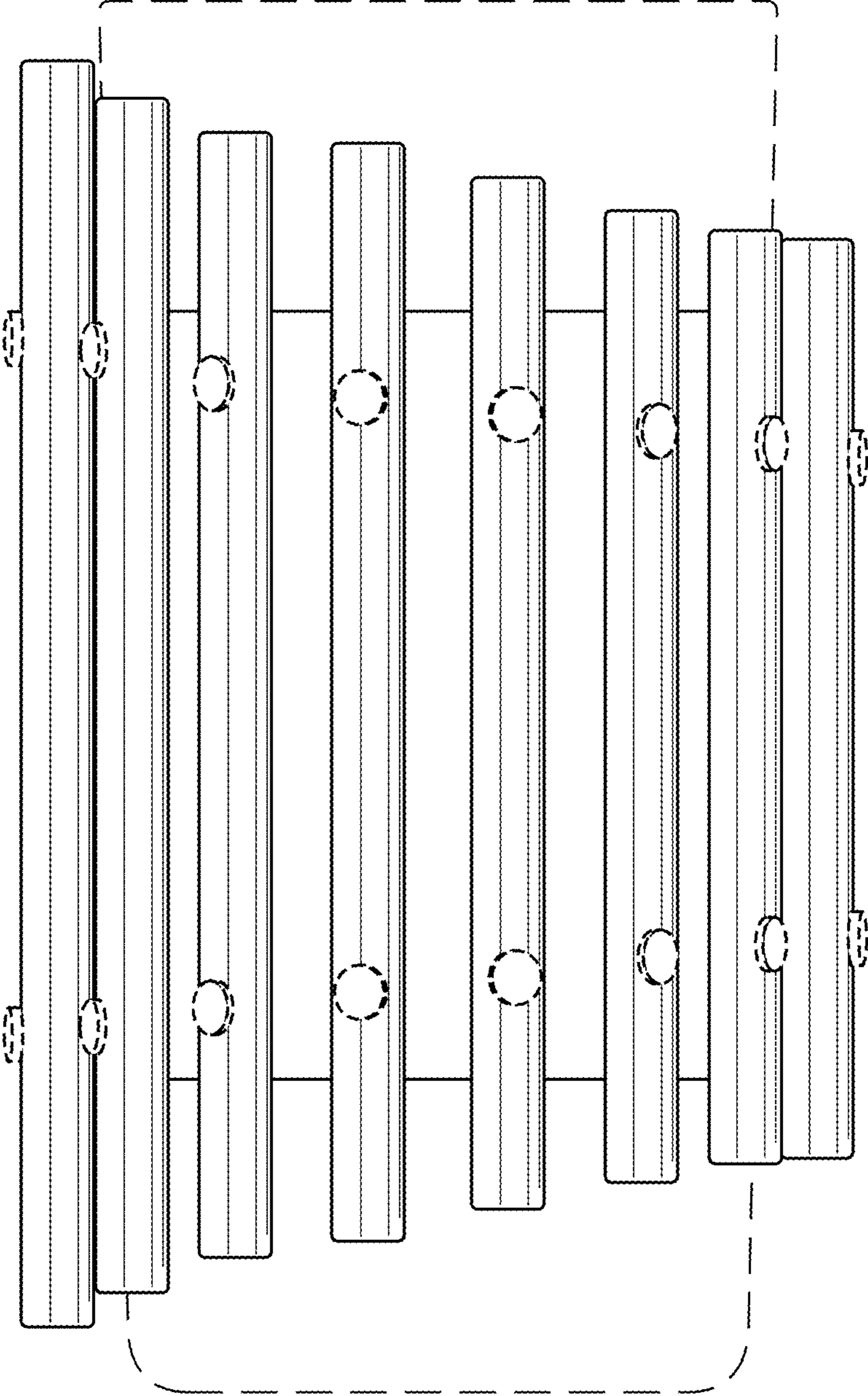


FIG. 3

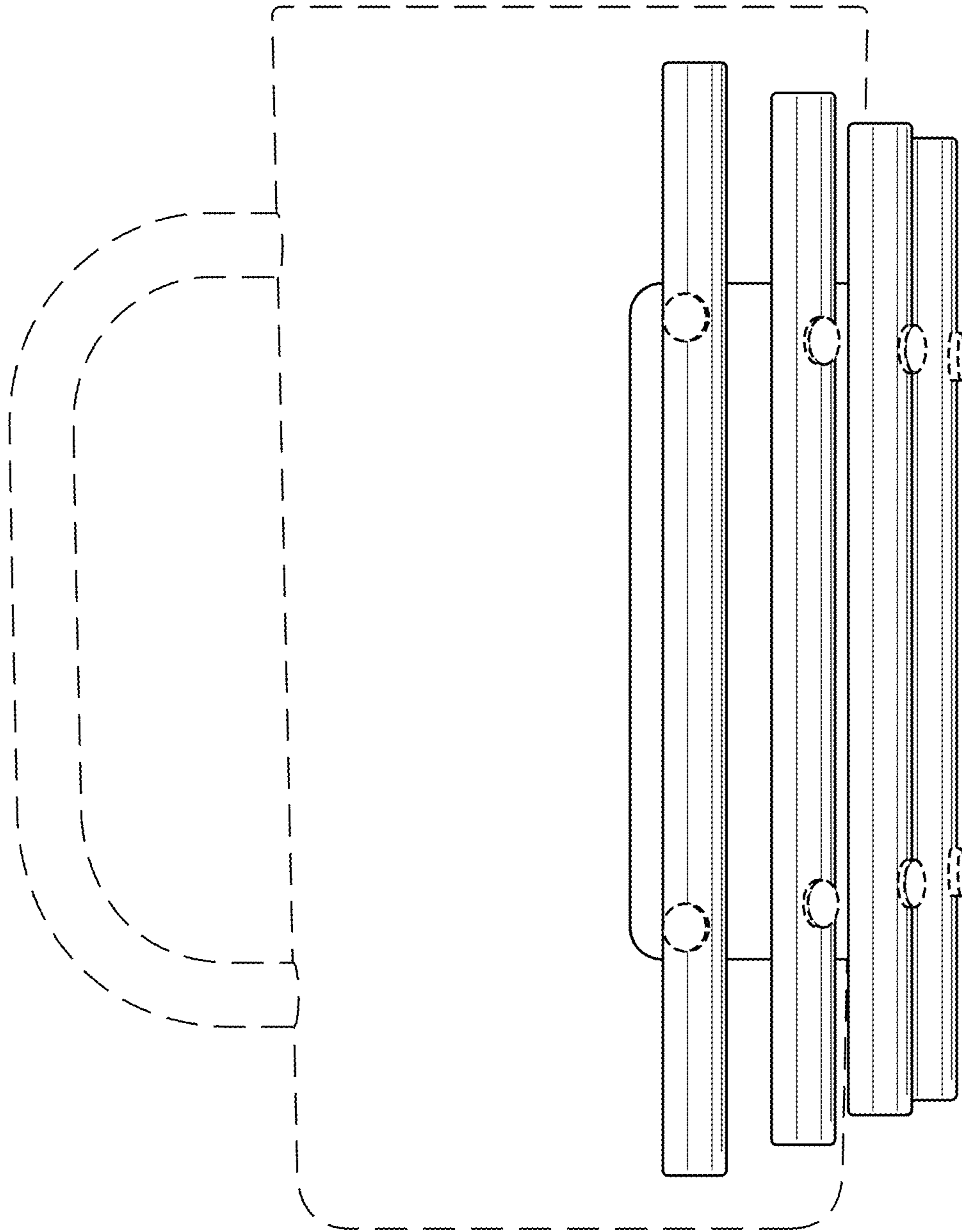


FIG. 4

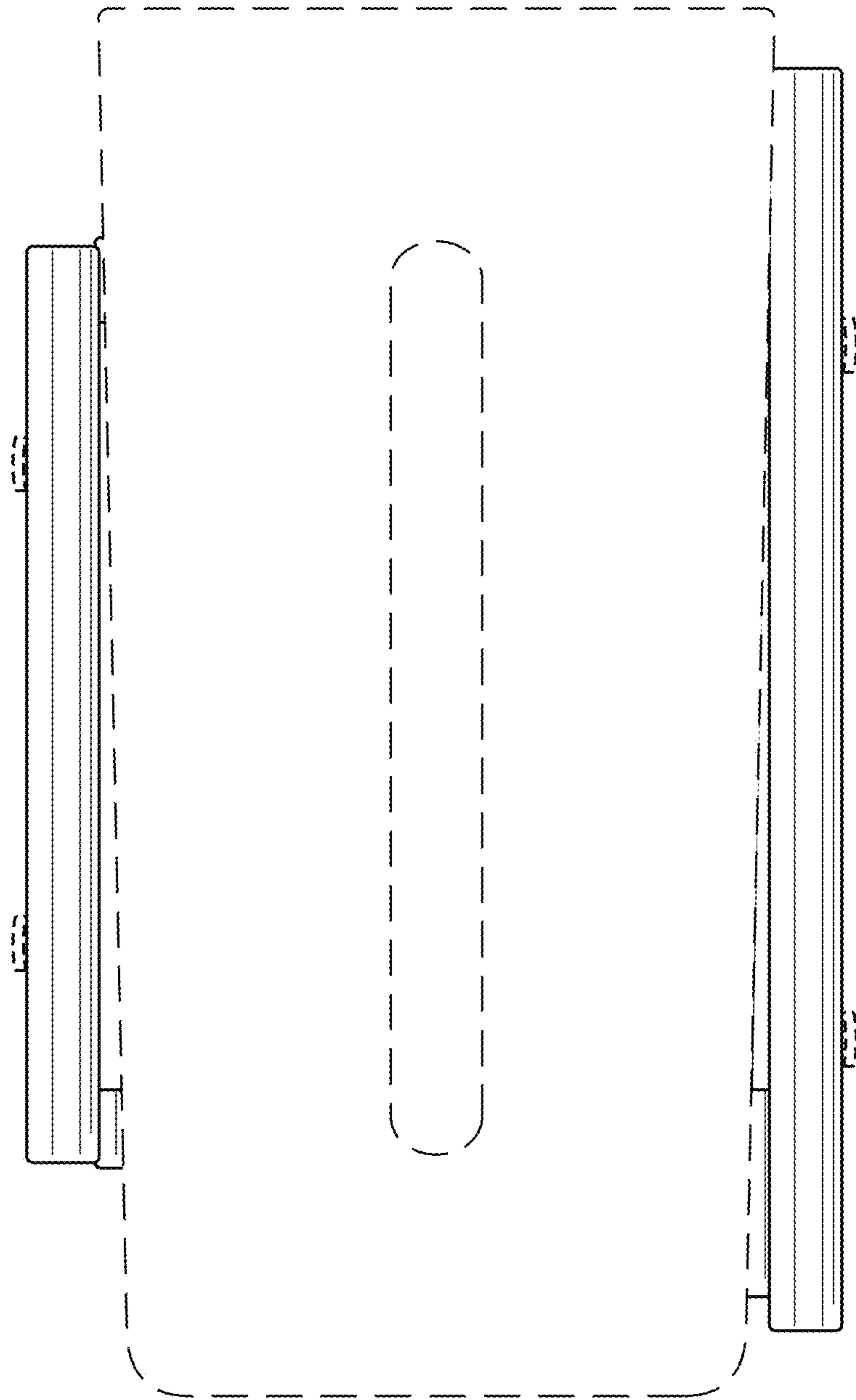


FIG. 5

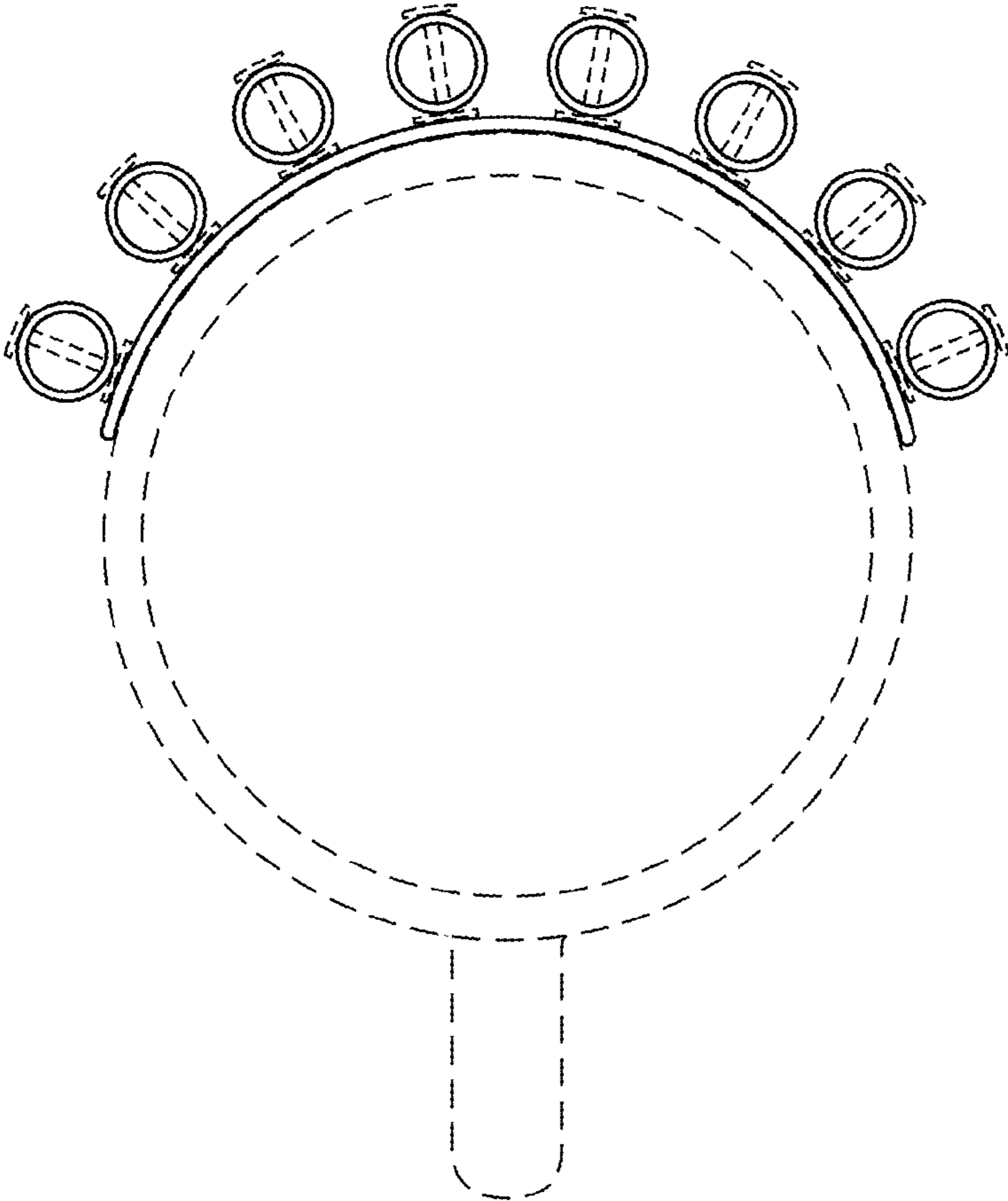


FIG. 6

FIG. 7

