

US00D969551S

(12) **United States Design Patent** (10) **Patent No.:** **US D969,551 S**  
**Olsen et al.** (45) **Date of Patent:** **\*\* Nov. 15, 2022**

(54) **FRY RACK**  
(71) Applicant: **Lagom Kitchen Co.**, Culver City, CA (US)  
(72) Inventors: **Melinda Olsen**, Los Angeles, CA (US); **Amir Tehrani**, Los Angeles, CA (US); **Christopher Santone**, Brooklyn, NY (US); **Hlynur Atlason**, New York, NY (US)

D347,354 S \* 5/1994 Naft ..... D7/354  
5,839,361 A \* 11/1998 Richter ..... A47J 37/0694  
126/41 R  
D407,598 S \* 4/1999 Deni ..... D7/352  
6,644,176 B2 \* 11/2003 Prip ..... A47J 43/18  
99/395  
D620,312 S \* 7/2010 Jendrass ..... D7/408  
D663,162 S \* 7/2012 Lewis ..... D7/408  
D731,231 S \* 6/2015 Steininger ..... D7/354  
D770,221 S \* 11/2016 Lee ..... D7/409

(Continued)

(73) Assignee: **Lagom Kitchen Co.**, Culver City, CA (US)

**OTHER PUBLICATIONS**

(\*\*) Term: **15 Years**

Kamado Joe Half Moon Cast Iron Grate Classic Joe, Amazon [online], date first available Jan. 22, 2015, [retrieved on Jul. 11, 2022]. Retrieved from the Internet, URL: <https://www.amazon.co.uk/Kamado-Joe-KJ-HCICG-Classic-Cooking/dp/B00MV9YQRG>.\*

(Continued)

(21) Appl. No.: **29/776,647**

(22) Filed: **Mar. 31, 2021**

(51) **LOC (13) Cl.** ..... **07-02**

(52) **U.S. Cl.**  
USPC ..... **D7/408**

*Primary Examiner* — Nicole C Shiflet

(74) *Attorney, Agent, or Firm* — Banner & Witcoff, Ltd.

(58) **Field of Classification Search**  
USPC ..... D7/402–409, 339–340, 346–349, D7/328–329, 332–334, 337, 390, 396.6, D7/354, 355, 336, 388–389, 350.4, 350.1, D7/351, 363, 352, 359, 362; D23/338, D23/415; D22/112  
CPC .. A47J 37/0704; A47J 37/0763; A47J 37/108; A47J 36/26; A47J 37/0623; A47J 37/0629; A47J 37/0664; A47J 37/067; A47J 37/0694; F24C 3/14; F24C 15/107; F24C 7/087; F24C 15/16; F24C 15/22; F24C 15/162

See application file for complete search history.

(57) **CLAIM**

The ornamental design for a fry rack, as shown and described.

**DESCRIPTION**

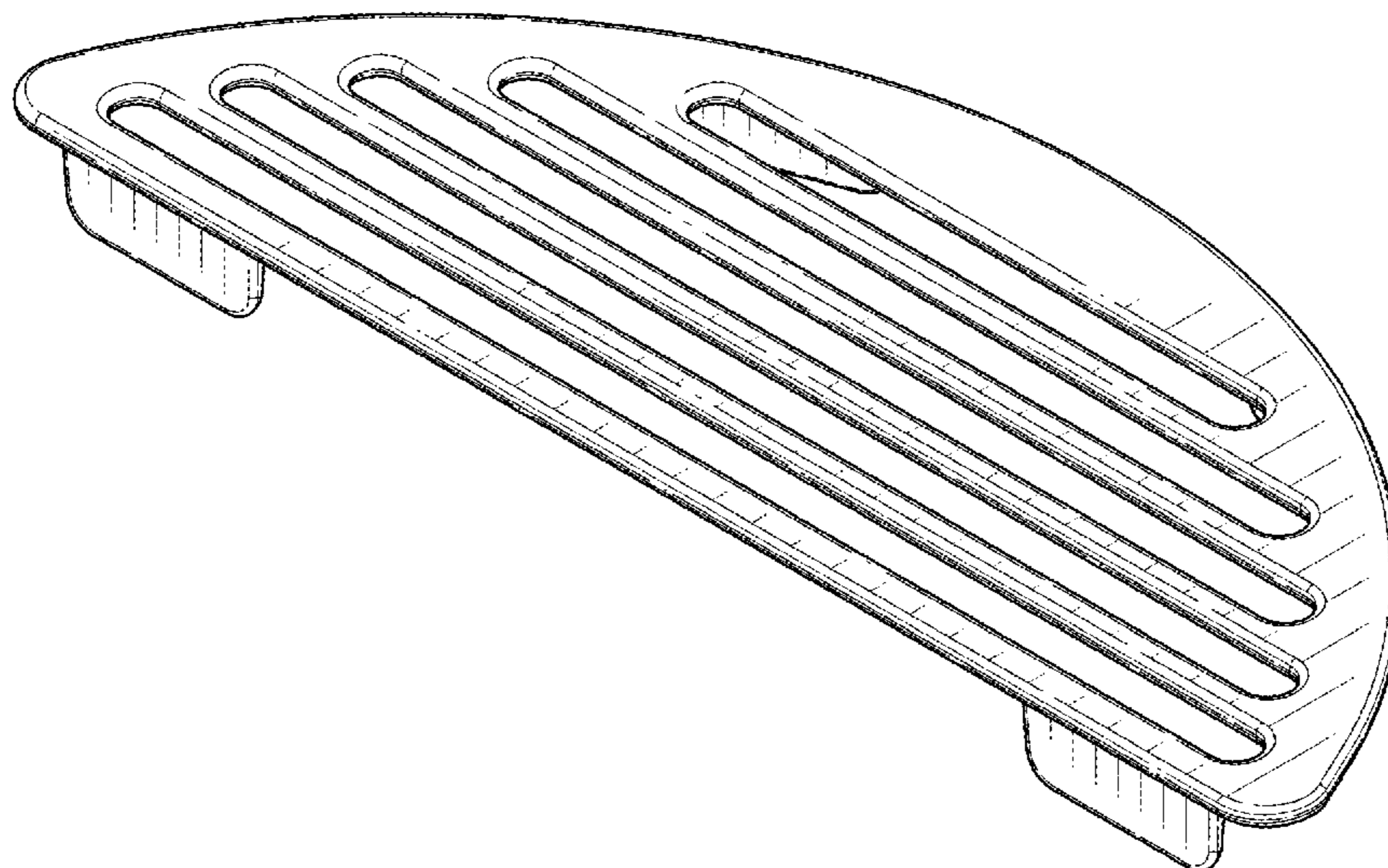
FIG. 1 is a perspective view of a fry rack showing our design;  
FIG. 2 is a front elevation view thereof;  
FIG. 3 is a rear elevation view thereof;  
FIG. 4 is a left side elevation view thereof;  
FIG. 5 is a right side elevation view thereof;  
FIG. 6 is a top view thereof;  
FIG. 7 is a bottom view thereof; and,  
FIG. 8 is a perspective view in a use condition.  
The dotted lines in FIG. 8 represent environment that forms no part of the claimed design.

(56) **References Cited**

**U.S. PATENT DOCUMENTS**

D183,086 S \* 6/1958 Collins ..... 126/9 B  
D284,543 S \* 7/1986 Huis ..... D7/409  
4,976,252 A \* 12/1990 Cianciola ..... A47J 37/01  
126/41 R

**1 Claim, 4 Drawing Sheets**



(56)

**References Cited**

U.S. PATENT DOCUMENTS

D772,648 S \* 11/2016 Palermo ..... D7/367  
D871,139 S \* 12/2019 Peterson ..... D7/409

OTHER PUBLICATIONS

Fry Deck, Our Place [online], earliest review date Mar. 30, 2022,  
[retrieved on Jul. 11, 2022]. Retrieved from the Internet, URL:  
<https://fromourplace.com/products/fry-deck?variant=41505324564674>.\*

\* cited by examiner

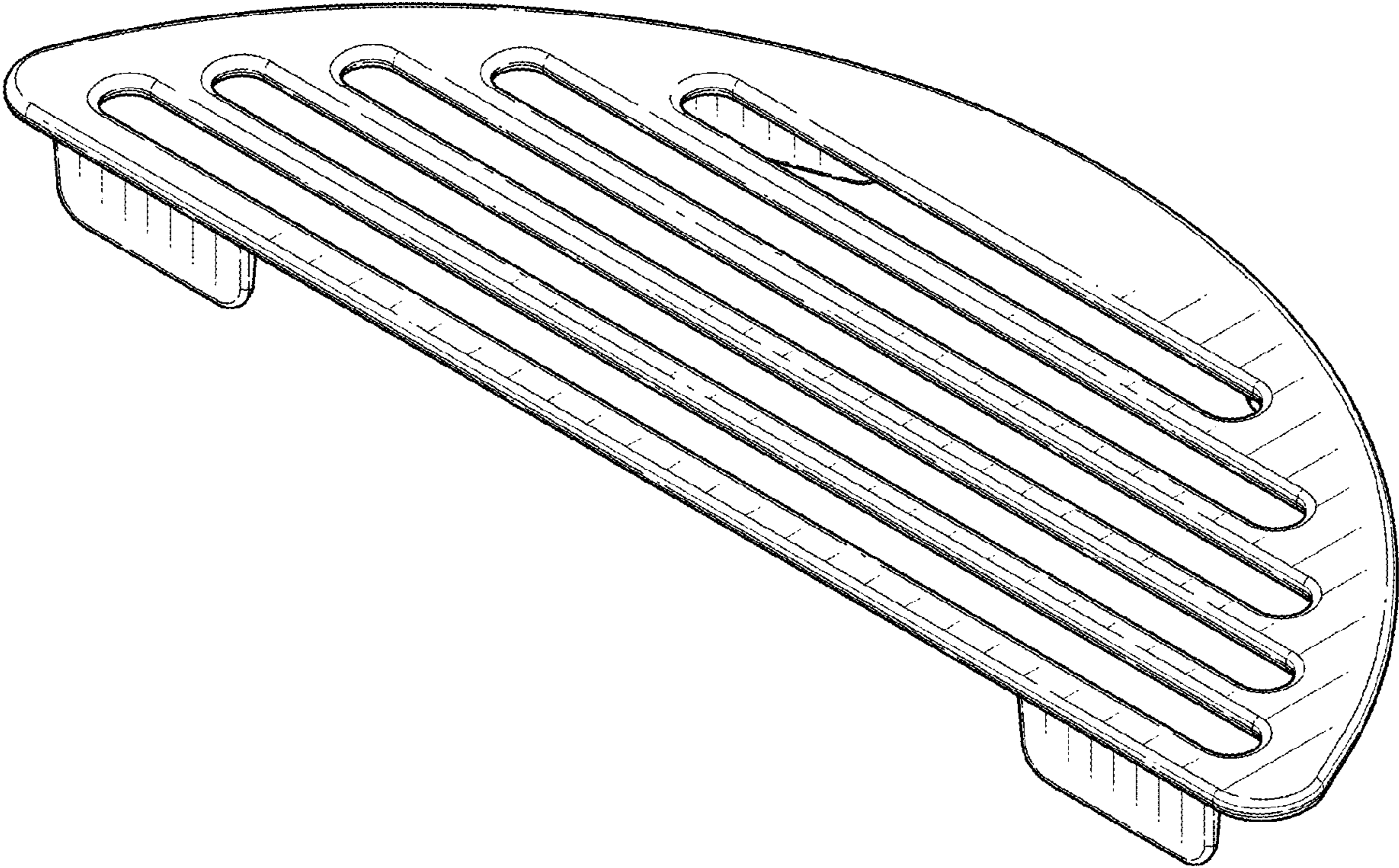


FIG. 1



FIG. 2



FIG. 3

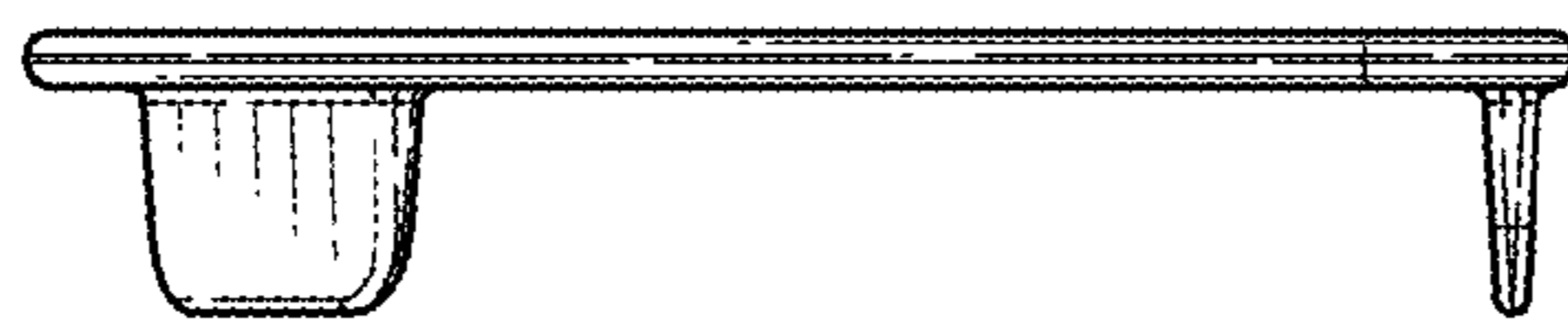


FIG. 4

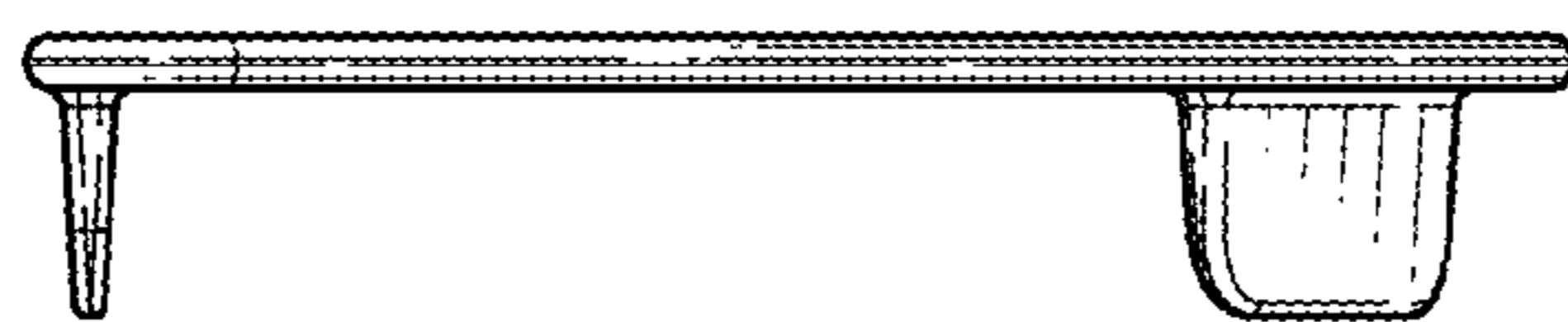


FIG. 5

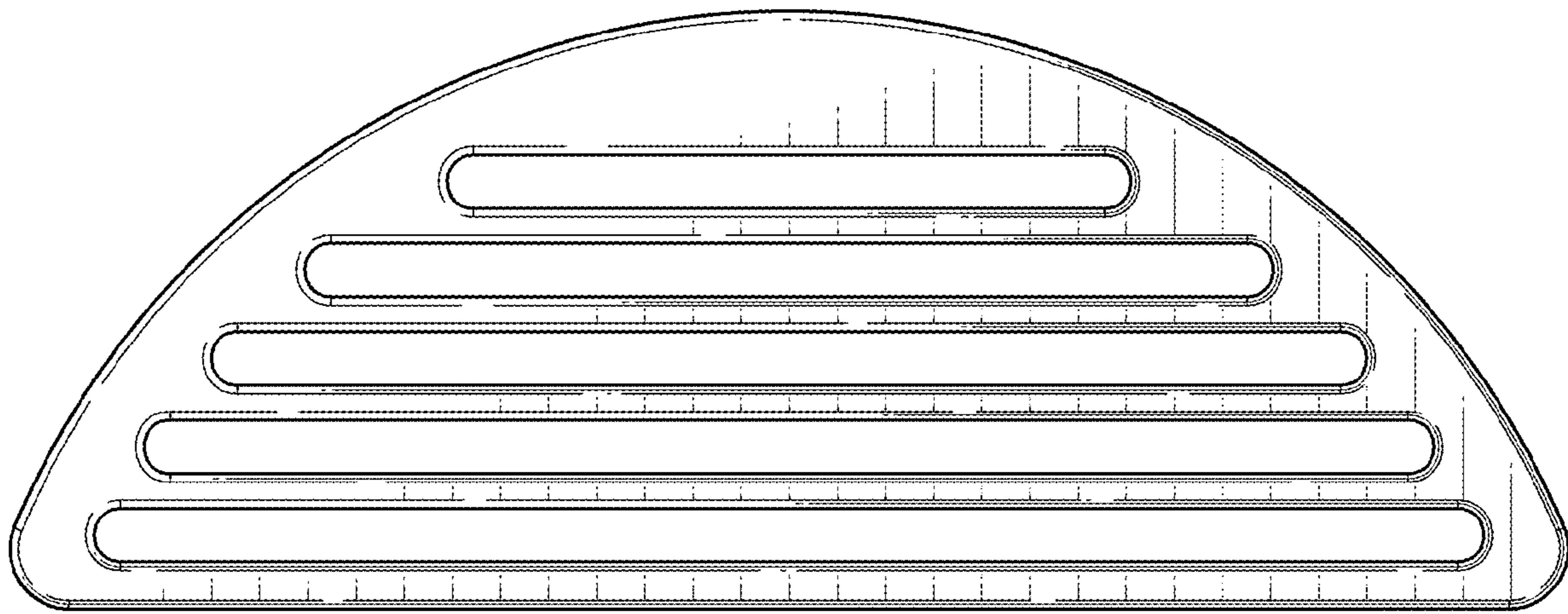


FIG. 6

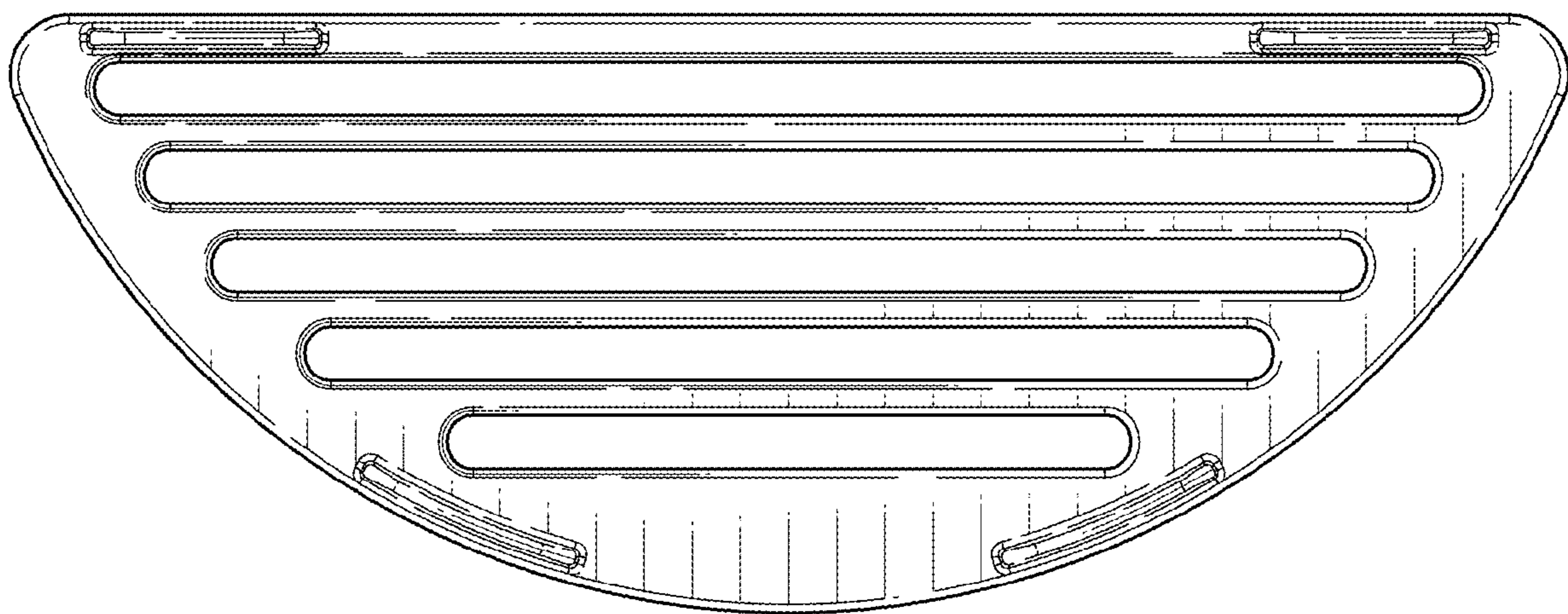


FIG. 7

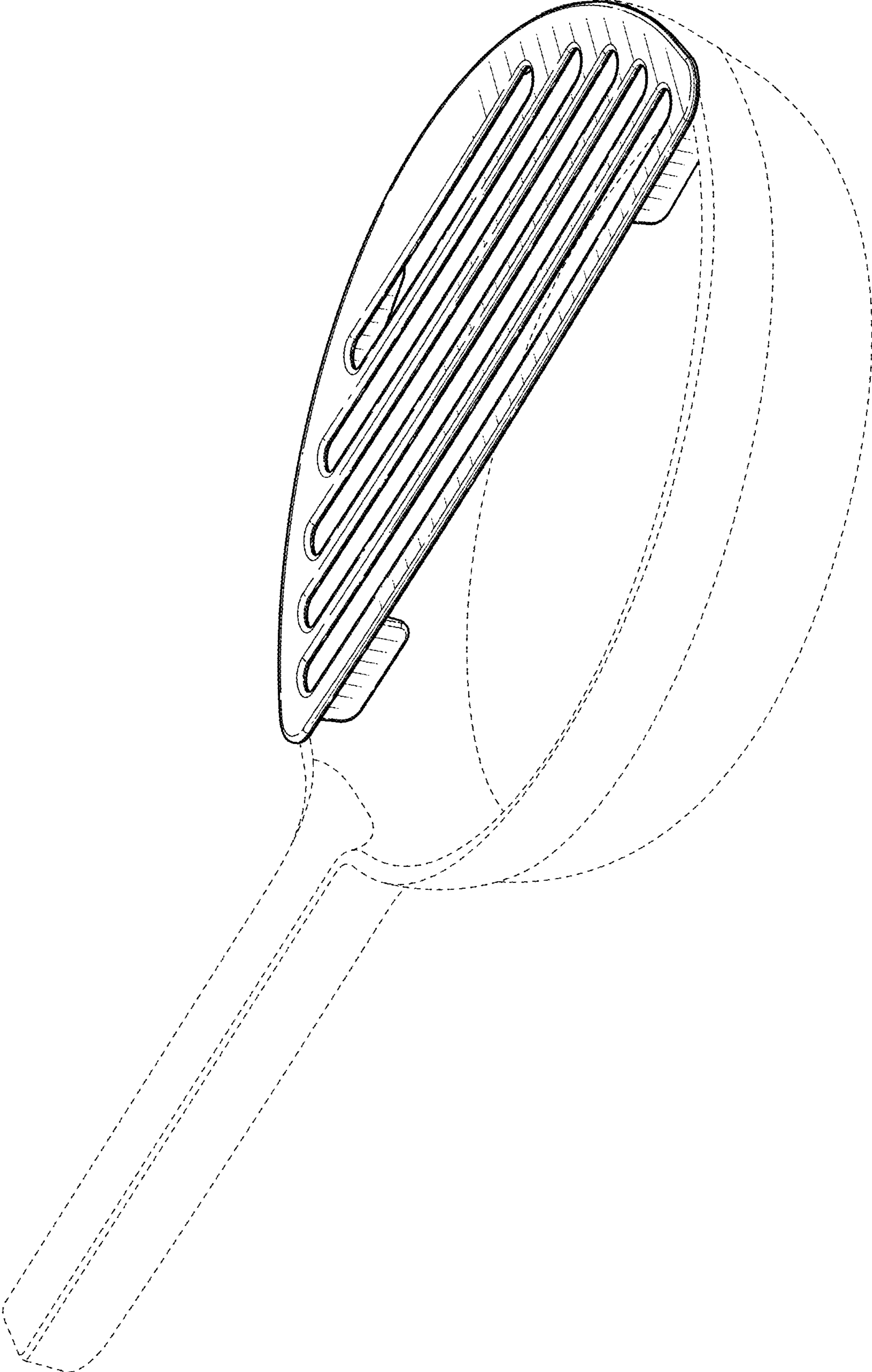


FIG. 8