



US00D969550S

(12) **United States Design Patent** (10) **Patent No.:** **US D969,550 S**
Miller et al. (45) **Date of Patent:** **** Nov. 15, 2022**

(54) **TOASTER OVEN**
(71) Applicant: **Spectrum Brands, Inc.**, Middleton, WI (US)
(72) Inventors: **John Aaron Miller**, Marshall, WI (US); **Peter Alan Steiner**, Madison, WI (US)
(73) Assignee: **Spectrum Brands, Inc.**, Middleton, WI (US)

D712,694 S 9/2014 Kim et al.
D764,227 S 8/2016 Jeon et al.
D764,854 S * 8/2016 Kim D7/339
D780,504 S 3/2017 Terao
D781,636 S * 3/2017 Kim D7/348
D825,247 S 8/2018 Dash et al.
D831,404 S * 10/2018 Glucksman A47J 37/0611
D7/347
D838,533 S * 1/2019 Tokoi D7/328

(Continued)

FOREIGN PATENT DOCUMENTS

CA 59424 10/1987
CN 3639076 5/2007

(Continued)

OTHER PUBLICATIONS

CO Registration No. 12539-0001, Homo Tostador, Spectrum Brands Inc, Miller, Steiner, publication date Jan. 28, 2022, [retrieved on Jul. 11, 2022], Retrieved from the Internet via Orbit.*

(Continued)

Primary Examiner — Nicole C Shiflet
(74) *Attorney, Agent, or Firm* — Banner & Witcoff, Ltd.

(57) **CLAIM**

The ornamental design for a toaster oven, as shown and described.

DESCRIPTION

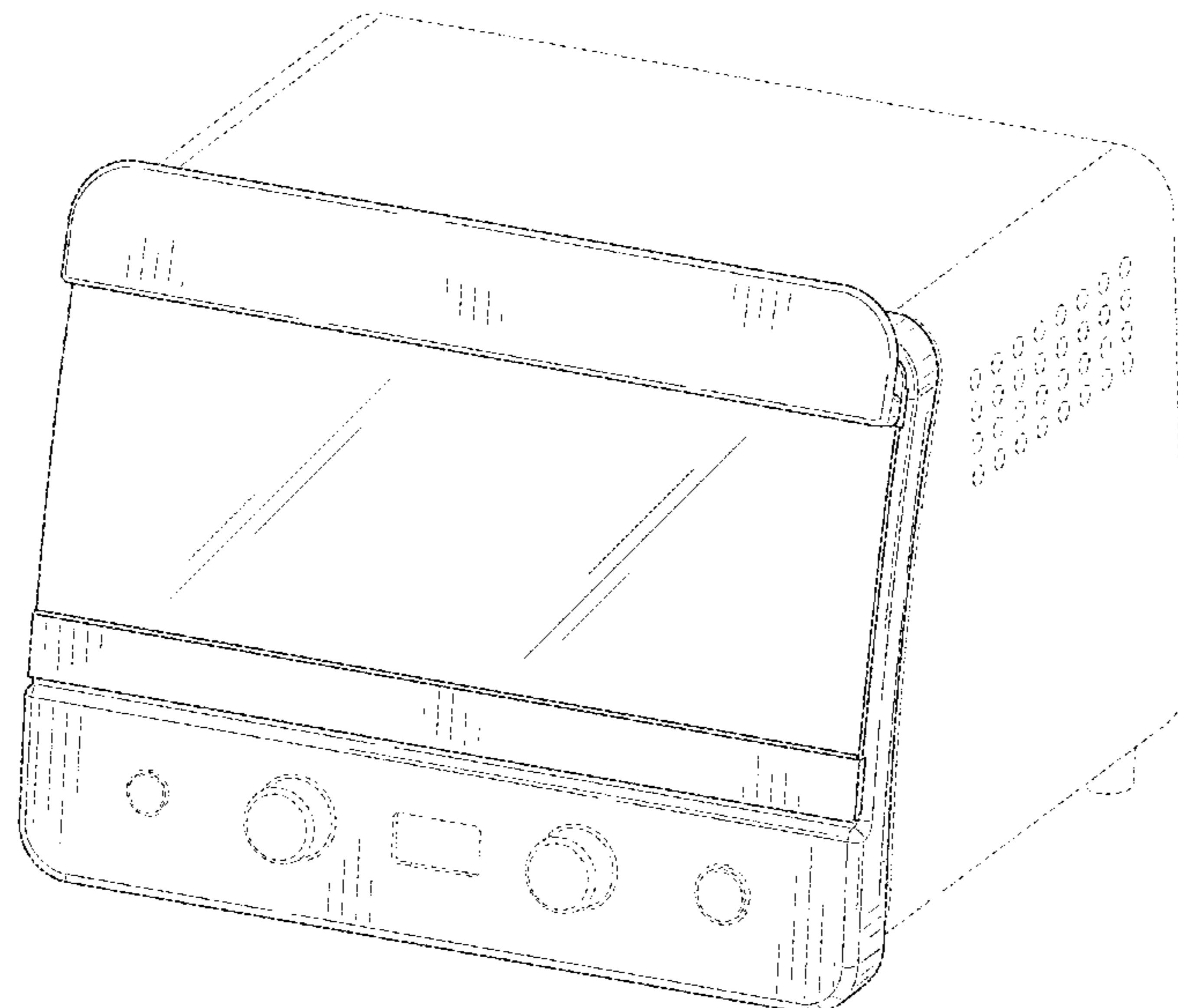
FIG. 1 is a front perspective view of a toaster oven showing our new design;
FIG. 2 is a front view thereof;
FIG. 3 is a right side view thereof;
FIG. 4 is a left side view thereof; and,
FIG. 5 is a top view thereof.
The broken lines depicting the remainder of the toaster oven form no part of the claimed design.

1 Claim, 5 Drawing Sheets

(**) Term: **15 Years**
(21) Appl. No.: **29/776,485**
(22) Filed: **Mar. 30, 2021**
(51) **LOC (13) Cl.** **07-02**
(52) **U.S. Cl.**
USPC **D7/405**
(58) **Field of Classification Search**
USPC D7/402-409, 339-340, 346-349, D7/328-329, 332-334, 337, 390, 396.6, D7/354, 355, 336, 388-389, 350.4, 350.1, D7/351, 363; D23/338, 415; D22/112
CPC .. A47J 37/0704; A47J 37/0763; A47J 37/108; A47J 36/26; A47J 37/0623; A47J 37/0629; A47J 37/0664; F24C 3/14; F24C 15/107; F24C 7/087; F24C 15/16; F24C 15/22; F24C 15/162
See application file for complete search history.

(56) **References Cited**
U.S. PATENT DOCUMENTS

D300,711 S 4/1989 Moritani
D309,078 S 7/1990 Kokubo
D386,938 S 12/1997 Piret
D535,516 S 1/2007 Lee et al.
D538,581 S * 3/2007 Lee D7/340
D565,341 S 4/2008 Jeon et al.
D586,180 S * 2/2009 Pino D7/405
D621,649 S 8/2010 Blanchard et al.



(56)

References Cited

U.S. PATENT DOCUMENTS

D842,638	S	*	3/2019	Filinesi	D7/348
D856,742	S	*	8/2019	Mano	D7/346
D856,743	S	*	8/2019	Mano	D7/346
D861,409	S	*	10/2019	Bhogal	D7/328
D881,632	S	*	4/2020	Ye	D7/348
D927,240	S	*	8/2021	Kang	D7/348
D934,628	S	*	11/2021	Lees	D7/402

FOREIGN PATENT DOCUMENTS

CN	301378565	11/2010
CN	302251496	12/2012
CN	302348237	3/2013
CN	302473959	6/2013
CN	302899544	8/2014
CN	303652628	4/2016
CN	303659767	5/2016
CN	303766389	8/2016
CN	304320447	10/2017
CN	304357831	11/2017
CN	304533748	3/2018
CN	304792392	8/2018
CN	304972078	1/2019
CN	304972100	1/2019
CN	305200435	6/2019
CN	305994306	8/2020
CN	306016925	8/2020
CN	301210499	5/2021
EM	006721742-0003	8/2019

OTHER PUBLICATIONS

“De’Longhi—Livenza Convection Totaster/Pizza Oven—Stainless Steel”, Bestbuy.com; retrieved Feb. 2, 2021; disclosure date unknown

but prior to the filing date of present application; URL: <<https://www.bestbuy.com/site/delonghi-livenza-convection-toaster-pizza-oven-stainless-steel/5709034.p?skuId=5709034>>.

“Gourmia Digital Stainless Steel Toaster Oven Air Fryer—Silver”, Target.com; retrieved Mar. 1, 2021; disclosure date unknown but prior to the filing date of present application; URL: <<https://www.target.com/p/gourmia-digital-stainless-steel-toaster-oven-air-fryer-8211-silver/-/A-80137212>>.

“Hamilton Beach 6-Slice Capacity Toaster Oven”, Macys.com; retrieved Feb. 2, 2021; disclosure date unknown but prior to the filing date of present application; URL: <https://www.macys.com/shop/product/hamilton-beach-6-slice-capacity-toaster-oven?ID=6664102&CategoryId=7575&sizes=TOASTER_TYPE!!Toaster%20Ovens>.

“Hamilton Beach Sure-Crisp Air Fryer Toaster Oven”, Kohl’s; retrieved Feb. 2, 2021; disclosure date unknown but prior to the filing date of present application; URL: <https://www.kohls.com/product/prd-4499844/hamilton-beach-sure-crisp-air-fryer-toaster-oven.jsp?skuid=55142004&CID=shopping30&utm_campaign=SMALL%20ELECTRICS&utm_medium=CSE&utm_source=google&utm_product=55142004&utm_campaignid=9836151764&gclid=EA1a1QobChMIoP-0ufTL7glVC6CzCh1YswvuEAQYFCABEgL6UPD_BwE&gclid=aw.ds>.

“LG 18 Inch Wide 0.9 Cu. Ft. 1000 Watt Countertop Microwave with Smart Inverter”, Build.com; retrieved Mar. 1, 2021; disclosure date unknown but prior to the filing date of present application; URL: <<https://www.build.com/lg-lmc0975/s1325675?uid=3160957>>.

“Micom Toaster Oven ET-ZLC30”, Zojirushi Online Store; retrieved Mar. 1, 2021; disclosure date unknown but prior to the filing date of present application; URL: <<https://shop.zojirushi.com/products/etzlc>>.

* cited by examiner

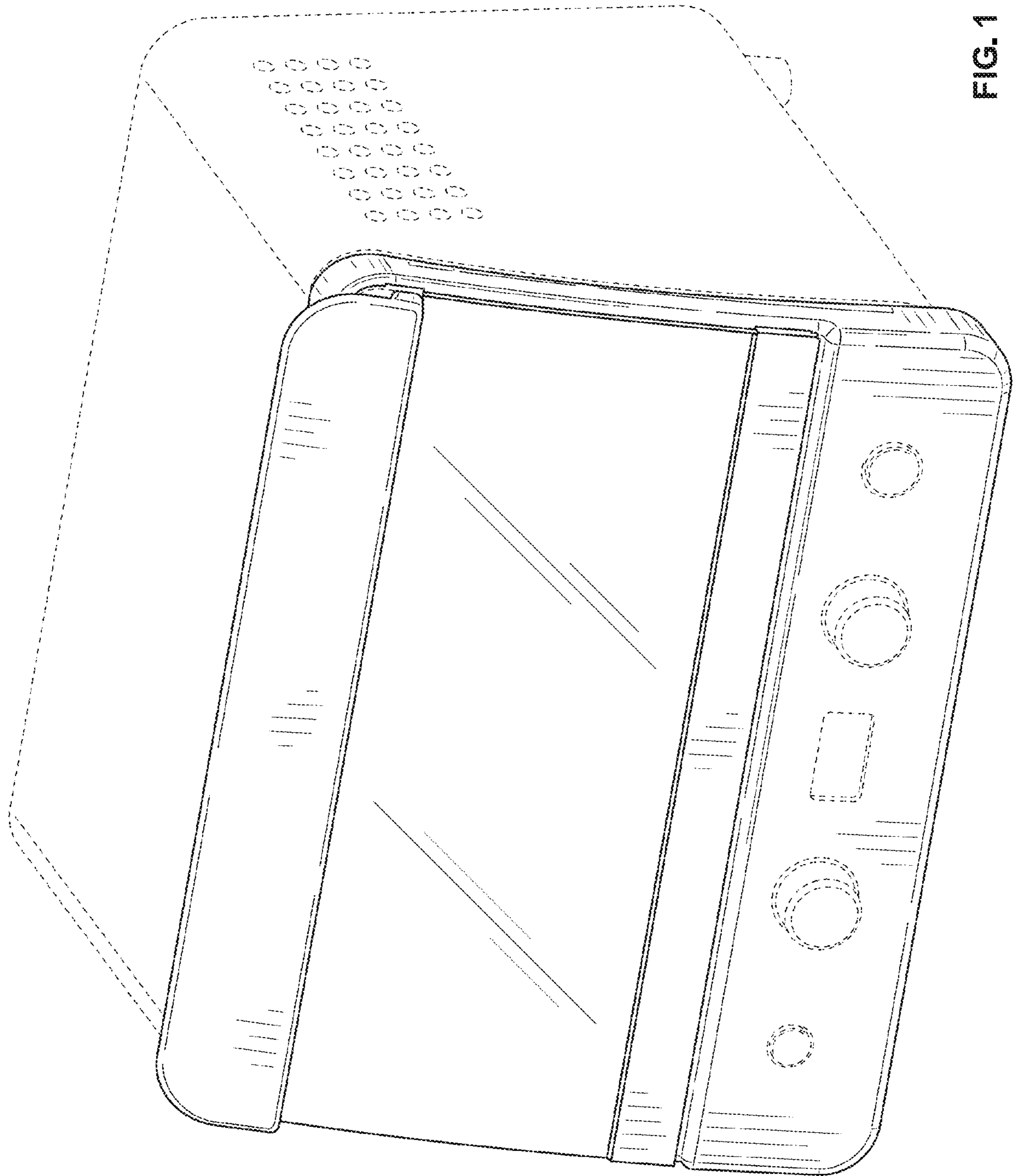


FIG. 1

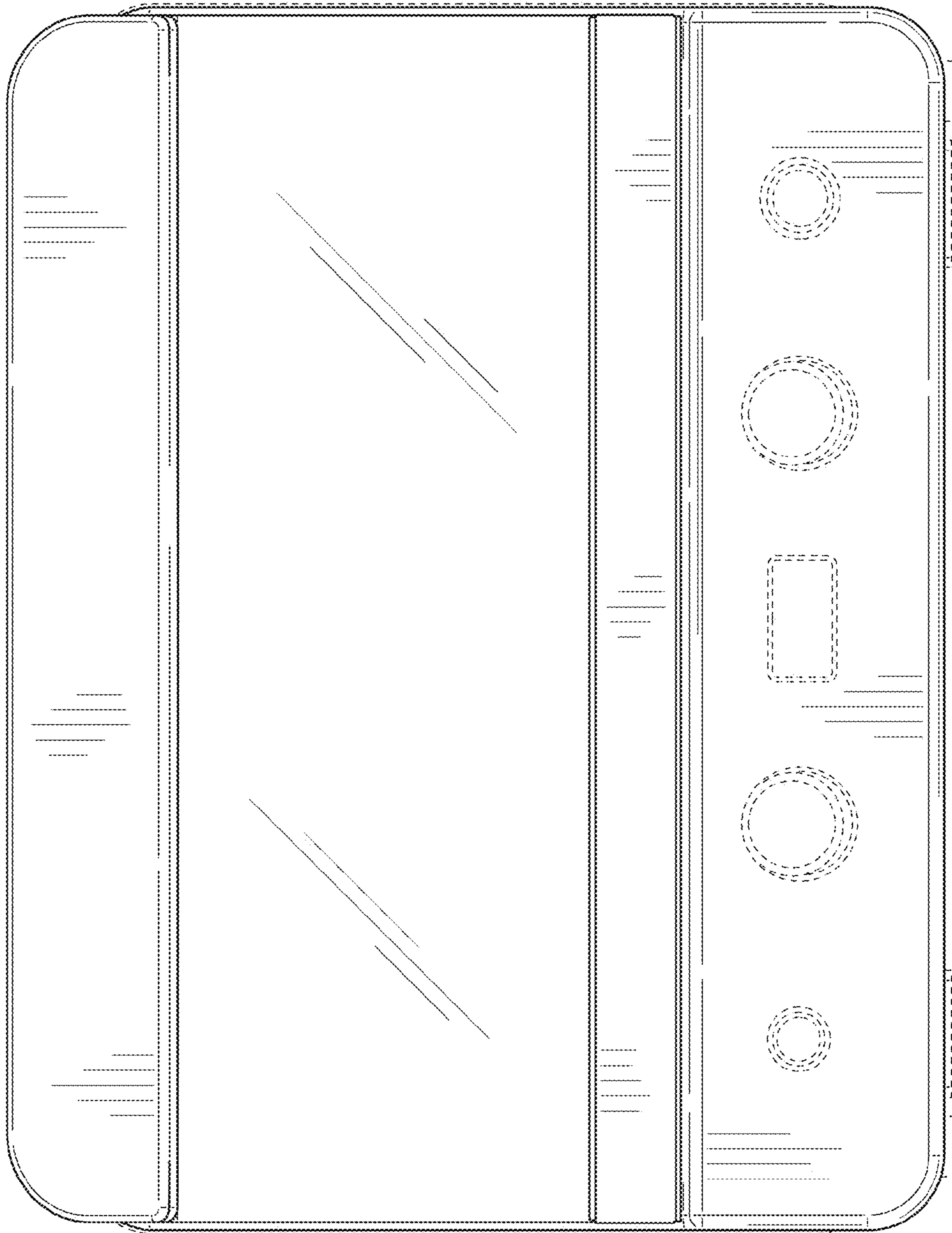


FIG. 2

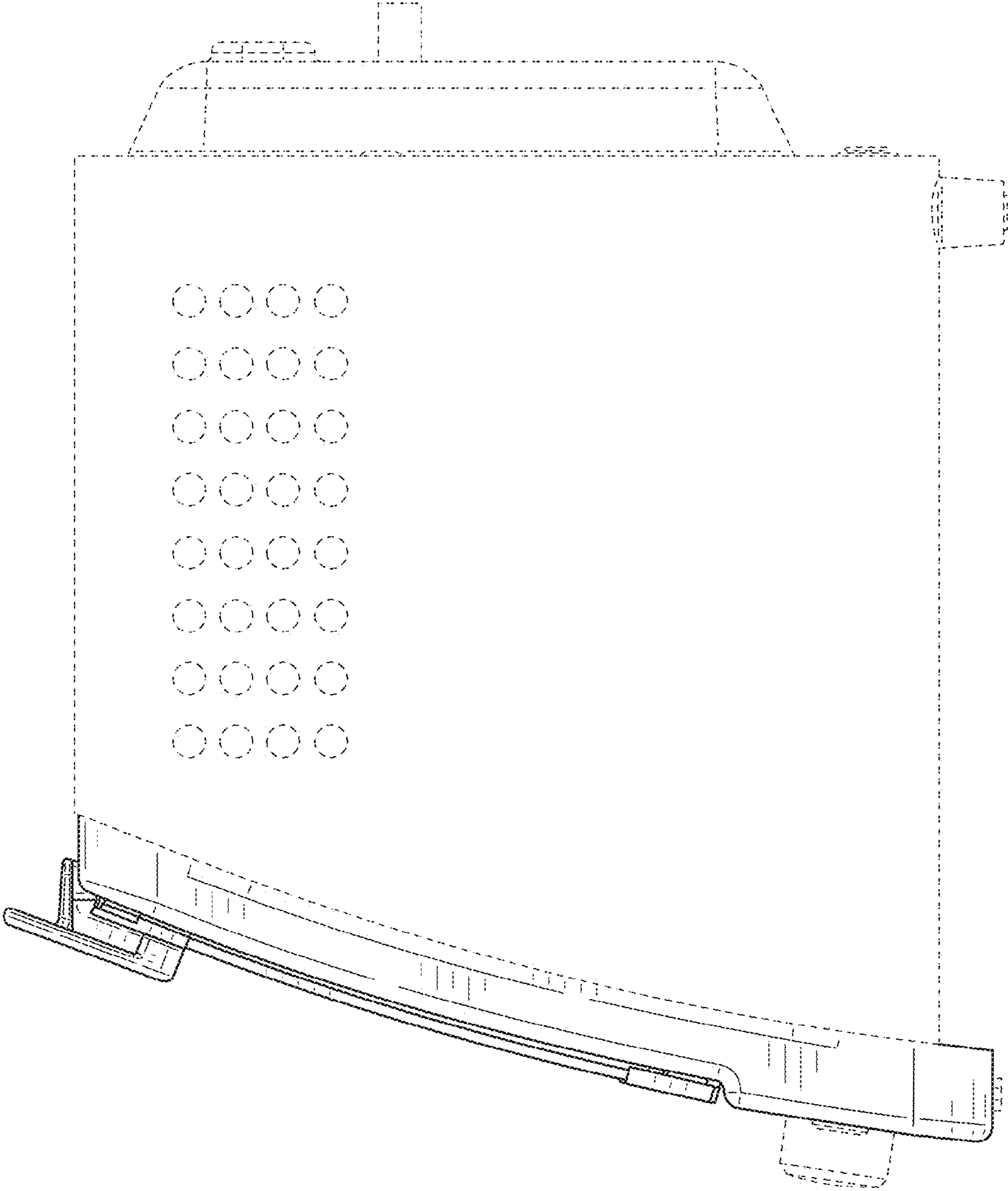


FIG. 3

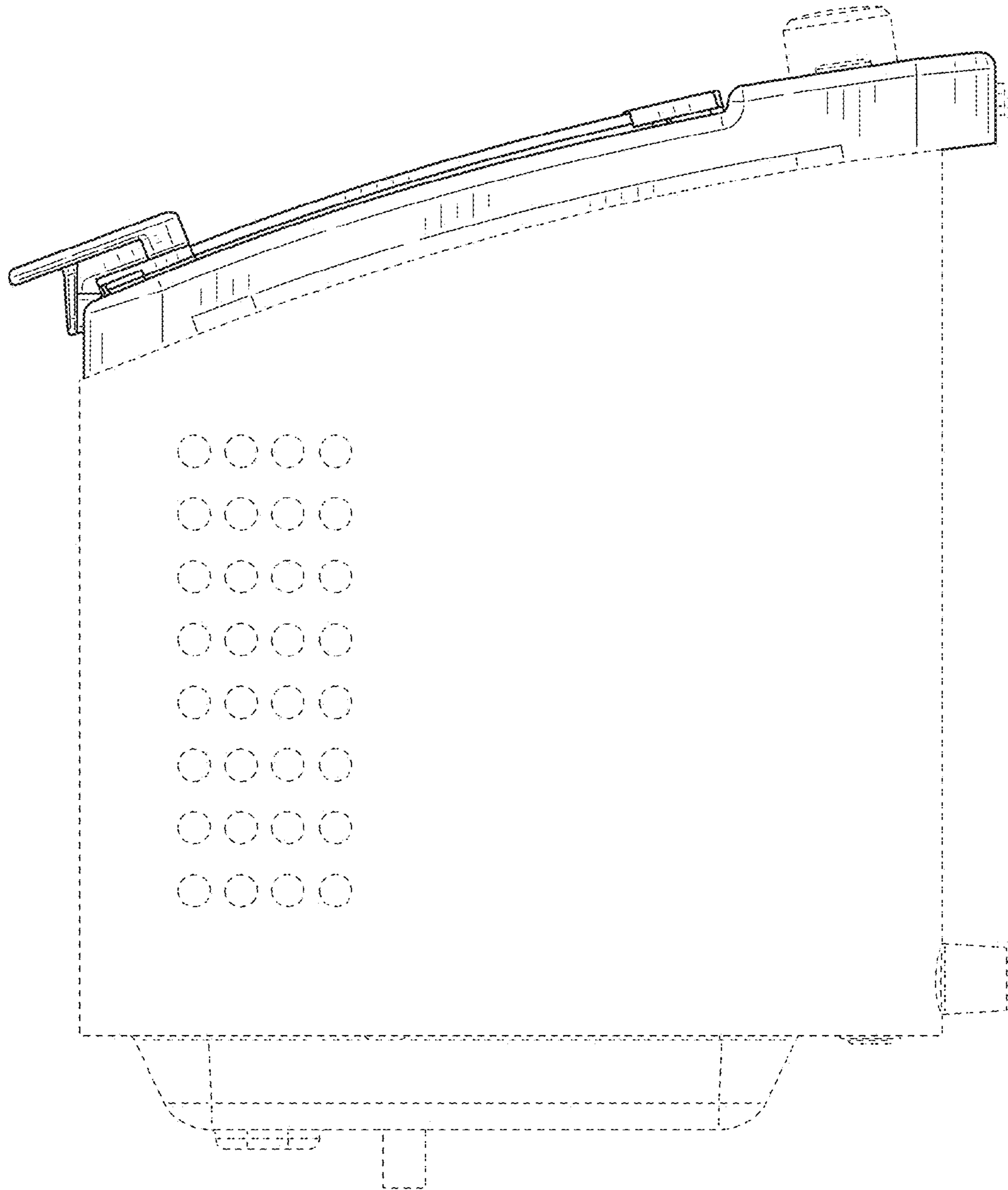


FIG. 4

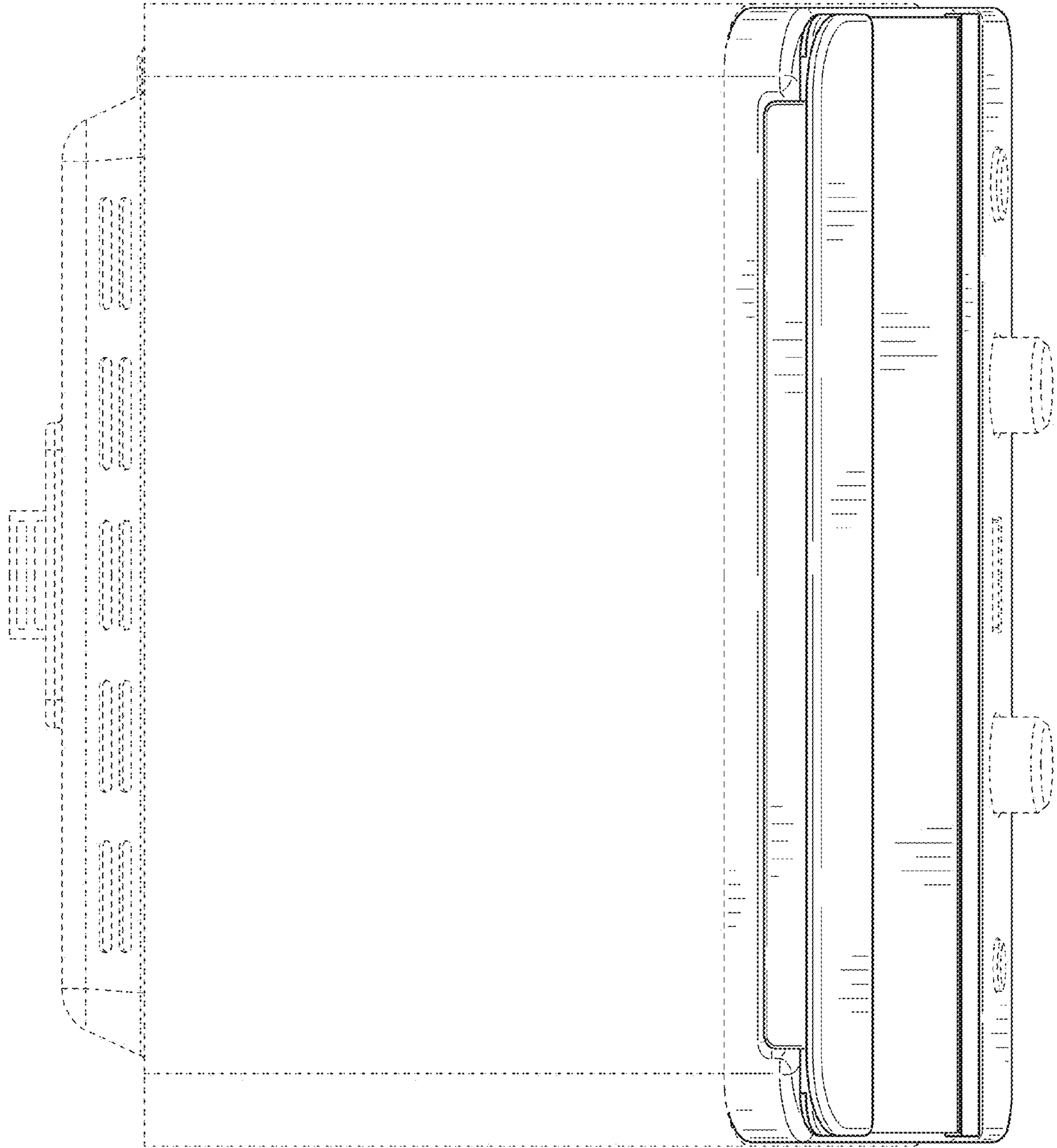


FIG. 5