



US00D969549S

(12) **United States Design Patent** (10) **Patent No.:** **US D969,549 S**
Bonfort (45) **Date of Patent:** **** Nov. 15, 2022**

(54) **BARBECUE STAND WITH SHELF UNIT**

(71) Applicant: **JYA COEO, Le Vigan (FR)**

(72) Inventor: **Yannick Cyril Laurent Bonfort, Montpellier (FR)**

(73) Assignee: **JYA COEO, Le Vigan (FR)**

(**) Term: **15 Years**

(21) Appl. No.: **29/782,633**

(22) Filed: **May 7, 2021**

(51) **LOC (13) Cl.** **07-02**

(52) **U.S. Cl.**
USPC **D7/403; D7/332**

(58) **Field of Classification Search**
USPC D7/402-409, 339-340, 346-349,
D7/328-329, 332-334, 337, 390, 396.6,
D7/354, 355, 336, 388-389, 350.4, 350.1,
D7/351, 363, 352, 359, 362, 360, 335;
D23/338, 415; D22/112; D6/664, 699.3
CPC .. A47J 37/0704; A47J 37/0763; A47J 37/108;
A47J 36/26; A47J 37/0623; A47J
37/0629; A47J 37/0664; A47J 37/067;
A47J 37/0694; F24C 3/14; F24C 15/107;
F24C 7/087; F24C 15/16; F24C 15/22;
F24C 15/162

See application file for complete search history.

(56) **References Cited**

U.S. PATENT DOCUMENTS

D206,701 S * 1/1967 Wilson D7/347
D221,668 S * 8/1971 Schendel D6/664
4,350,873 A * 9/1982 Willett A21B 1/44
432/142
D271,174 S * 11/1983 Bowen D7/360
D279,953 S * 8/1985 Willett D7/348
D389,009 S * 1/1998 Baykal D7/335
5,775,315 A * 7/1998 Baykal A47J 37/0781
126/26

D660,639 S * 5/2012 Schindler D7/348
D688,511 S * 8/2013 Chung
D717,098 S * 11/2014 Chung
D798,099 S * 9/2017 Goossens D7/335
D820,023 S * 6/2018 Zhou
D830,095 S * 10/2018 Goossens D7/332
D832,022 S * 10/2018 Russier D7/332
D844,361 S * 4/2019 Chung

(Continued)

OTHER PUBLICATIONS

Coeotrio Corten Steel, Coeo [online], availability period listed as Jan. 2022, [retrieved on Jul. 11, 2022]. Retrieved from the Internet, URL: https://www.coeo-design.fr/en/product-page/BraseroBarbecuePlancha.*

(Continued)

Primary Examiner — Nicole C Shiflet

(74) *Attorney, Agent, or Firm* — Craft Chu PLLC; Andrew W. Chu

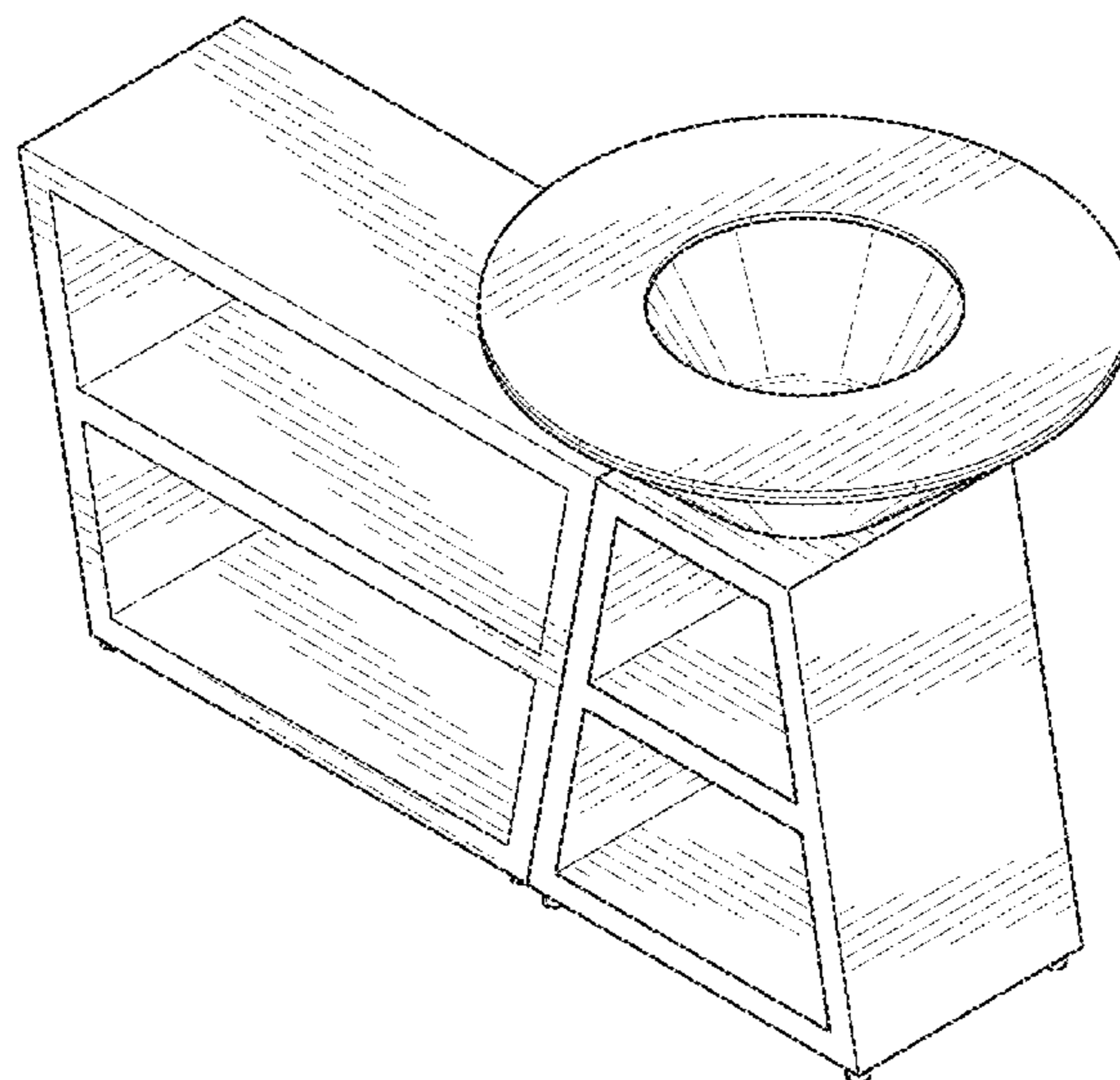
(57) **CLAIM**

The ornamental design for a barbecue stand with shelf unit, as shown and described.

DESCRIPTION

FIG. 1 is an upper perspective view of the barbecue stand with shelf unit showing my design; FIG. 2 is a top plan view thereof; FIG. 3 is a front elevation view thereof; FIG. 4 is a back elevation view thereof; FIG. 5 is a side elevation view thereof; FIG. 6 is an opposite side elevation view thereof; and, FIG. 7 is another upper perspective view thereof, showing alternate spacing between the barbecue stand with shelf unit, and a grill attachment and fire logs in broken lines. The grill attachment and fire logs in FIG. 7 are shown in broken lines and form no part of the claimed design.

1 Claim, 3 Drawing Sheets



(56)

References Cited

U.S. PATENT DOCUMENTS

D855,381 S * 8/2019 Soler D7/348
D859,906 S * 9/2019 Salamon-Hickey D6/699.3

OTHER PUBLICATIONS

Trois Gardois Iancet Coeo, un concept qui plait, midilibre.fr [online], published Mar. 21, 2021, [retrieved on Jul. 11, 2022]. Retrieved from the Internet, URL: <https://www.midilibre.fr/2021/03/21/trois-gardois-lance-coeo-un-concept-qui-plait-tout-le-monde-aime-partager-un-barbecue-9440502.php>.*

GB Registration No. 9007822135-0001, Braziers, Barbecues, JYA Coeo, publication date Apr. 18, 2020, [retrieved on Jul. 11, 2022], Retrieved from the Internet via Orbit.*

EU Registration No. 007822135-0001, Barbecues, Braziers, JYA Coeo, publication date May 7, 2020, [retrieved on Jul. 11, 2022], Retrieved from the Internet via Orbit.*

* cited by examiner

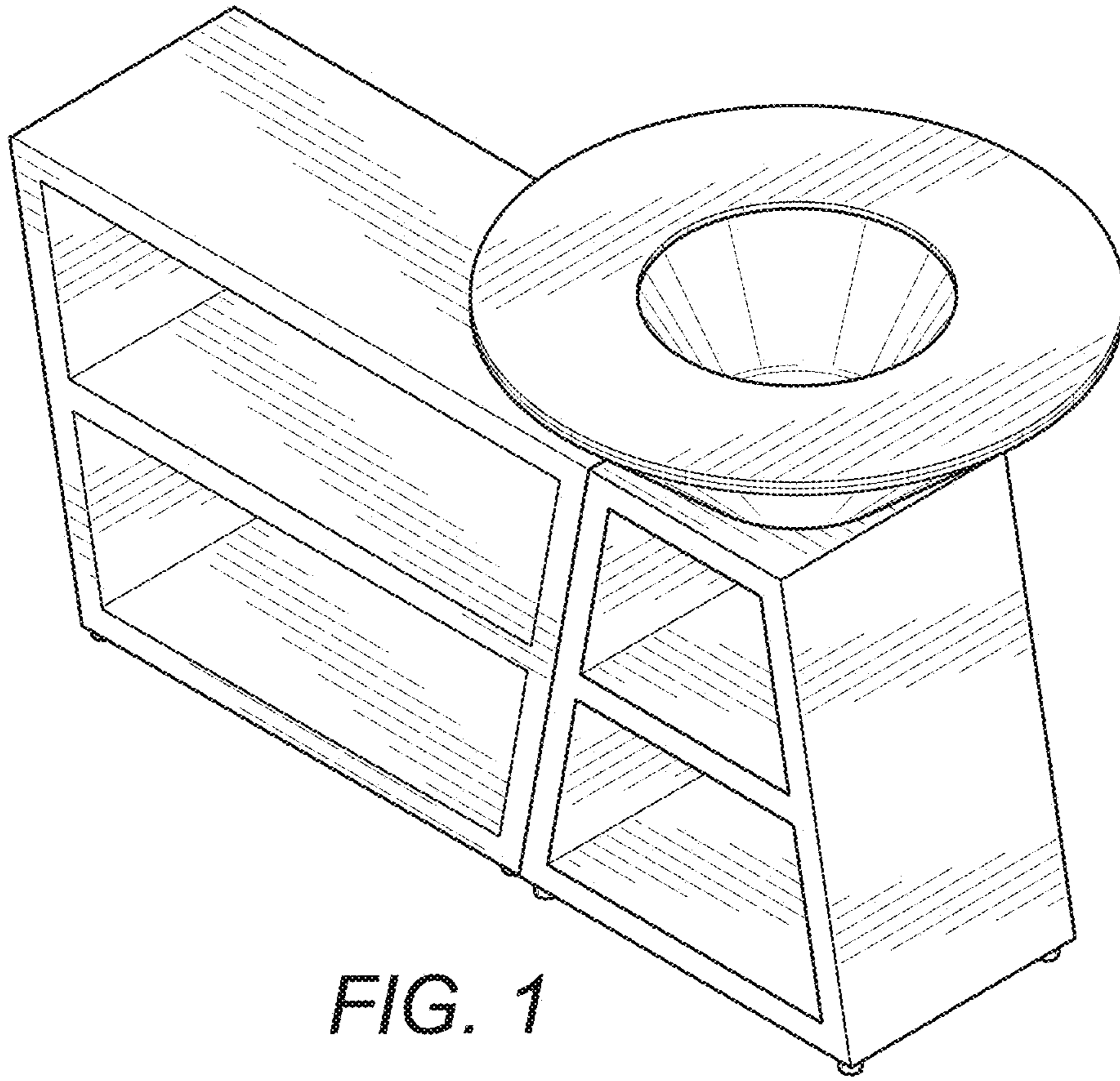


FIG. 1

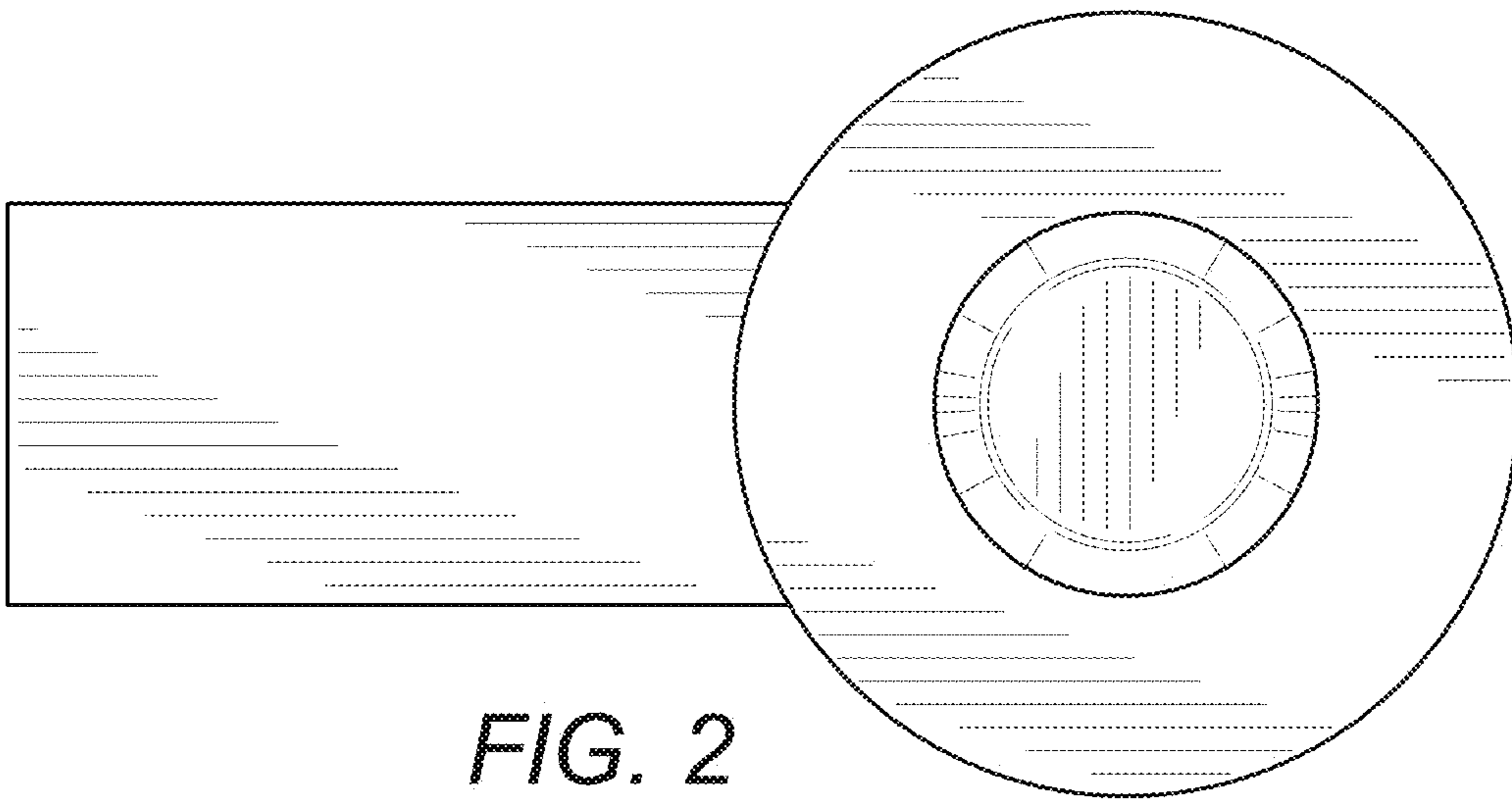


FIG. 2

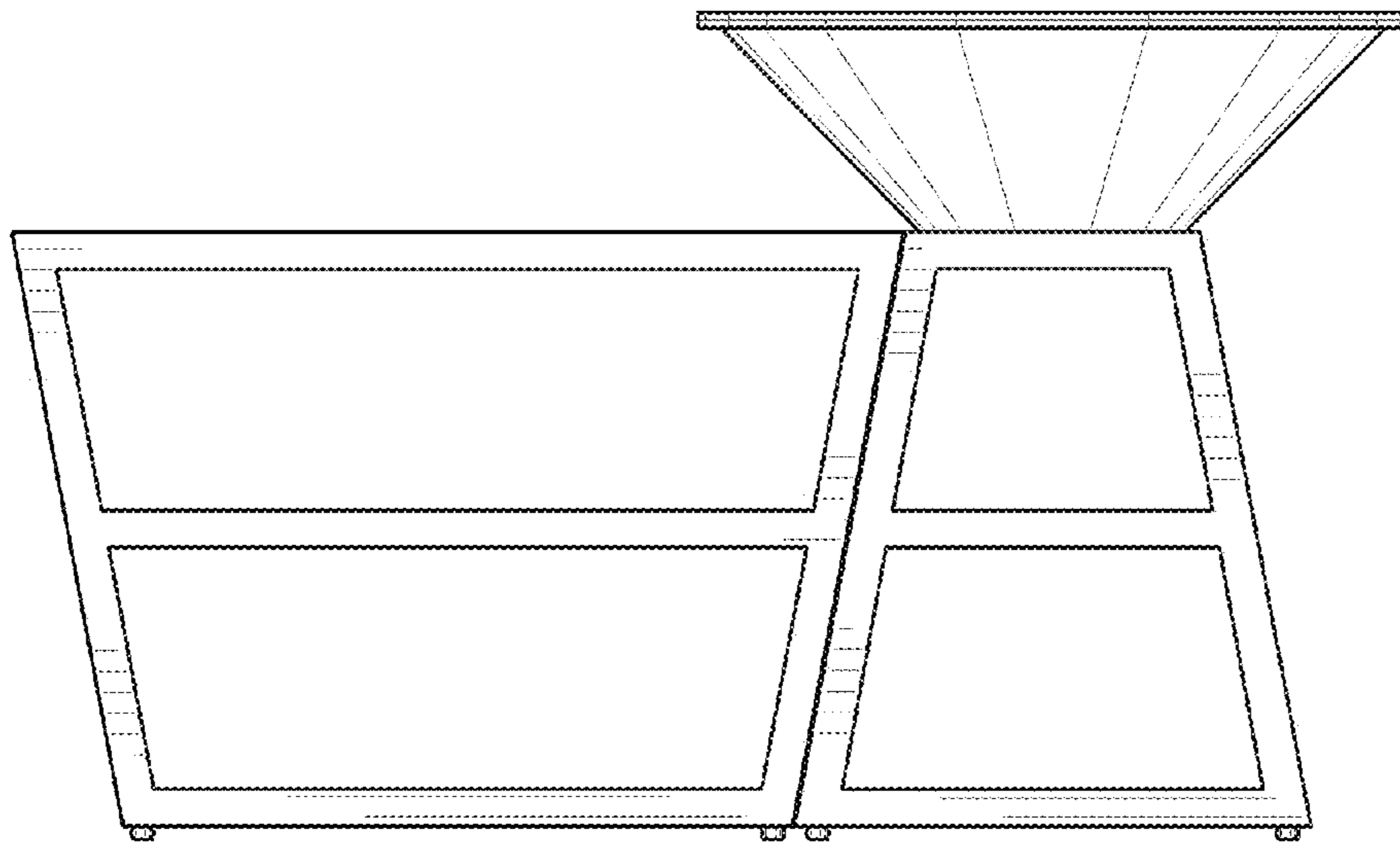


FIG. 3

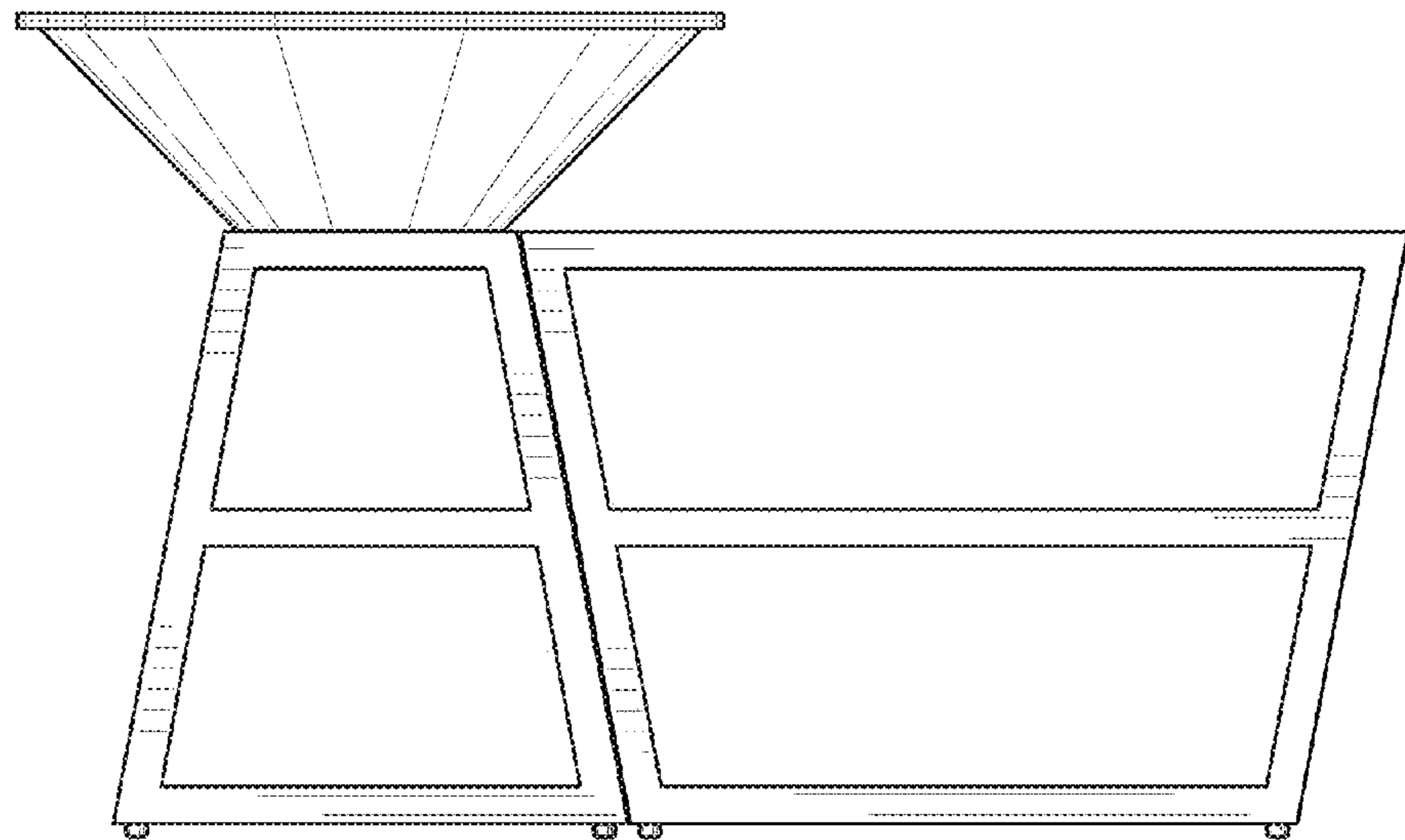


FIG. 4

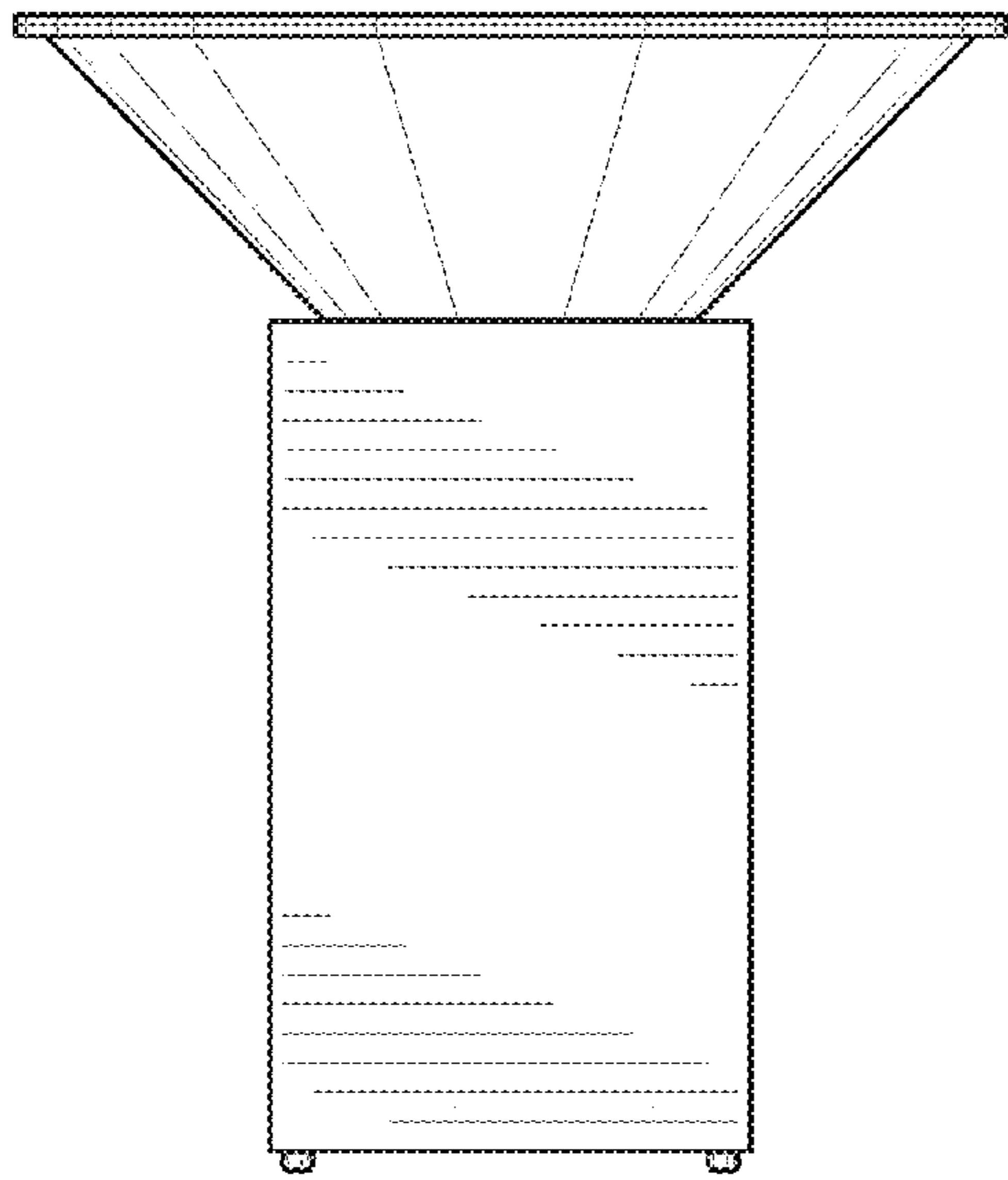


FIG. 5

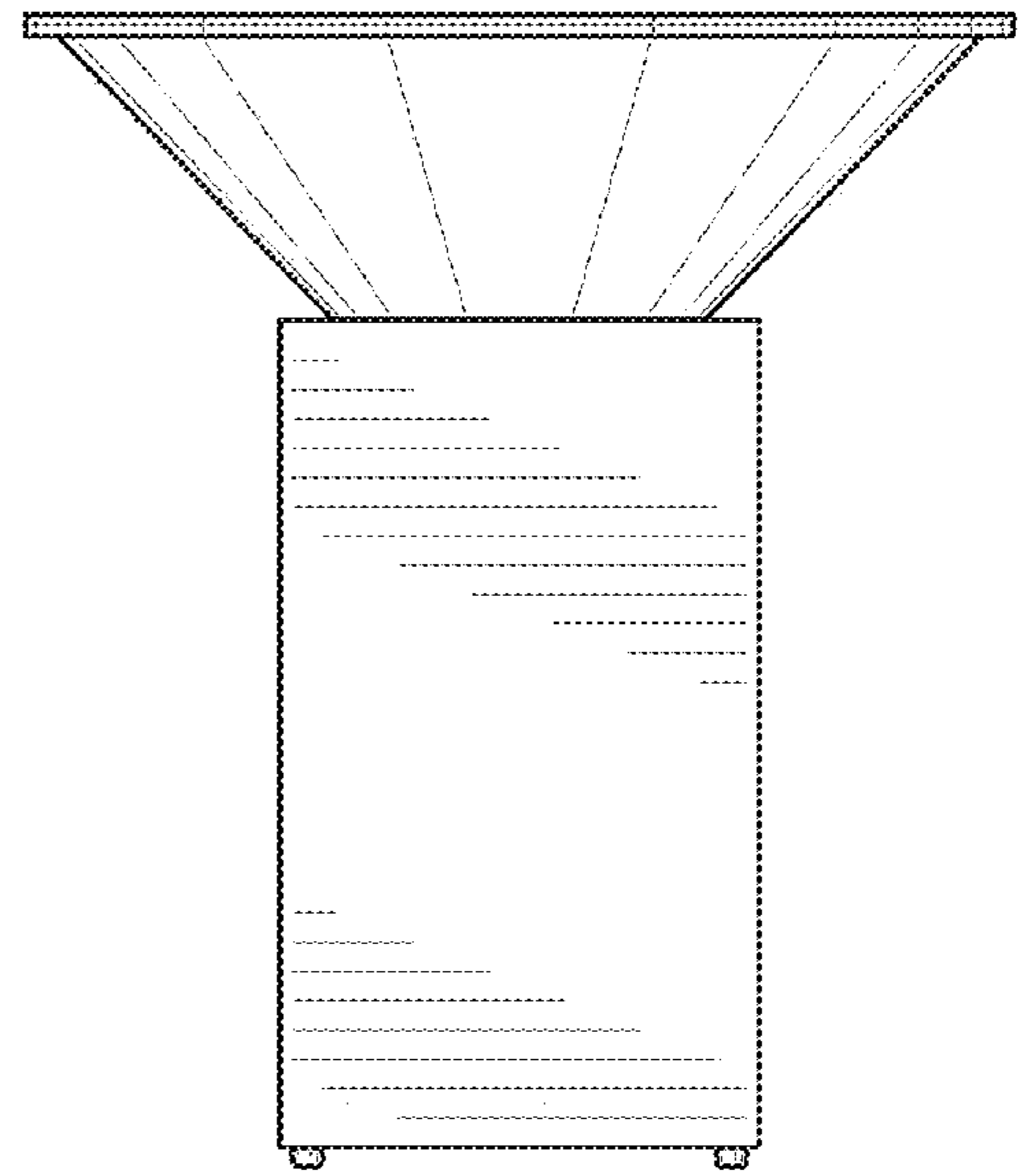


FIG. 6

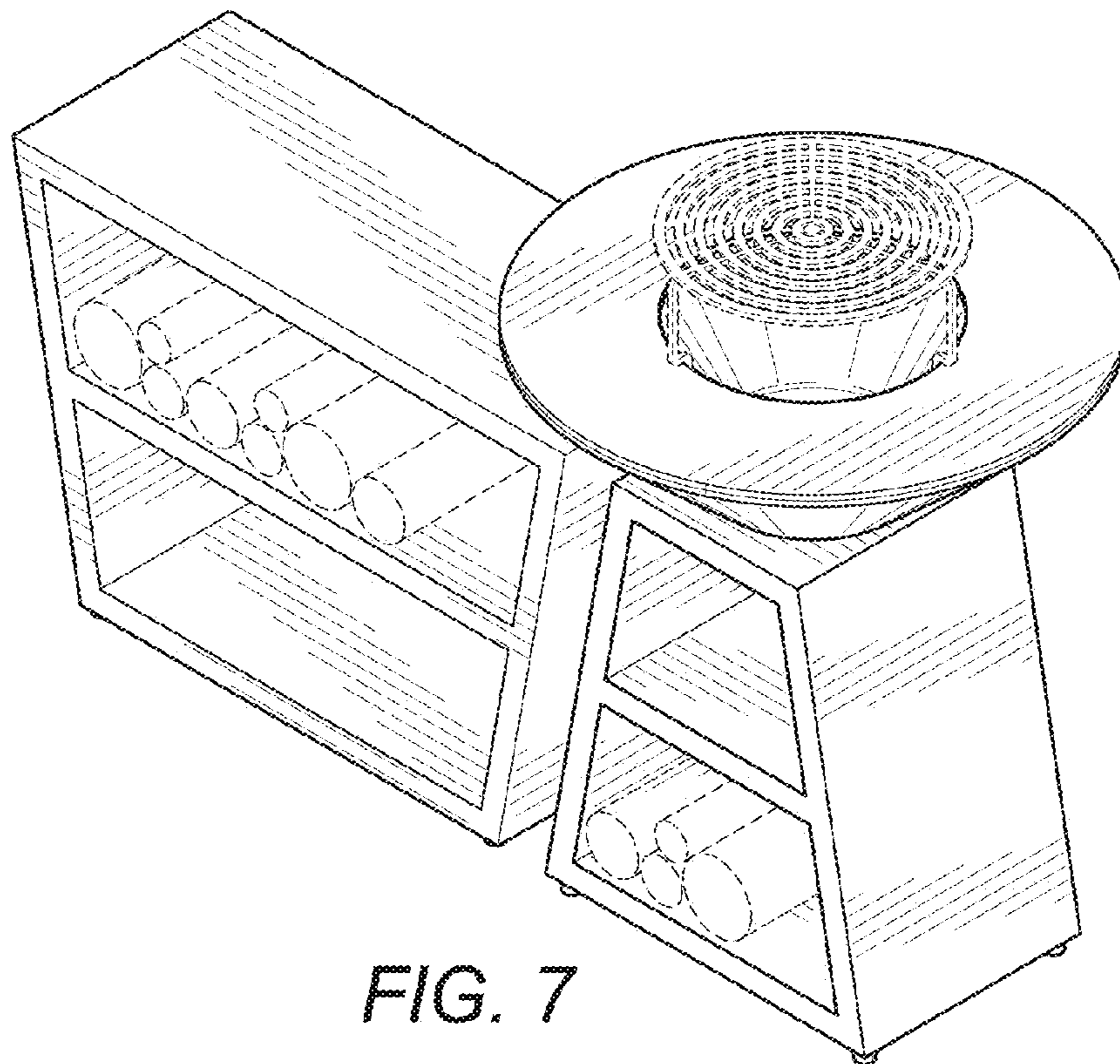


FIG. 7