



US00D969547S

(12) **United States Design Patent** (10) **Patent No.:** **US D969,547 S**
Bartoli et al. (45) **Date of Patent:** **** Nov. 15, 2022**

(54) **COFFEE CAPSULE**
(71) Applicant: **SARONG SOCIETA' PER AZIONI,**
Reggiolo (IT)
(72) Inventors: **Andrea Bartoli,** Reggio Emilia (IT);
Davide Capitini, Reggio Emilia (IT)
(73) Assignee: **SARONG SOCIETA' PER AZIONI,**
Reggiolo (IT)

5,840,189 A 11/1998 Sylvan et al.
D474,110 S * 5/2003 Sweeney D9/425
6,645,537 B2 11/2003 Sweeney et al.
7,604,826 B2 10/2009 Denisart et al.
7,798,054 B2 9/2010 Evers et al.
8,230,775 B2 7/2012 Vanni
8,535,743 B2 9/2013 Kamerbeek et al.
(Continued)

(**) Term: **15 Years**
(21) Appl. No.: **29/754,499**
(22) Filed: **Oct. 12, 2020**

FOREIGN PATENT DOCUMENTS

EP 1813333 8/2007
EP 1886942 B1 11/2009
(Continued)

(30) **Foreign Application Priority Data**

Apr. 16, 2020 (EM) 007815683

(51) **LOC (13) Cl.** **07-06**

(52) **U.S. Cl.**
USPC **D7/400**

(58) **Field of Classification Search**
USPC D9/414, 415, 416, 417, 419, 428, 431,
D9/500, 503, 707, 708, 710, 712;
D7/399, 400, 540, 542, 629, 630, 667;
D23/209

CPC A23F 3/00; A23F 5/26; A47G 19/14; A47J
31/06; A47J 31/24; A47J 31/40; A47J
31/407; A47J 31/44; B65B 7/16; B65B
7/161; B65B 29/02; B65B 29/022; B65D
45/12; B65D 45/16; B65D 45/18; B65D
45/20; B65D 45/22; B65D 45/30; B65D
65/466; B65D 85/804; B65D 85/8043;
B65D 85/8046; B65D 85/8055; B65D
85/8061

See application file for complete search history.

(56) **References Cited**

U.S. PATENT DOCUMENTS

D110,286 S * 6/1938 Krehbiel 47/65.5
D272,794 S * 2/1984 Dart D7/532

OTHER PUBLICATIONS

Nespresso Compatible Pods, posted at Amazon.com on Mar. 30,
2016, [site visited May 20, 2022]. Available from internet, URL:
<<https://www.amazon.co.uk/dp/B019WWIB9I/>> (Year: 2016).*

(Continued)

Primary Examiner — Andrew Kerr
Assistant Examiner — Chariton Alexakis
(74) *Attorney, Agent, or Firm* — Pearne & Gordon LLP

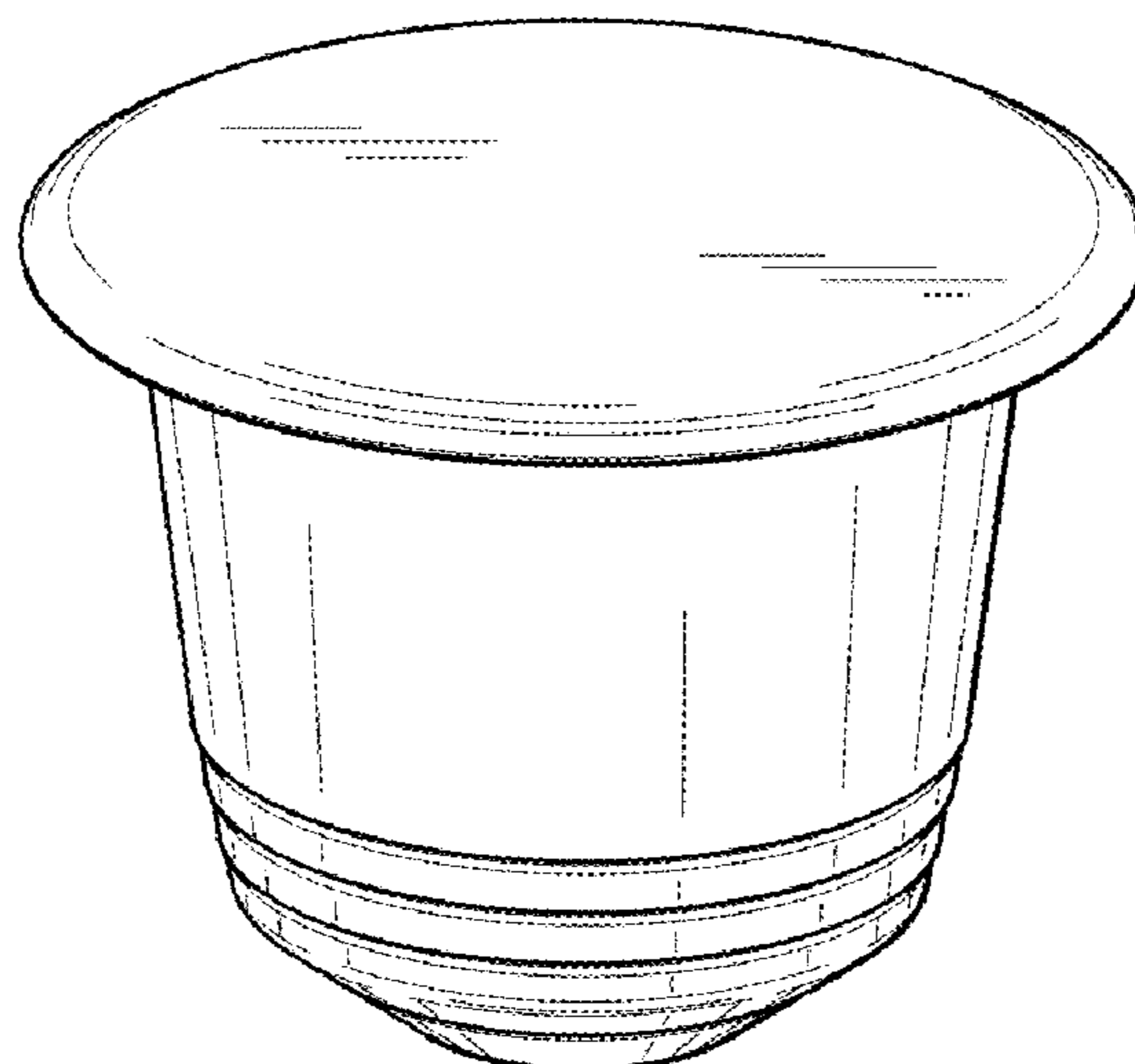
(57) **CLAIM**

The ornamental design for a coffee capsule, as shown and
described.

DESCRIPTION

FIG. 1 is a top-side perspective view of a coffee capsule,
showing the new design;
FIG. 2 is a bottom-side perspective view thereof;
FIG. 3 is a front elevational view thereof, the back eleva-
tional view, left-side elevational view and right-side eleva-
tional view being identical thereto;
FIG. 4 is a top plan view thereof; and,
FIG. 5 is a bottom plan view thereof.

1 Claim, 2 Drawing Sheets



(56)

References Cited

U.S. PATENT DOCUMENTS

8,784,915 B2 7/2014 Evers et al.
D717,605 S * 11/2014 Kristinik D7/532
9,072,402 B2 * 7/2015 Ryser B65D 85/8064
9,096,373 B2 8/2015 Rondelli
9,114,902 B2 8/2015 Temple, Jr.
9,260,239 B2 2/2016 Amrein et al.
9,307,857 B2 4/2016 Kamerbeek et al.
D756,785 S * 5/2016 Bartoli D9/502
9,399,547 B2 7/2016 Bartoli et al.
D771,340 S * 11/2016 Naber D7/532
9,493,297 B2 11/2016 Bartoli et al.
9,567,155 B2 2/2017 Bartoli et al.
9,580,235 B2 2/2017 Rondelli
9,611,089 B2 4/2017 Kamerbeek et al.
9,669,992 B2 6/2017 Temple, Jr. et al.
9,676,538 B2 6/2017 Evers et al.
D791,534 S * 7/2017 Bueno D7/400
D797,503 S * 9/2017 Robotti D7/400
9,771,210 B2 9/2017 Bartoli et al.
9,771,211 B2 9/2017 Bartoli et al.
9,815,616 B2 11/2017 Kamerbeek et al.
D810,571 S * 2/2018 Bartoli D9/502
9,902,554 B2 2/2018 Bartoli et al.
9,944,456 B2 4/2018 Kamerbeek et al.
D822,430 S * 7/2018 Hansen D7/400
10,011,421 B2 7/2018 Bartoli et al.
10,093,478 B2 10/2018 Bartoli et al.
10,123,551 B2 11/2018 Beth Halachmi
10,143,330 B2 12/2018 Digiuni
10,154,753 B2 12/2018 Digiuni
10,597,224 B2 3/2020 Kamerbeek et al.
D884,475 S * 5/2020 Rapparini B65D 85/8064
D9/500
D889,907 S * 7/2020 Braukmann B65B 29/022
D7/400
10,752,431 B2 8/2020 Doglioni
10,793,346 B2 10/2020 Bartoli et al.
D920,097 S * 5/2021 Rapparini A23F 5/262
D9/428
D938,817 S * 12/2021 Gort-Barten B65D 85/8061
D9/416
2004/0228955 A1 11/2004 Denisart et al.
2005/0266122 A1 12/2005 Franceschi
2008/0148948 A1 6/2008 Evers et al.
2010/0000415 A1 1/2010 Vanni
2010/0239733 A1 * 9/2010 Yoakim B65D 85/8061
99/302 R
2010/0288131 A1 11/2010 Kilber et al.
2010/0326283 A1 12/2010 Evers et al.
2012/0225168 A1 9/2012 Kamerbeek et al.
2012/0231123 A1 9/2012 Kamerbeek et al.
2012/0231124 A1 9/2012 Kamerbeek et al.
2012/0241352 A1 9/2012 Pramanik et al.
2012/0242012 A1 9/2012 Temple, Jr. et al.
2012/0244362 A1 9/2012 Pramanik et al.
2012/0251694 A1 10/2012 Kamerbeek et al.
2013/0105340 A1 5/2013 Hother et al.
2013/0209618 A1 8/2013 Trombetta et al.
2013/0327223 A1 12/2013 Bartoli et al.
2013/0333575 A1 12/2013 Kamerbeek et al.
2014/0026761 A1 1/2014 Bartoli et al.

2014/0161937 A1 6/2014 Rondelli
2014/0196608 A1 7/2014 Amrein et al.
2014/0302204 A1 10/2014 Evers et al.
2014/0318380 A1 10/2014 Doglioni Majer
2014/0335232 A1 11/2014 Beth Halachmi
2015/0021209 A1 1/2015 Rondelli
2015/0068405 A1 3/2015 Bartoli et al.
2015/0072052 A1 3/2015 Bartoli et al.
2015/0321833 A1 11/2015 Temple, Jr. et al.
2015/0329282 A1 11/2015 Bartoli et al.
2015/0344219 A1 12/2015 Bartoli et al.
2015/0367269 A1 12/2015 Bartoli et al.
2016/0037961 A1 2/2016 Digiuni
2016/0264349 A1 9/2016 Kamerbeek et al.
2016/0362246 A1 * 12/2016 Garcin A23F 5/262
2017/0036855 A1 2/2017 Bartoli et al.
2017/0036856 A1 2/2017 Bartoli et al.
2017/0158422 A1 * 6/2017 Andreae B65B 29/022
2017/0210553 A1 7/2017 Burress et al.
2018/0035840 A1 2/2018 Digiuni
2018/0273287 A1 9/2018 Stas
2018/0305115 A1 10/2018 Bartoli et al.
2018/0305117 A1 10/2018 Kamerbeek et al.
2019/0053513 A1 2/2019 Beth Halachmi
2020/0207541 A1 7/2020 Kamerbeek et al.

FOREIGN PATENT DOCUMENTS

EP 2489609 B1 11/2013
EP 2465793 B1 7/2014
EP 1604915 B1 8/2016
EP 3042860 B1 2/2018
WO 2004071899 A1 8/2004
WO 2005077811 A2 8/2005
WO 2008050190 5/2008
WO 2010137954 A1 12/2010
WO 2012004256 A1 1/2012
WO 2012080501 A1 6/2012
WO 2012080928 A1 6/2012
WO 2012104760 A1 8/2012
WO 2012117383 A1 9/2012
WO 2012138473 A1 10/2012
WO 2013029184 A1 3/2013
WO 2013076519 A1 5/2013
WO 2013121421 A1 8/2013
WO 2013132450 A1 9/2013
WO 2013136209 A1 9/2013
WO 2013156932 A1 10/2013
WO 2013157924 A1 10/2013
WO 2014102701 A1 7/2014
WO 2014102702 A1 7/2014
WO 2014125440 8/2014
WO 2017068535 A1 4/2017

OTHER PUBLICATIONS

Nespresso Compatible Capsules, posted at Amazon.com on May 22, 2017, [site visited May 20, 2022]. Available from internet, URL: <<https://www.amazon.co.uk/dp/B0716ZL29F/>> (Year: 2017).*
CAFEPD Craft Coffee, posted at Amazon.com on Apr. 2, 2020, [site visited May 20, 2022]. Available from internet, URL: <<https://www.amazon.co.uk/dp/B086Q4CHP8/>> (Year: 2020).*

* cited by examiner

FIG. 1

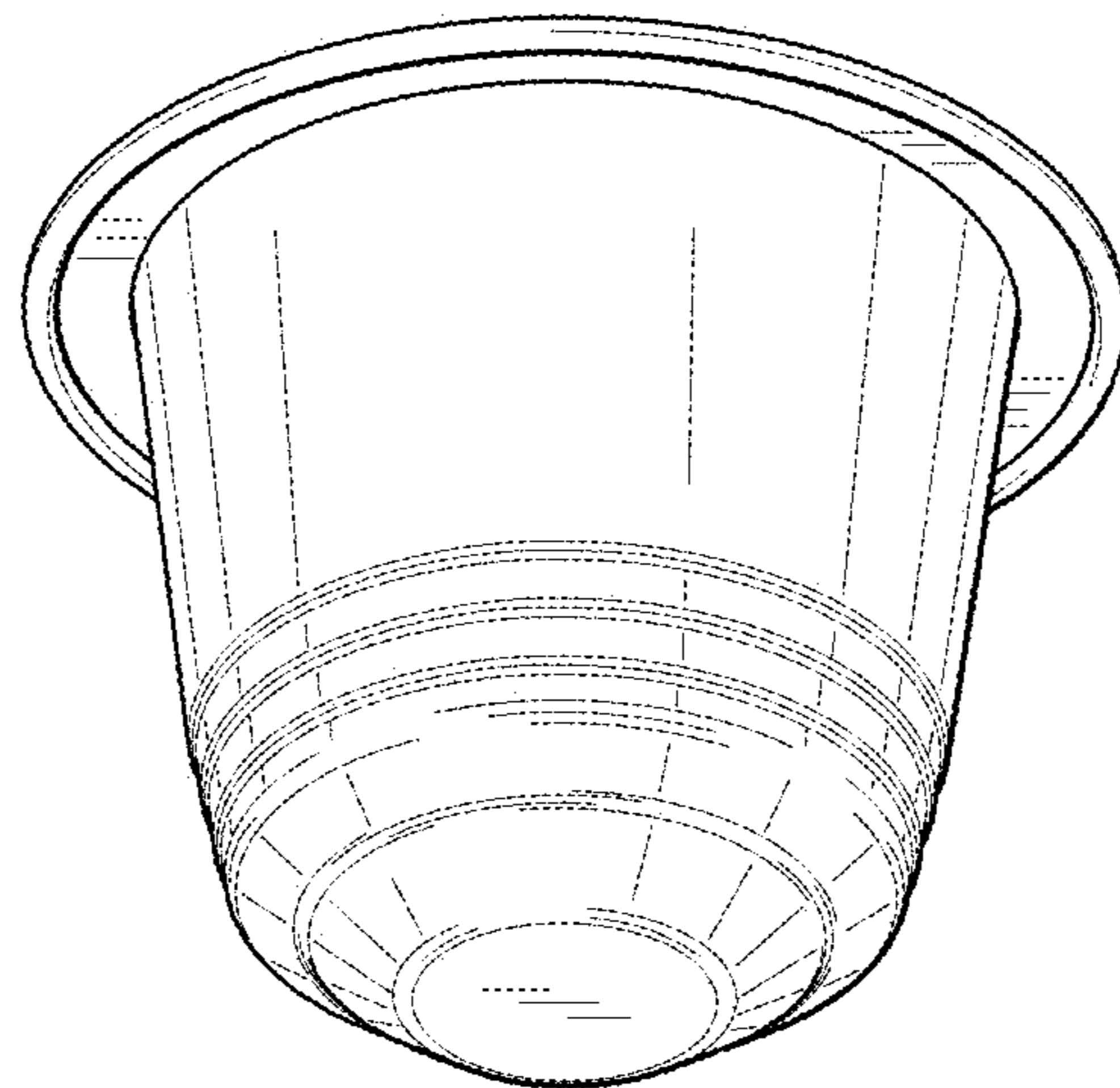
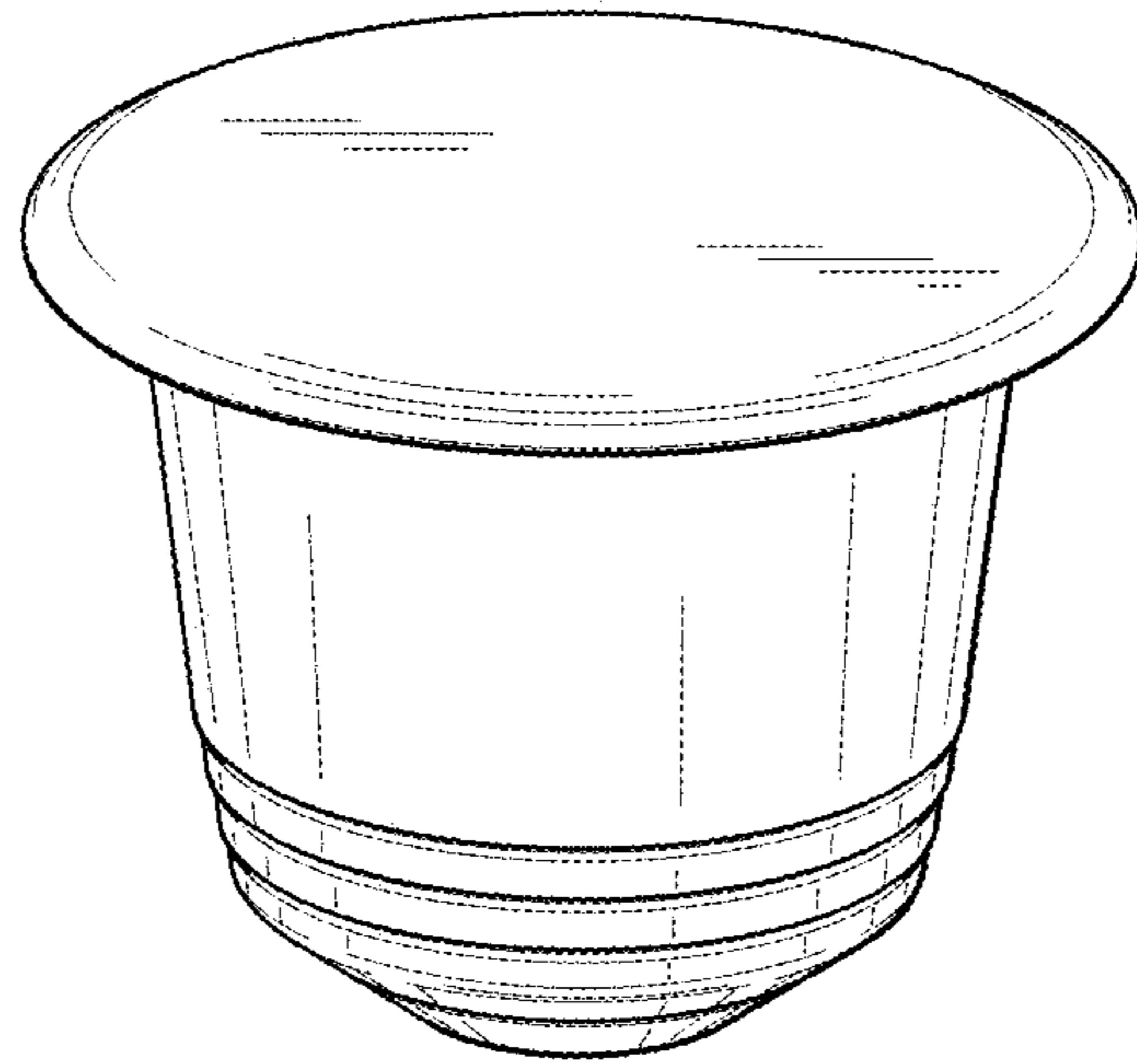


FIG. 2

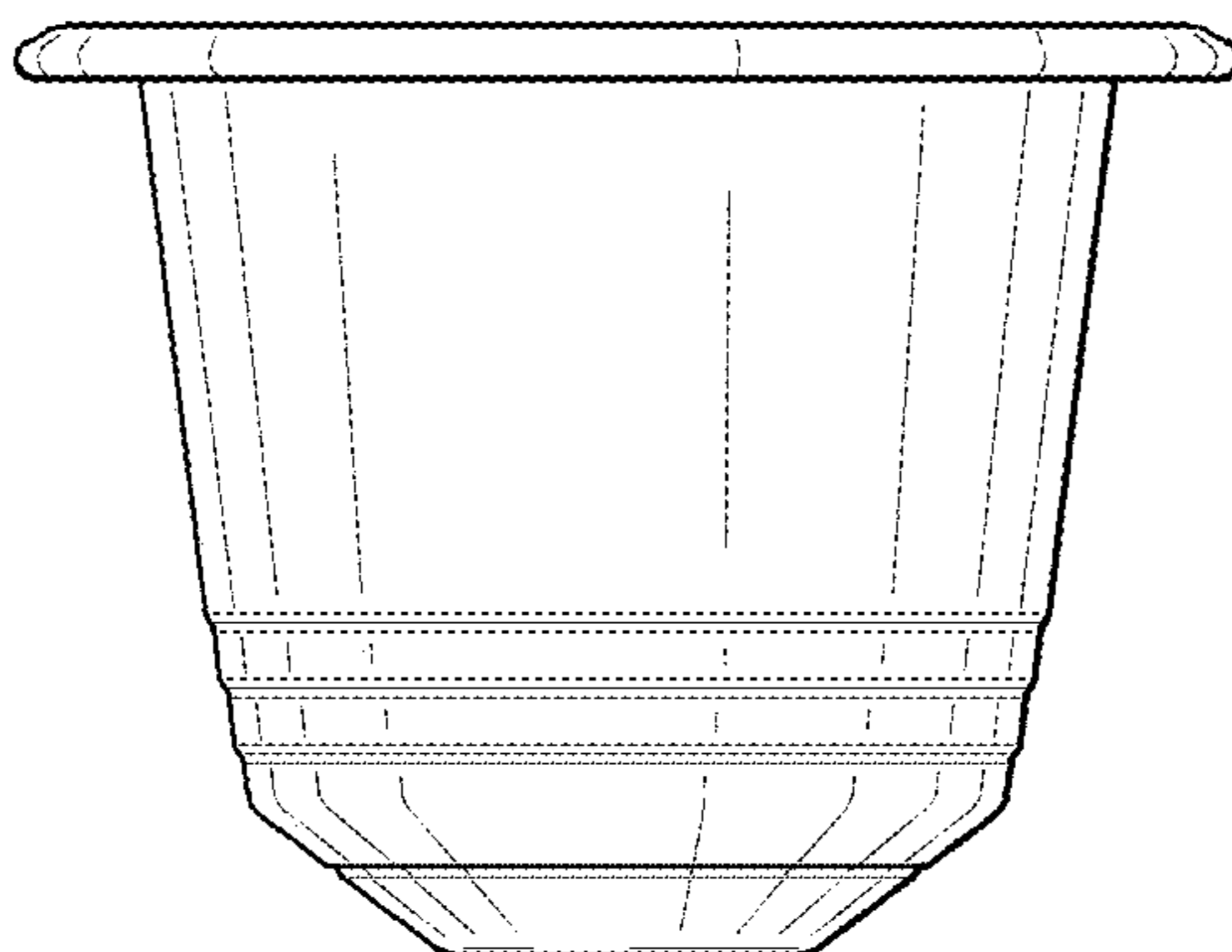


FIG. 3

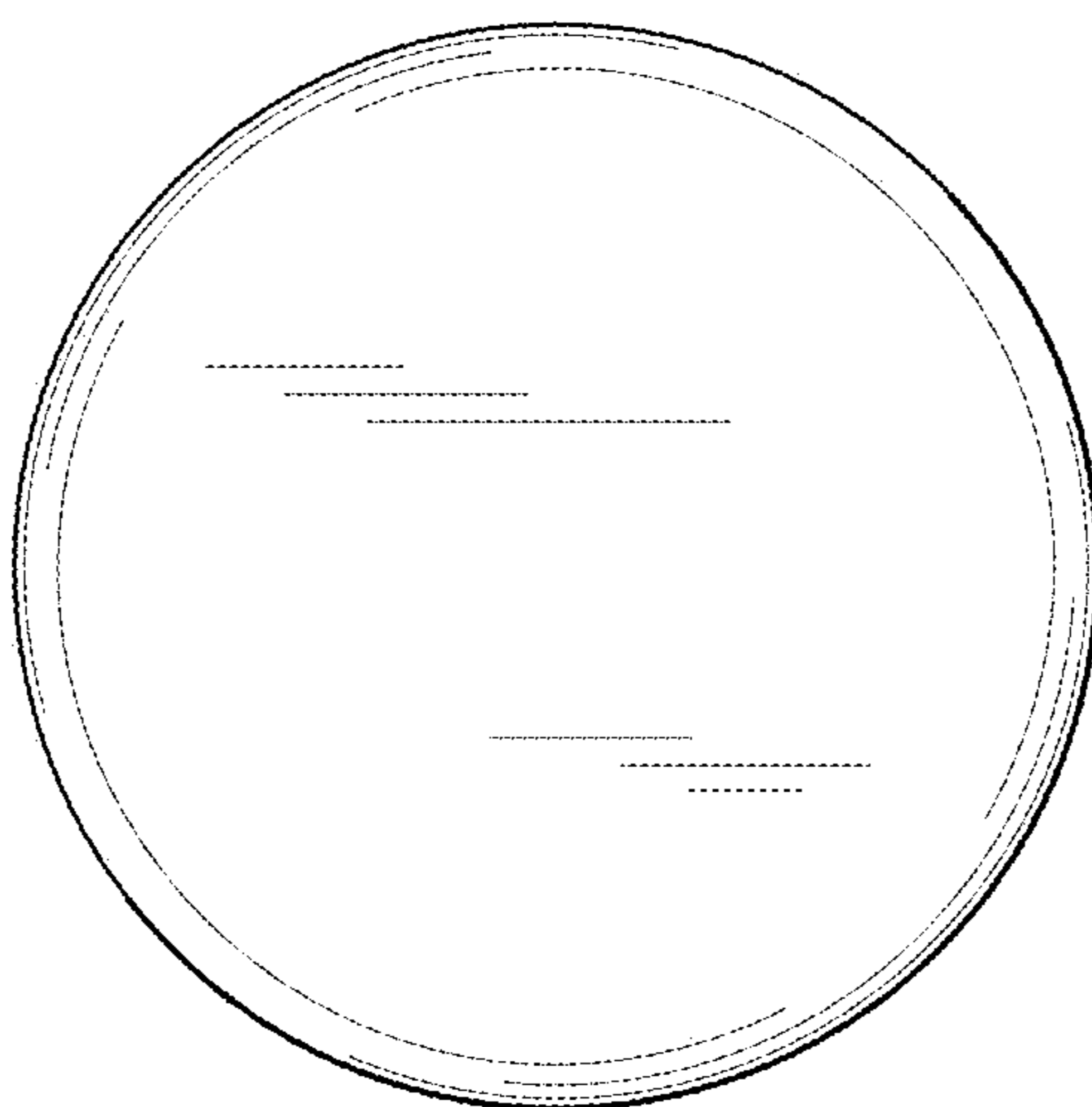


FIG. 4

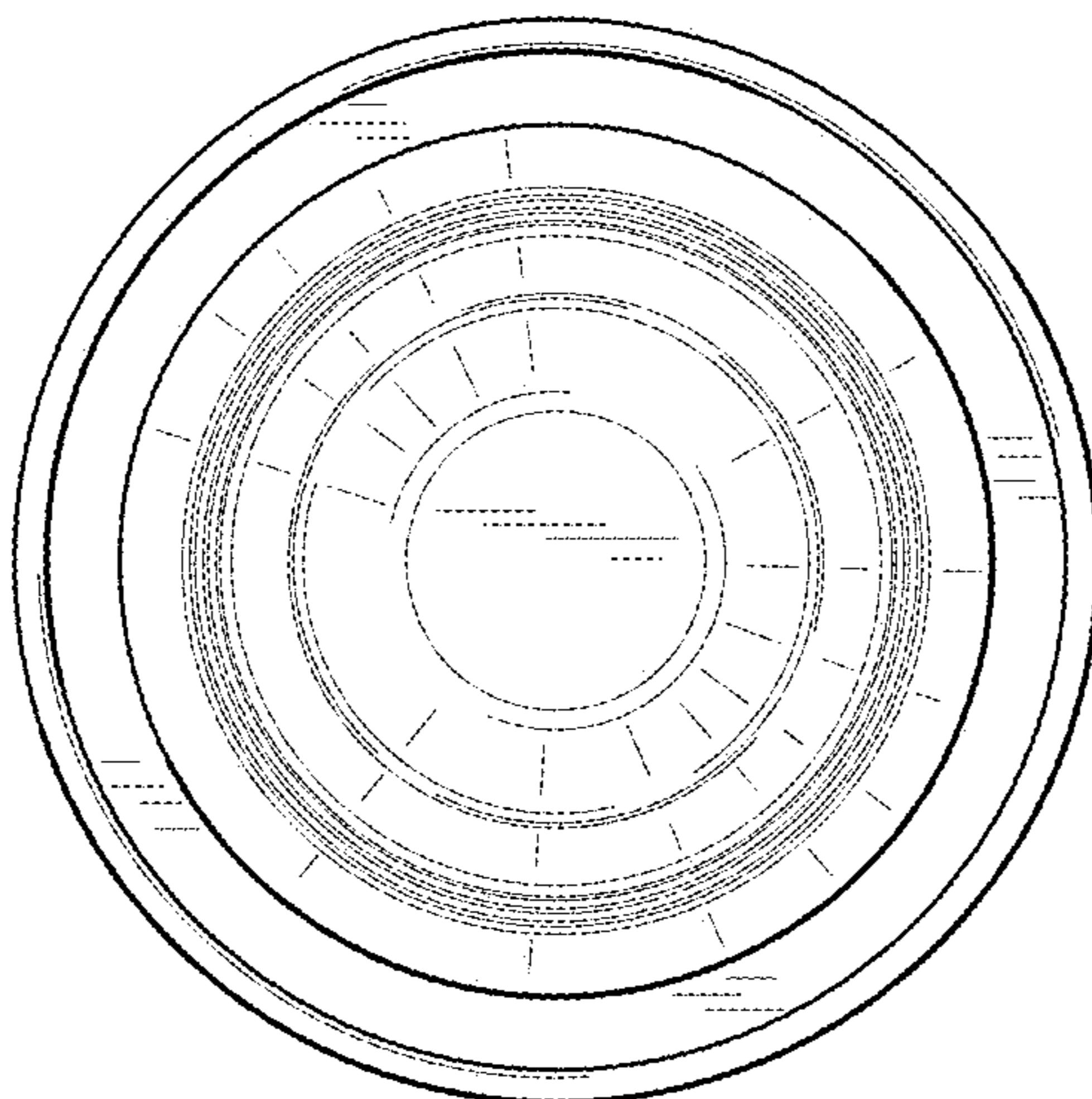


FIG. 5