



US00D969544S

(12) **United States Design Patent**
Munari

(10) **Patent No.:** **US D969,544 S**

(45) **Date of Patent:** **** Nov. 15, 2022**

(54) **COOKWARE HANDLE**

(71) Applicant: **LA TERMOPLASTIC F.B.M. S.r.l.**,
Arsago Seprio (IT)

(72) Inventor: **Marco Munari**, Cardano al Campo (IT)

(73) Assignee: **LA TERMOPLASTIC F.B.M. S.r.l.**,
Arsago Seprio (IT)

(**) Term: **15 Years**

(21) Appl. No.: **29/741,768**

(22) Filed: **Jul. 15, 2020**

(30) **Foreign Application Priority Data**

Feb. 4, 2020 (EM) 007660154

(51) **LOC (13) Cl.** **07-02**

(52) **U.S. Cl.**
USPC **D7/395**

(58) **Field of Classification Search**

USPC D7/393-396, 387, 323, 354, 360-361,
D7/402, 533-536, 401.2, 398, 391, 619.1;
D8/300, 303, 307, 313, 321, 315, 317,
D8/320, 310, 312; D12/178; D34/27
CPC A47J 45/071; A47J 45/072; A47J 45/074;
A47J 45/07; A47J 45/00; A47J 45/06;
A47J 45/061; A47J 45/062; A47J 45/063;
B65D 25/2802; B65D 25/2882

See application file for complete search history.

(56) **References Cited**

U.S. PATENT DOCUMENTS

D618,051 S * 6/2010 Munari D7/395
D622,098 S * 8/2010 Pantaleo D7/395

D736,032 S * 8/2015 Munari D7/395
D784,756 S * 4/2017 Dingjian D7/395
D828,087 S * 9/2018 Munari D7/395
D924,627 S * 7/2021 Munari D7/395
D924,628 S * 7/2021 Munari D7/395

OTHER PUBLICATIONS

Introducing the CHEF Professional Cookware Handle, La Termoplastica F.B.M. [online], published Jan. 18, 2021, [retrieved on Mar. 4, 2022]. Retrieved from the Internet, URL: <https://blog.fbm.eu/introducing-the-mo-chef-professional-cookware-handle>.*

* cited by examiner

Primary Examiner — Nicole C Shiflet

(74) *Attorney, Agent, or Firm* — Cantor Colburn LLP

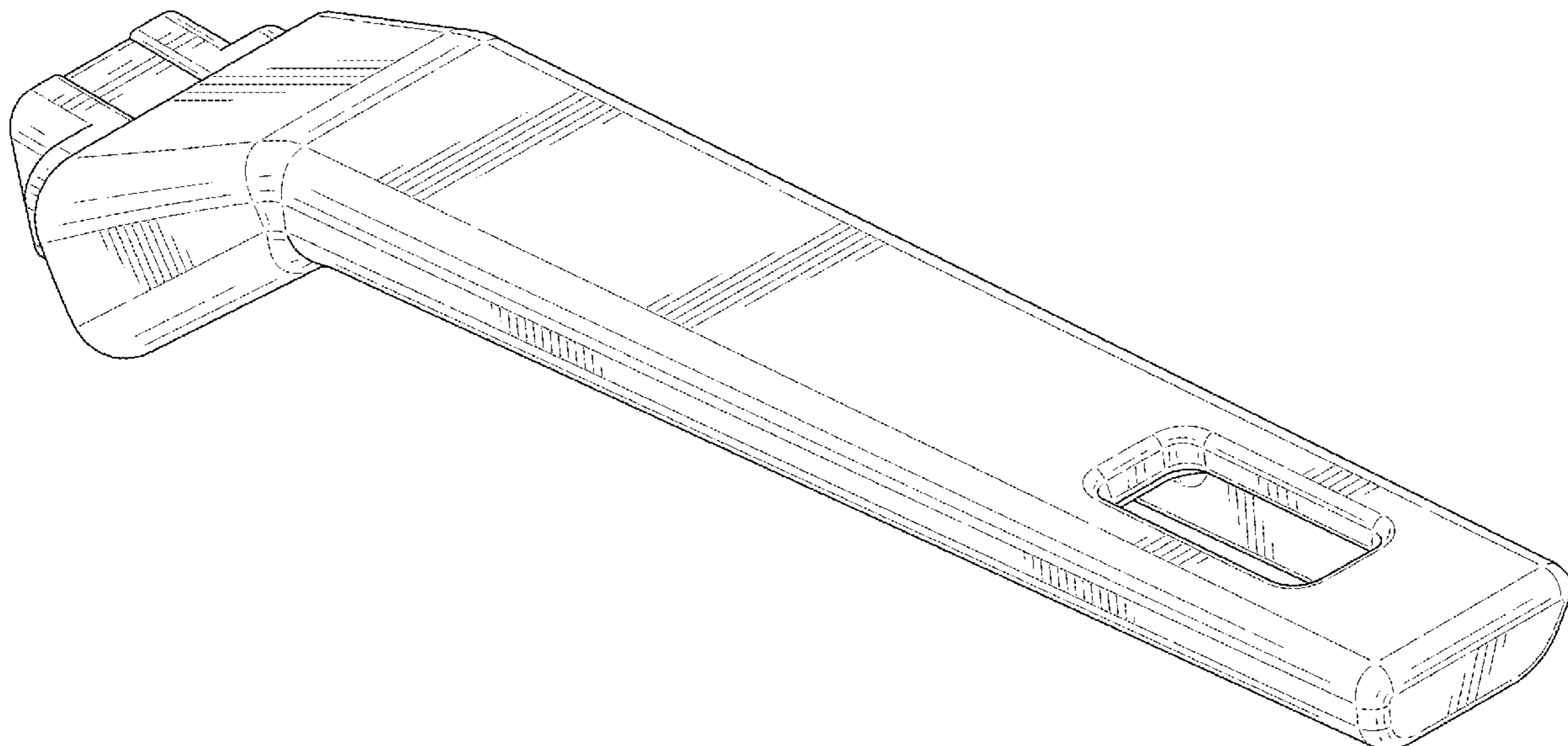
(57) **CLAIM**

The ornamental design for a cookware handle, as shown and described.

DESCRIPTION

FIG. 1 is a top perspective view of a cookware handle, showing my new design;
FIG. 2 is a top plan view thereof;
FIG. 3 is a bottom plan view thereof;
FIG. 4 is a right side elevation view thereof;
FIG. 5 is a front elevation view thereof;
FIG. 6 is a rear elevation view thereof;
FIG. 7 is a bottom perspective view thereof; and,
FIG. 8 is a left side elevation view thereof.
The broken lines showing portions of the article form no part of the claimed design.

1 Claim, 7 Drawing Sheets



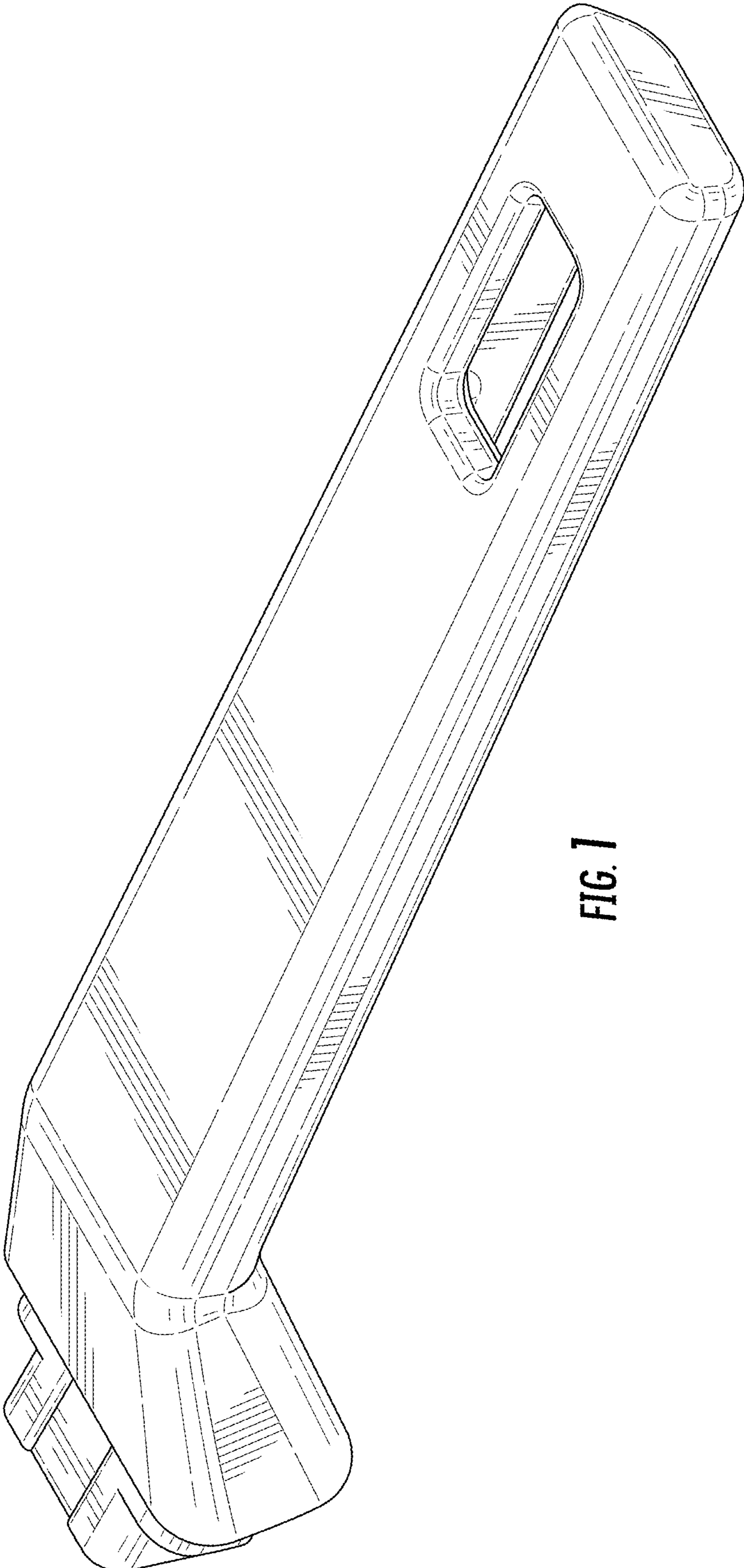


FIG. 1

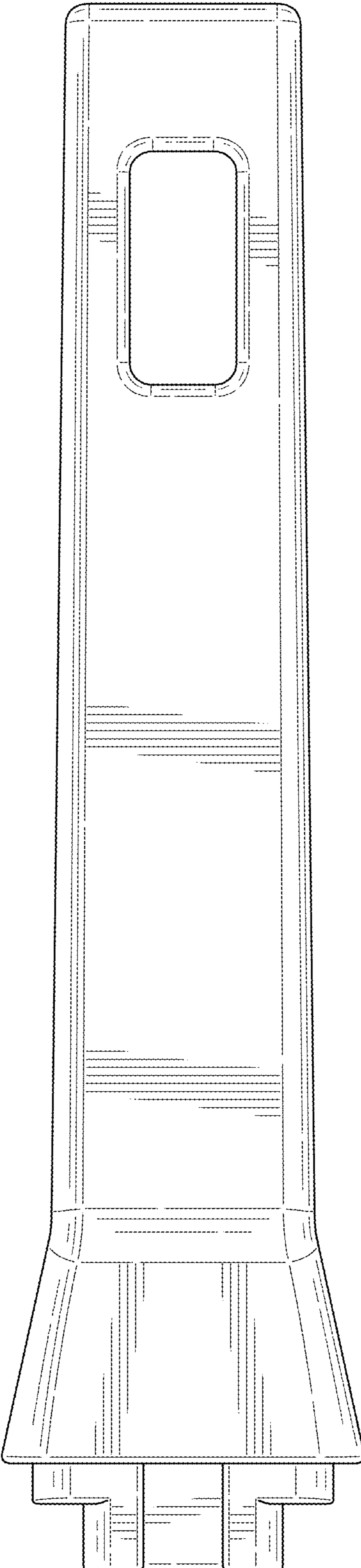


FIG. 2

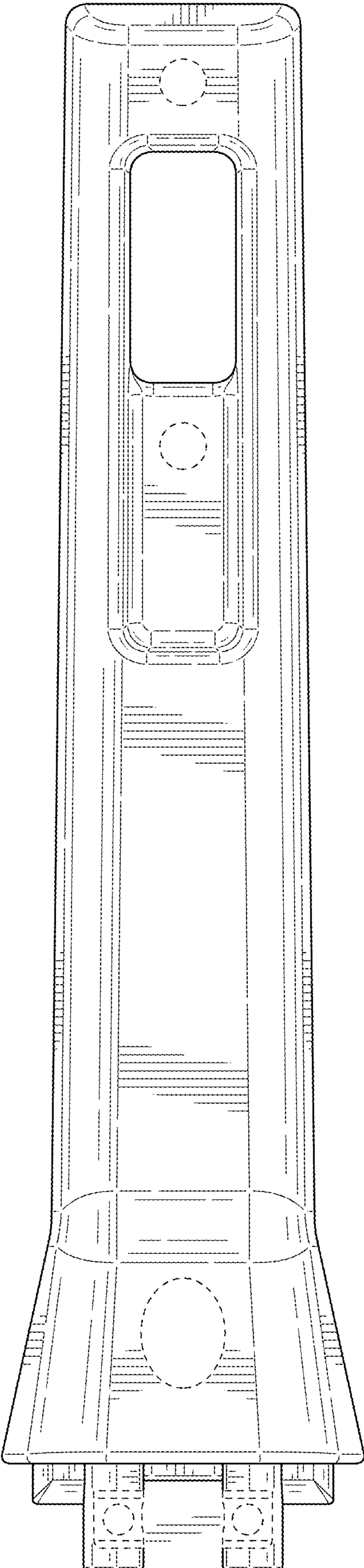


FIG. 3

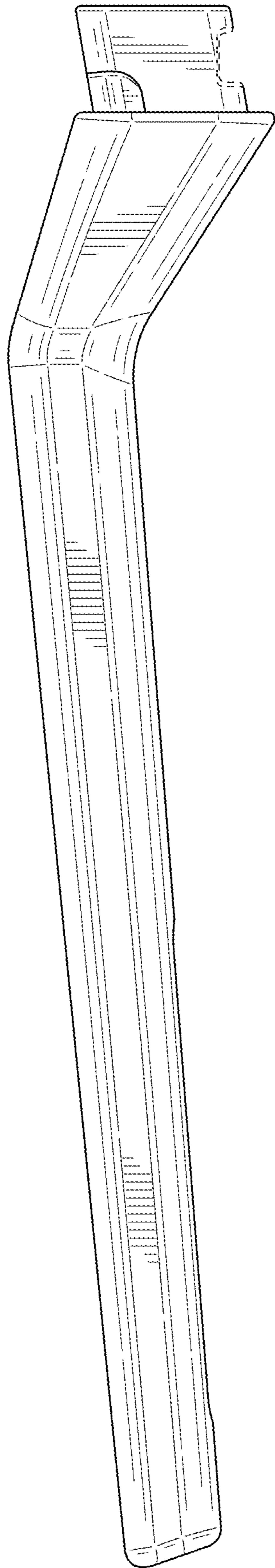


FIG. 4

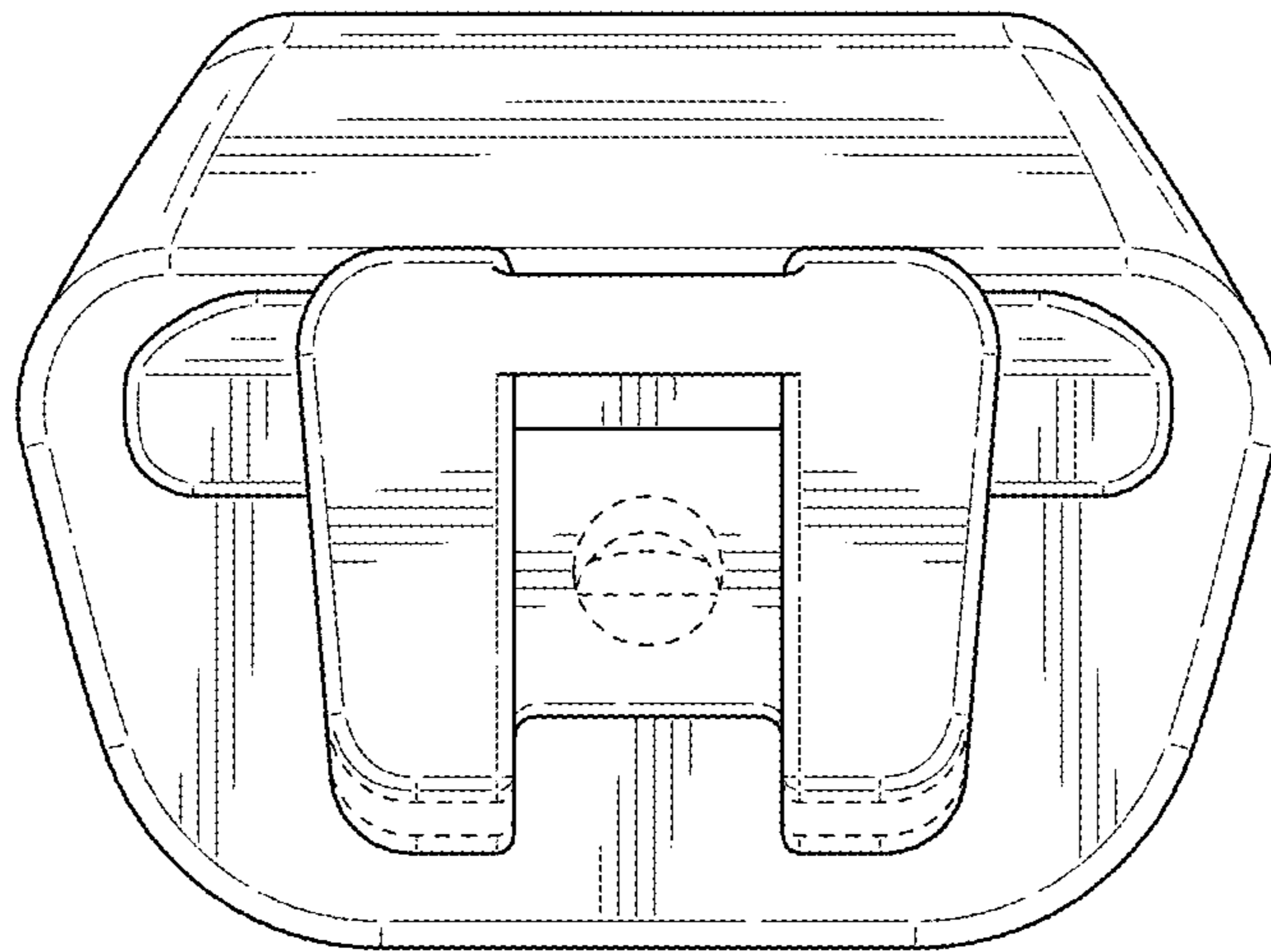


FIG. 5

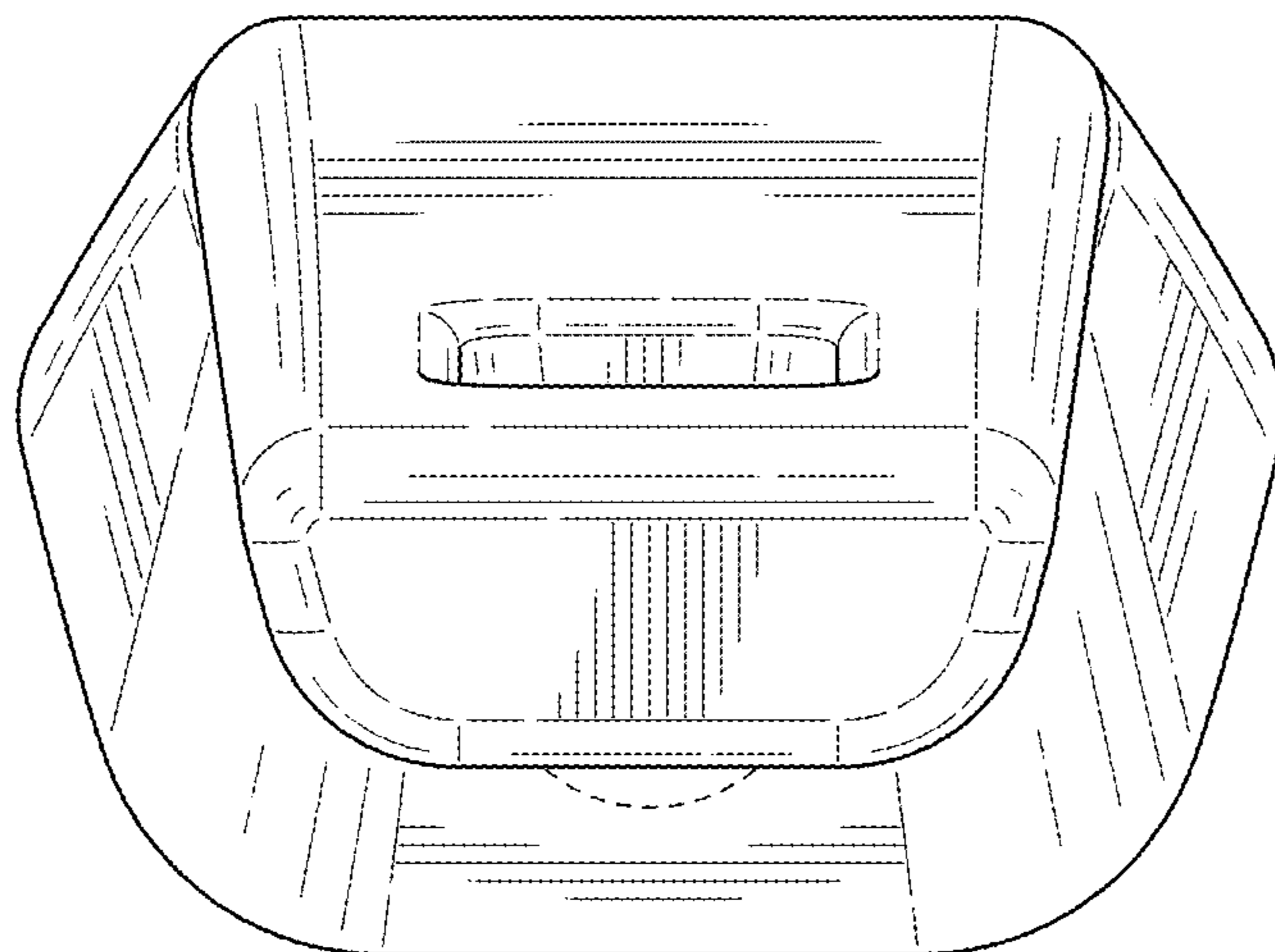


FIG. 6

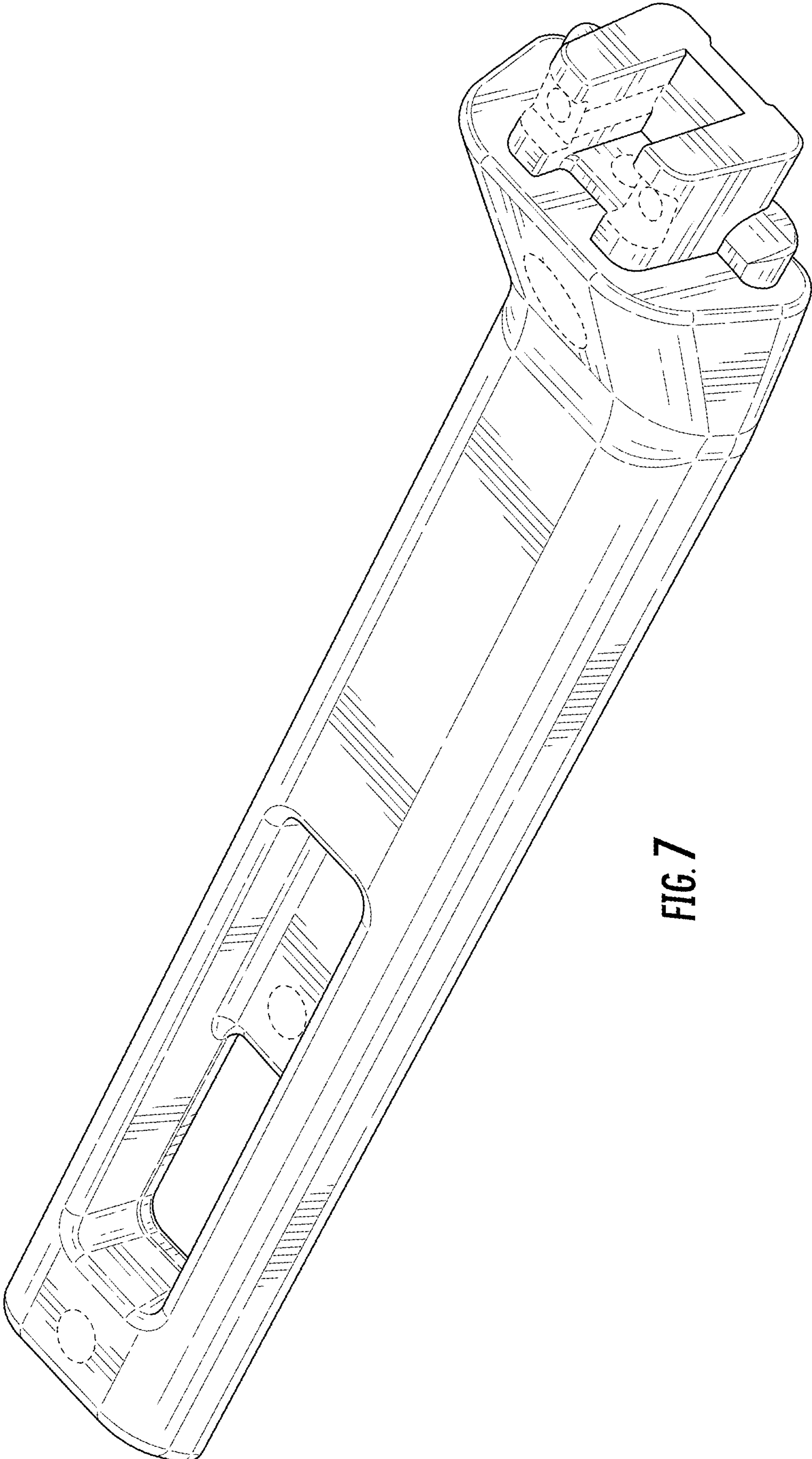


FIG. 7

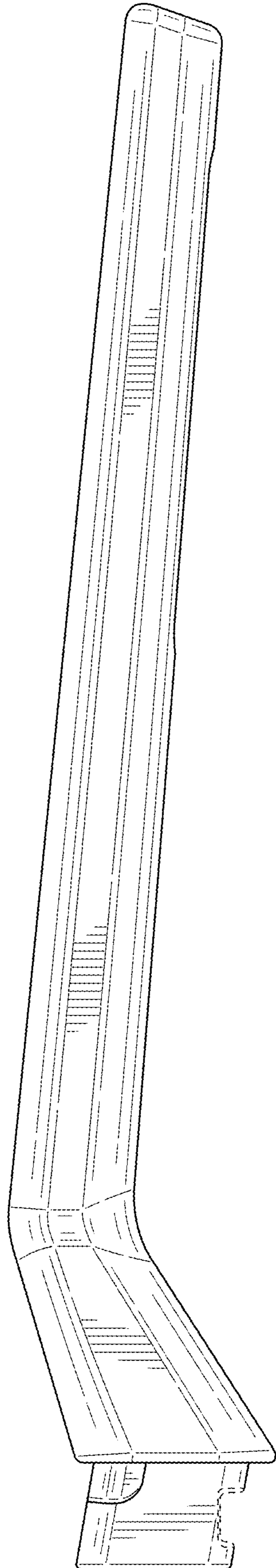


FIG. 8