

US00D969543S

(12) **United States Design Patent**
Munari

(10) **Patent No.:** **US D969,543 S**

(45) **Date of Patent:** **** Nov. 15, 2022**

- (54) **COOKWARE HANDLE**
- (71) Applicant: **LA TERMOPLASTIC F.B.M. S.r.l.**,
Arsago Seprio (IT)
- (72) Inventor: **Marco Munari**, Cardano al Campo (IT)
- (73) Assignee: **LA TERMOPLASTIC F.B.M. S.r.l.**,
Arsago Seprio (IT)

D483,990	S	*	12/2003	Munari	D7/395
D575,983	S	*	9/2008	Giannone	D7/395
D617,606	S	*	6/2010	Munari	D7/395
D629,647	S	*	12/2010	Munari	D7/395
D686,873	S	*	7/2013	Rae	D7/395
D741,108	S	*	10/2015	Munari	D7/395
D839,046	S	*	1/2019	Munari	D7/395
2017/0360260	A1	*	12/2017	Munari	F16B 19/04
2021/0235939	A1	*	8/2021	Munari	A47J 45/071

- (**) Term: **15 Years**
- (21) Appl. No.: **29/741,765**
- (22) Filed: **Jul. 15, 2020**

- (30) **Foreign Application Priority Data**
Feb. 4, 2020 (EM) 007660154
- (51) **LOC (13) Cl.** **07-02**
- (52) **U.S. Cl.**
USPC **D7/395**
- (58) **Field of Classification Search**
USPC D7/393-396, 387, 323, 354, 360-361,
D7/402, 533-536, 401.2, 398, 391, 619.1;
D8/300, 303, 307, 313, 321, 315, 317,
D8/320, 310, 312; D12/178; D34/27
CPC A47J 45/071; A47J 45/072; A47J 45/074;
A47J 45/07; A47J 45/00; A47J 45/06;
A47J 45/061; A47J 45/062; A47J 45/063;
B65D 25/2802; B65D 25/2882
See application file for complete search history.

- (56) **References Cited**
U.S. PATENT DOCUMENTS
D331,171 S * 11/1992 Berthet D7/393
D347,967 S * 6/1994 Munari D7/395
D369,273 S * 4/1996 Munari D7/395

OTHER PUBLICATIONS

F.B.M. Launches New Removable Handle Virtus, La Termoplastica F.B.M. [online], published Oct. 4, 2021, [retrieved on Mar. 4, 2022]. Retrieved from the Internet, URL: <https://blog.fbm.eu/the-new-removable-cookware-handle-virtus>.*

* cited by examiner

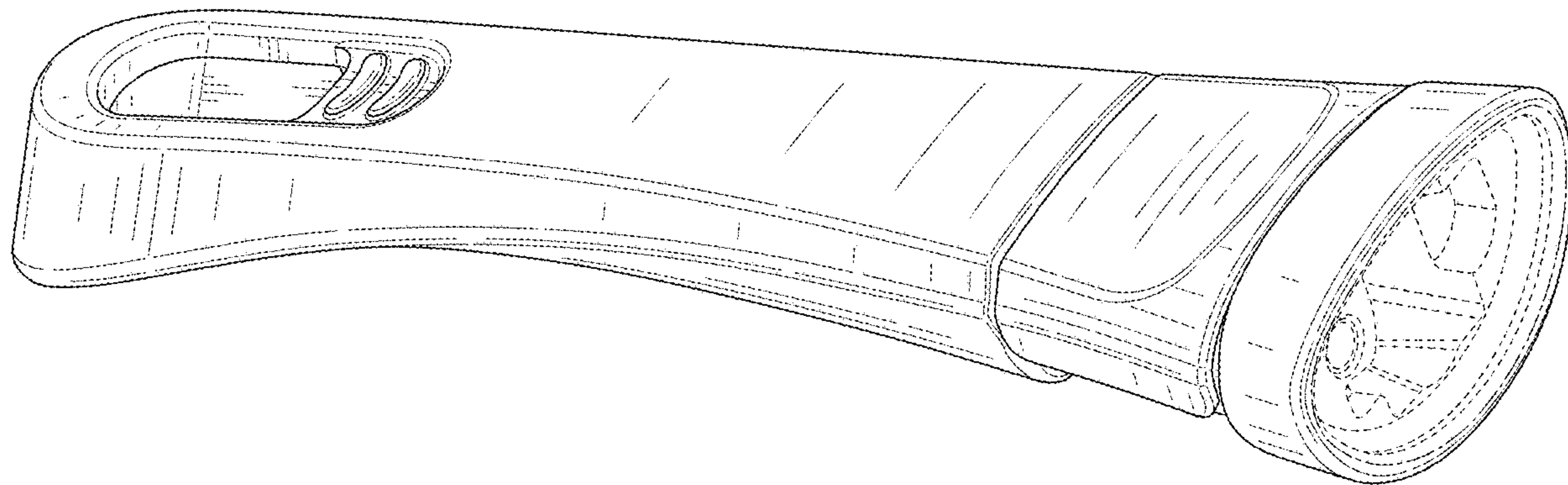
Primary Examiner — Nicole C Shiflet
(74) *Attorney, Agent, or Firm* — Cantor Colburn LLP

(57) **CLAIM**
The ornamental design for a cookware handle, as shown and described.

DESCRIPTION

FIG. 1 is a top perspective view showing a design of a cookware handle, showing my new design;
FIG. 2 is a top plan view thereof;
FIG. 3 is a bottom plan view thereof;
FIG. 4 is a right side elevation view thereof;
FIG. 5 is a left side elevation view thereof;
FIG. 6 is a rear elevation view thereof;
FIG. 7 is a bottom perspective view thereof; and,
FIG. 8 is a front elevation view thereof.
The broken lines showing portions of the article form no part of the claimed design.

1 Claim, 8 Drawing Sheets



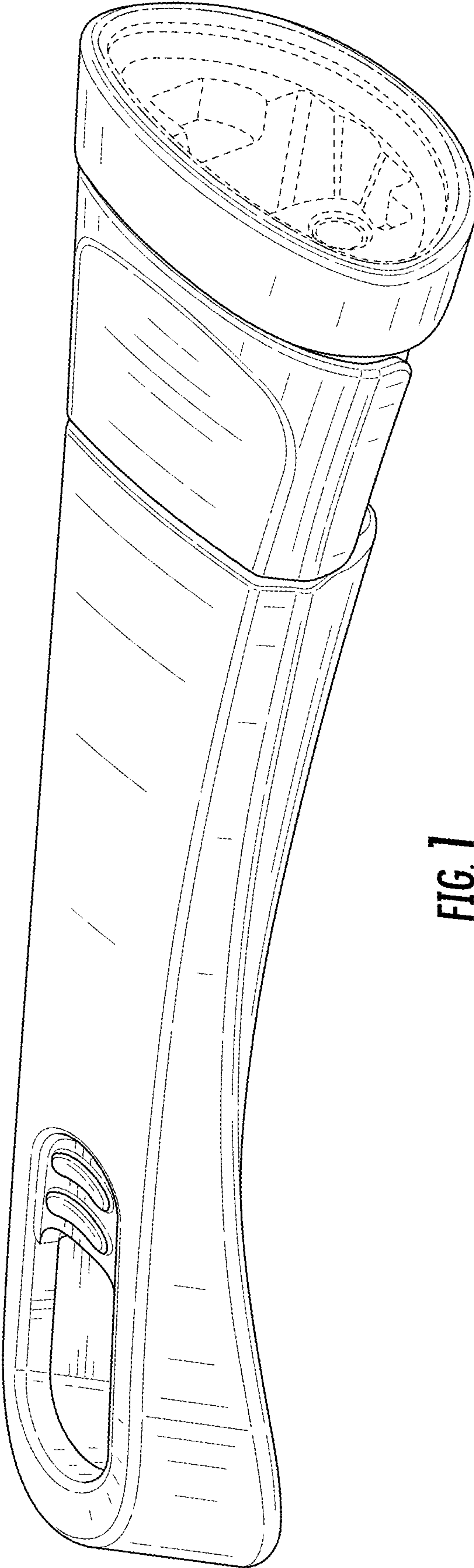


FIG. 1

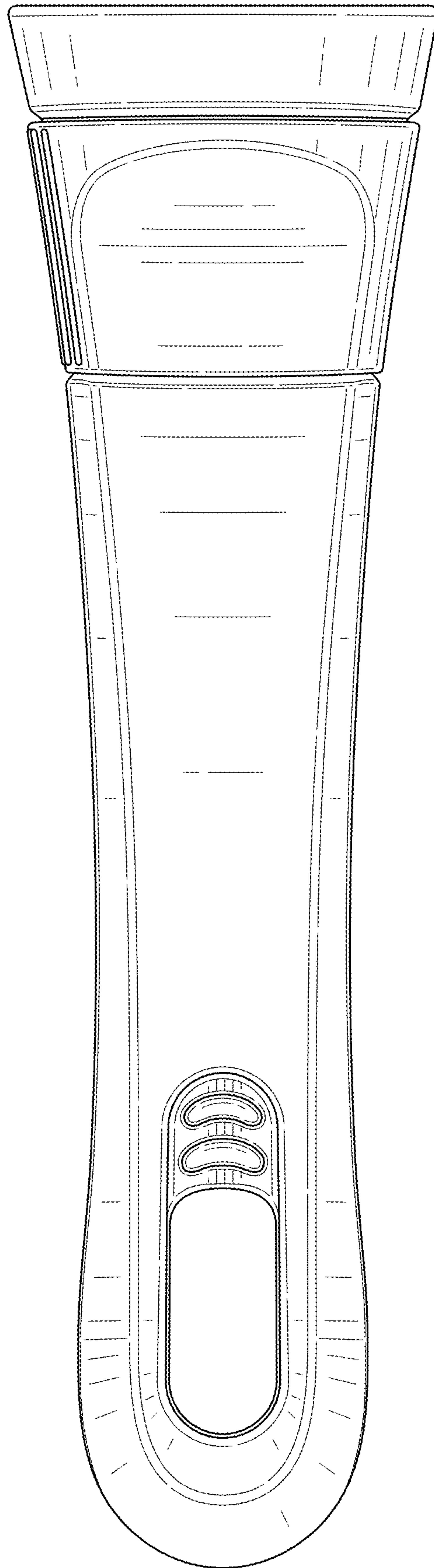


FIG. 2

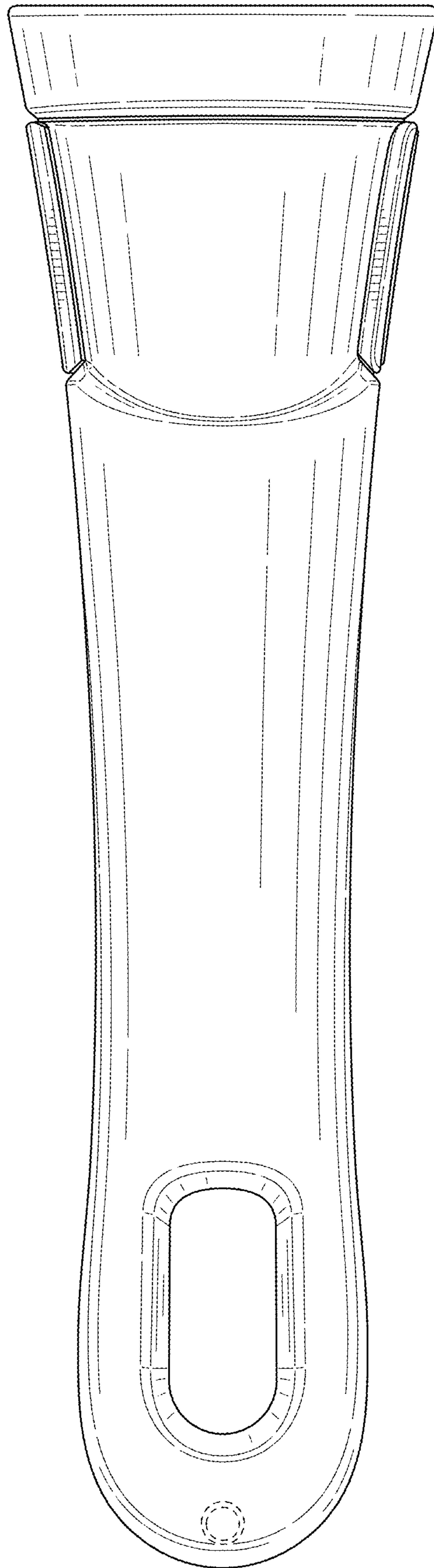


FIG. 3

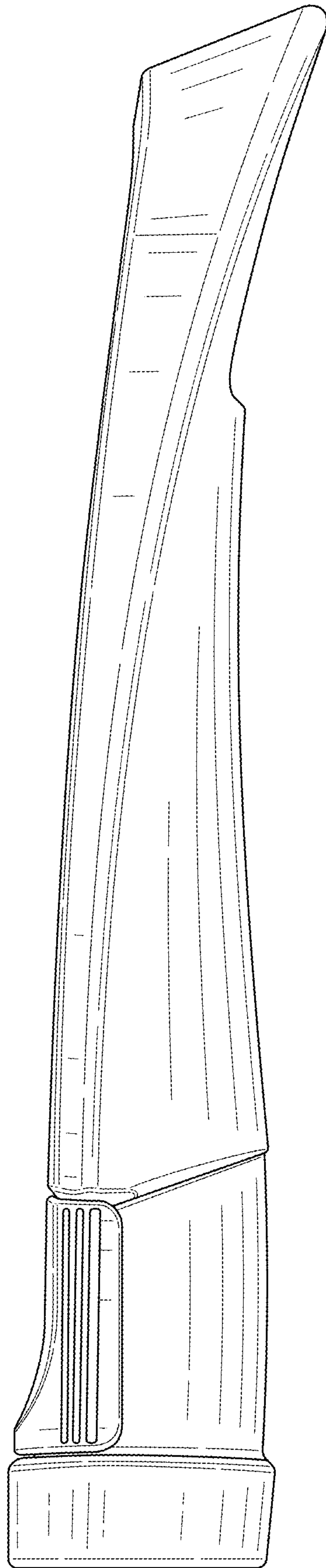


FIG. 4

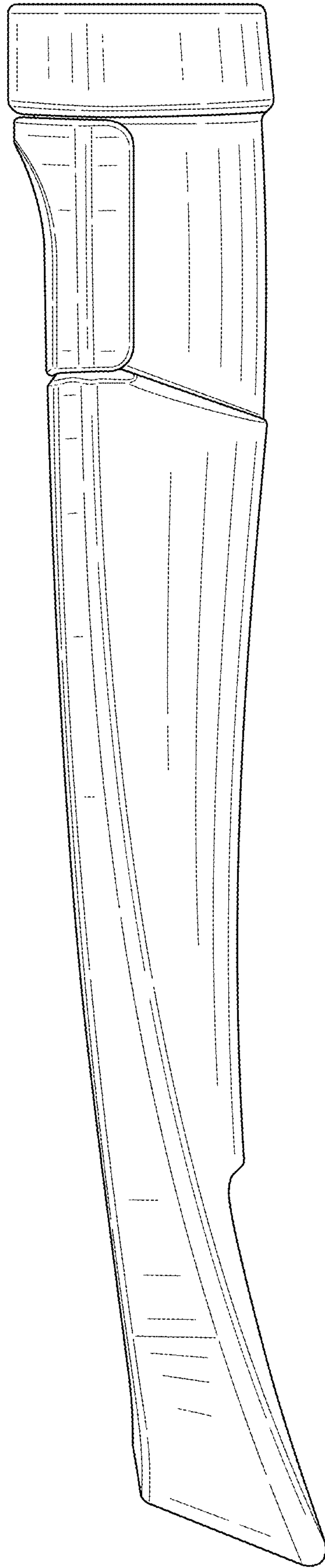


FIG. 5

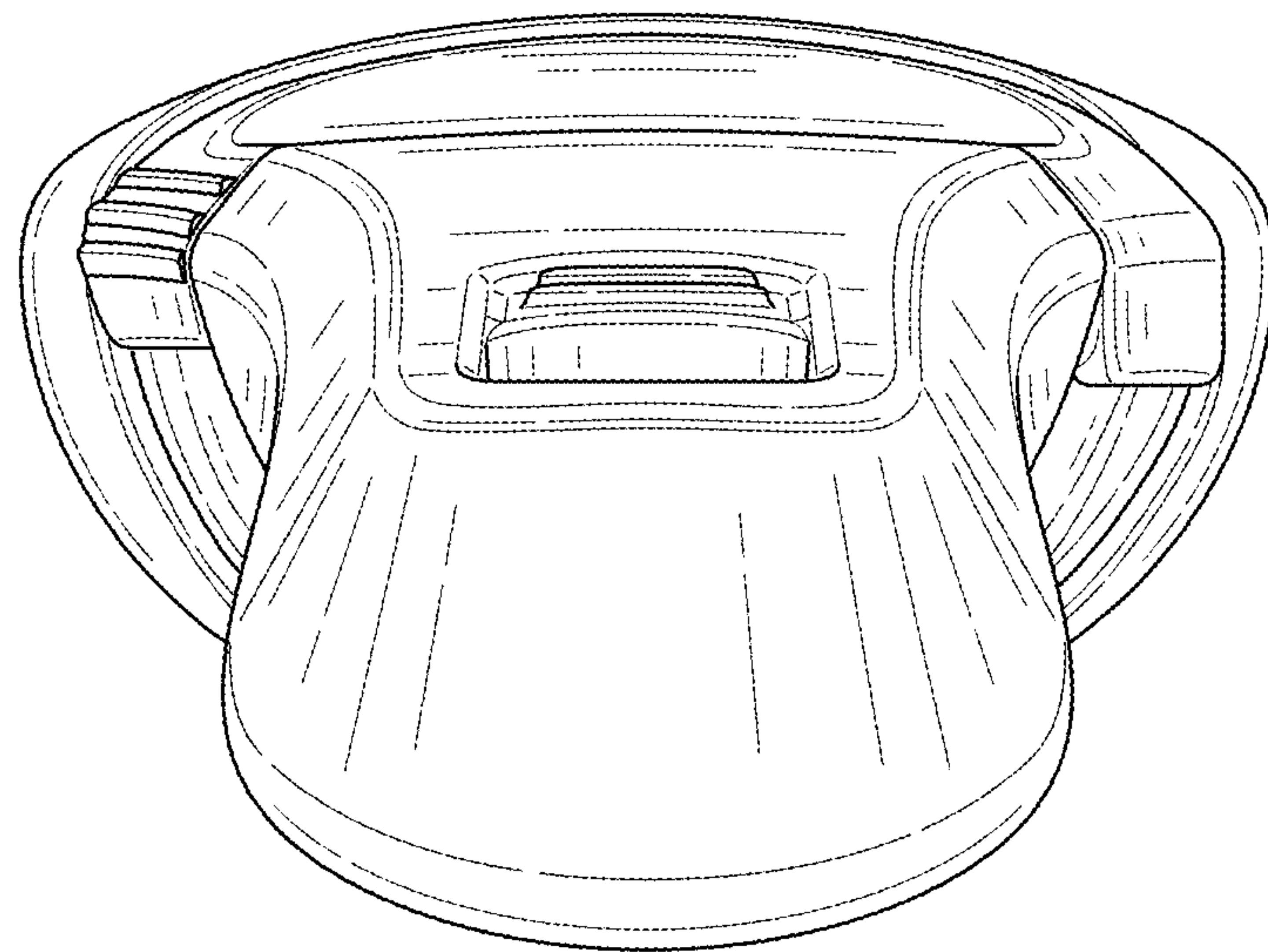


FIG. 6

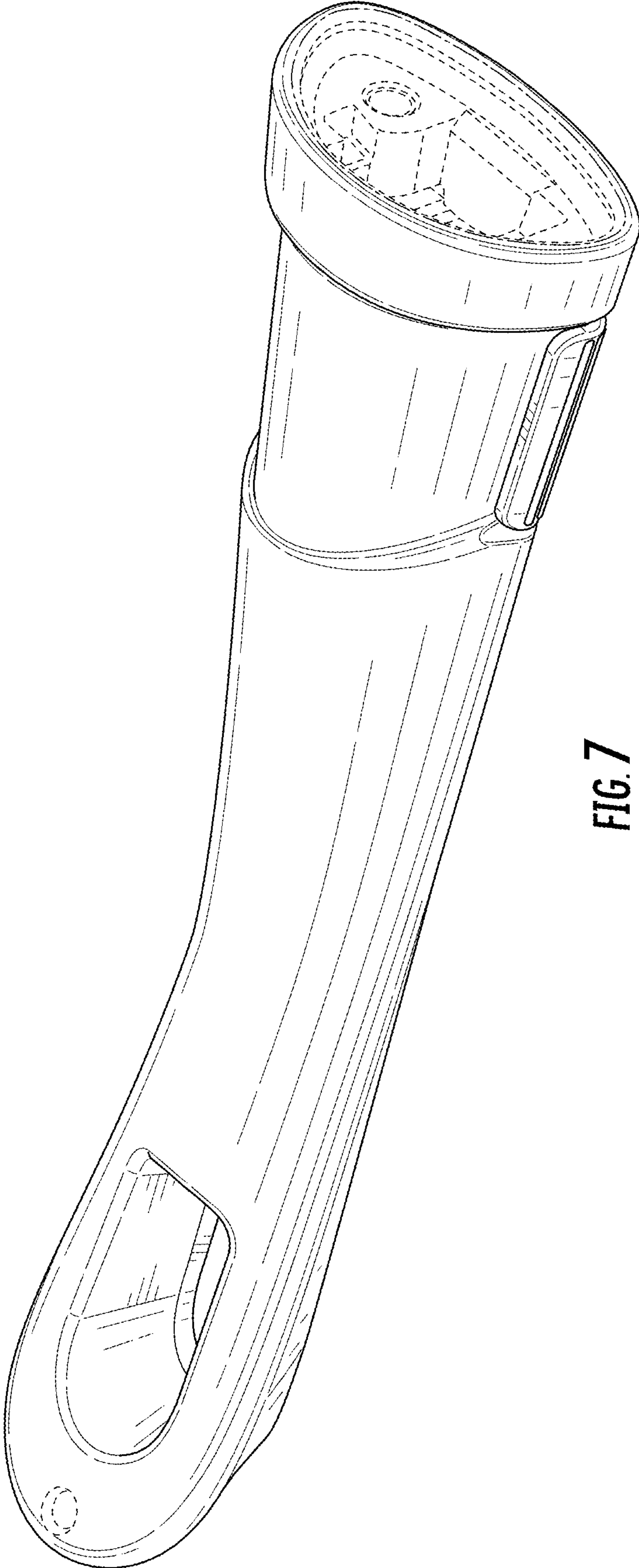


FIG. 7

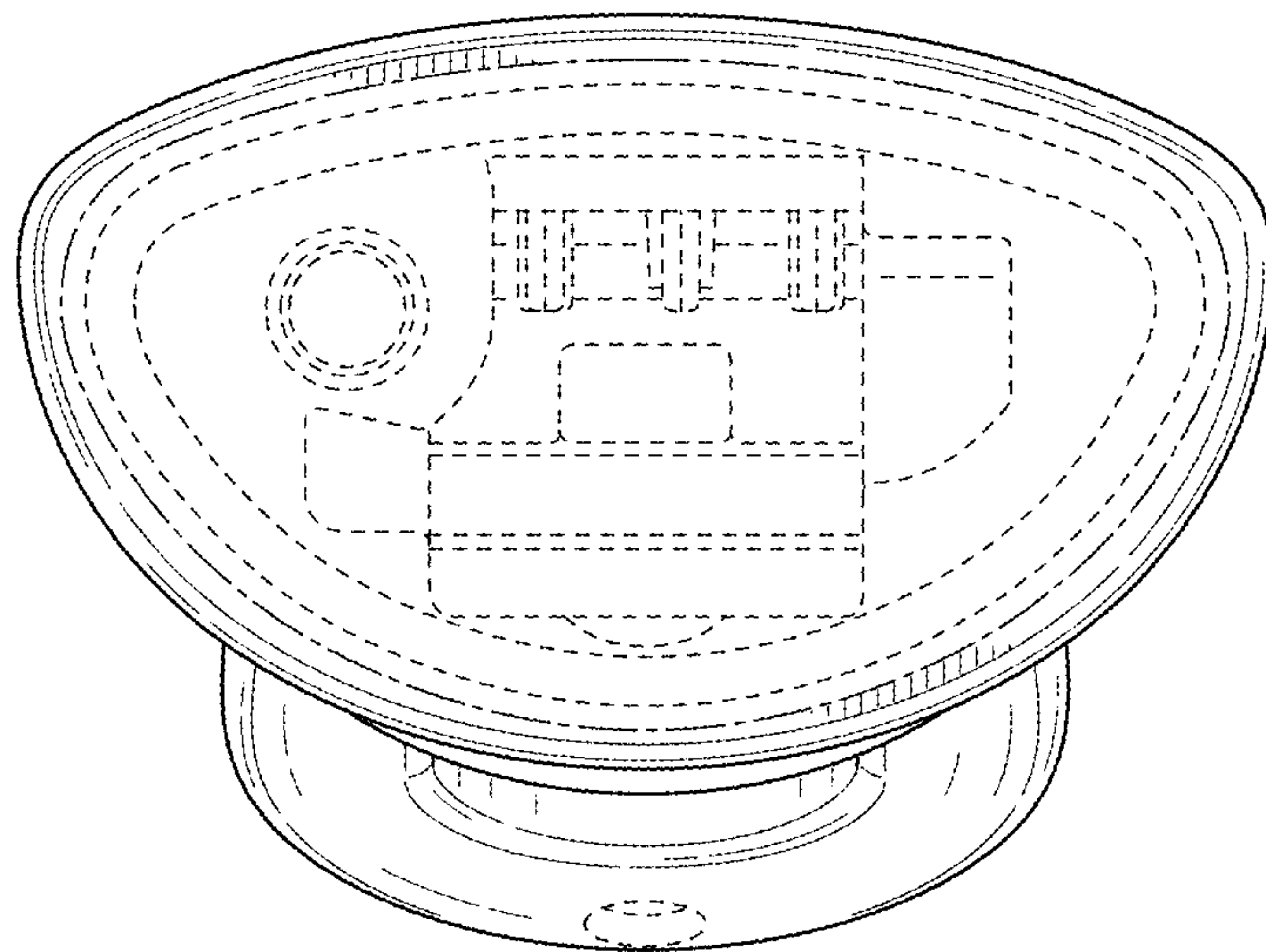


FIG. 8