

US00D969542S

(12) **United States Design Patent**  
**Nakonechnyi**

(10) **Patent No.:** **US D969,542 S**

(45) **Date of Patent:** **\*\* Nov. 15, 2022**

(54) **LID HANDLE**

(71) Applicant: **Timofei Nakonechnyi**, Selo Semenovka  
ISSYK-Kul'skaya Oblast (KG)

(72) Inventor: **Timofei Nakonechnyi**, Selo Semenovka  
ISSYK-Kul'skaya Oblast (KG)

(\*\*) Term: **15 Years**

(21) Appl. No.: **35/511,366**

(22) Filed: **Dec. 25, 2020**

(80) **Hague Agreement Data**

Int. Filing Date: **Dec. 25, 2020**

Int. Reg. No.: **DM/212513**

Int. Reg. Date: **Dec. 25, 2020**

Int. Reg. Pub. Date: **Feb. 12, 2021**

(51) **LOC (13) Cl.** ..... **07-99**

(52) **U.S. Cl.**  
USPC ..... **D7/393**

(58) **Field of Classification Search**  
USPC ..... D7/213, 300, 392.1, 393, 396.2, 398,  
D7/693; D8/307, 310  
CPC ..... B25G 1/102; A47J 45/061; A47J 36/06  
See application file for complete search history.

(56) **References Cited**

**U.S. PATENT DOCUMENTS**

- D128,150 S \* 7/1941 Swofford ..... D7/624.1
- D145,646 S \* 9/1946 Severance ..... D7/392.1
- D157,480 S \* 2/1950 Foss ..... D7/388
- 3,048,317 A \* 8/1962 Cochrane ..... B65D 47/2018  
220/254.1
- 3,805,991 A \* 4/1974 Cheladze ..... B65D 51/1616  
220/373
- 3,940,012 A \* 2/1976 Addington ..... A47G 19/2211  
215/390
- D257,933 S \* 1/1981 Conti ..... D7/391
- 4,991,811 A \* 2/1991 Portnoy ..... A47G 19/02  
248/346.02
- D335,424 S \* 5/1993 Chang ..... D7/391

- 5,419,524 A \* 5/1995 Evans ..... B60S 9/02  
248/346.4
- D551,018 S \* 9/2007 Goodman ..... D7/388
- 7,318,536 B2 \* 1/2008 Maravich ..... B65D 43/0208  
220/780
- D563,156 S \* 3/2008 Goodman ..... D7/387
- D563,195 S \* 3/2008 Ricereto ..... D8/310
- D579,749 S \* 11/2008 Jou ..... D8/305
- D660,679 S \* 5/2012 Han ..... D8/310
- D679,980 S \* 4/2013 Ramsland ..... D8/305

(Continued)

*Primary Examiner* — S. Bryan Reinholdt, Jr.

(74) *Attorney, Agent, or Firm* — Studebaker & Brackett  
PC

(57) **CLAIM**

The ornamental design for a lid handle, as shown and described.

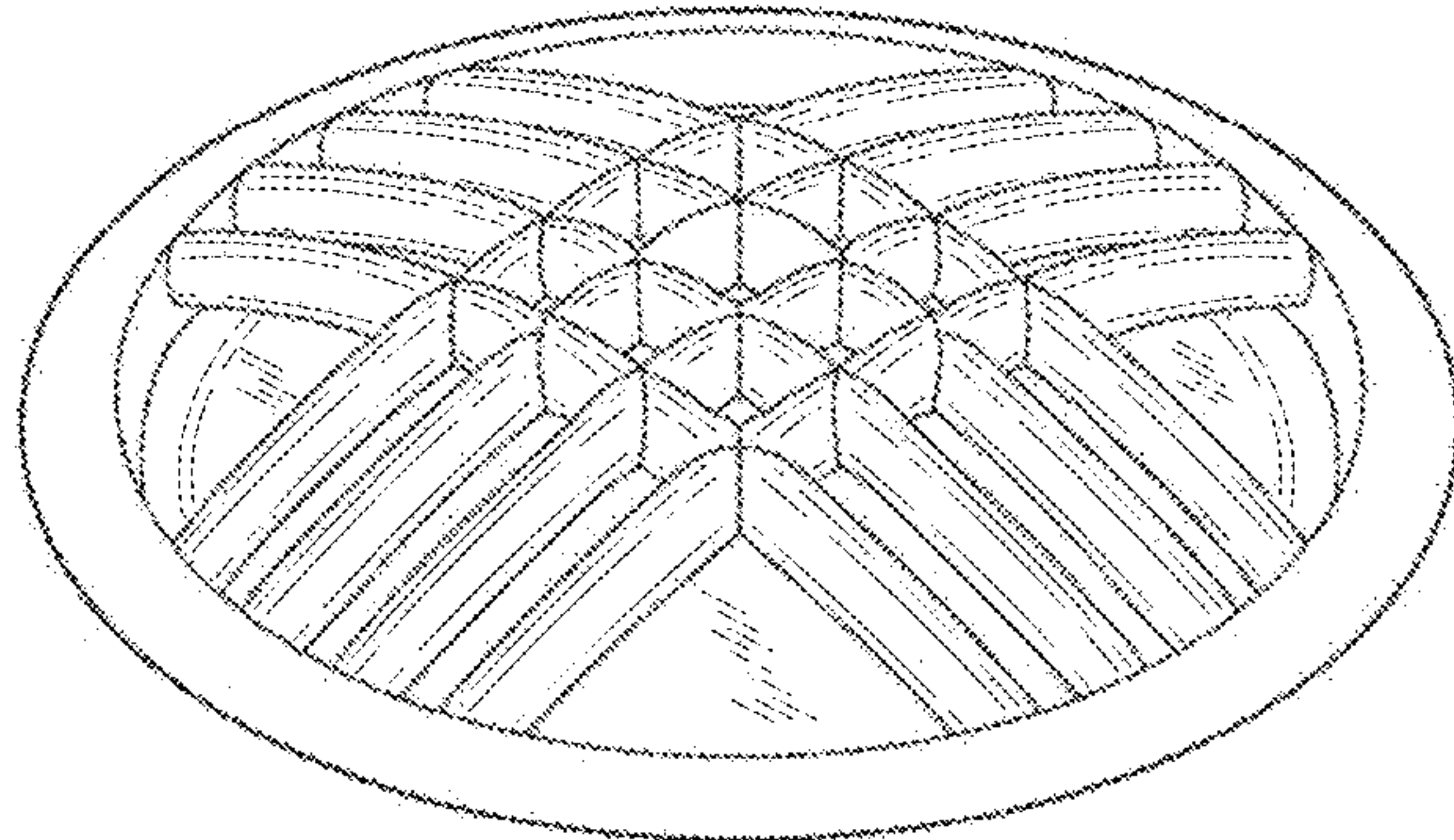
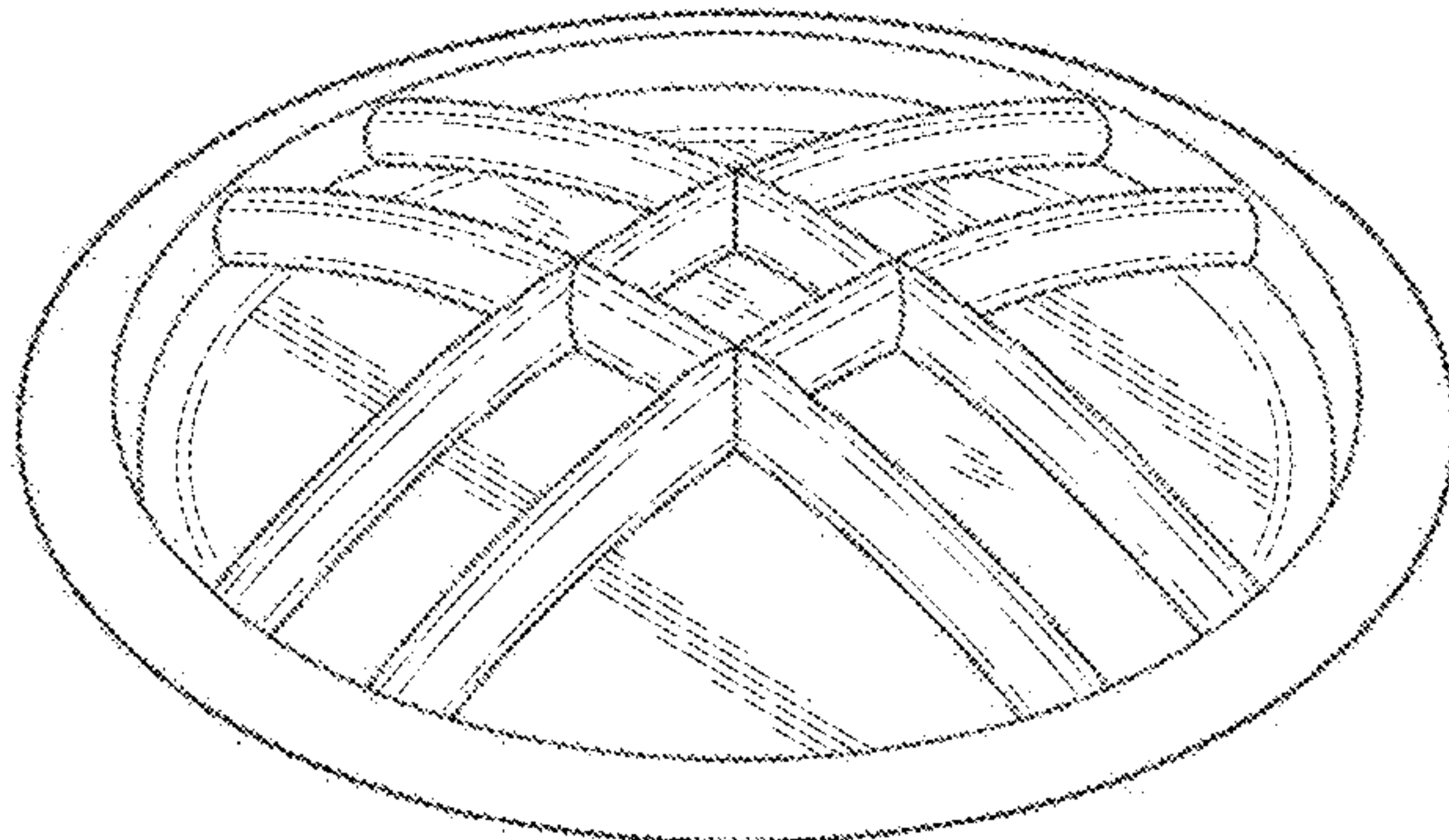
**DESCRIPTION**

- 4.1-6.4 Lid handle
- 4.1 : Perspective
- 4.2 : Front
- 4.3 : Top
- 4.4 : Cross-sectional view of 4.3
- 5.1 : Perspective
- 5.2 : Front
- 5.3 : Top
- 5.4 : Cross-sectional view of 5.3
- 6.1 : Perspective
- 6.2 : Front
- 6.3 : Top
- 6.4 : Cross-sectional view of 6.3

The arrows in the drawings do not form part of the design, they merely indicate the cross-sectional plane; the broken lines in the drawings depict portions of the lid handle that form no part of the claimed design.

The arrows in the drawings do not form part of the design, they merely indicate the cross-sectional plane; protection is not sought for the parts of the design represented with dashed lines.

**1 Claim, 12 Drawing Sheets**



(56)

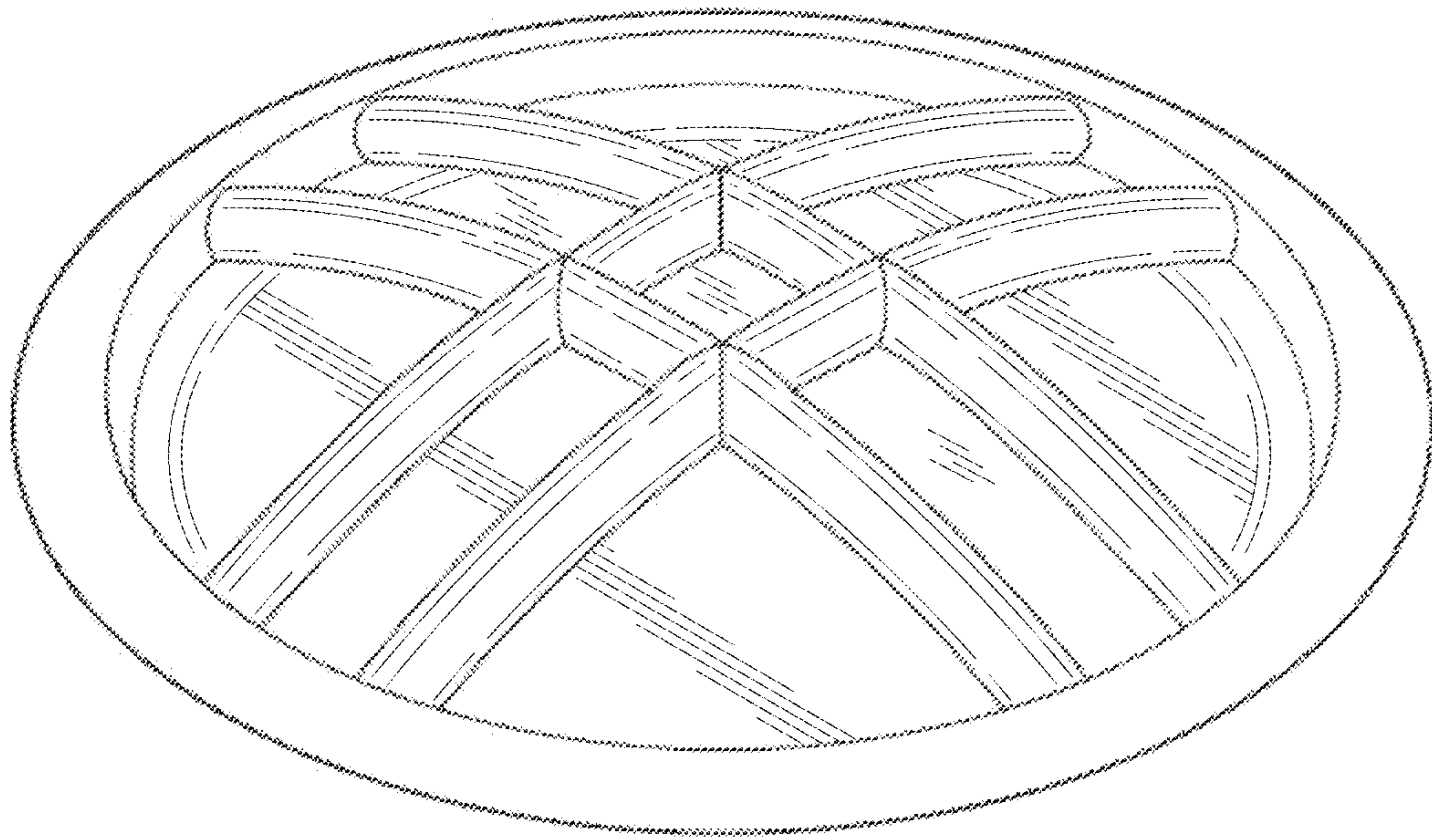
**References Cited**

U.S. PATENT DOCUMENTS

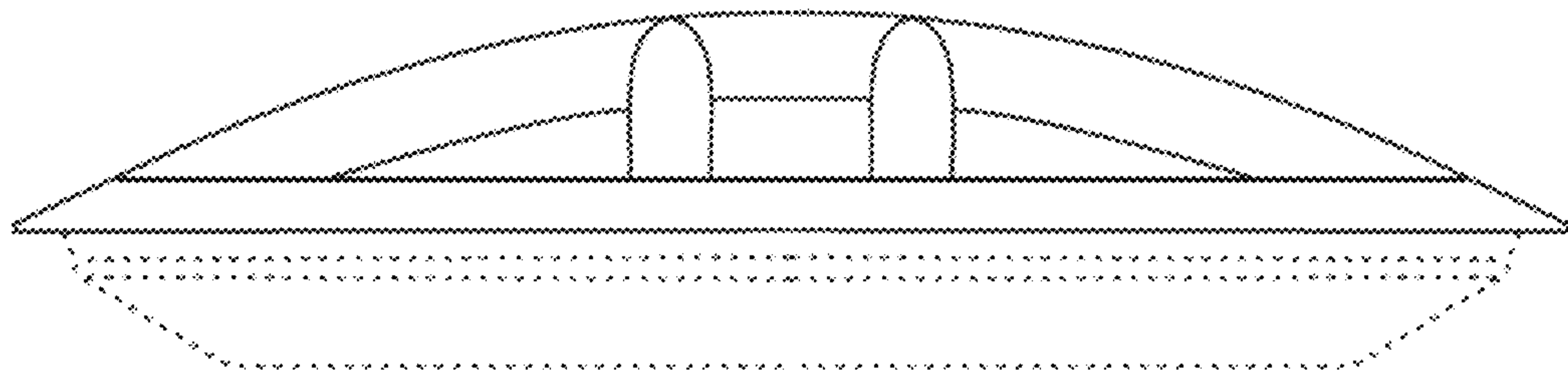
D680,405 S \* 4/2013 Ramsland ..... D8/305  
D715,097 S \* 10/2014 Thonis ..... D7/408  
D717,170 S \* 11/2014 Tan ..... D9/600  
D733,498 S \* 7/2015 Matharu ..... D7/300.1  
D751,393 S \* 3/2016 Lynd ..... D9/439  
D776,500 S \* 1/2017 Verbrugge ..... D7/693  
D863,959 S \* 10/2019 Larminaux ..... D9/439  
D893,943 S \* 8/2020 Engler ..... D7/396.4

\* cited by examiner

4.1

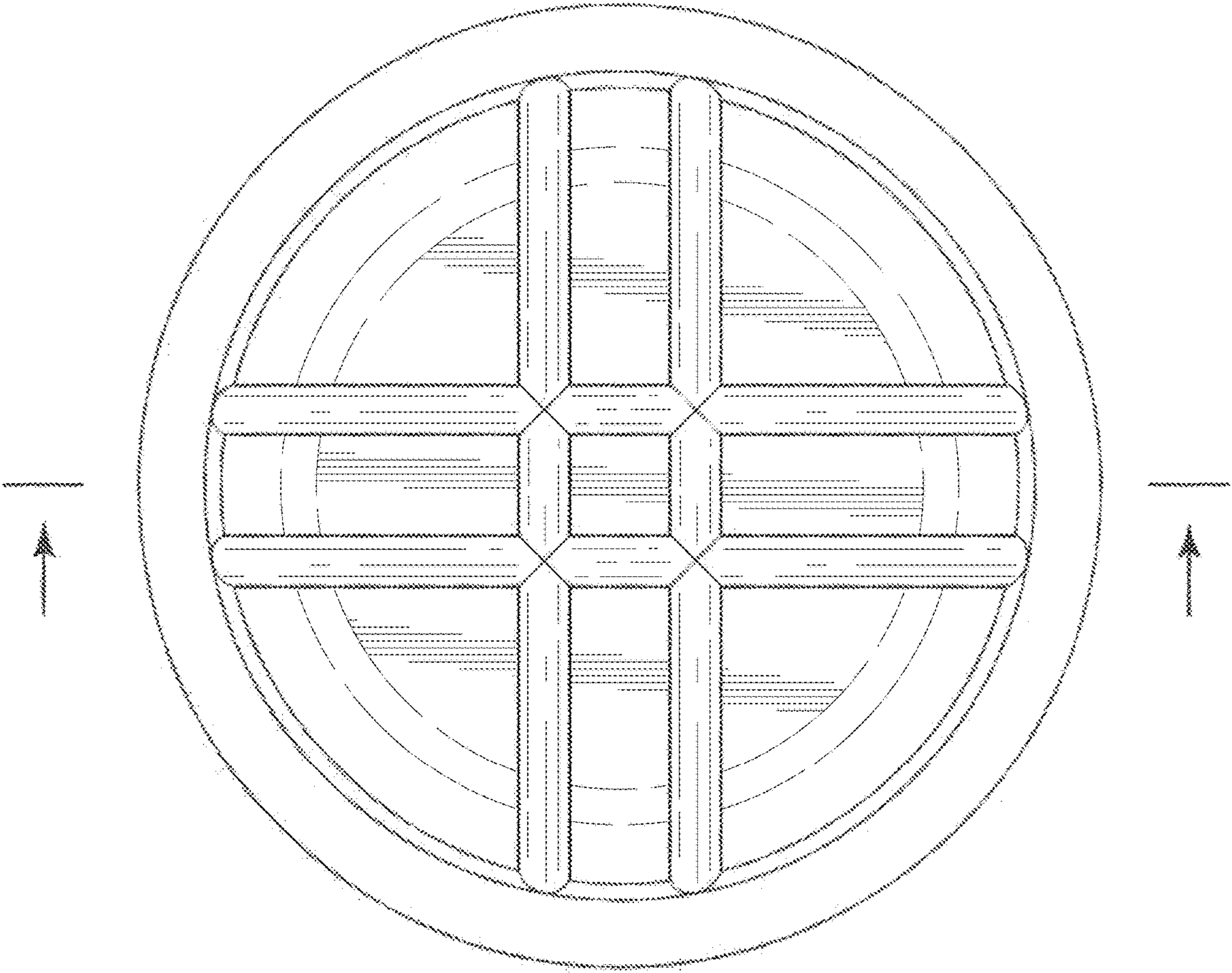


4.2

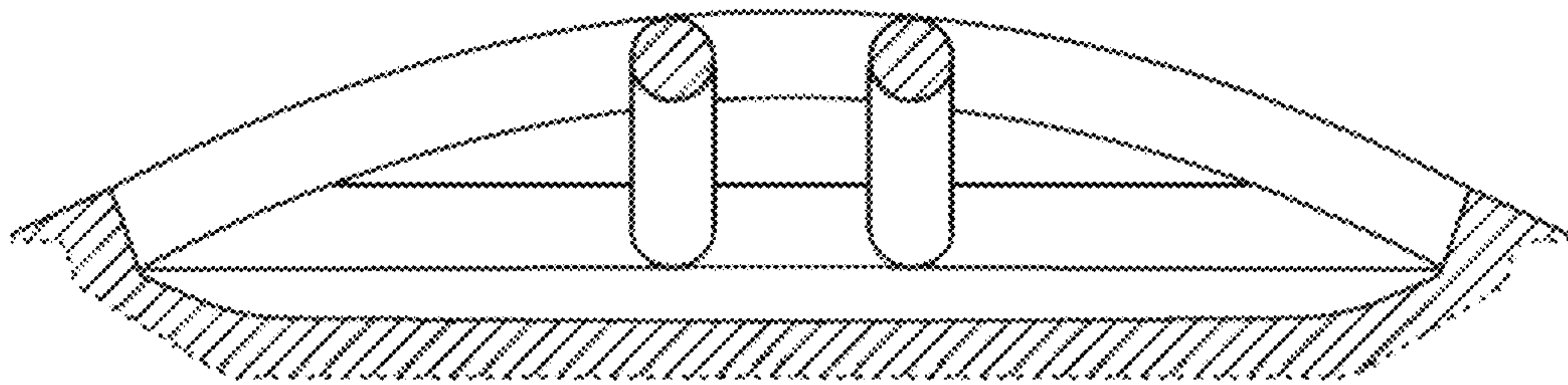




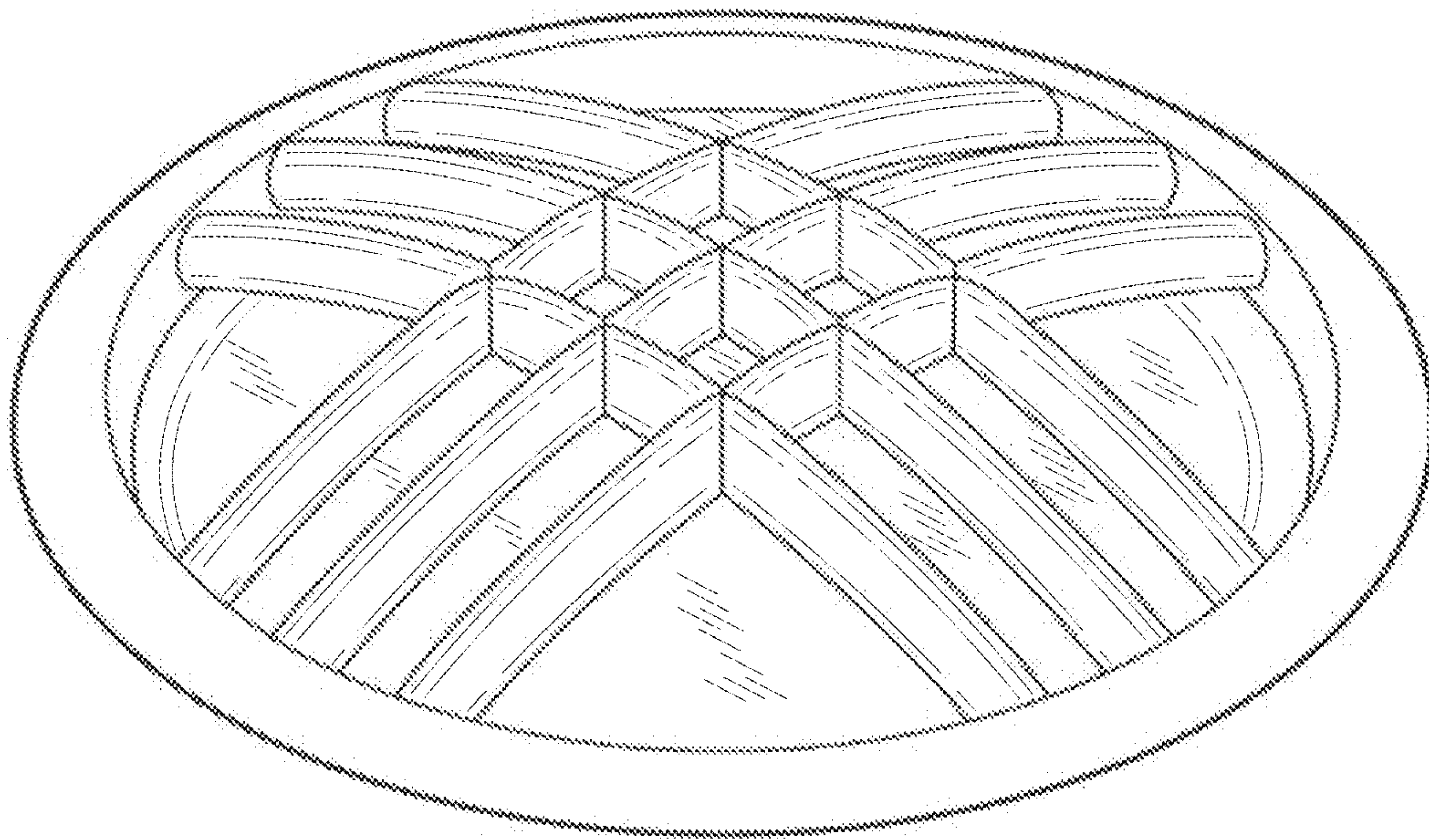
4.3



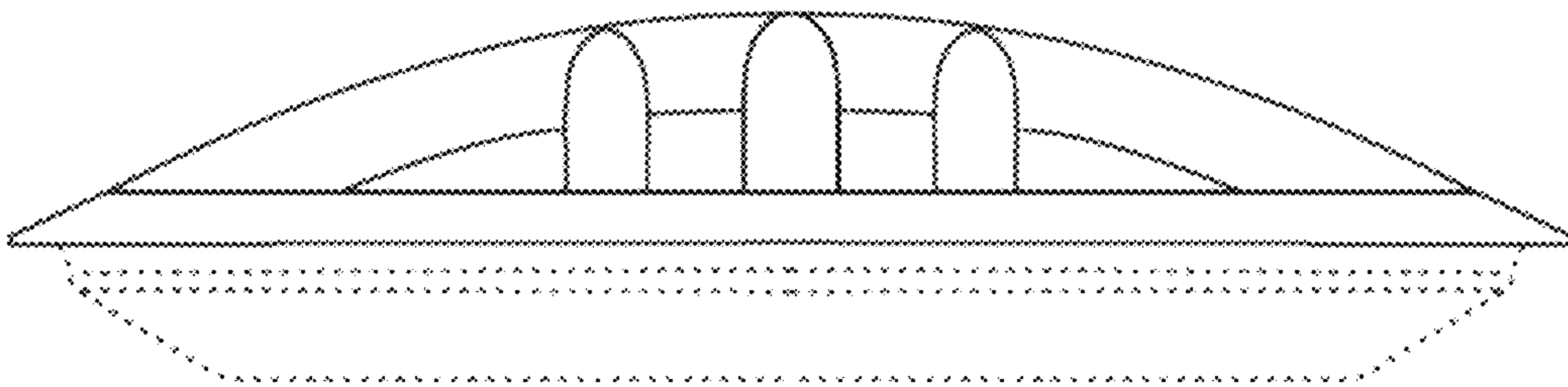
4.4



5.1

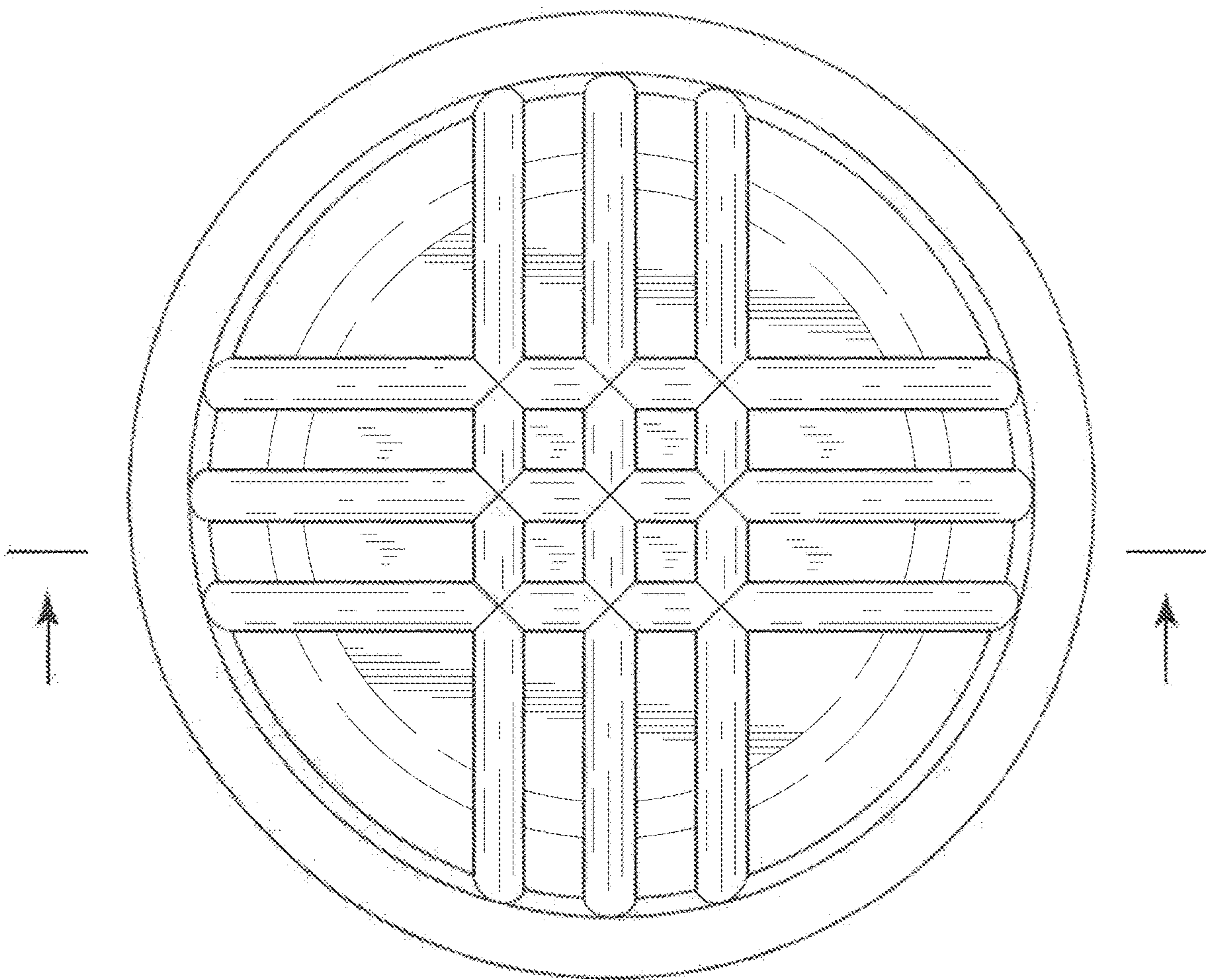


5.2

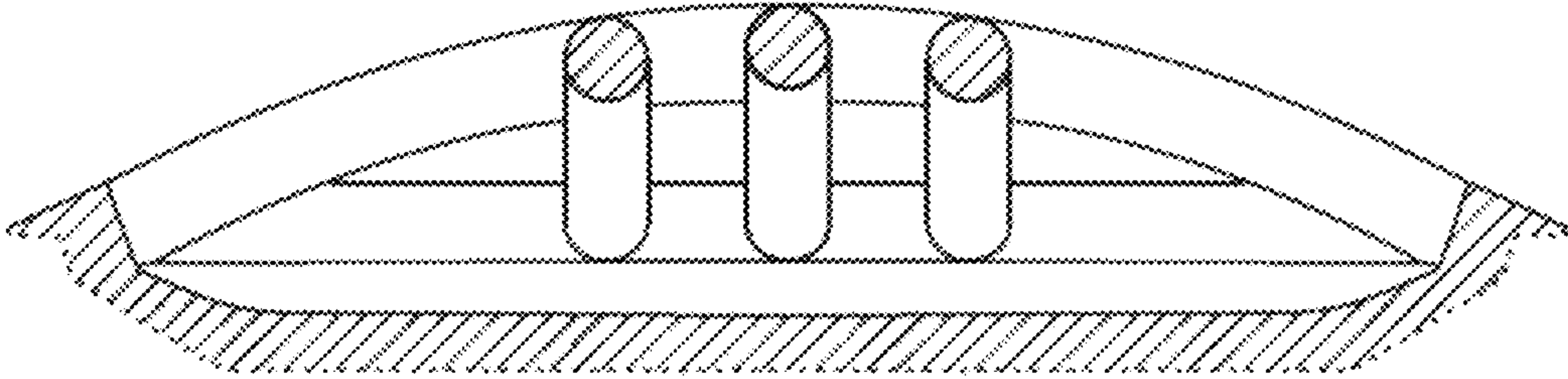




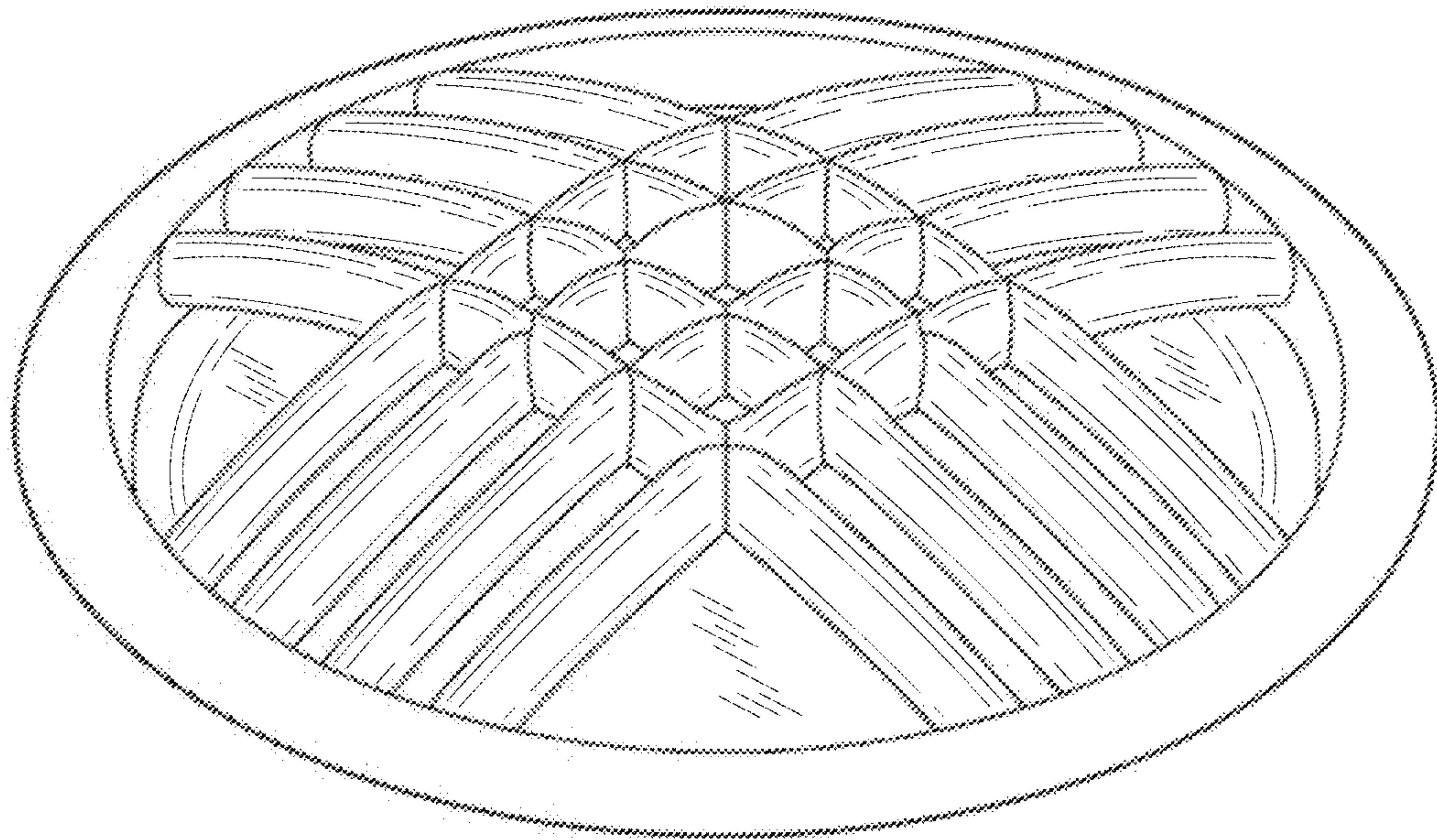
5.3



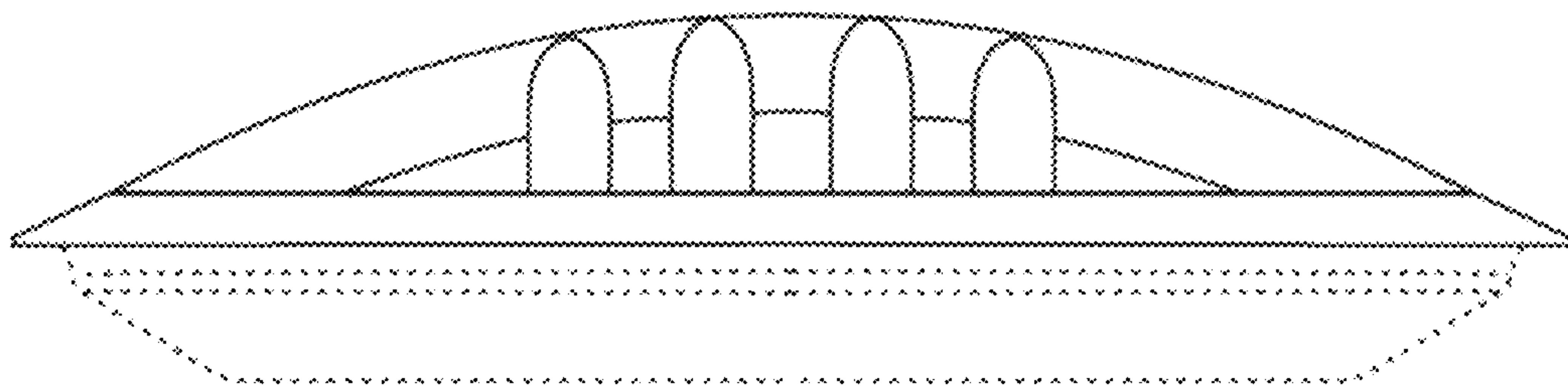
5.4



6.1

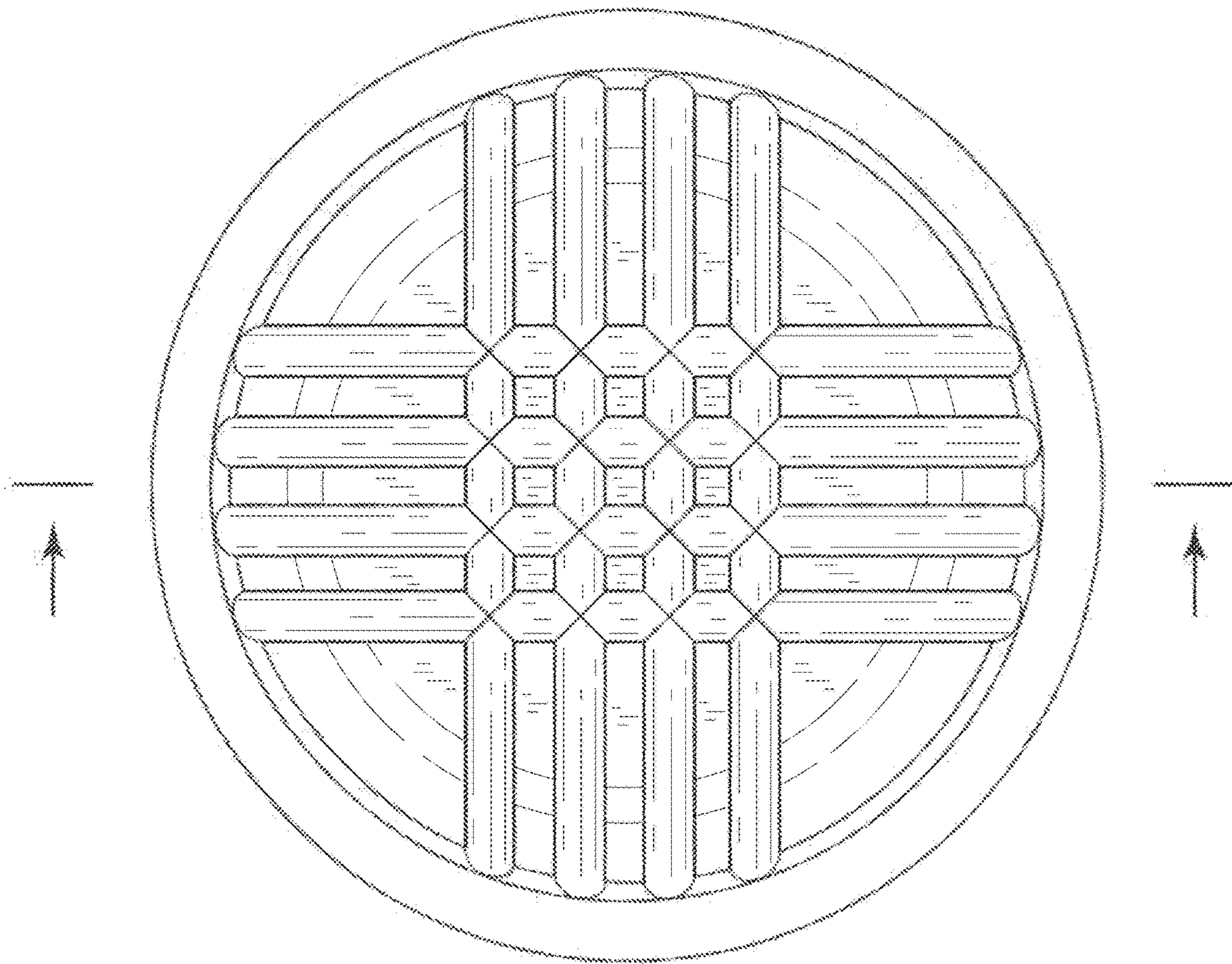


6.2





6.3



6.4

