

US00D969541S

(12) **United States Design Patent** (10) **Patent No.:** **US D969,541 S**
Zemel et al. (45) **Date of Patent:** **** Nov. 15, 2022**

(54) **UTENSIL HANDLE**

FOREIGN PATENT DOCUMENTS

(71) Applicant: **Mr. Bar-B-Q Products LLC**, Melville, NY (US)

CN 202230276291.2 * 6/2022

(72) Inventors: **Marc Zemel**, Melville, NY (US);
Joanne Rudis, Melville, NY (US)

OTHER PUBLICATIONS

(73) Assignee: **Mr. Bar-B-Q Products LLC**, Hauppauge, NY (US)

Chef Knife Paudin N1 8 inch Kitchen Knife, German High Carbon Stainless Steel Sharp Knife, Professional Meat Knife with Ergonomic Handle and Gift Box for Family & Restaurant. Online, published date Apr. 11, 2018. Retrieved on Jul. 7, 2022 from URL: https://www.amazon.com/Chef-Knife-Stainless-Ergonomic-Restaurant/dp/B07.*

(**) Term: **15 Years**

(Continued)

(21) Appl. No.: **29/771,260**

(22) Filed: **Feb. 22, 2021**

Primary Examiner — Shannon W Morgan

Assistant Examiner — Royner Mendoza

(51) **LOC (13) Cl.** **07-03**

(52) **U.S. Cl.**

(74) *Attorney, Agent, or Firm* — Carter, DeLuca & Farrell LLP

USPC **D7/393**; D7/686

(58) **Field of Classification Search**

USPC D7/393–395, 401.2, 642–652, 693, D7/695–696, 683, 686; D8/93, 97–100, D8/107, 300, 321; D24/133, 146, 147
CPC A01B 1/02; A01B 1/22; A01B 1/20; B23D 51/01; B23D 49/10; B27B 21/04; A01D 7/00; B26B 23/00; B25G 3/30; B25G 1/04; B25G 3/36; B25F 1/02; A22C 25/006; A47G 21/06; A47G 21/065; B21D 53/64

(57) **CLAIM**

The ornamental design for a utensil handle, as shown and described.

See application file for complete search history.

DESCRIPTION

FIG. 1 is a front perspective view of a utensil handle in a closed configuration in accordance with the present design; FIG. 2 is a top plan view thereof; FIG. 3 is a bottom plan view thereof; FIG. 4 is a left side elevational view thereof; FIG. 5 is a right side elevational view thereof; FIG. 6 is a front elevational view thereof; FIG. 7 is a rear elevational view thereof; and, FIG. 8 is a front perspective view of the utensil handle in accordance with the present design in an open configuration. The dot-dash broken lines depict portions of the utensil handle that form no part of the claimed design. The dash lines in the drawings depict environmental subject matter and form no part of the claimed design.

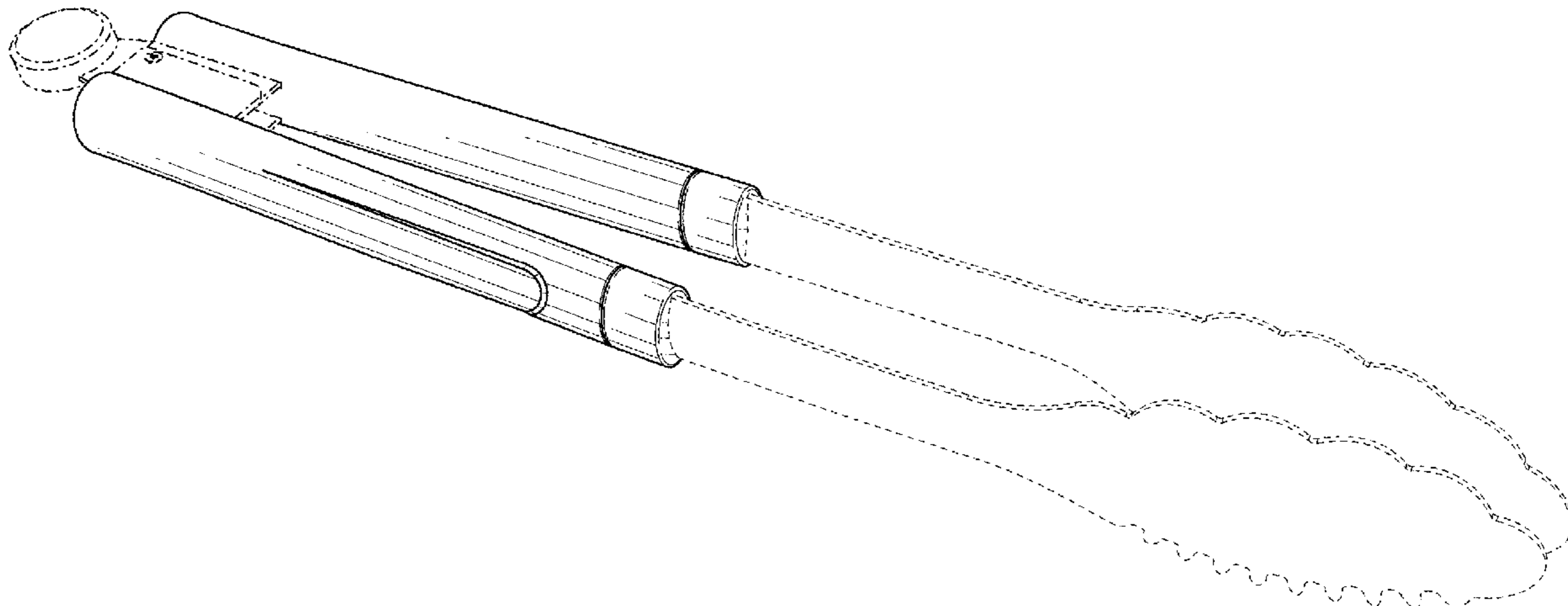
(56) **References Cited**

U.S. PATENT DOCUMENTS

D254,767 S 4/1980 Christen, Jr.
D269,244 S * 6/1983 Becher D7/650
5,485,677 A * 1/1996 Seber B26B 3/06
30/294
D392,849 S 3/1998 Zeller
D414,653 S 10/1999 Kaposi et al.
D444,041 S 6/2001 Thuma
D445,313 S * 7/2001 Jorge D7/649
D447,430 S 9/2001 Kehoe
D448,265 S * 9/2001 Chen D8/80

(Continued)

1 Claim, 5 Drawing Sheets



(56)

References Cited

U.S. PATENT DOCUMENTS

D448,609 S 10/2001 Hay et al.
 D457,789 S 5/2002 Rowe et al.
 D461,379 S 8/2002 Wang
 D473,430 S * 4/2003 Fedor D7/649
 D475,585 S 6/2003 Chen
 6,584,692 B1 7/2003 Stills et al.
 D481,915 S 11/2003 Mezger-Boehringer
 D494,006 S 8/2004 Zemel
 D502,367 S 3/2005 Claypool et al.
 D511,082 S * 11/2005 Chen D8/80
 7,086,676 B2 8/2006 Sumter et al.
 D528,857 S 9/2006 Zemel
 D531,463 S 11/2006 Jarvis et al.
 D535,145 S 1/2007 Zemel
 D535,853 S 1/2007 Zemel
 D539,083 S * 3/2007 Molayem D7/393
 D545,122 S 6/2007 Zemel
 D546,620 S 7/2007 Zemel
 D564,290 S 3/2008 Zemel
 D564,291 S 3/2008 Zemel
 D569,174 S 5/2008 Zemel
 D572,079 S 7/2008 Zemel
 D572,080 S 7/2008 Zemel
 D588,867 S 3/2009 Zemel
 D601,849 S 10/2009 Zemel
 D628,029 S 11/2010 Rothman

D649,411 S * 11/2011 Lo D7/649
 D657,619 S 4/2012 Zemel
 D658,432 S 5/2012 Zemel
 D658,434 S 5/2012 Zemel
 D658,936 S 5/2012 Zemel
 D660,096 S * 5/2012 Chen D7/649
 D660,098 S * 5/2012 Chen D7/649
 D664,816 S 8/2012 Difante
 D667,707 S 9/2012 Zemel
 D717,106 S 11/2014 Zemel et al.
 D752,919 S * 4/2016 Chen D7/649
 D773,240 S 12/2016 Zemel et al.
 D825,261 S * 8/2018 Bae D7/649
 D825,262 S * 8/2018 Bae D7/649
 D836,390 S 12/2018 Zemel
 D881,644 S * 4/2020 Liu D7/649
 10,682,776 B1 * 6/2020 Schmerler B25G 3/36
 D937,048 S * 11/2021 Chen D7/649
 D947,604 S * 4/2022 Feng D7/649
 2003/0226263 A1 * 12/2003 Fedor B26B 3/00
 30/142

OTHER PUBLICATIONS

Design U.S. Appl. No. 29/770,753, filed Feb. 16, 2021, entitled
 "Utensil Handle" first named inventor: Marc Zemel.

* cited by examiner

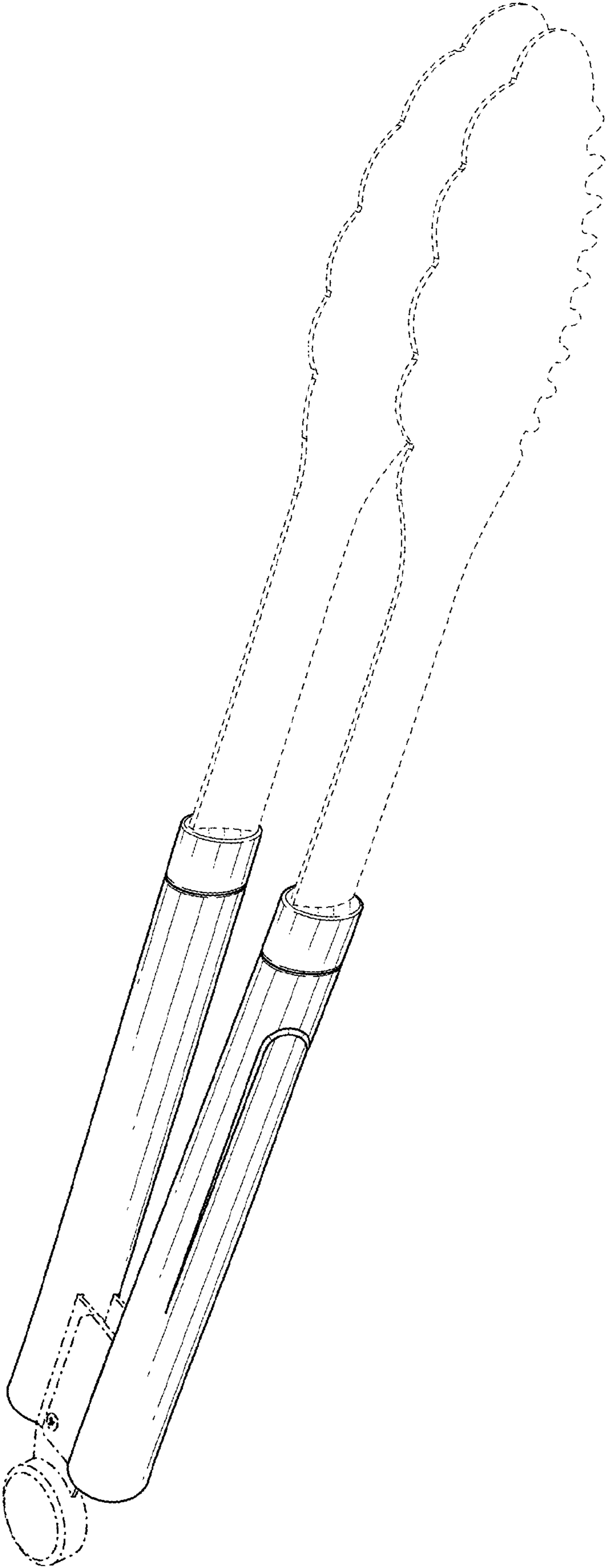


FIG. 1

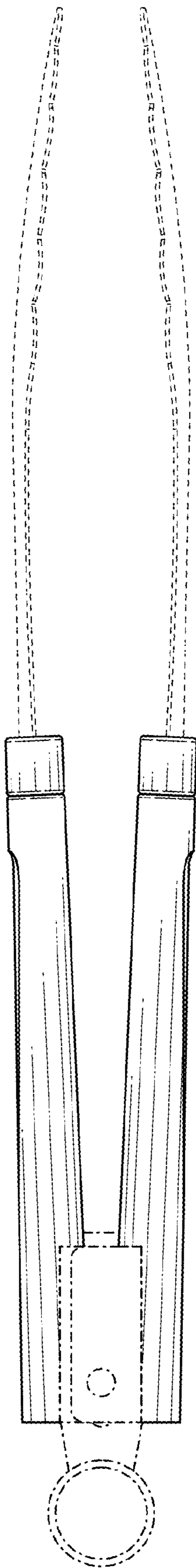


FIG. 2

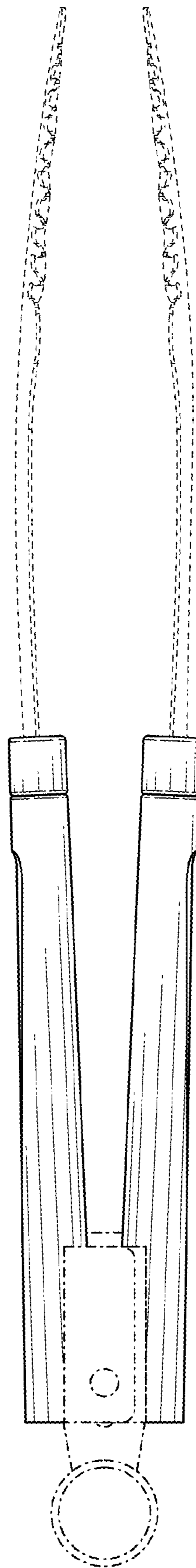


FIG. 3

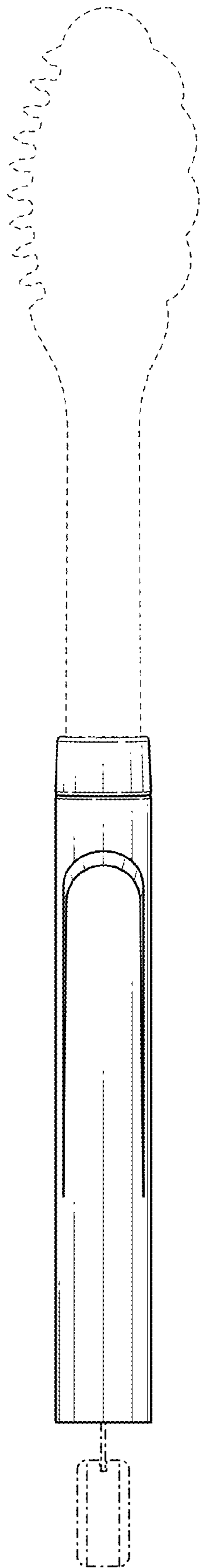


FIG. 4

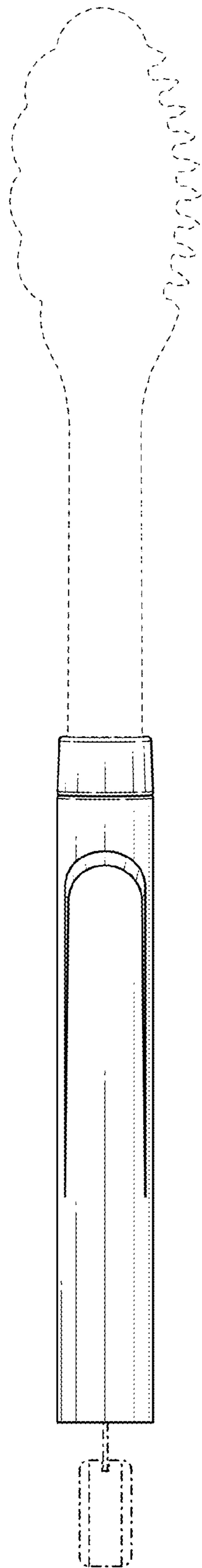


FIG. 5

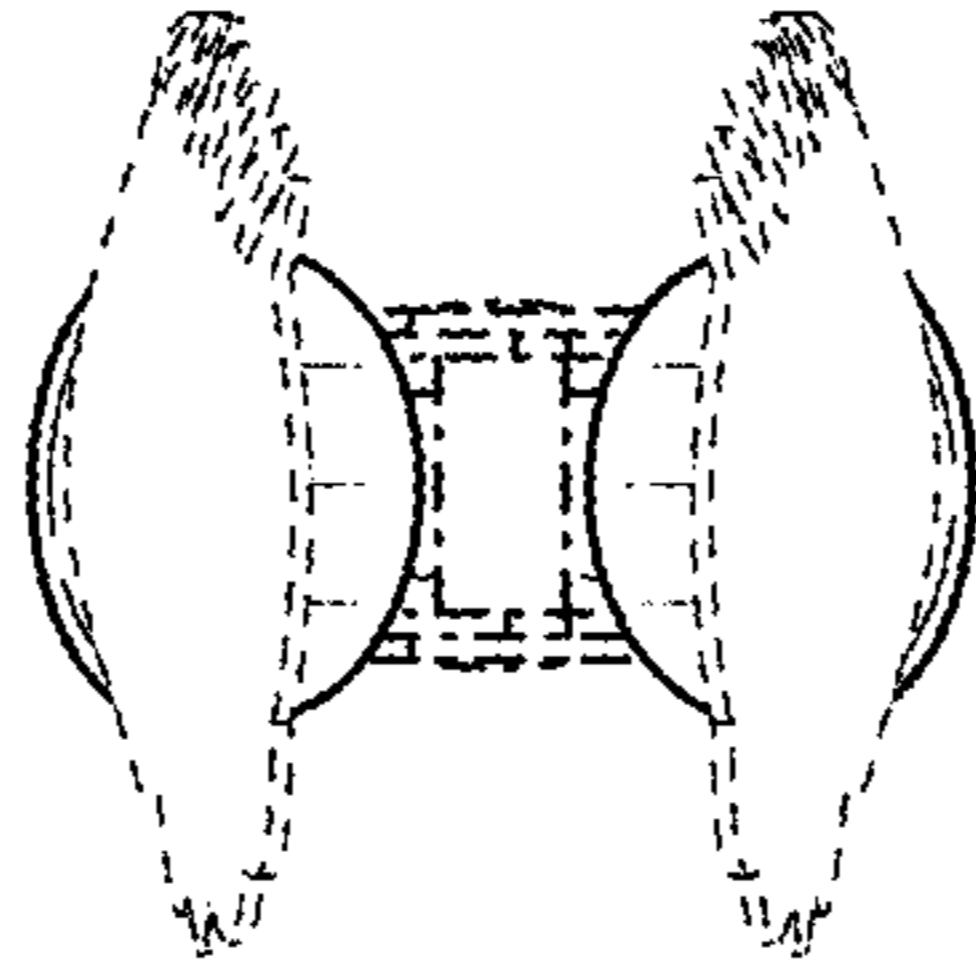


FIG. 6

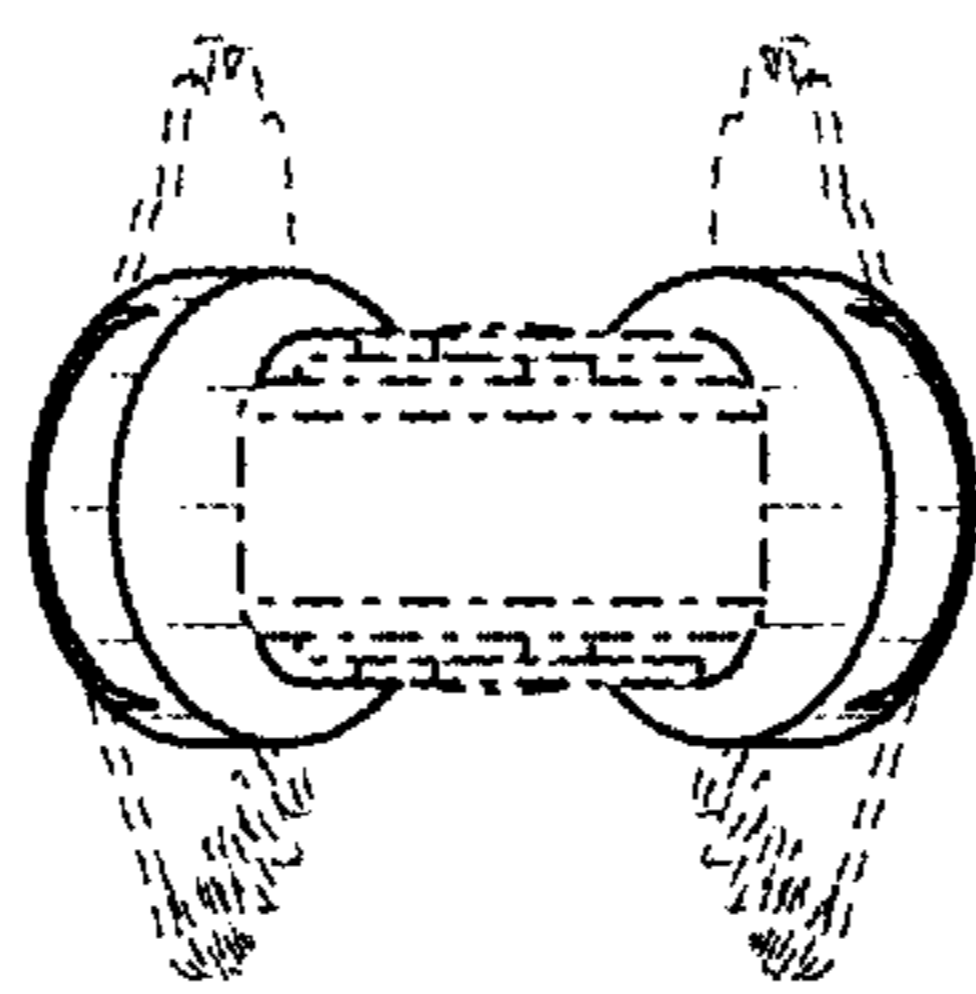


FIG. 7

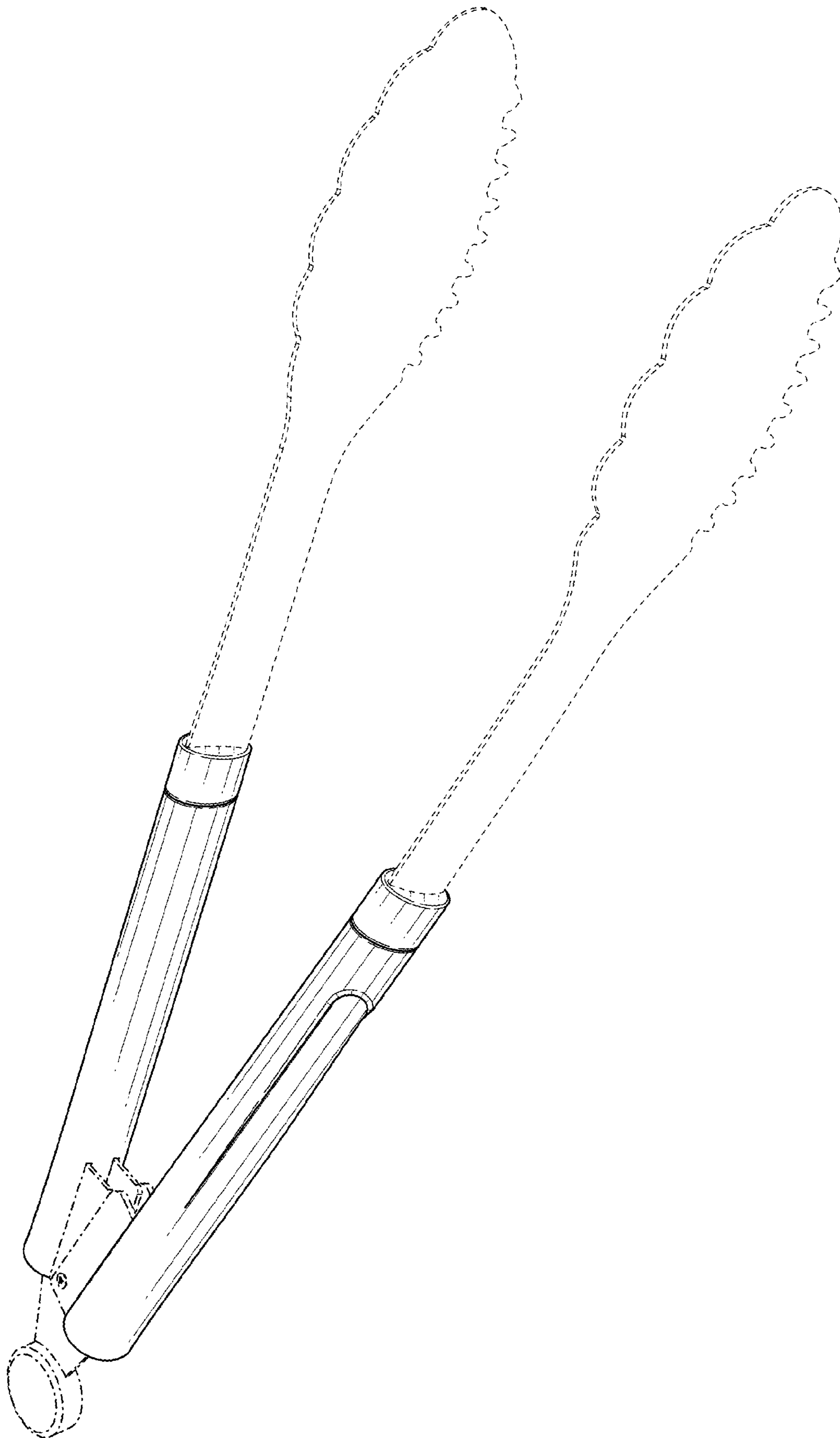


FIG. 8