

US00D969540S

(12) **United States Design Patent** (10) **Patent No.:** **US D969,540 S**
Kauffman et al. (45) **Date of Patent:** **** Nov. 15, 2022**

(54) **WATER BOTTLE**
(71) Applicant: **FC Brands LLC**, New York, NY (US)
(72) Inventors: **Heather Tomasetti Kauffman**,
Larchmont, NY (US); **Markus Peter Diebel**,
San Francisco, CA (US); **Joe Sung-Ho Tan**,
San Francisco, CA (US); **Michael Robert Del Ponte**,
San Francisco, CA (US); **Tal Chitayat**,
New York, NY (US); **David Dennys Chitayat**,
Shanghai (CN)

D289,260 S 4/1987 Weckman
D422,916 S 4/2000 Herrmann
D620,357 S 7/2010 Jewett
D723,333 S 3/2015 Lin
D753,442 S 4/2016 Weernink
D788,529 S 6/2017 Chitayat et al.
D790,279 S 6/2017 Izen
D812,428 S 3/2018 Wu
D832,650 S 11/2018 Diebel et al.

(Continued)

(73) Assignee: **FC Brands LLC**, New York, NY (US)

(**) Term: **15 Years**

(21) Appl. No.: **29/771,037**

(22) Filed: **Feb. 19, 2021**

Related U.S. Application Data

(63) Continuation of application No. 29/682,028, filed on
Mar. 1, 2019, now Pat. No. Des. 911,111.

(51) **LOC (13) Cl.** **07-01**

(52) **U.S. Cl.**
USPC **D7/392.1; D7/396.2**

(58) **Field of Classification Search**
USPC D7/507, 509, 510, 511, 513, 529, 531,
D7/532, 523, 533, 534, 535, 536, 392.1,
D7/296.1, 396.2, 300.1, 608, 300, 320,
D7/624.1, 624.2; D3/202; D9/501, 503,
D9/504, 530, 529, 522, 554, 567, 571,
D9/569, 449, 516

CPC A47G 19/22; A47G 19/2288; A47G
19/2205; A47G 19/2211; A47J 41/0077;
A45F 3/16

See application file for complete search history.

(56) **References Cited**

U.S. PATENT DOCUMENTS

D243,583 S 3/1977 Reynolds
D282,910 S 3/1986 Biesecker

OTHER PUBLICATIONS

https://www.amazon.com/BLACK-BLUM-BAM-WBB-S010-Steel-Bottle/dp/B094DBV5GX/ref=asc_df_B094DBV5GX/?tag=hyprod-20&linkCode=df0&hvadid=563634836809&hvpos=&hvnetw=g&hvrnd=14331198761139302892&hvpone=&hvtwo=&hvqmt=&hvdev=c&hvdvcmld=&hvlocint=&hvlocphy=9059726&hvtargid=pla-1309183157656&pvc=1 (May 13, 2021) (Year: 2021).*

(Continued)

Primary Examiner — Jae Liang

(74) *Attorney, Agent, or Firm* — Pierce Atwood LLP

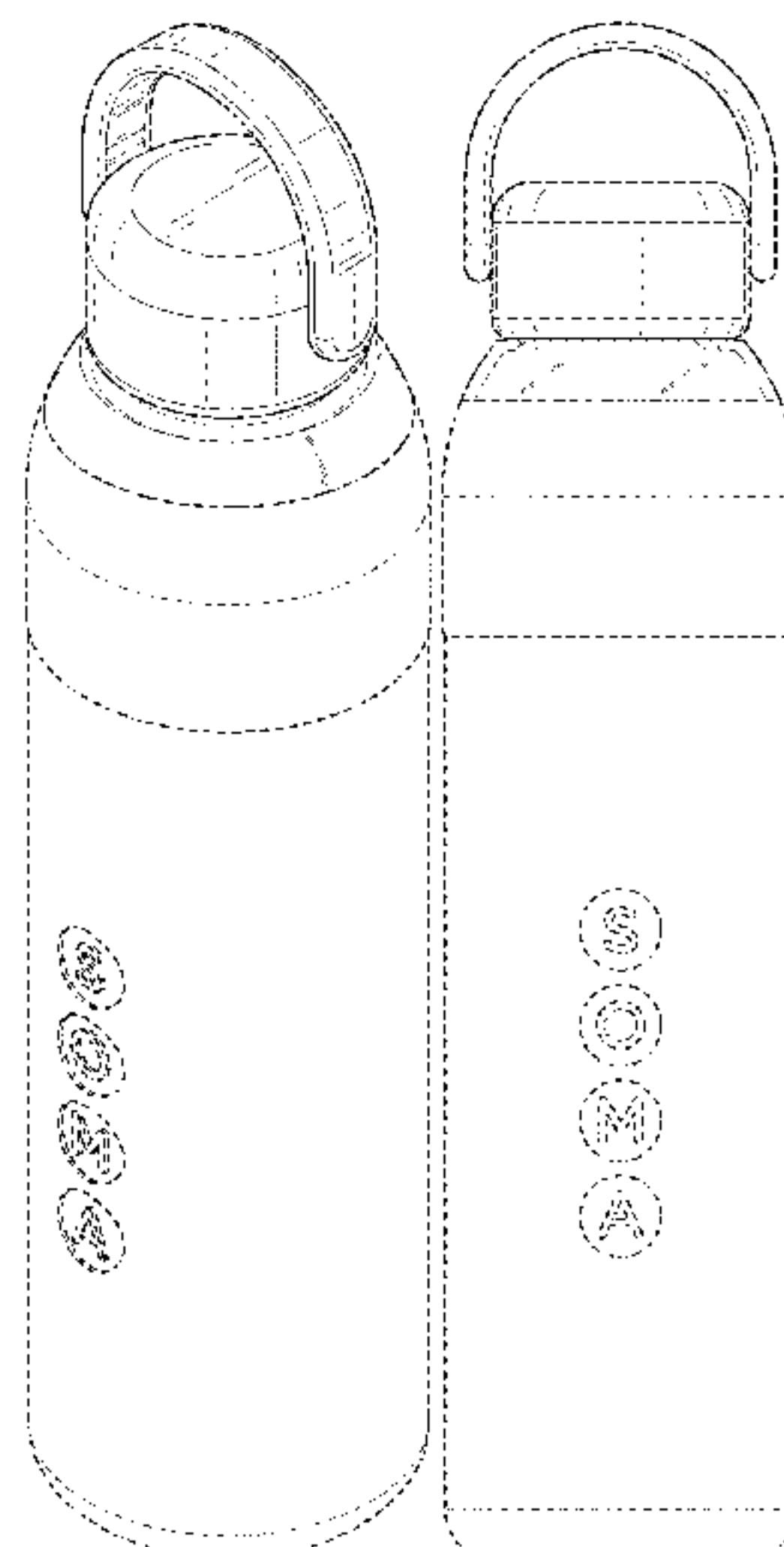
(57) **CLAIM**

The ornamental design for a water bottle, as shown and described.

DESCRIPTION

FIG. 1 is a perspective view of a water bottle showing our new design;
FIG. 2 is a right side elevation view thereof;
FIG. 3 is a left side elevation view thereof;
FIG. 4 is a rear elevation view thereof;
FIG. 5 is a front elevation view thereof;
FIG. 6 is the top plan view thereof; and,
FIG. 7 is the bottom plan view thereof.
The broken lines in the drawings depict portions of the water bottle that form no part of the claimed design.
The dash-dotted lines in the drawings represent the bounds of the claim and form no part of the claimed design.

1 Claim, 6 Drawing Sheets



(56)

References Cited

U.S. PATENT DOCUMENTS

D838,141 S 1/2019 Bertsch
 D839,050 S 1/2019 Sibbert
 D851,996 S 6/2019 Umholtz
 D857,456 S * 8/2019 Bell D7/532
 D861,430 S 10/2019 Yueh
 D878,864 S 3/2020 Lawson-Shanks et al.
 D885,836 S 6/2020 Wang
 D893,263 S 8/2020 Benishai
 D893,952 S * 8/2020 Jenkins D7/510
 D908,433 S * 1/2021 Sapire D9/556
 D911,111 S * 2/2021 Kauffman D7/532
 D930,436 S * 9/2021 Paparao D7/510
 D944,056 S * 2/2022 Paparao D7/509
 D945,219 S * 3/2022 Petersson D7/511
 D946,347 S * 3/2022 Zhang D7/392.1
 D946,965 S * 3/2022 Sapire D7/392.1
 D947,597 S * 4/2022 Shi D7/392.1
 D948,286 S * 4/2022 Lin D7/533
 D951,023 S * 5/2022 Bodum D7/510
 D951,701 S * 5/2022 Zhang D7/392.1
 D951,712 S * 5/2022 Bodum D7/510
 2017/0224140 A1 8/2017 Vertegaal et al.

OTHER PUBLICATIONS

www.amazon.com/Glass-Water-Bottle-Measurements-Eco-Friendly/dp/B083W43MZV/ref=asc_df_B083W43MZV/?tag=hyprod-20

&linkCode=df0&hvadid=459477630715&hvpos=&hvnetw=g
 &hvrnd=14865243319002839841&hvpone=&hvptwo=&hvqmt=
 &hvdev=c&hvdvcmdl=&hvlocint=&hvlocphy=9059726&hvtargid=
 pla-942494933430&th=1 (Oct. 12, 2019) (Year: 2019).
 Corresponding Design U.S. Appl. No. 29/682,026, filed Mar. 1,
 2019.
<https://www.orbit.com/?locale=en&ticket=d2ab9f3f-6bc9-4951-89d9-dbaa431500da&embedded=false#Design Full Page> (Year: 2018).
https://www.amazon.com/Kuratere-BPA-Free-Borosilicate-Protective-Silicone/dp/B07JLJMPRM/ref=sr_1_57?crd=1KE1DMLSHOQR2&dchild=1&keywords=water+bottle+with+silicone+sleeve&qid=1599234143&sprefix=water+bottle+with+sil%2Caps%2C152&sr=8-57 (Year: 2018).
https://www.amazon.com/Soma-BPA-Free-Water-Bottle-Silicone/dp/B07RL457LW/ref=sr_1_46?crd=1KE1DMLSHOQR2&dchild=1&keywords=water+bottle+with+silicone+sleeve&qid=1599234021&sprefix=water+bottle+with+sil%2Caps%2C152&sr=8-46 (Year: 2019).
https://www.amazon.com/WP-PWBG-SL-Portable-Protective-Silicone-Dishwasher/dp/B07MY3SF7C/ref=sr_1_70?crd=1KE1DMLSHOQR2&dchild=1&keywords=water+bottle+with+silicone+sleeve&qid=1599234132&sprefix=water+bottle+with+sil%2Caps%2C152&sr=8-70 (Year: 2019).
https://www.amazon.com/s?k=water+bottle+with+silicone+sleeve&crd=1KE1DMLSHOQR2&sprefix=water+bottle+with+sil%2Caps%2C152&ref=nb_sb_ss_ts-apa-p_4_21 (Year: 2020).

* cited by examiner

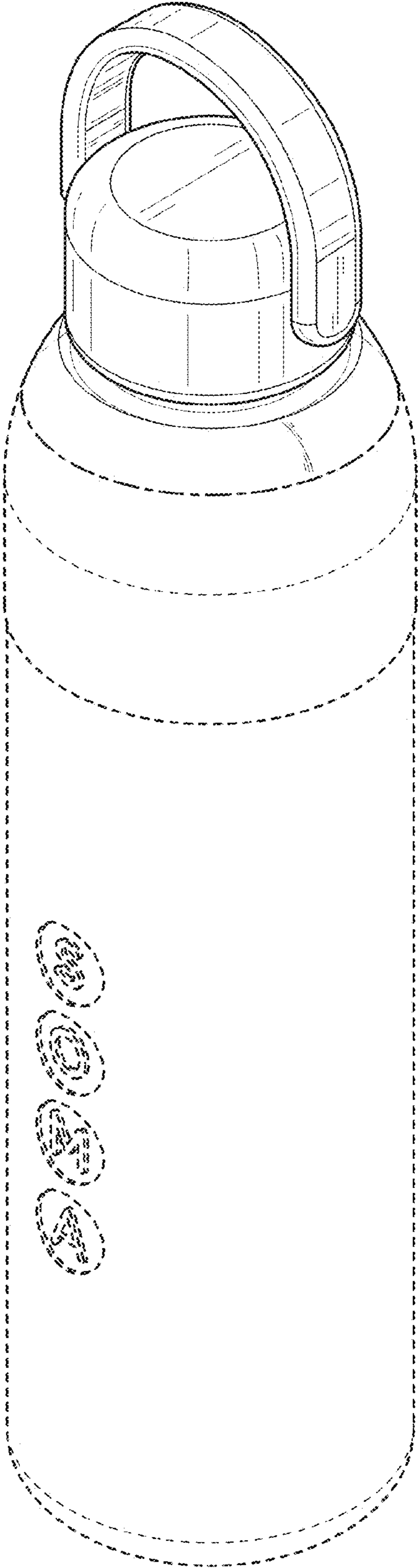


FIG. 1

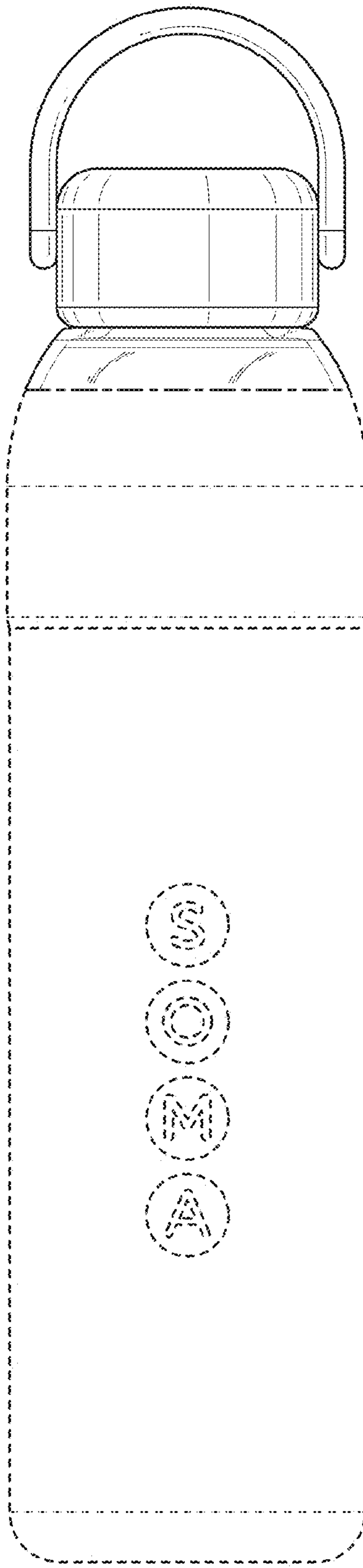


FIG. 2

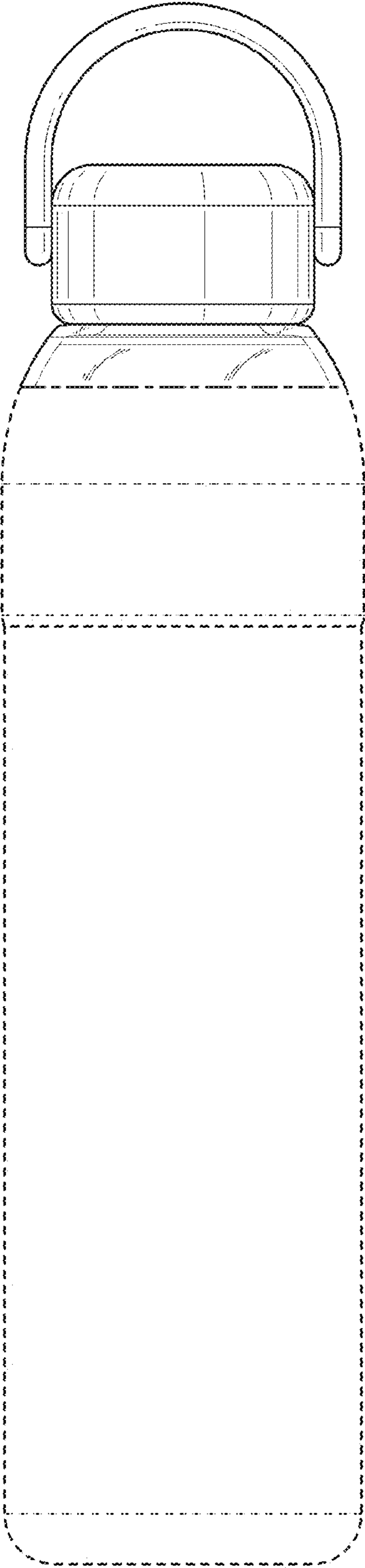


FIG. 3

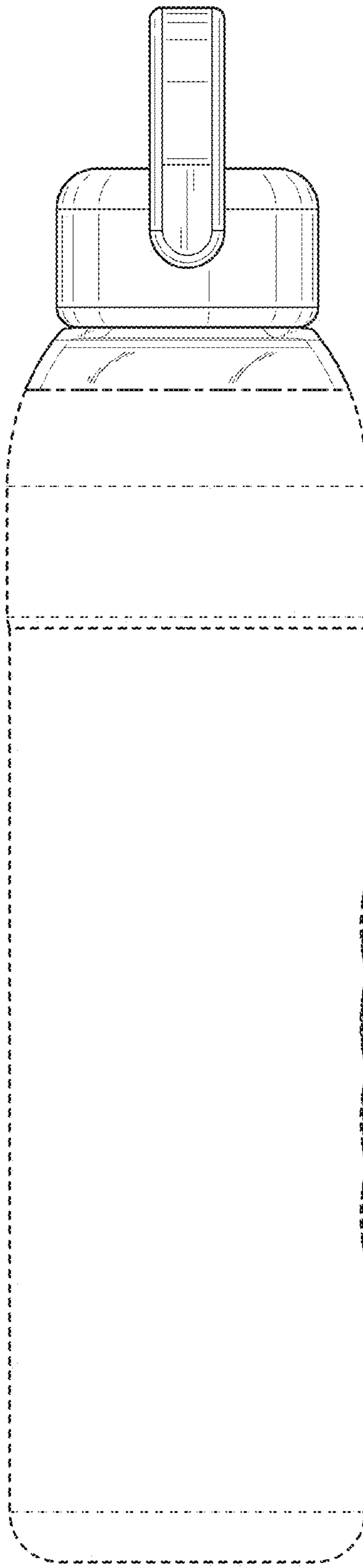


FIG. 4

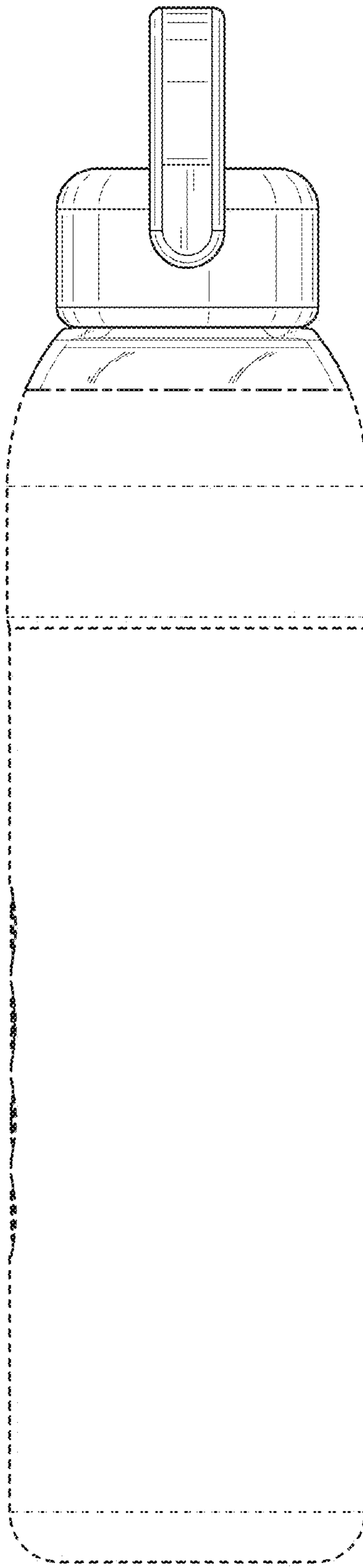


FIG. 5

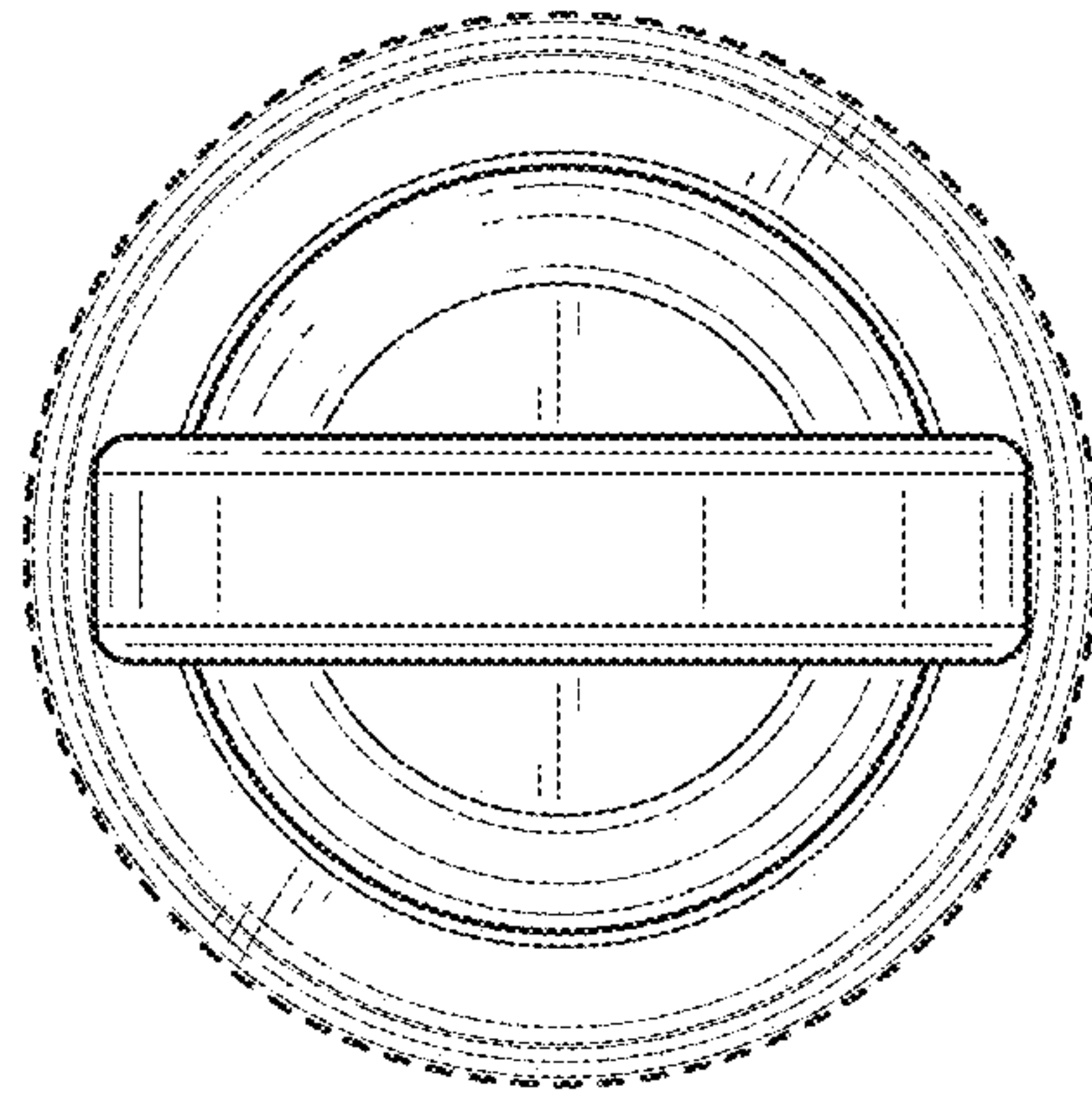


FIG. 6

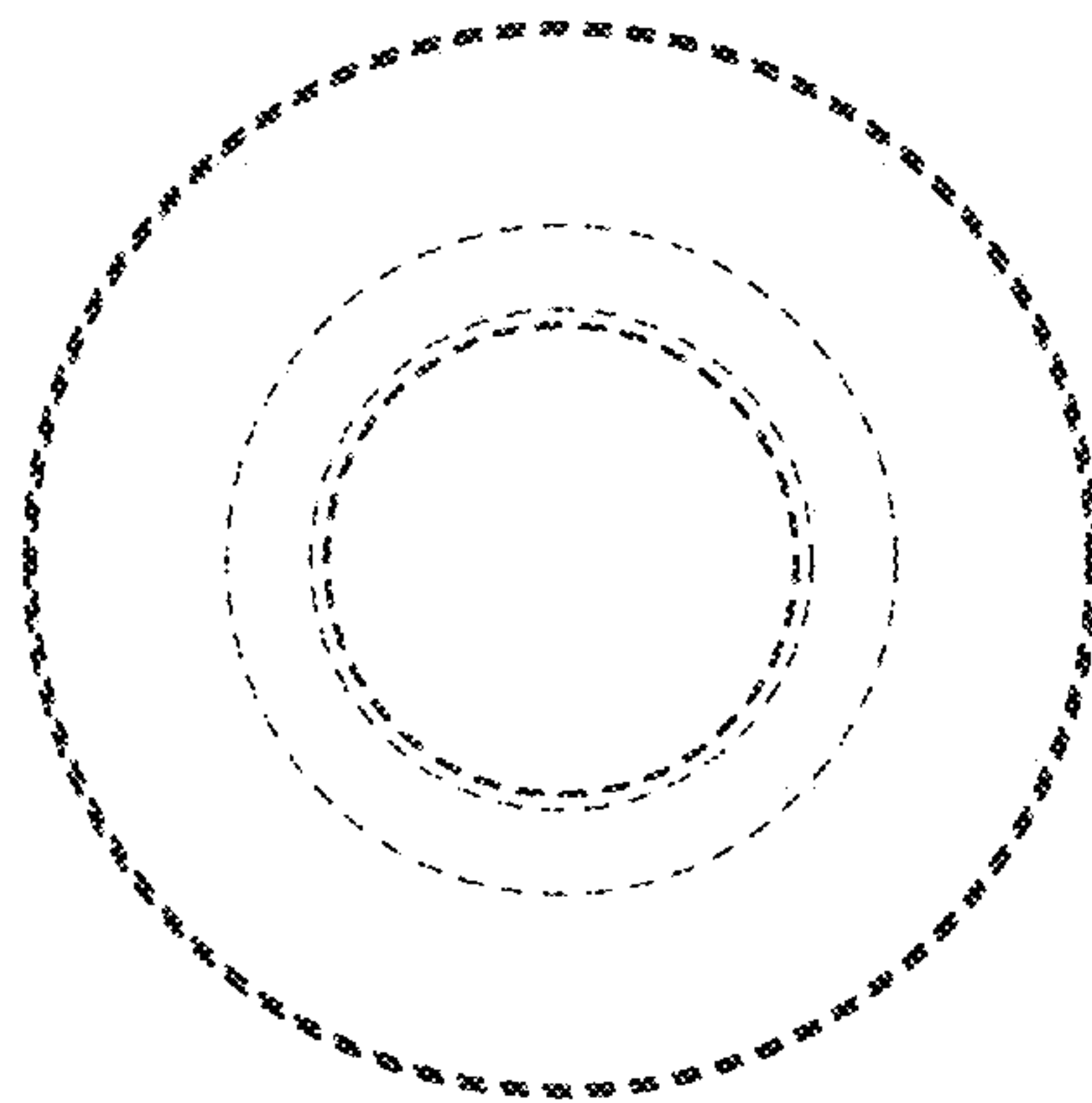


FIG. 7