



US00D969539S

(12) **United States Design Patent**
Wang

(10) **Patent No.:** **US D969,539 S**

(45) **Date of Patent:** **** Nov. 15, 2022**

(54) **LID OF TUMBLER**

FOREIGN PATENT DOCUMENTS

(71) Applicant: **SHENZHEN CAMPER ENTERPRISE CO., LTD.**, Shenzhen (CN)

CA	140273	* 12/2011
CA	155902	* 2/2016
CN	305917785	* 7/2020
CN	307116218	* 2/2022
CN	307128546	* 2/2022
CN	307199624	* 3/2022

(72) Inventor: **Longhong Wang**, Shenzhen (CN)

(**) Term: **15 Years**

OTHER PUBLICATIONS

(21) Appl. No.: **29/760,660**

Hydra Cup [online] URL: https://www.amazon.com/Hydra-Cup-Hydracup-Pink/dp/B07GGVSGZP/ref=asc_df_B07GGVSGZP (site visited: May 16, 2022) (Year: 2018).*

(22) Filed: **Dec. 3, 2020**

Allfor [online] URL: <https://www.amazon.com/Insulated-Stainless-Reusable-Thermal-Leakproof/dp/B09CPY6RMZ> (site visited: May 16, 2022) (Year: 2021).*

(51) **LOC (13) Cl.** **07-01**

(52) **U.S. Cl.**

USPC **D7/392.1**; D9/449

(58) **Field of Classification Search**

USPC D7/507, 509, 510, 511, 533, 536, 392.1, D7/396.1, 396.2, 608, 900; D30/132, D30/121, 122, 123, 124, 125, 126, 127, D30/128, 129, 130, 131, 133; D9/443, D9/449, 561; D3/202; D29/125, 126
CPC A47G 19/2205; A47G 23/16; A47G 19/2272; A47J 41/00; A47J 41/02; A47J 41/0077; Y10S 220/903; B65D 21/02; B65D 43/00; B65D 41/00

CocoStraw [online] URL: <https://www.amazon.com/CocoStraw-Stainless-Vacuum-Tumbler-Rambler/dp/B077MX239S?th=1> (site visited: Aug. 31, 2022) (Year: 2016).*

* cited by examiner

See application file for complete search history.

Primary Examiner — Jae Liang

Assistant Examiner — Tia Ruth-Renee Polidori

(57) **CLAIM**

The ornamental design for a lid of tumbler, as shown and described.

DESCRIPTION

(56) **References Cited**

U.S. PATENT DOCUMENTS

D272,807 S *	2/1984	Ruhl	D9/449
4,754,898 A *	7/1988	Britt	B65D 47/0842
				220/255
D305,206 S *	12/1989	Hickman	D9/449
D410,388 S *	6/1999	Fisher	D9/449
D499,651 S *	12/2004	Gong	D9/741
D585,277 S *	1/2009	Beauplan	D9/449
D732,958 S *	6/2015	Peneda	D9/449
D831,486 S *	10/2018	Fries	D9/449
D923,400 S *	6/2021	Wang	D7/396.2
D954,494 S *	6/2022	Zhang	D7/392.1
2022/0225803 A1 *	7/2022	Jacob	B65D 43/02

FIG. 1 is a front and top perspective view of a lid of tumbler, showing my new design;

FIG. 2 is a rear and bottom perspective view thereof;

FIG. 3 is a front elevational view thereof;

FIG. 4 is a rear elevational view thereof;

FIG. 5 is a left side elevational view thereof;

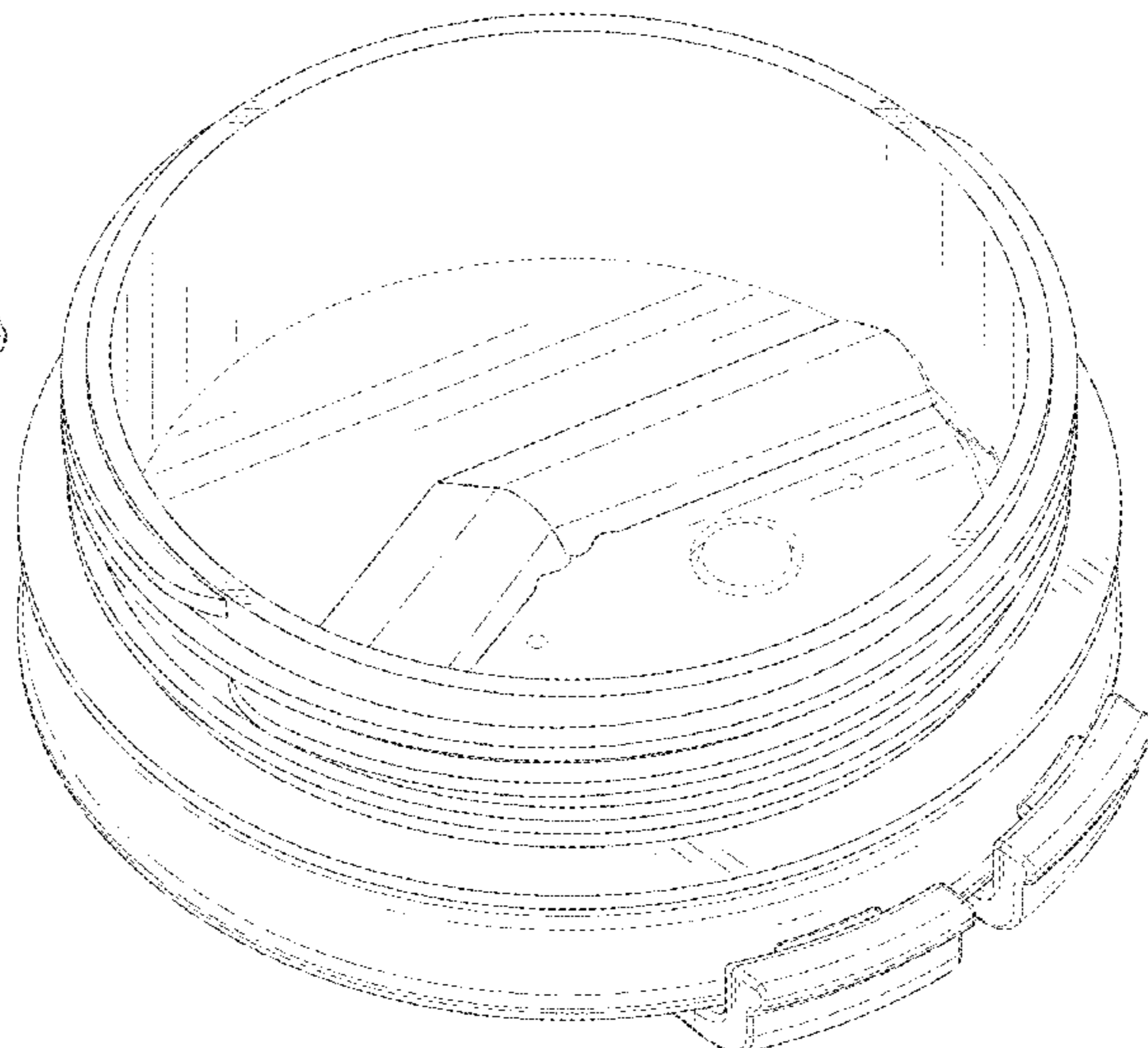
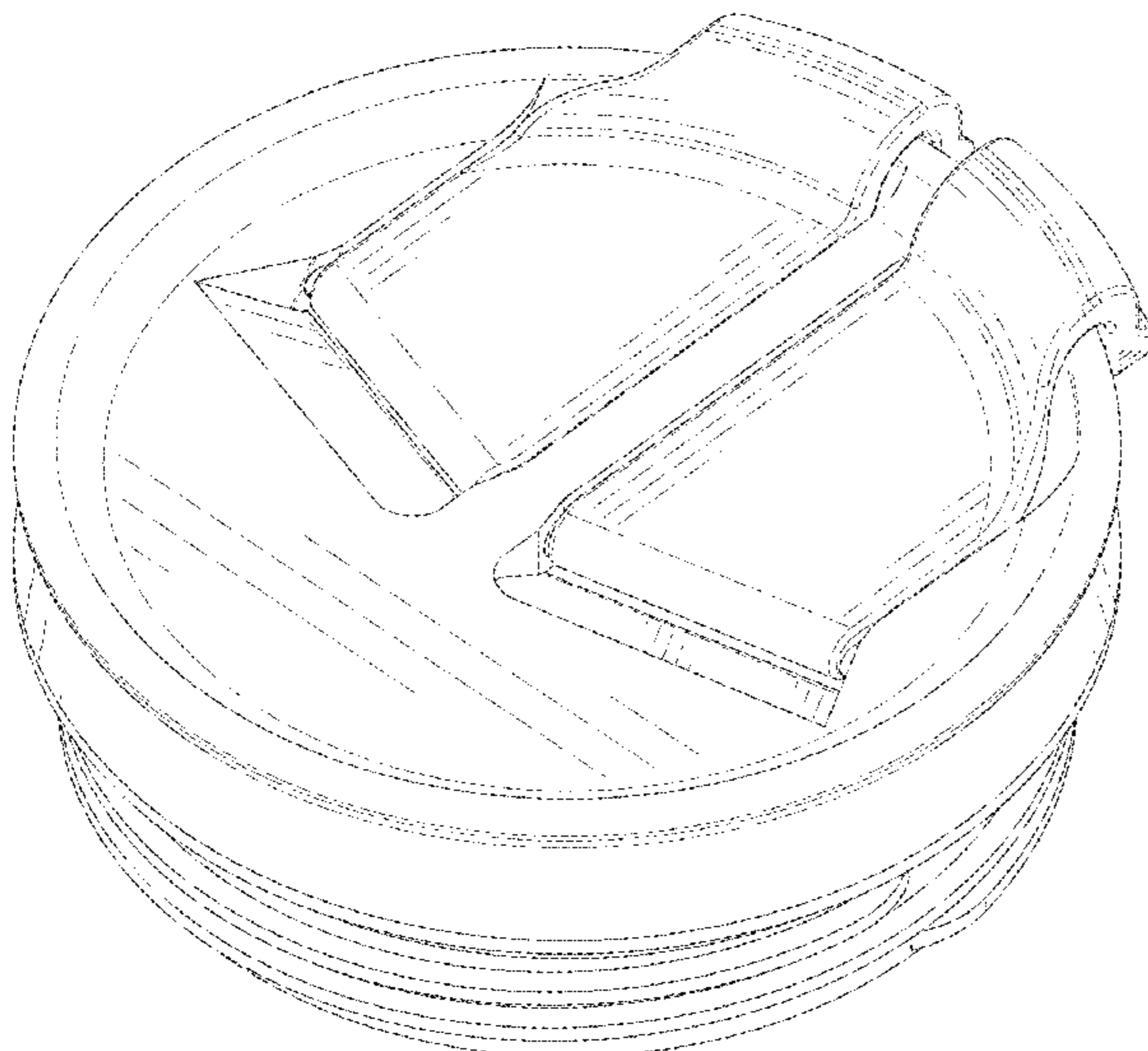
FIG. 6 is a right side elevational view thereof;

FIG. 7 is a top plan view thereof; and,

FIG. 8 is a bottom plan view thereof.

The broken lines in the figures illustrate portions of the lid of tumbler that form no part of the claimed design.

1 Claim, 8 Drawing Sheets



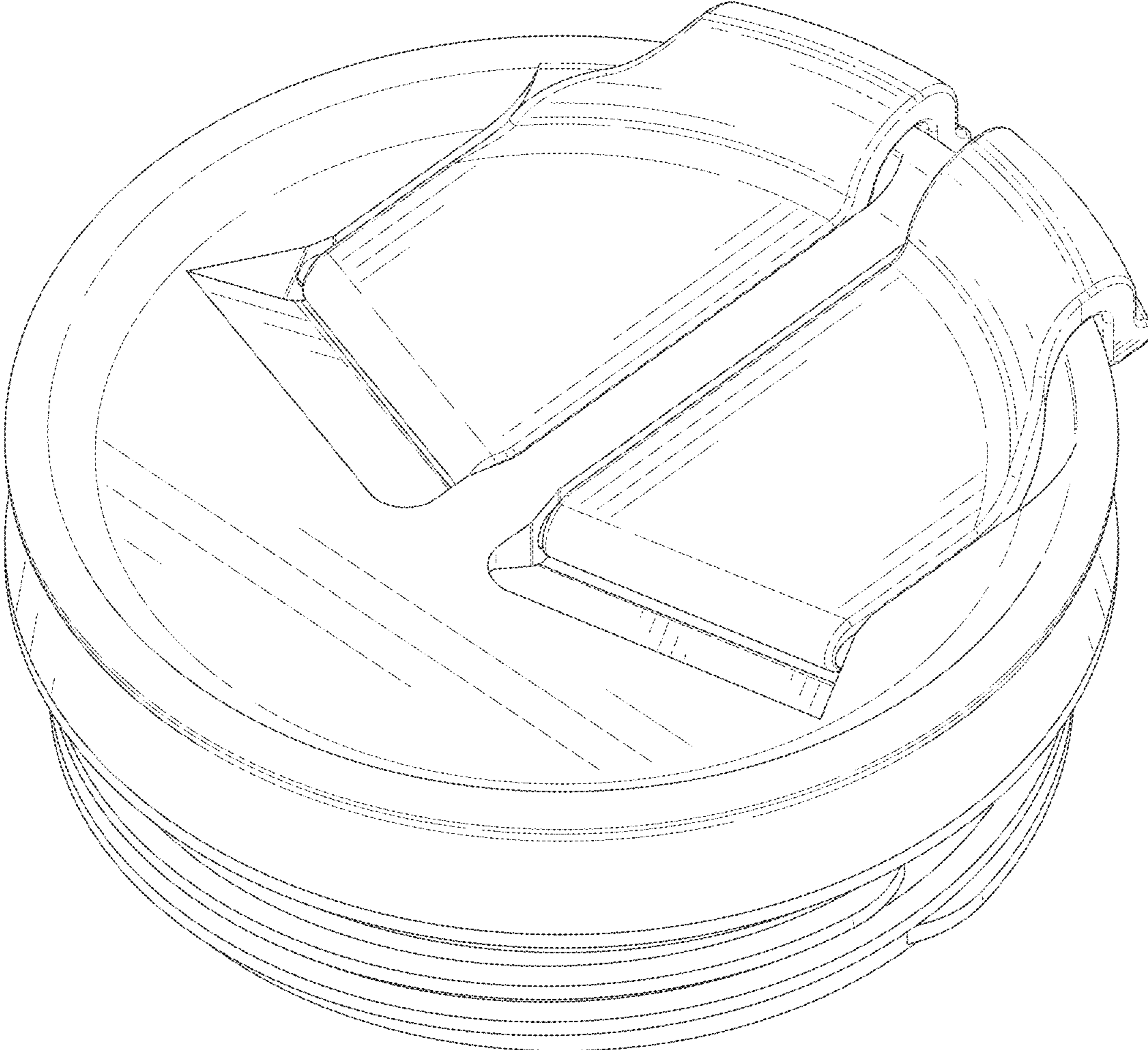


FIG. 1

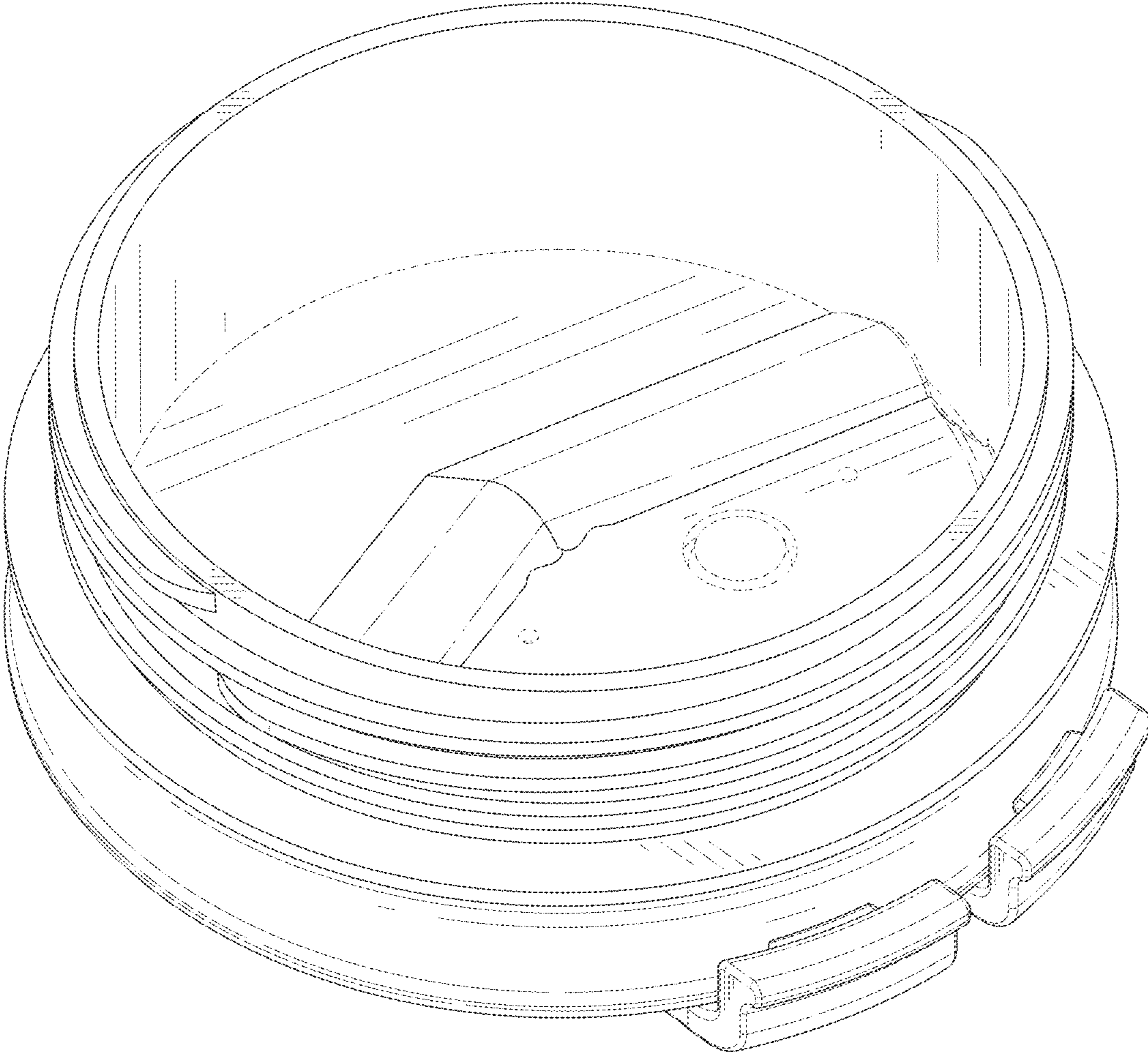


FIG. 2

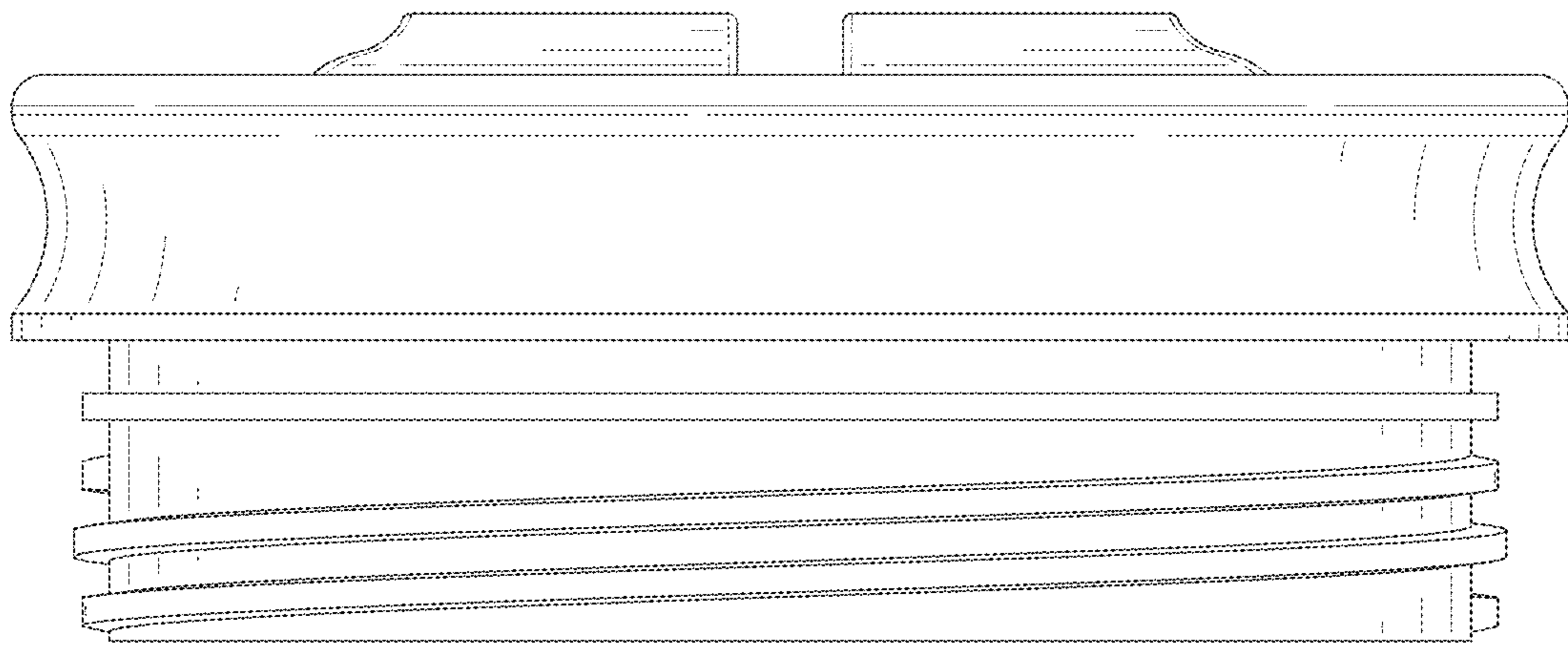


FIG. 3

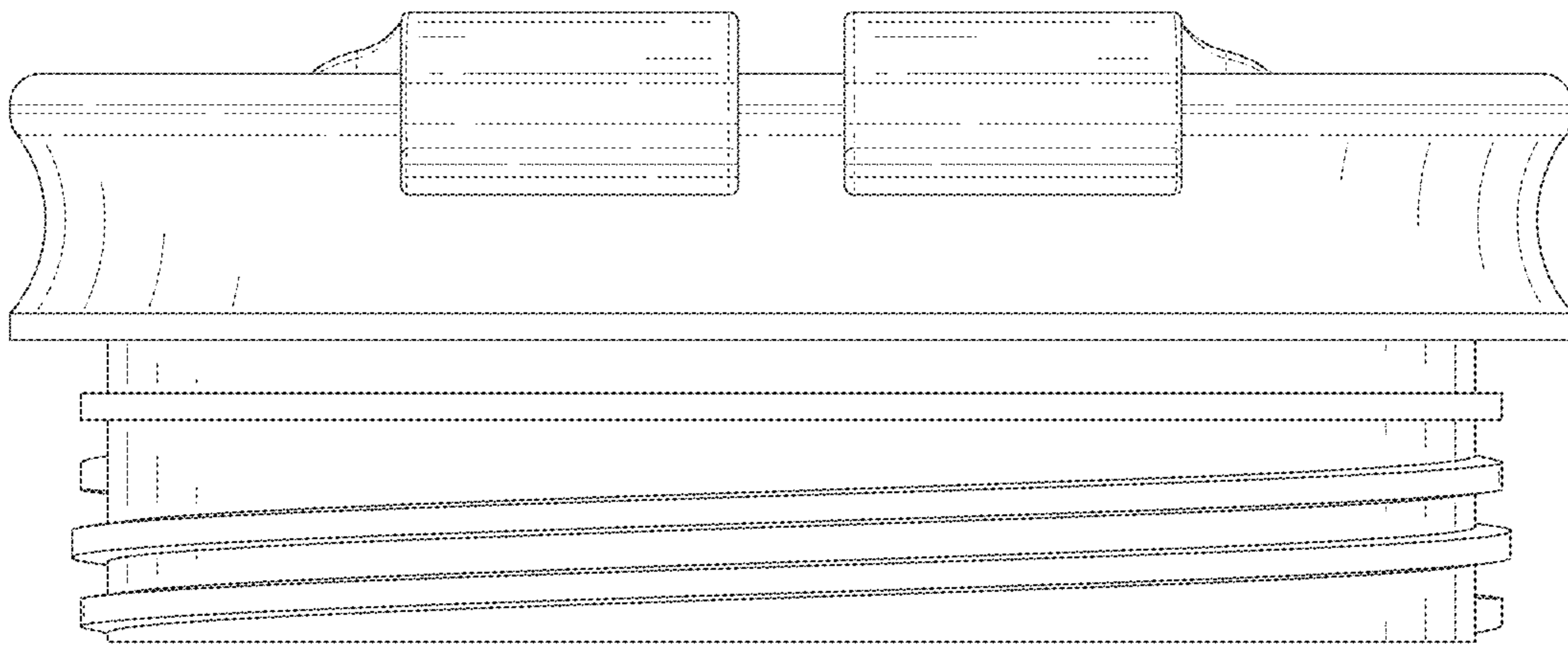


FIG. 4

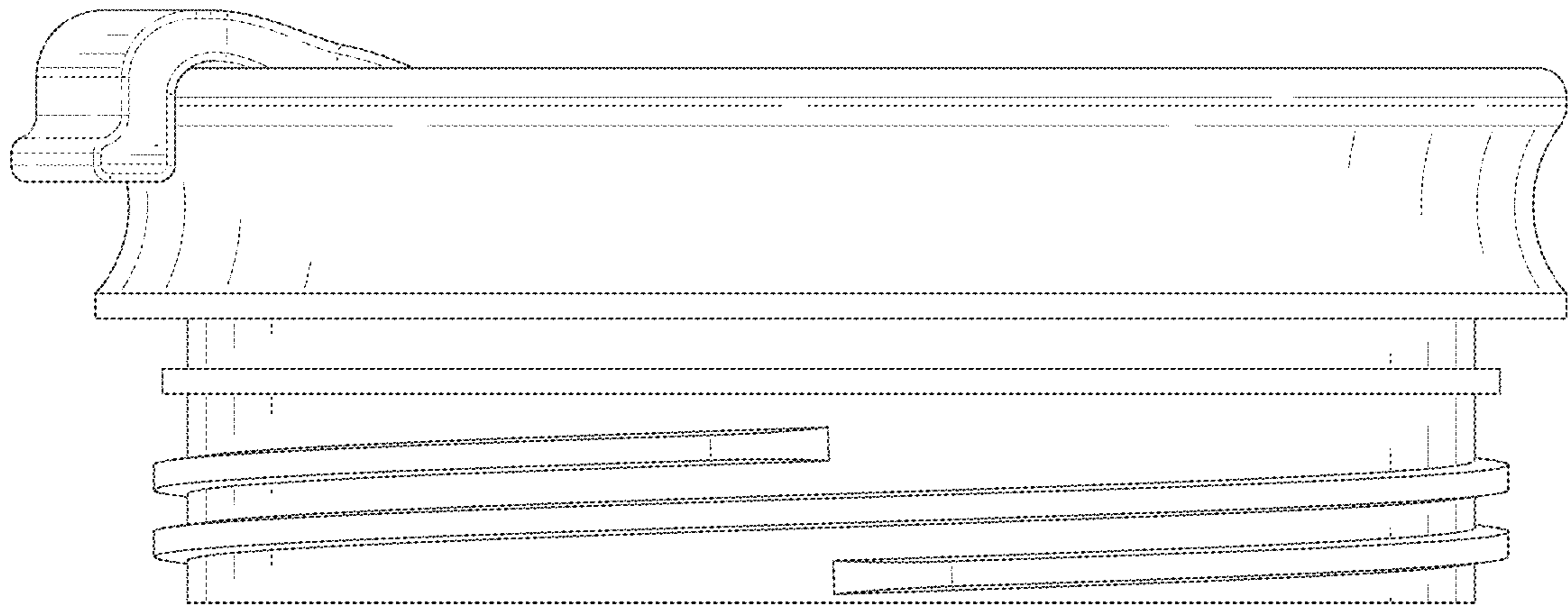


FIG. 5

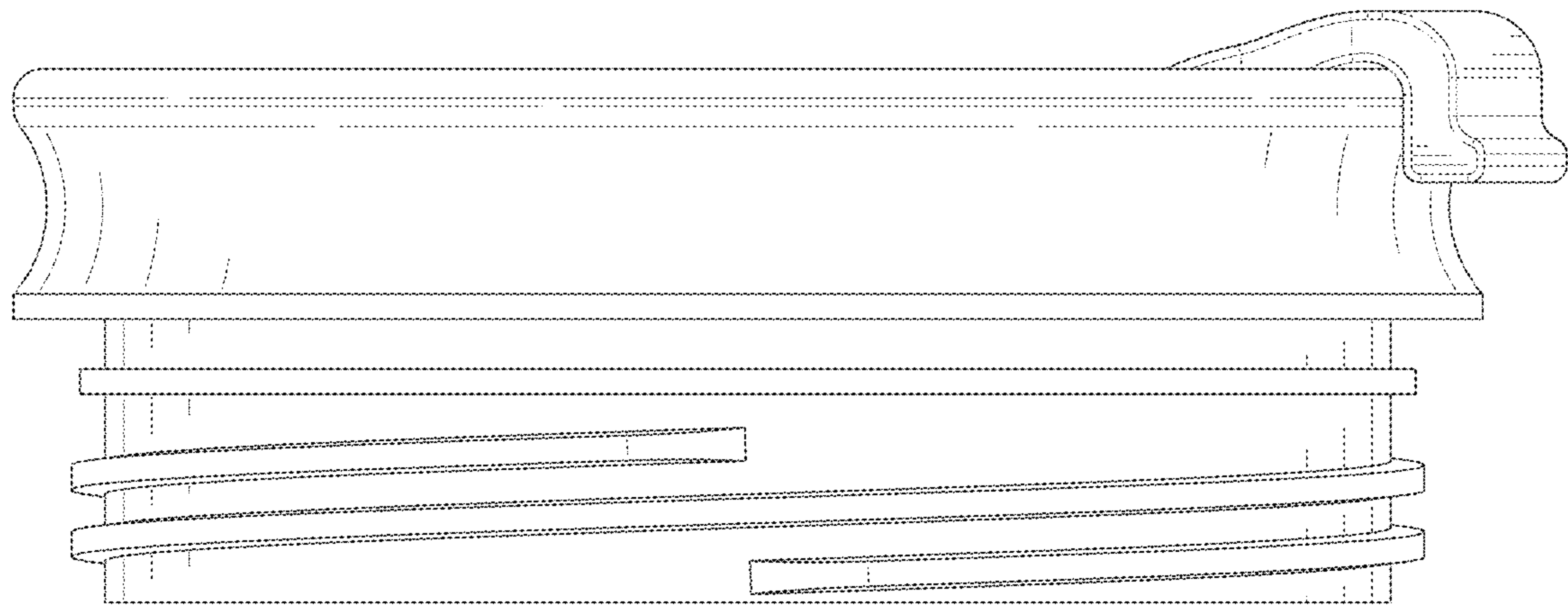


FIG. 6

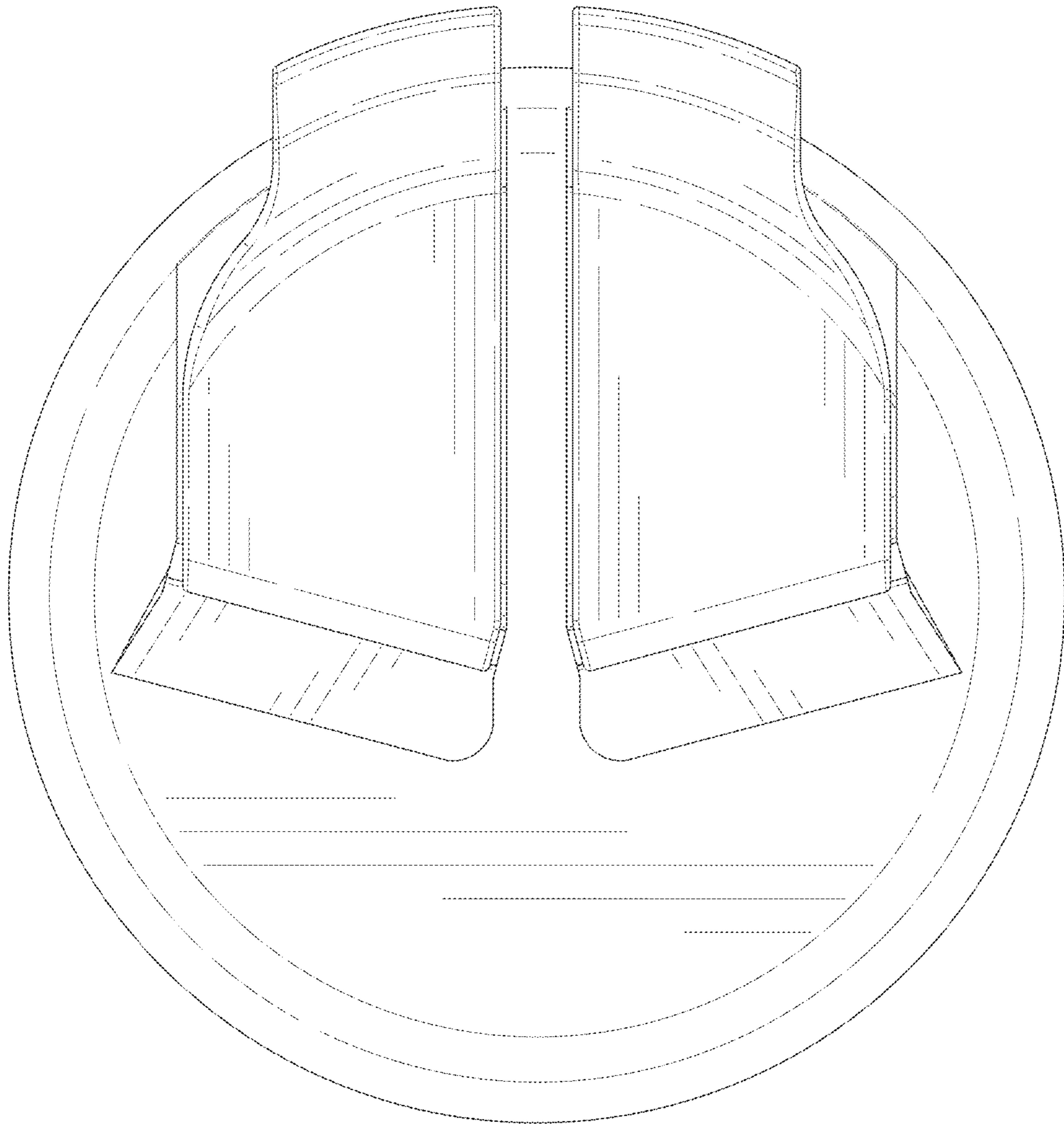


FIG. 7

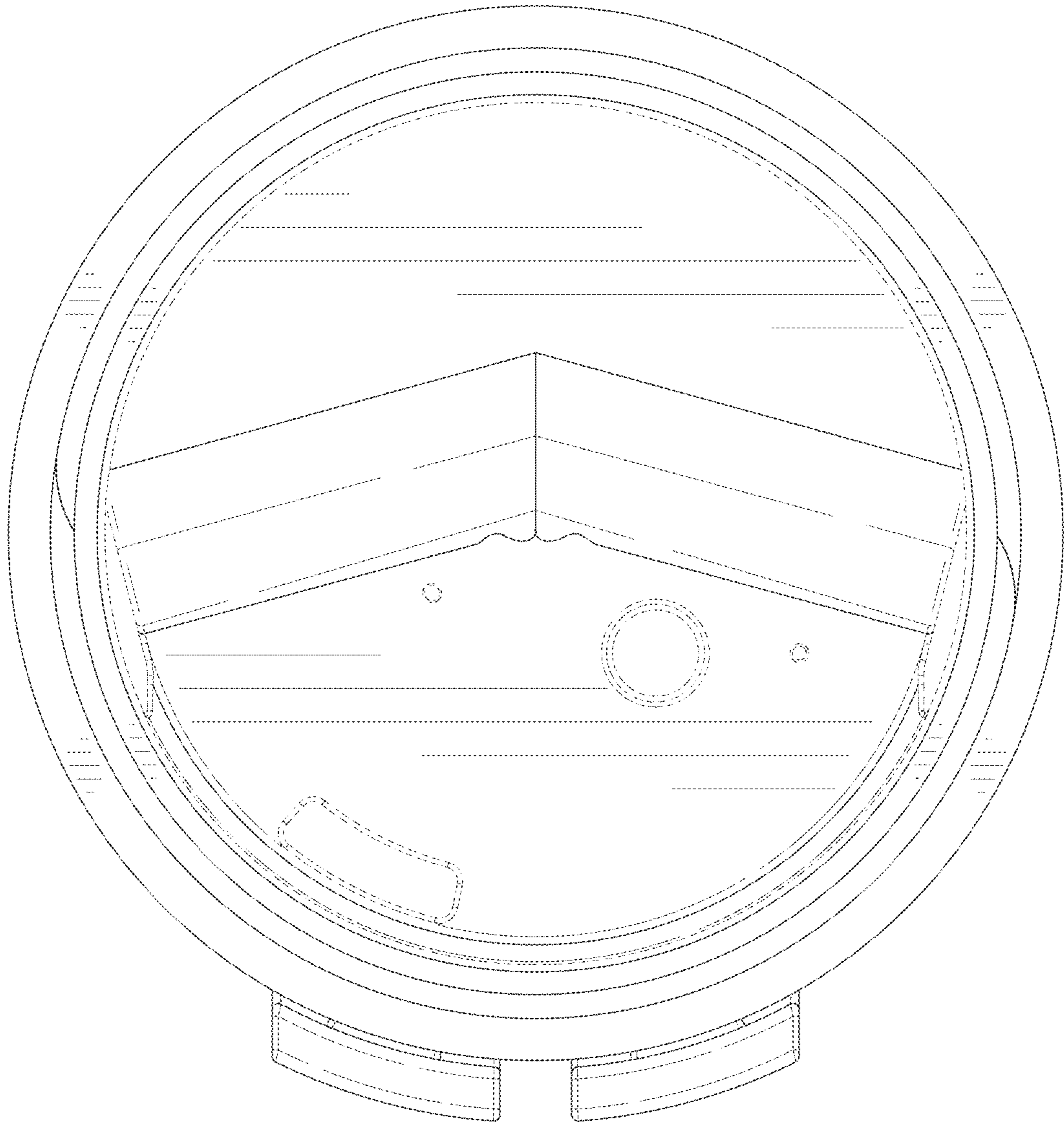


FIG. 8