

US00D969538S

(12) **United States Design Patent**
Zeng et al.

(10) **Patent No.:** **US D969,538 S**

(45) **Date of Patent:** **** Nov. 15, 2022**

(54) **BOTTLE CAP WITH FAN**

(71) Applicant: **O2COOL, LLC**, Chicago, IL (US)

(72) Inventors: **Tom Zeng**, Shenzhen (CN); **Ryan Ruan**, Longgang District of Shenzhen (CN)

(73) Assignee: **O2COOL, LLC**, Chicago, IL (US)

(**) Term: **15 Years**

(21) Appl. No.: **29/754,154**

(22) Filed: **Oct. 7, 2020**

(51) **LOC (13) Cl.** **07-01**

(52) **U.S. Cl.**
USPC **D7/392.1; D7/391**

(58) **Field of Classification Search**
USPC D7/310, 319, 323, 354–363, 391, 392, D7/392.1, 393–396, 396.2, 401.1, 510, D7/511; D9/435, 440, 447, 450–453, D9/454, 504, 523, 670
CPC .. A47G 19/027; A47G 19/12; A47G 19/2272; A47J 27/00; A47J 27/002; A47J 27/08; A47J 27/13; A47J 27/21; A47J 27/58; A47J 36/025; A47J 36/027; A47J 36/06; A47J 36/12; A47J 37/00; A47J 37/0704; A47J 37/10; A47J 37/101; A47J 37/103; A47J 37/12; A47J 37/1204; A47J 39/02; A47J 45/061; A47J 45/071; A47J 45/08; B65D 41/0407; B65D 17/401; H05B 6/12; H05B 6/804; H05B 6/6494; A61J 1/2093; A61J 11/00; C02F 1/003

See application file for complete search history.

(56) **References Cited**

U.S. PATENT DOCUMENTS

D204,326 S * 4/1966 Wilson D9/450
D206,499 S * 12/1966 Wilson D9/450

D214,722 S * 7/1969 Hazard D9/450
D214,882 S * 8/1969 Hazard D9/450
D291,281 S * 8/1987 Danner D9/503
D590,713 S * 4/2009 Ray D9/450
D632,176 S * 2/2011 McKinney D9/453
D727,680 S * 4/2015 Parekh D7/392.1
D850,913 S * 6/2019 Ke D9/452
D909,815 S * 2/2021 Gui D7/533
2004/0187439 A1 * 9/2004 St. John B65D 17/401
53/410
2010/0219151 A1 * 9/2010 Rishiq C02F 1/003
210/348
2019/0021529 A1 * 1/2019 Schucker A47G 19/2272

* cited by examiner

Primary Examiner — Ricky Pham

(74) *Attorney, Agent, or Firm* — Thompson Coburn LLP

(57) **CLAIM**

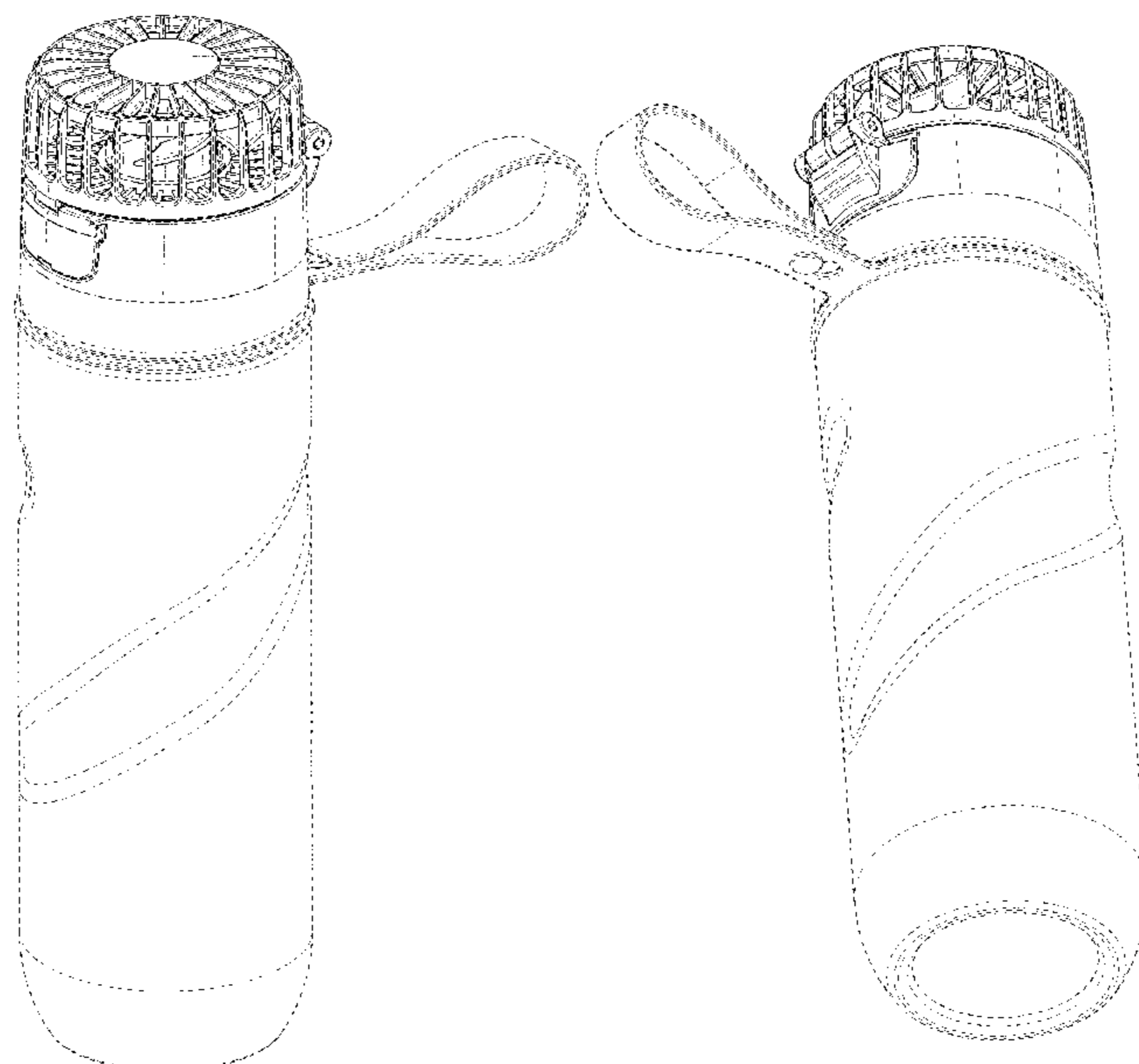
The ornamental design for a bottle cap with fan, as shown and described.

DESCRIPTION

FIG. 1 is a first perspective view of the bottle cap with fan showing our new design;
FIG. 2 is a front view thereof;
FIG. 3 is a rear view thereof;
FIG. 4 is a left side view thereof;
FIG. 5 is a right side view thereof;
FIG. 6 is a top view thereof;
FIG. 7 is a bottom view thereof; and,
FIG. 8 is a second perspective view thereof.

The broken lines depict portions of the bottle cap with fan that form no part of the claimed design. The dot dash dot broken line is an unclaimed feature line that serves as a boundary to the claim. The broken lines below the dot dash dot broken line illustrating a bottle is environment that forms no part of the claimed design.

1 Claim, 7 Drawing Sheets



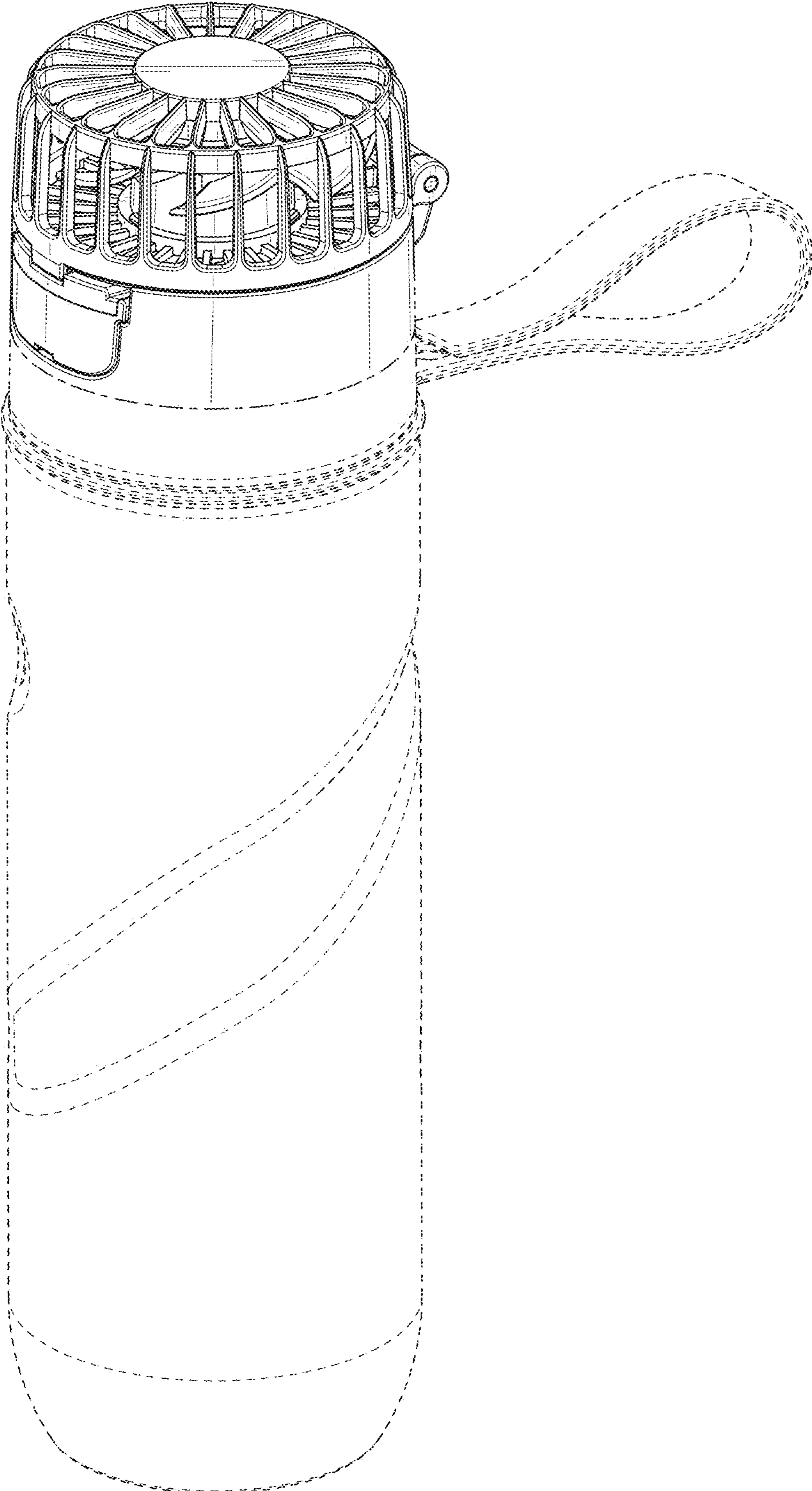


FIG. 1

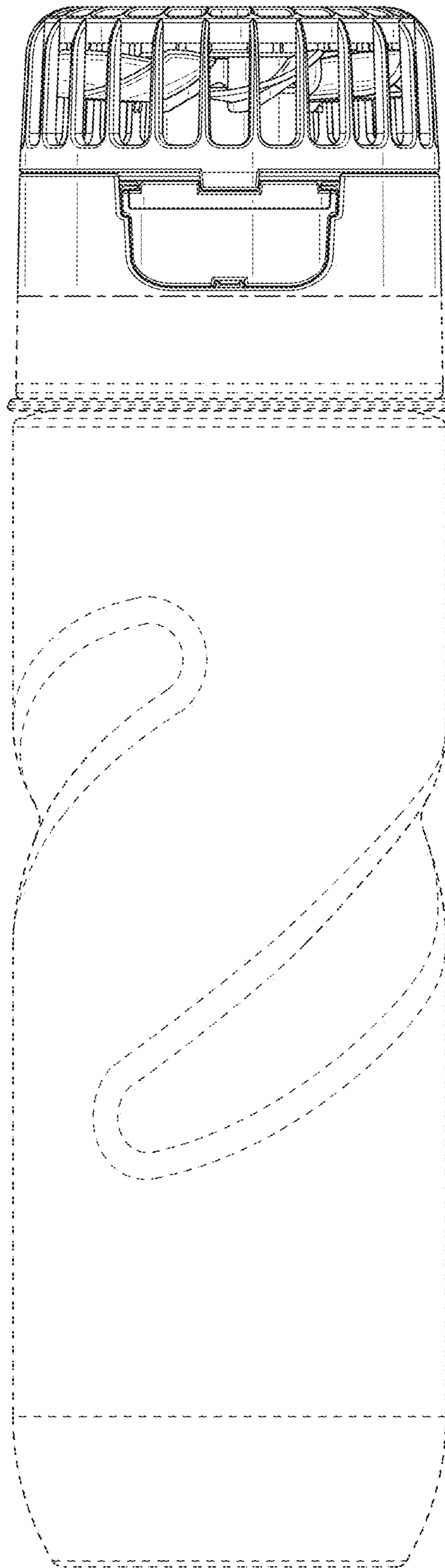


FIG. 2

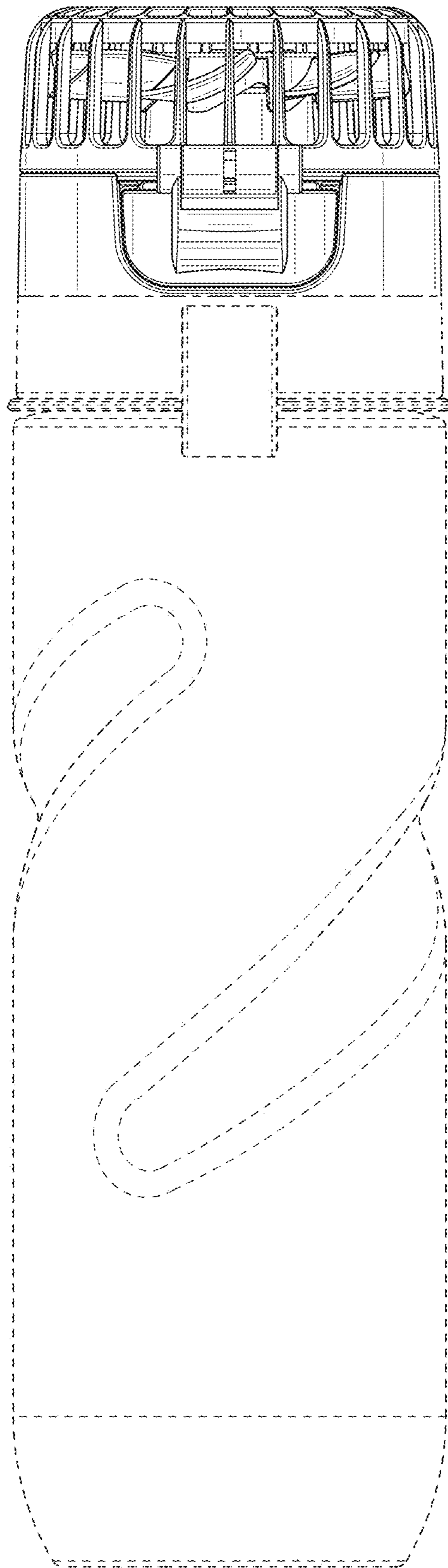


FIG. 3

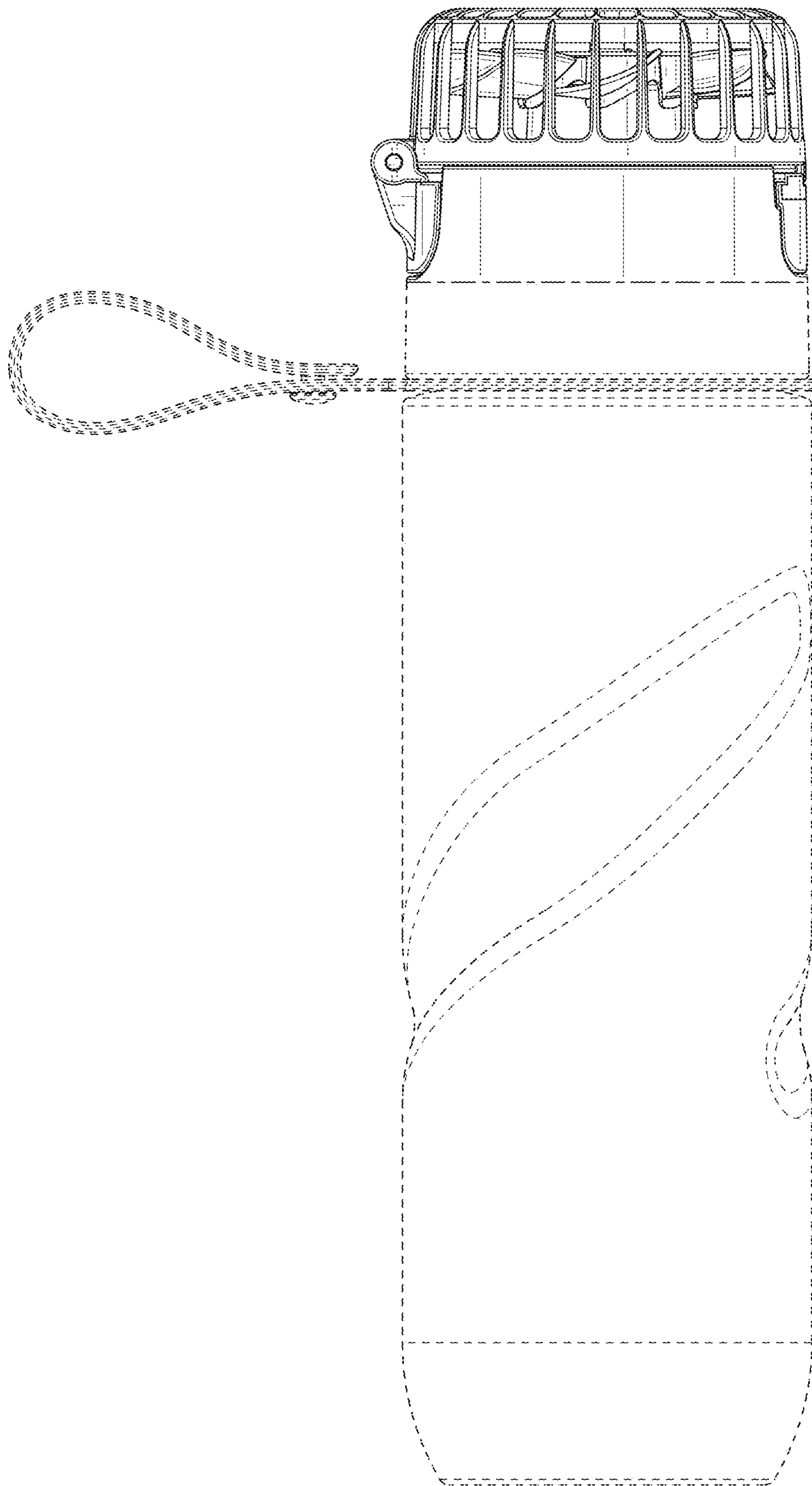


FIG. 4

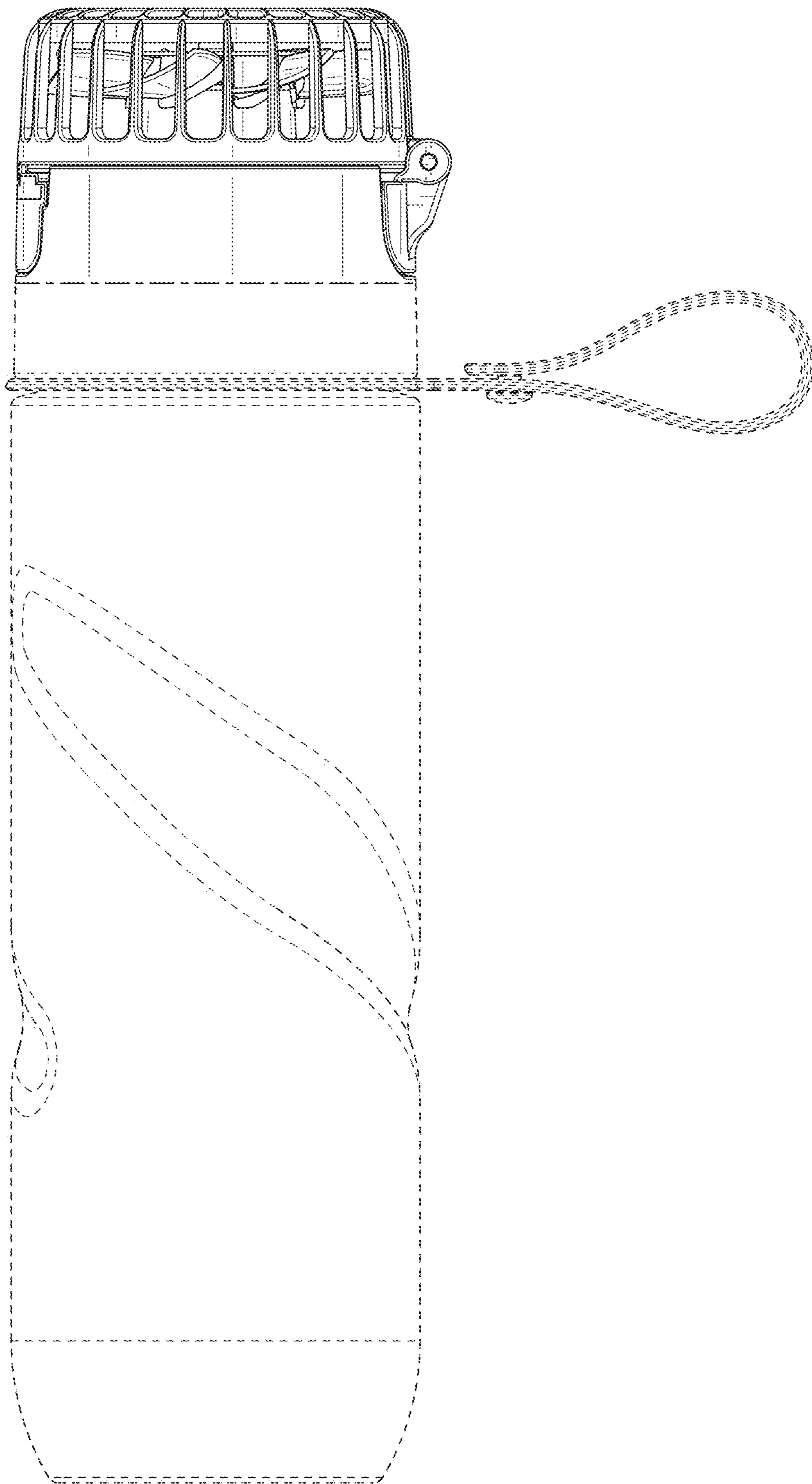


FIG. 5

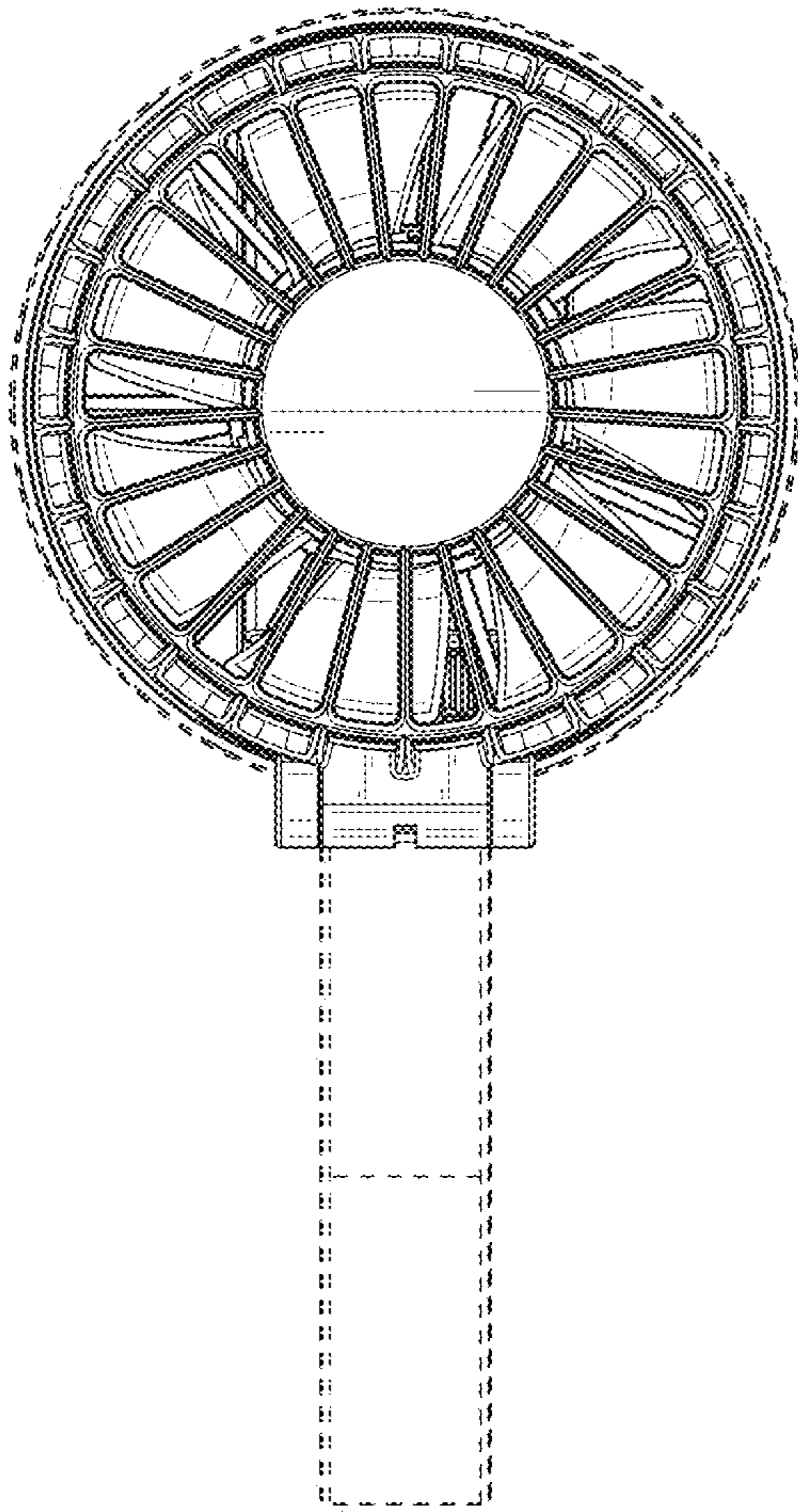


FIG. 6

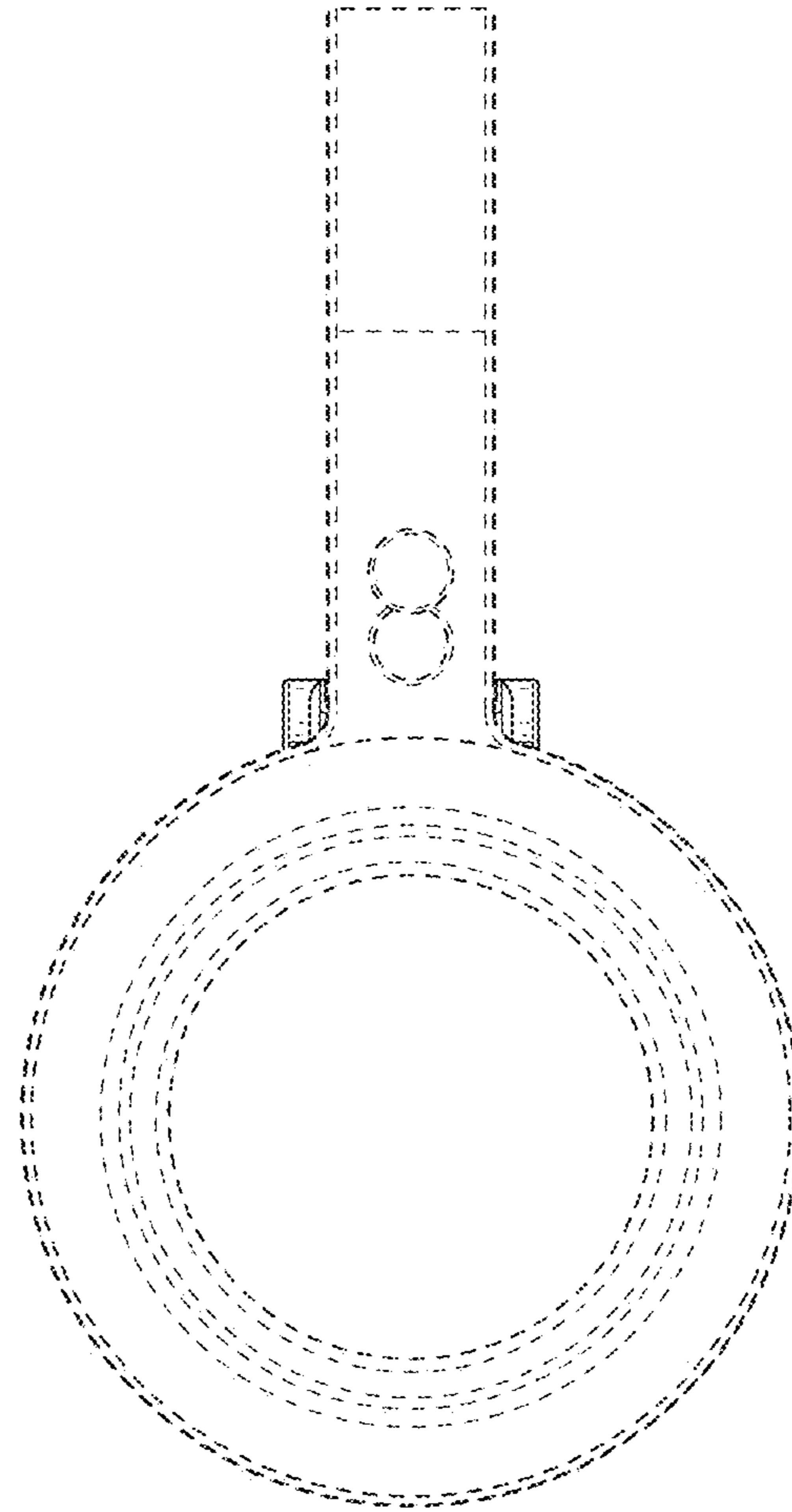


FIG. 7

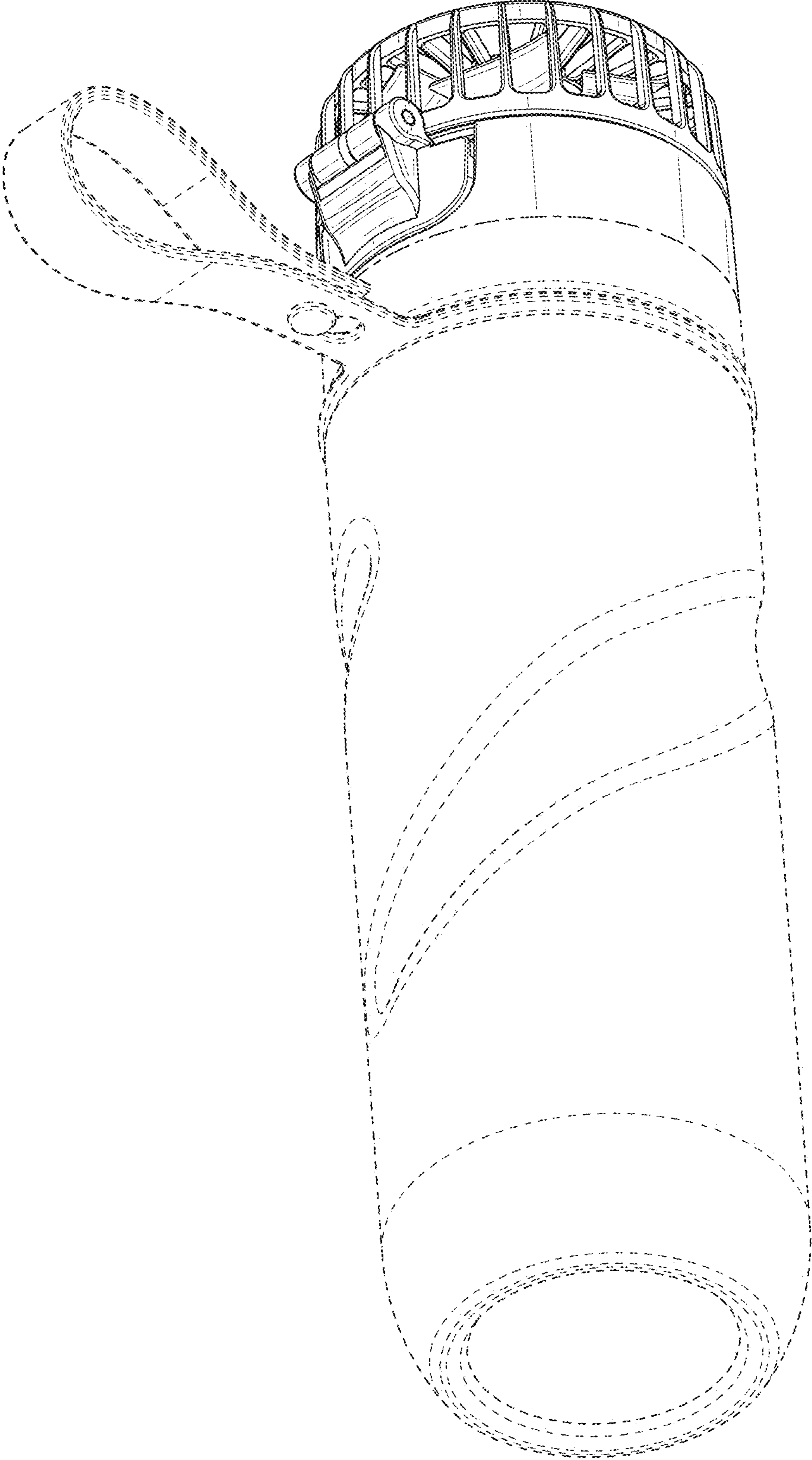


FIG. 8