



US00D969537S

(12) **United States Design Patent**
Li et al.

(10) **Patent No.:** **US D969,537 S**

(45) **Date of Patent:** **** Nov. 15, 2022**

(54) **BOTTLE LID**

(71) Applicants: **Xiuxiu Li**, Chuzhou (CN); **Linfang Tan**, Huainan (CN)

(72) Inventors: **Xiuxiu Li**, Chuzhou (CN); **Linfang Tan**, Huainan (CN)

(**) Term: **15 Years**

(21) Appl. No.: **29/738,300**

(22) Filed: **Jun. 16, 2020**

(51) **LOC (13) Cl.** **07-02**

(52) **U.S. Cl.**
USPC **D7/392.1**

(58) **Field of Classification Search**
USPC D7/387, 391, 392, 392.1, 396.1, 396.2,
D7/397; D9/434, 435, 436, 443, 447,
D9/448, 449, 439, 440, 454
CPC A45F 3/18; C02F 2201/3222; B65D
2251/0003; B65D 2251/0015; B65D
2251/0078; B65D 2251/08; B65D
47/0885; B65D 47/0876; A47G 19/2272
See application file for complete search history.

(56) **References Cited**

U.S. PATENT DOCUMENTS

D621,260 S *	8/2010	Brannon	D9/449
D682,612 S *	5/2013	Rzepecki	D9/449
D801,111 S *	10/2017	Eyal	D9/449
D824,721 S *	8/2018	Hu	D7/392.1
D856,067 S *	8/2019	Barber	D7/392.1
D858,181 S *	9/2019	Lown	D9/449
D862,977 S *	10/2019	Bohman	D7/392.1
D870,509 S *	12/2019	Bo	D7/392.1
D879,550 S *	3/2020	Lane	D7/392
D884,418 S *	5/2020	Wang	D7/396.2
D896,024 S *	9/2020	Wang	D9/449
D896,572 S *	9/2020	Nichols	D9/449
D900,536 S *	11/2020	Yao	D7/392.1
D918,652 S *	5/2021	Pearce	D7/396.2
D920,041 S *	5/2021	Chen	D7/396.2

D920,739 S *	6/2021	Omdahl, II	D7/392.1
D922,136 S *	6/2021	Lin	D9/449
D925,279 S *	7/2021	Wang	D7/396.2
D925,974 S *	7/2021	Pearce	D7/392.1
D935,266 S *	11/2021	Chen	D7/392.1
D935,836 S *	11/2021	Wang	D9/449
D943,419 S *	2/2022	Zhang	D9/449
D944,052 S *	2/2022	Yao	D7/392.1
D944,591 S *	3/2022	Yao	D7/392.1

(Continued)

OTHER PUBLICATIONS

Spout Lid for HydroflaskL Announced Jun. 30, 2021 (online). Site visited [May 6, 2022]. Available from Internet URL: https://www.amazon.com/dp/B095V9WCTJ/ref=sspa_dk_detail_5?psc=1&pd_rd_i=B095V9WCTJ&pd_rd_w=nBYgC&pf_rd_p=57cbdc41-b731-4e3d-a%E2%80%A6%201/9.*

(Continued)

Primary Examiner — Catherine S Posthauer

(57) **CLAIM**

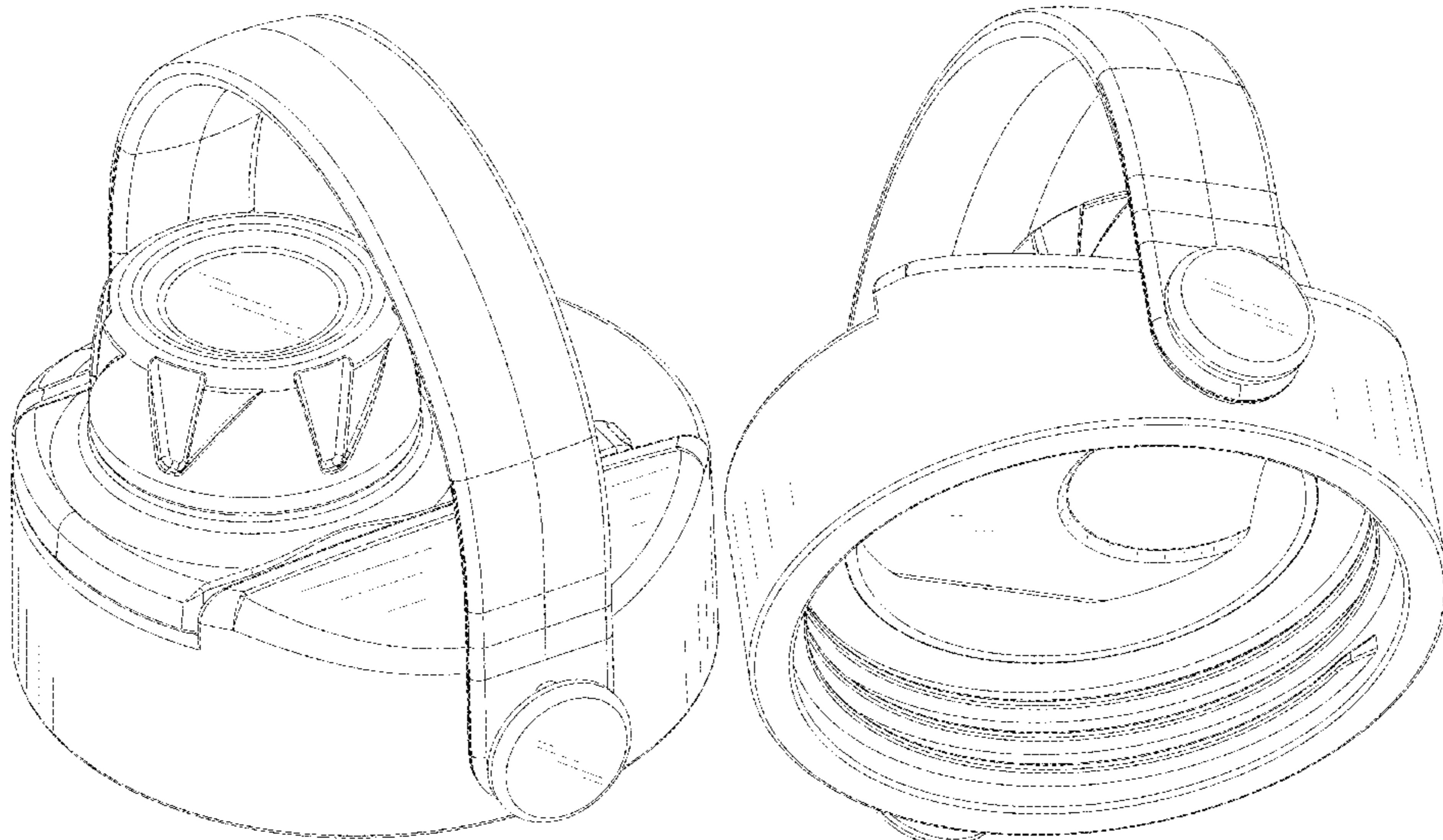
The ornamental design for a bottle lid, as shown and described.

DESCRIPTION

FIG. 1 is a front, top perspective view of a bottle lid showing my new design;
FIG. 2 is a rear, top perspective view thereof;
FIG. 3 is a rear, bottom perspective view thereof;
FIG. 4 is a front elevational view thereof;
FIG. 5 is a rear elevational view thereof;
FIG. 6 is a left side elevational view thereof;
FIG. 7 is a right side elevational view thereof;
FIG. 8 is a top plan view thereof; and,
FIG. 9 is a bottom plan view thereof.

The evenly broken lines are shown for the purpose of illustrating part of the article that form no part of the claimed design. The dot-dash broken lines represent the boundaries of the claim and form no part thereof.

1 Claim, 9 Drawing Sheets



(56)

References Cited

U.S. PATENT DOCUMENTS

D945,210 S * 3/2022 Ni D7/392.1
2020/0148430 A1 * 5/2020 Cornelius B65D 47/088

OTHER PUBLICATIONS

Bottle: Announced Jun. 30, 2021 (online). Site Visited [May 6, 2022]. Available from Internet URL: https://www.amazon.com/Insulated-Stainless-Straw-Spout-Handle-Leak-Proof-Flask-Black/dp/B098D6KS42/ref=sr_1_1_sspa?crid=12U57X3AGNIC%E2%80%A6+1%2F13&th=1.*

Glink: Announced Jul. 7, 2020 (online). Site Vistied [May 6, 2022]. Available from Internet URL: https://www.amazon.com/Glink-Stainless-Insulated-Leakproof-Rotating/dp/B09FL9Y542/ref=sr_1_2?crid=12U57X3AGNICM&keywords=Replacemen...1/10.*

Takeya Bottle: Announced Oct. 11, 2020 (online). Site Vistied [May 6, 2022]. Available from Internet URL: https://www.amazon.com/SENDESTAR-Bottle-Flexible-Handle-Compatible/dp/B08L22B84G/ref=sr_1_47?crid=2G8EQD7E4KK4W&keywords=Repla...1/11.*

* cited by examiner

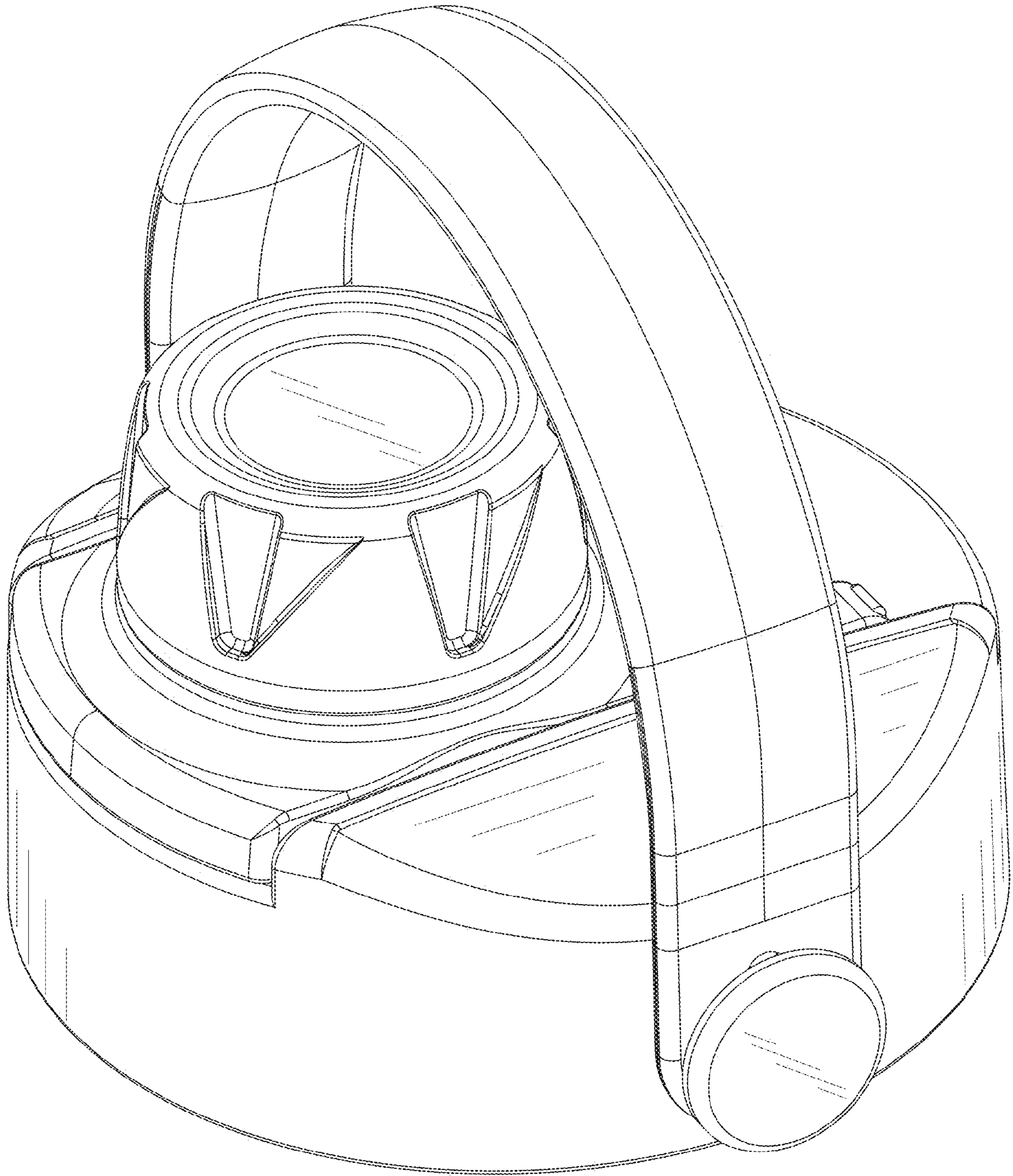


FIG. 1

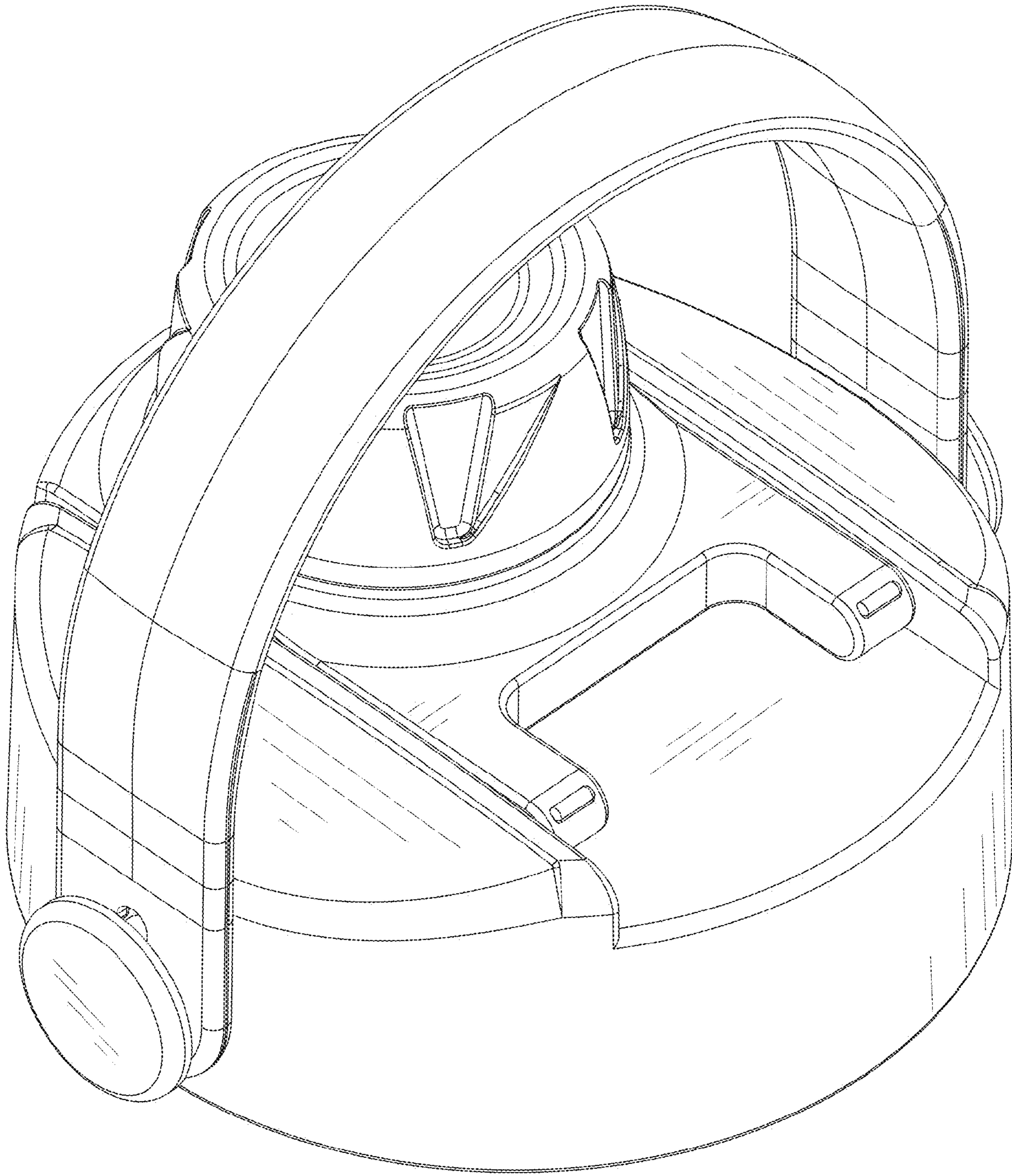


FIG. 2

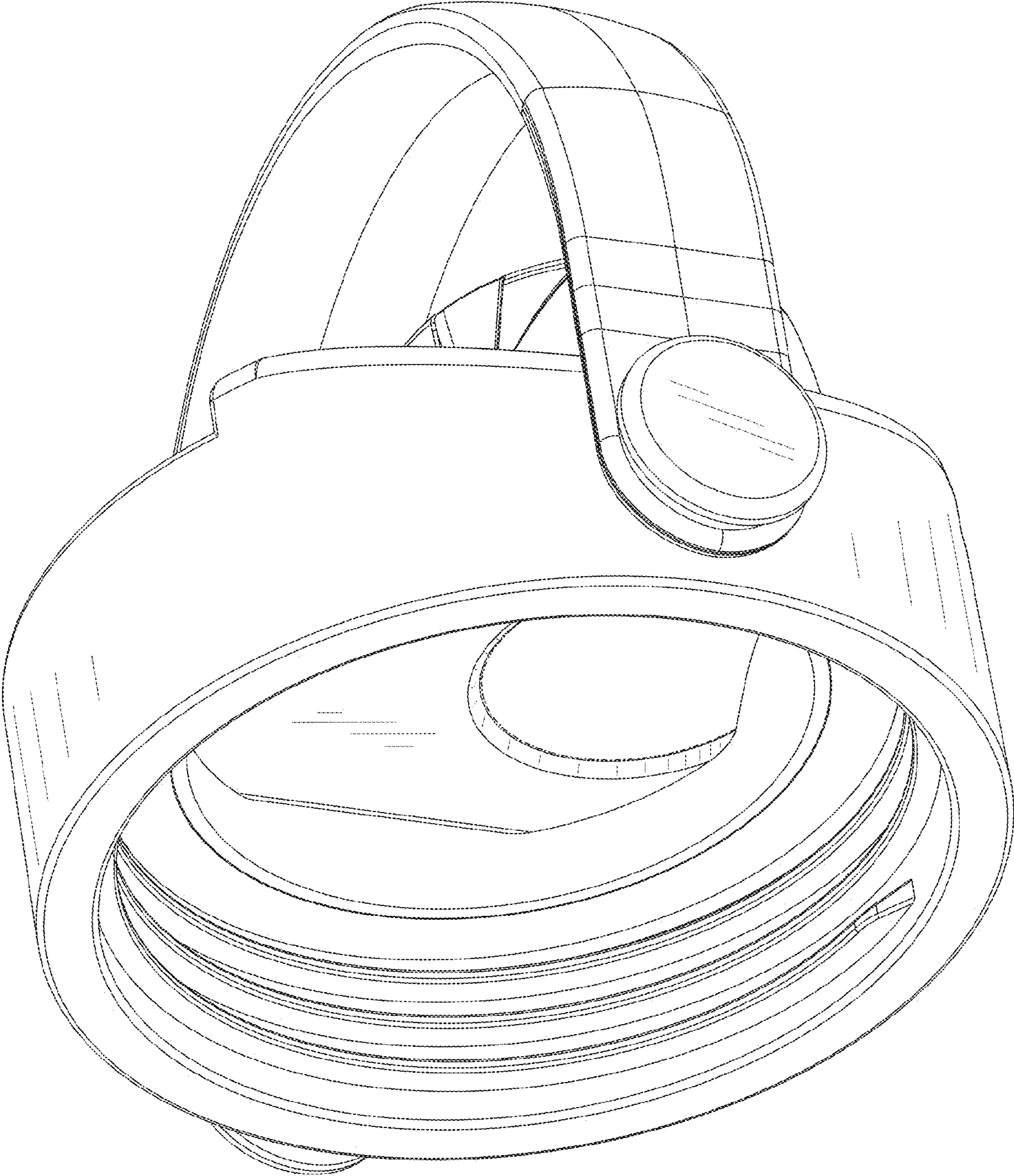


FIG. 3

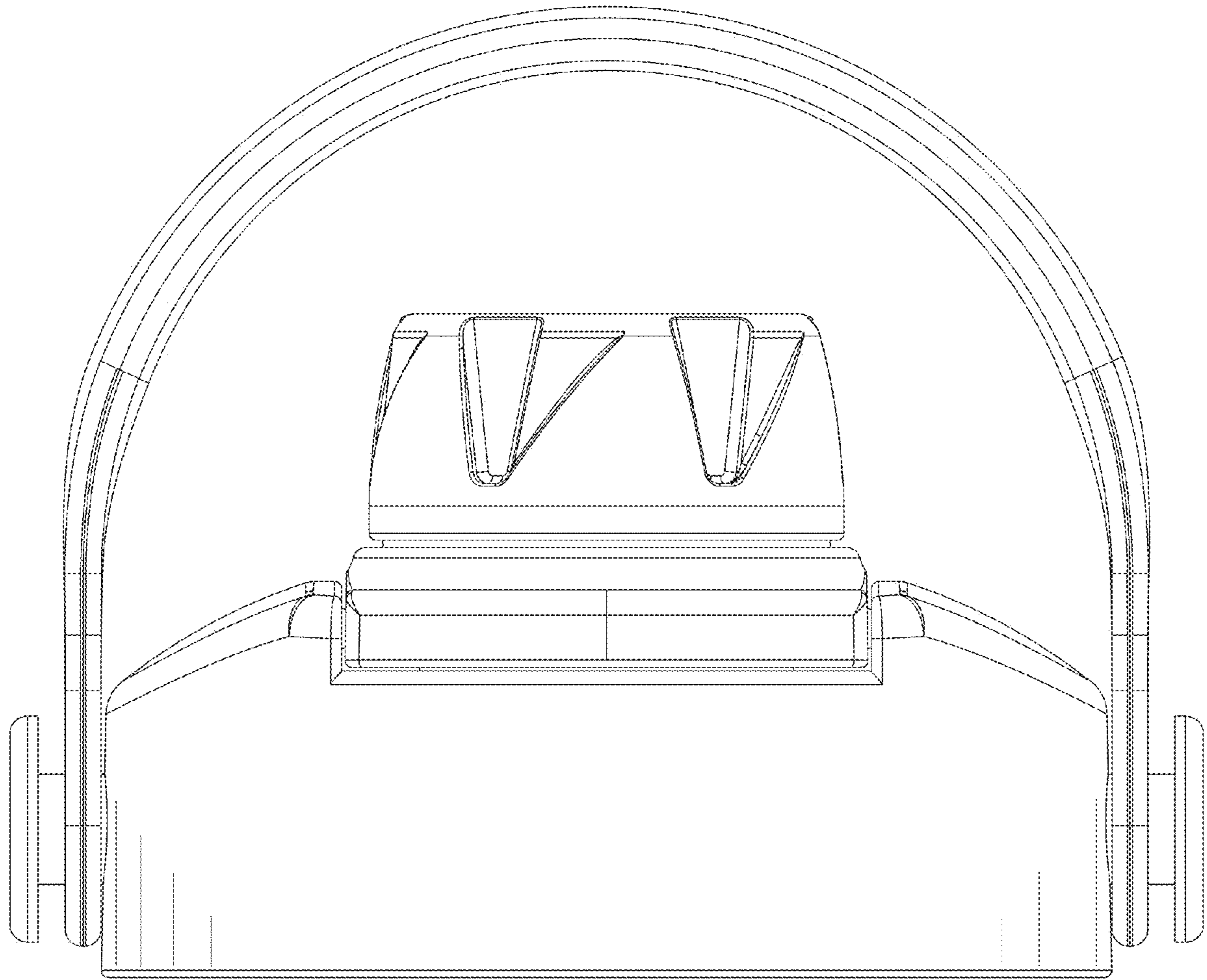


FIG. 4

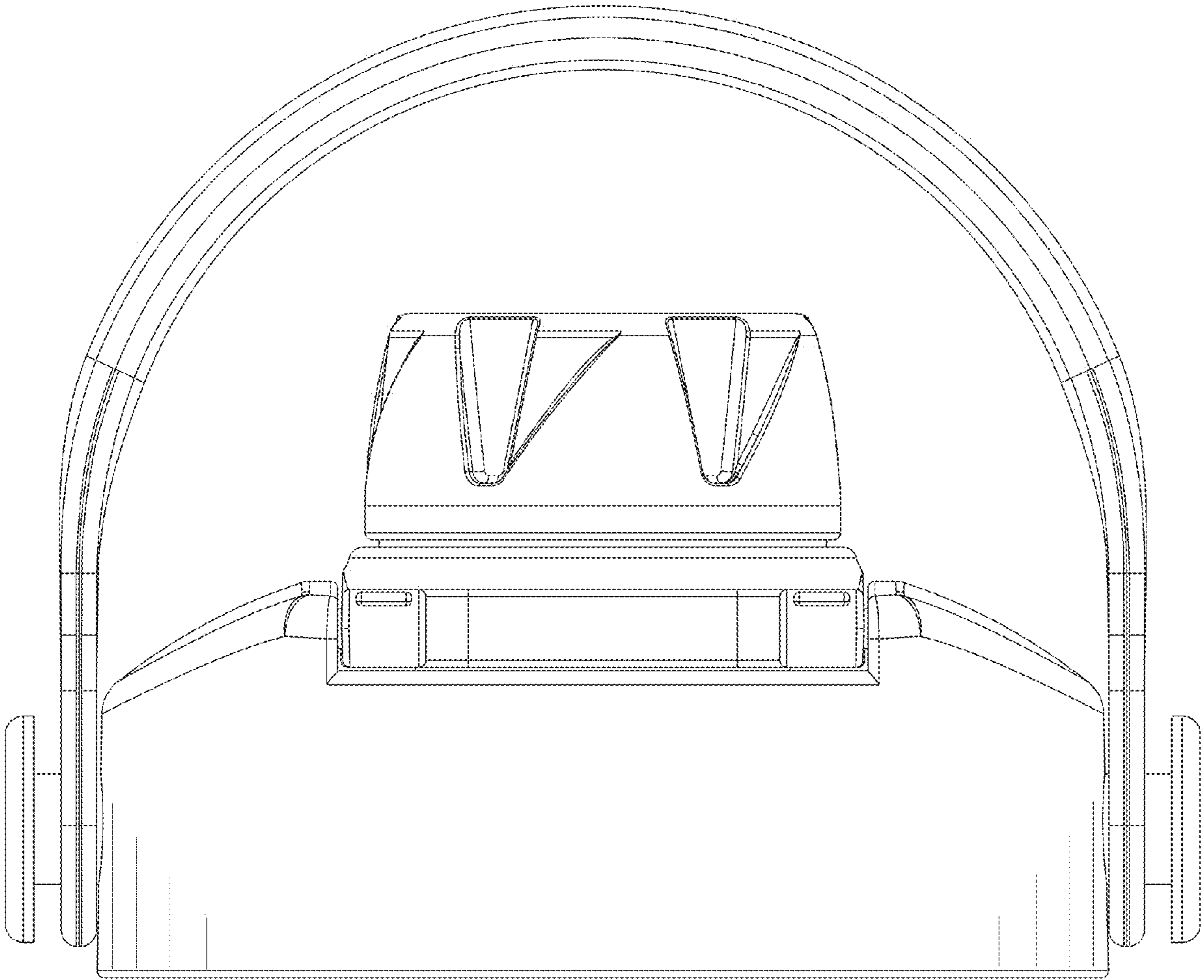


FIG. 5

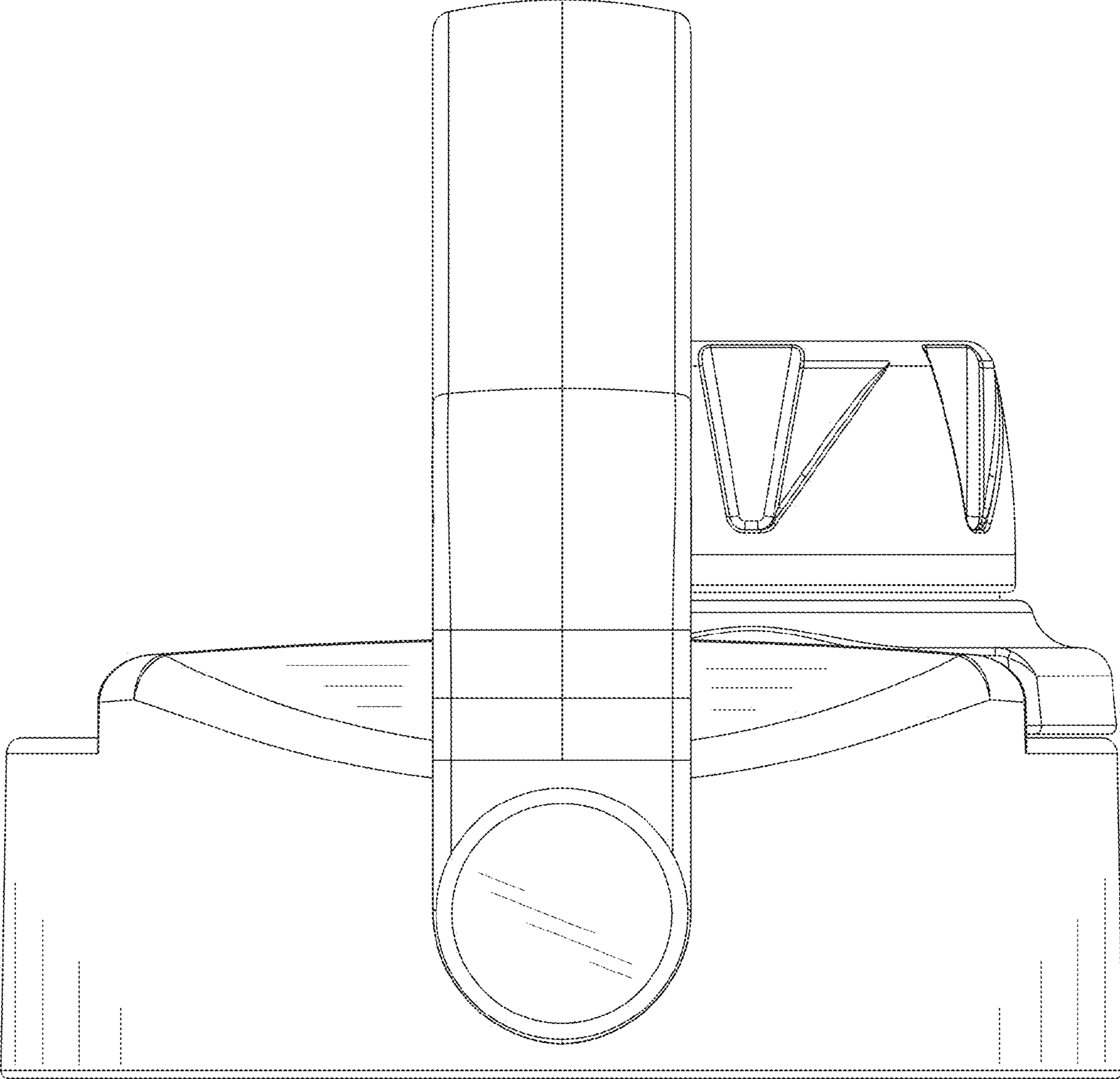


FIG. 6

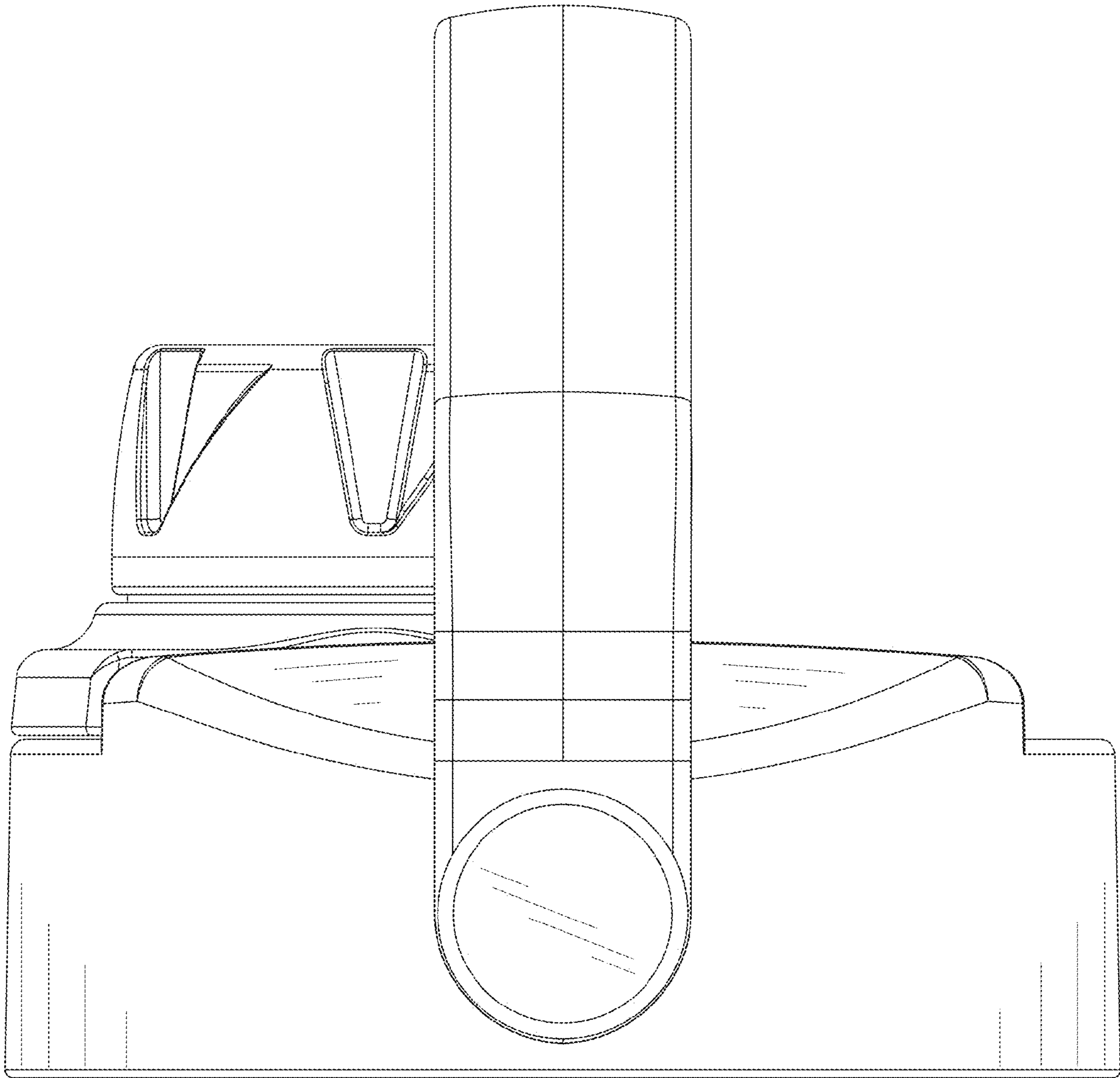


FIG. 7

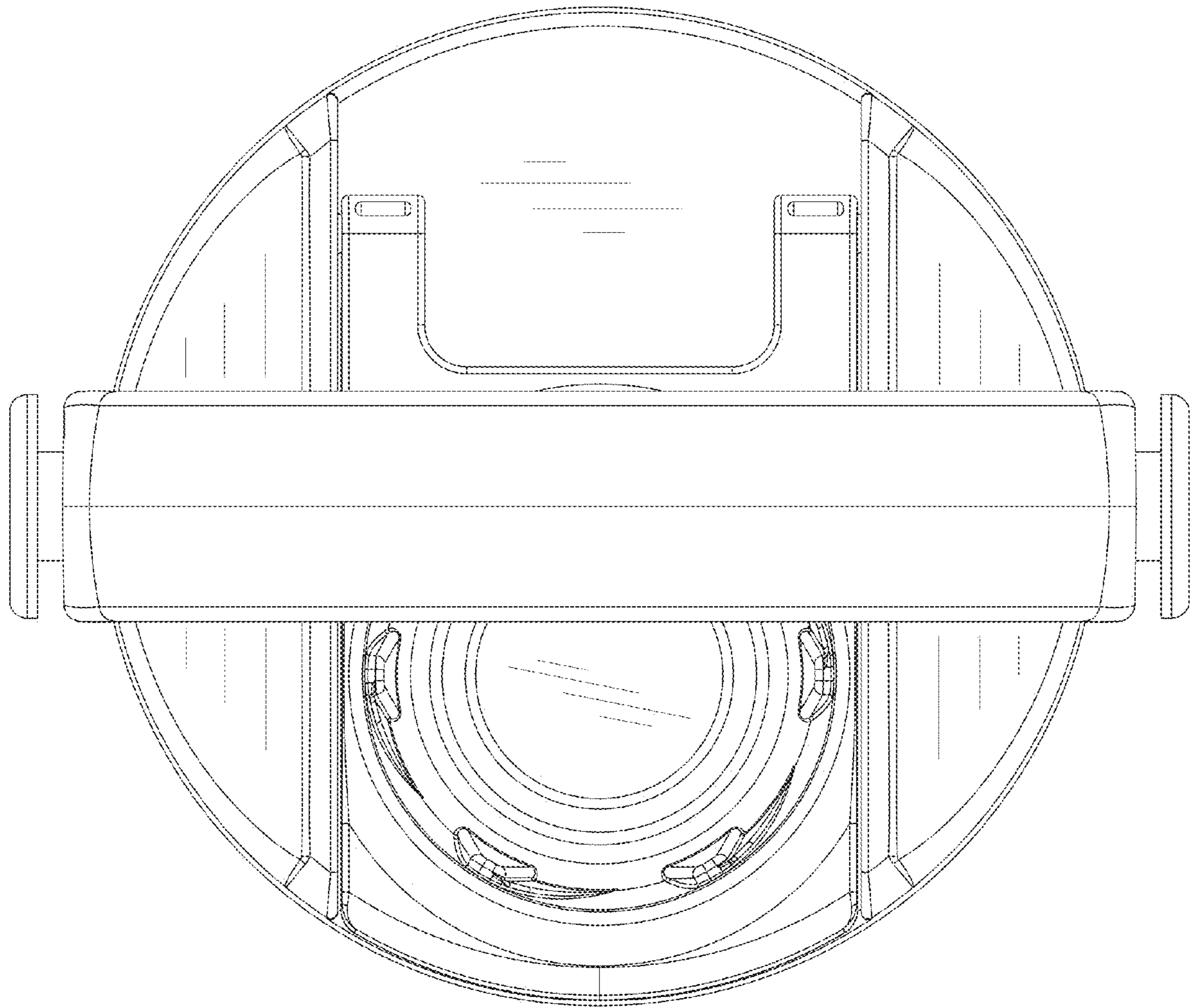


FIG. 8

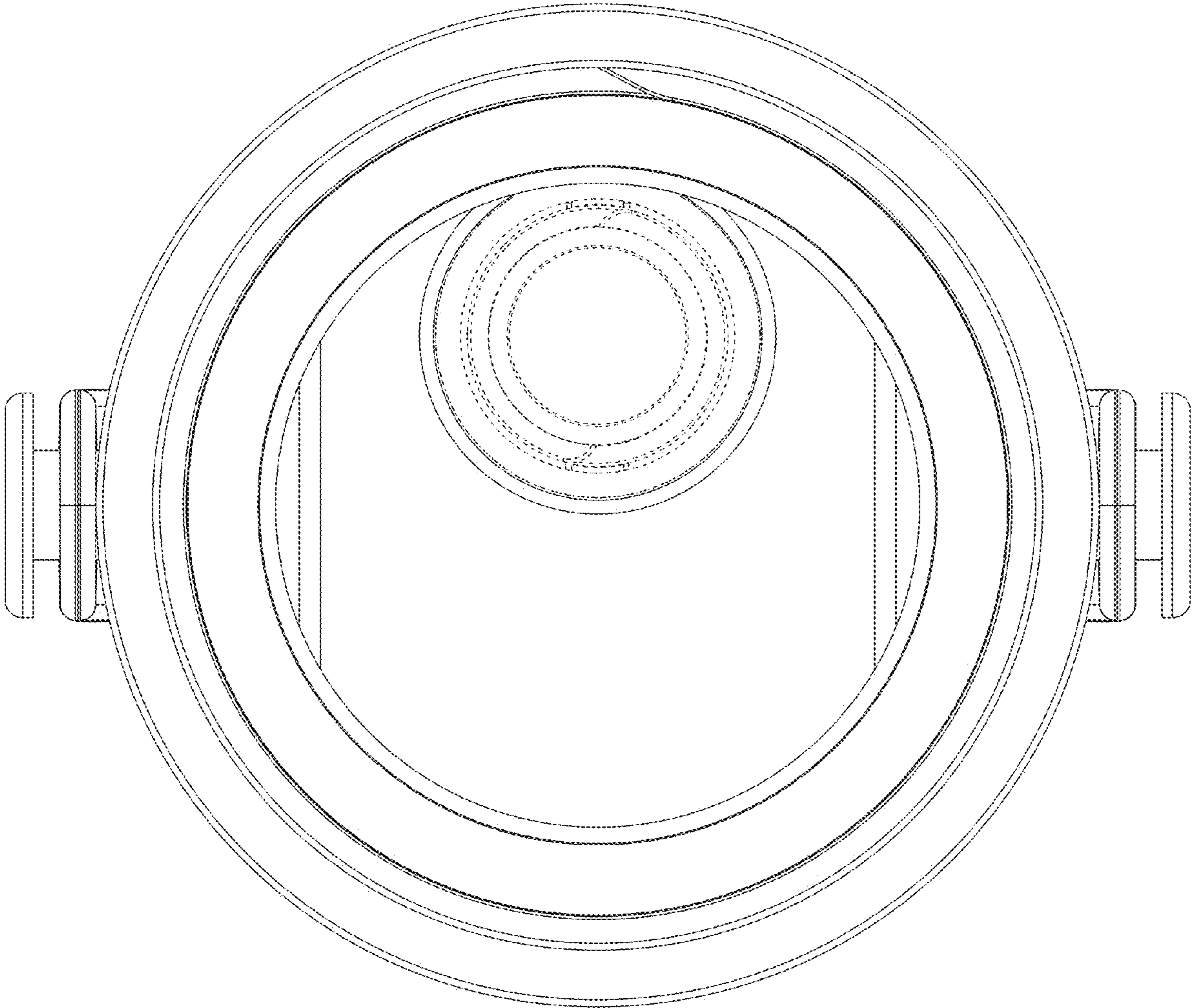


FIG. 9