

US00D969536S

(12) **United States Design Patent**  
**Ye et al.**

(10) **Patent No.:** **US D969,536 S**  
(45) **Date of Patent:** **\*\* Nov. 15, 2022**

(54) **POT COVER STAND**

(71) Applicants: **Shuisheng Ye**, Shenzhen (CN); **Bo Zhang**, Shenzhen (CN)

(72) Inventors: **Shuisheng Ye**, Shenzhen (CN); **Bo Zhang**, Shenzhen (CN)

(\*\*) Term: **15 Years**

(21) Appl. No.: **29/727,922**

(22) Filed: **Mar. 13, 2020**

(51) **LOC (13) Cl.** ..... **07-02**

(52) **U.S. Cl.**  
USPC ..... **D7/391**; D7/412

(58) **Field of Classification Search**  
USPC ..... D7/310, 319, 323, 354-363, 391, 392, D7/392.1, 393-396, 396.2, 401.1, 510, D7/511; D9/435, 440, 447, 449-453, D9/454, 504, 523, 670

CPC .. A47G 19/027; A47G 19/12; A47G 19/2272; A47J 27/00; A47J 27/002; A47J 27/08; A47J 27/13; A47J 27/21; A47J 27/58; A47J 36/025; A47J 36/027; A47J 36/06; A47J 36/12; A47J 37/00; A47J 37/0704; A47J 37/10; A47J 37/101; A47J 37/103; A47J 37/12; A47J 37/1204; A47J 39/02; A47J 45/061; A47J 45/071; A47J 45/08; B65D 41/0407; B65D 17/401; B65D 51/28; H05B 6/12; H05B 6/804; H05B 6/6494; A61J 1/2093; A61J 11/00; B67C 11/02

See application file for complete search history.

(56) **References Cited**

U.S. PATENT DOCUMENTS

1,335,645	A *	3/1920	Benson	.....	A47J 36/06 220/87.1
2,510,196	A *	6/1950	Willette	.....	A47J 37/101 220/373
5,193,524	A *	3/1993	Loyd	.....	A47J 27/58 126/374.1
D480,598	S *	10/2003	Teisen-Simony	.....	D7/391
6,758,131	B1 *	7/2004	Joubert	.....	A47J 37/101 220/573.1
D536,572	S *	2/2007	Molayem	.....	D7/391
9,126,814	B2 *	9/2015	Tarasoff	.....	B67C 11/02

\* cited by examiner

*Primary Examiner* — Ricky Pham

(74) *Attorney, Agent, or Firm* — Husch Blackwell LLP

(57) **CLAIM**

We claim the ornamental design for a pot cover stand, as shown and described.

**DESCRIPTION**

FIG. 1 is a top perspective view of a pot cover stand showing the new design;  
FIG. 2 is a left side elevation view thereof, the right side elevation view being a mirror image thereof;  
FIG. 3 is a bottom plan view thereof;  
FIG. 4 is a rear elevation view thereof;  
FIG. 5 is a front elevation thereof;  
FIG. 6 is a top plan view thereof;  
FIG. 7 is a cross-sectional view thereof taken along the line 7-7 in FIG. 6; and,  
FIG. 8 is a bottom perspective view thereof.

**1 Claim, 4 Drawing Sheets**

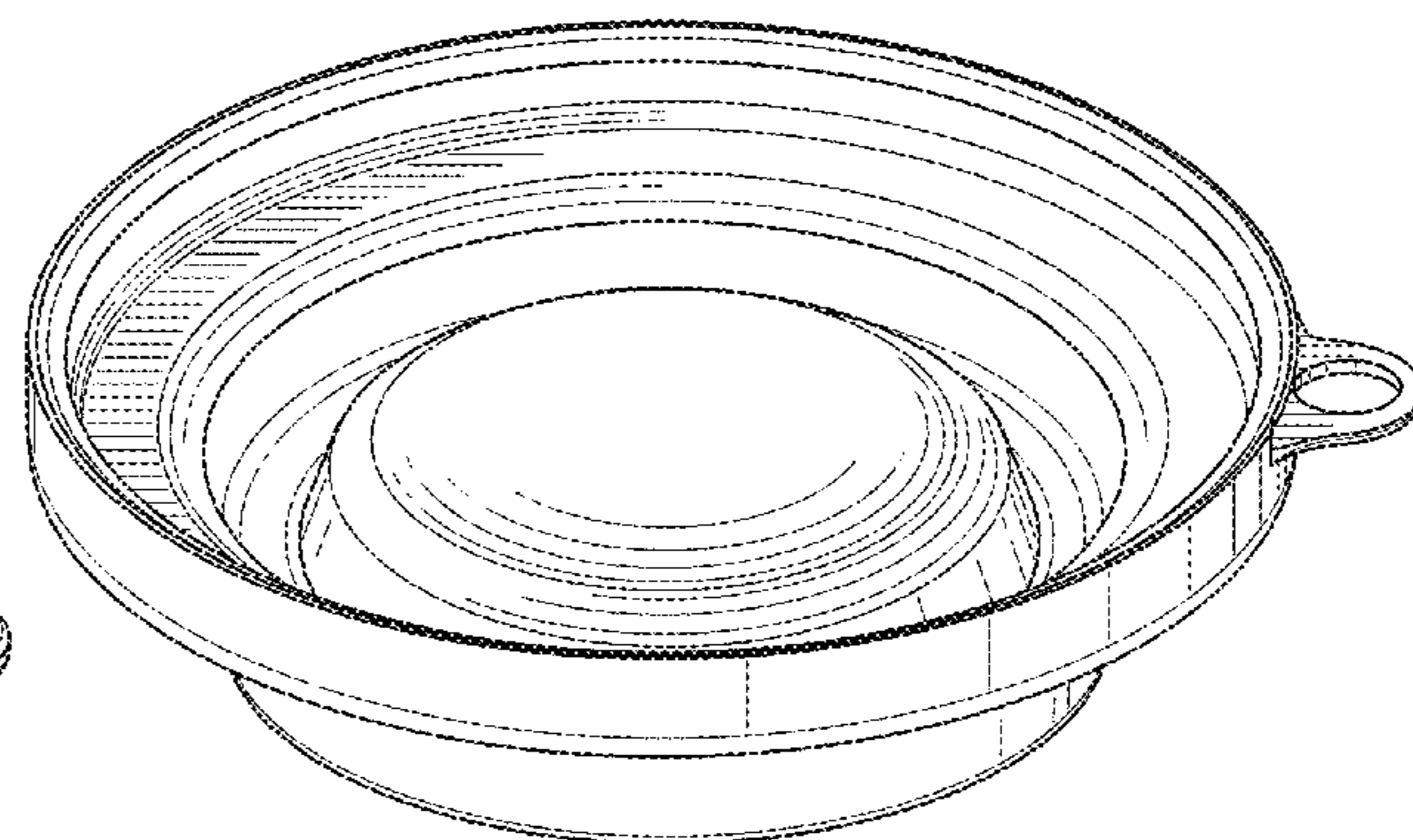
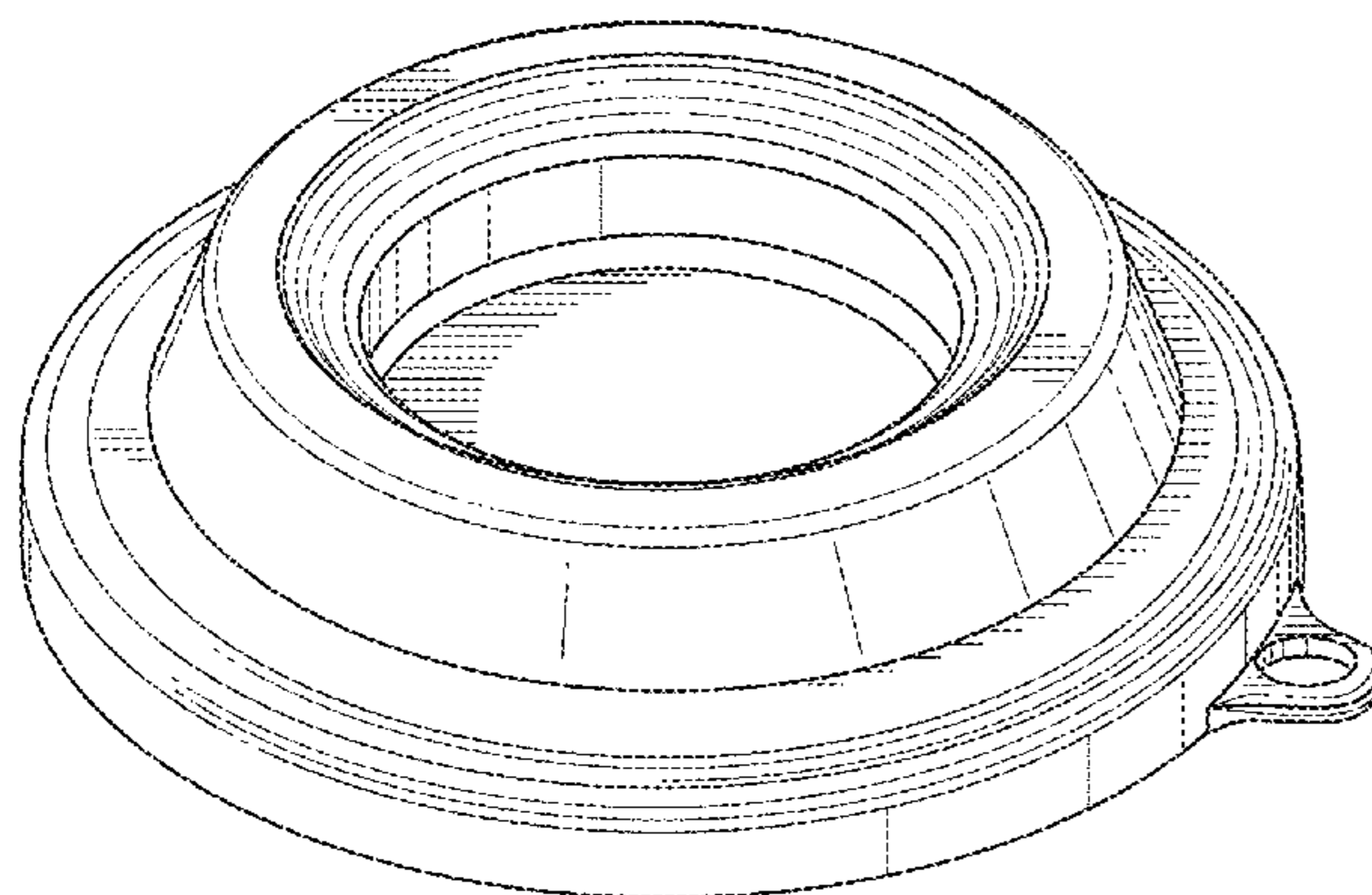


FIG. 1

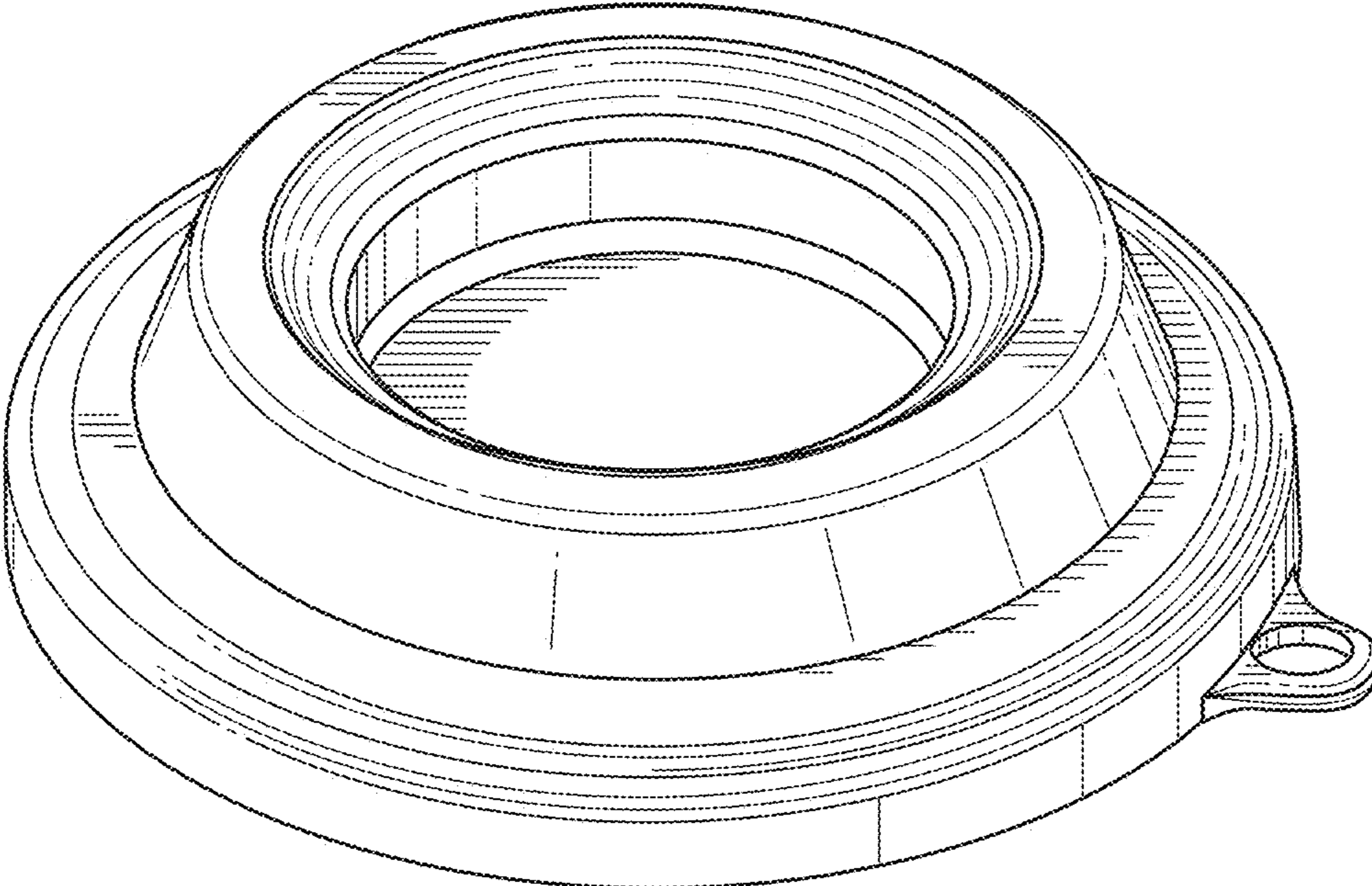


FIG. 2

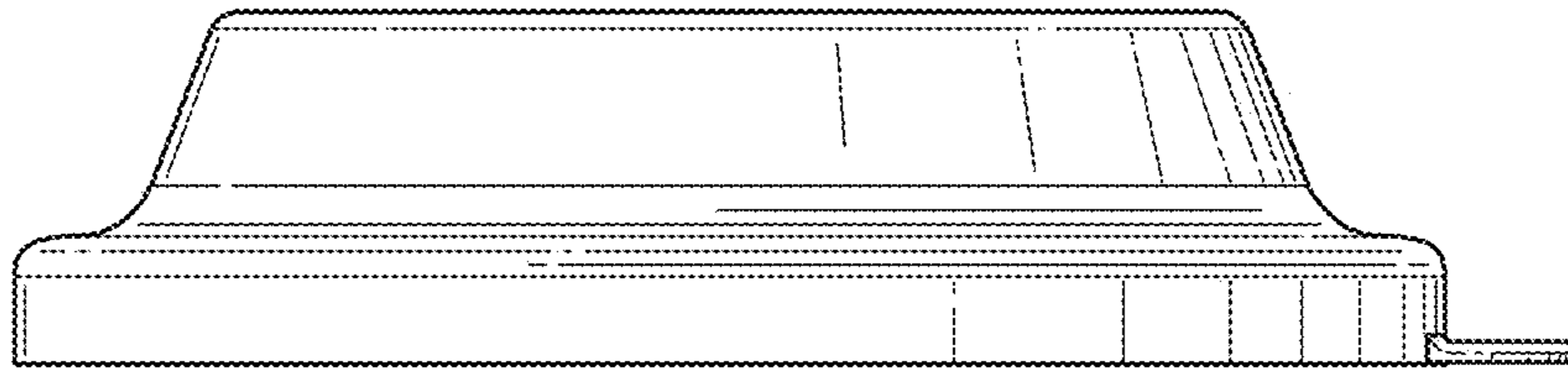


FIG. 3

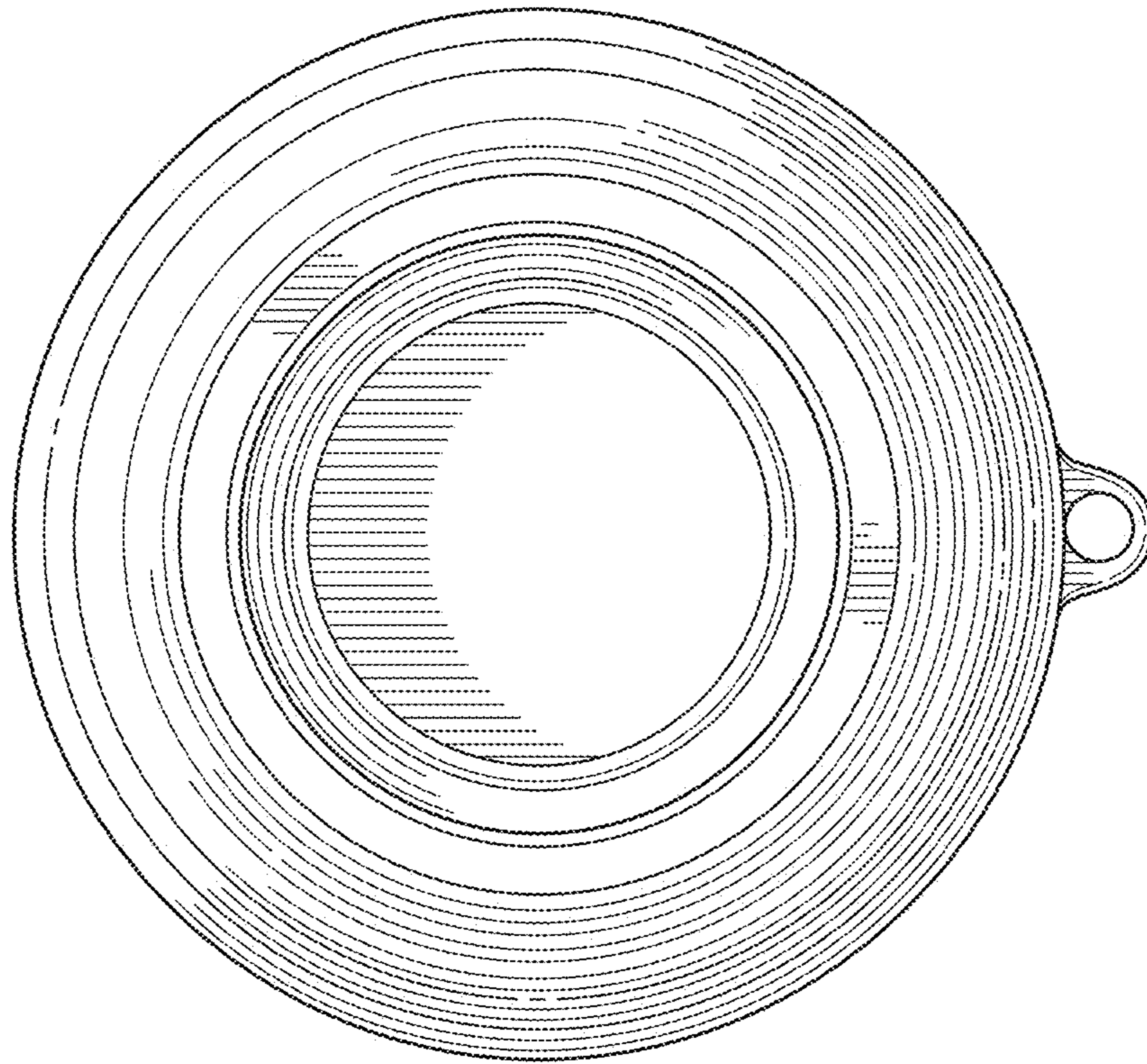


FIG. 4

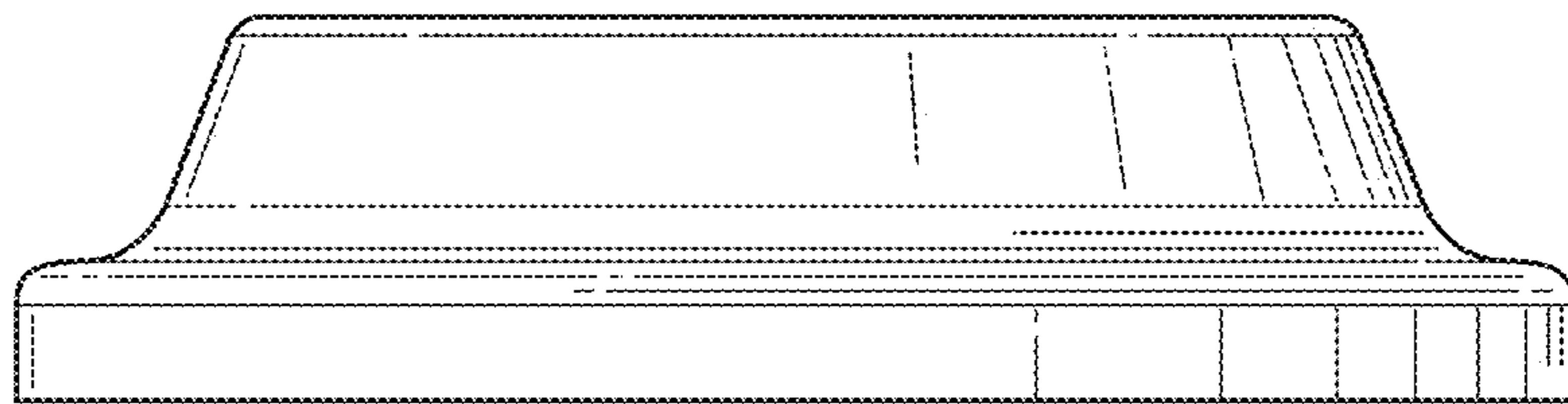


FIG. 5

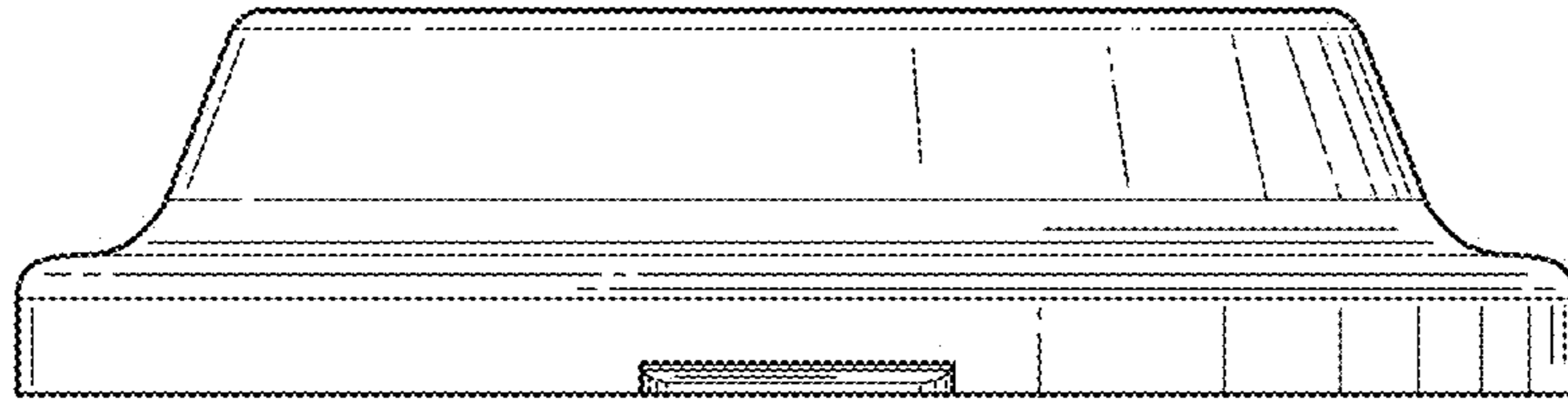


FIG. 6

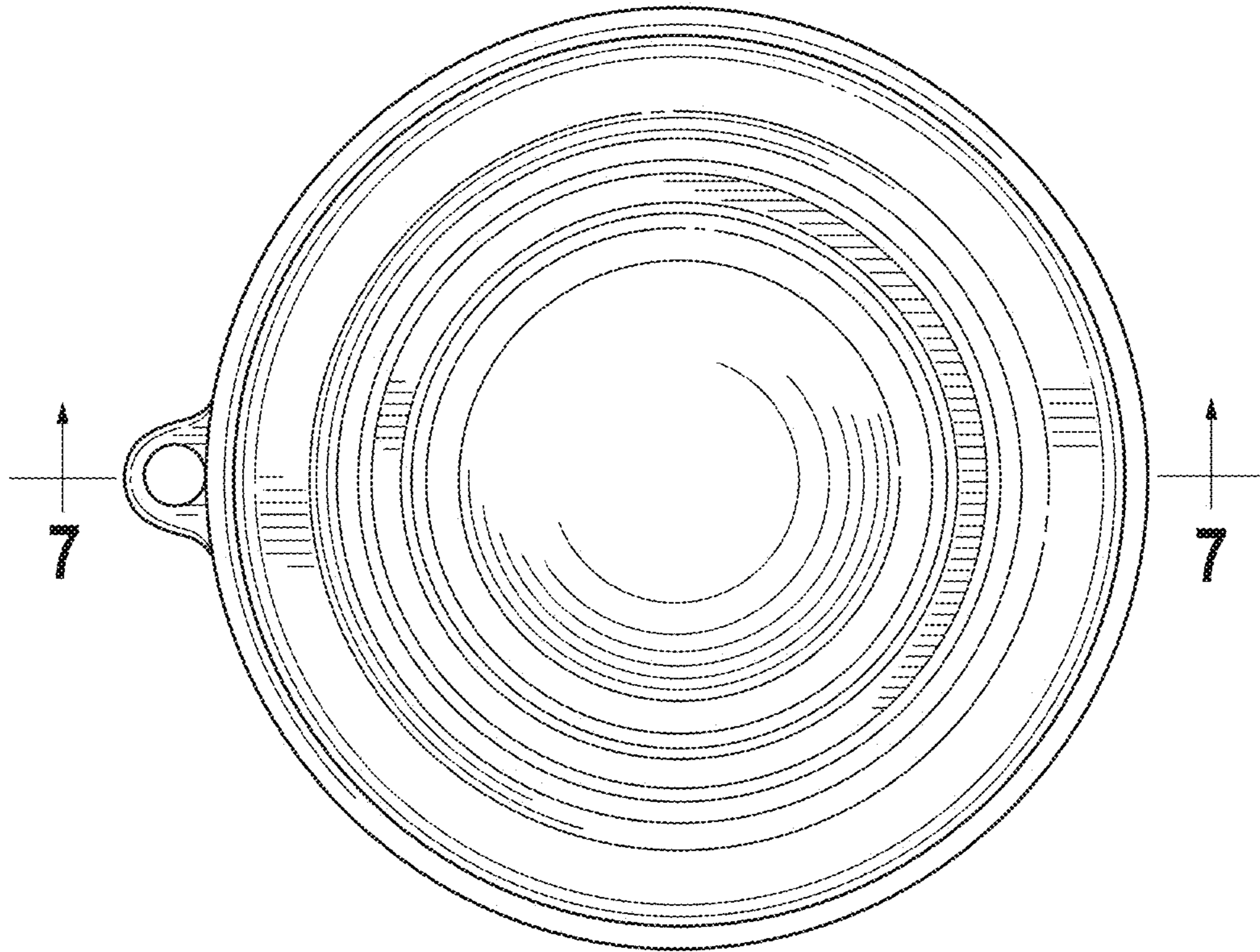


FIG. 7

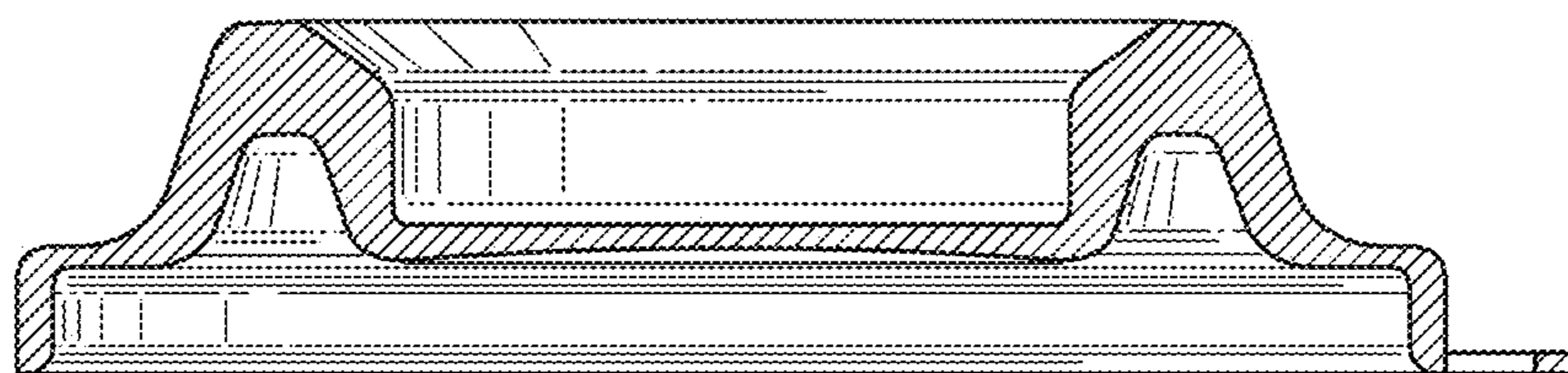


FIG. 8

