

US00D969535S

(12) **United States Design Patent** (10) **Patent No.:** **US D969,535 S**
Tu (45) **Date of Patent:** **** Nov. 15, 2022**

(54) **BLENDER BASE**

(56) **References Cited**

(71) Applicant: **SHARKNINJA OPERATING LLC**,
Needham, MA (US)

U.S. PATENT DOCUMENTS

(72) Inventor: **Joyce Chien Tu**, Melrose, MA (US)

D187,684 S 4/1960 Hauser
D200,494 S * 3/1965 Bezark, Jr. D7/378
D232,297 S 8/1974 Mantelet
D336,590 S 6/1993 Barnard
D525,080 S 7/2006 Katz et al.
D621,656 S 8/2010 Ulanski et al.
D625,141 S 10/2010 Moore
D638,256 S 5/2011 Wu

(73) Assignee: **SHARKNINJA OPERATING LLC**,
Needham, MA (US)

(Continued)

(**) Term: **15 Years**

(21) Appl. No.: **29/824,701**

OTHER PUBLICATIONS

(22) Filed: **Jan. 26, 2022**

U.S. Appl. No. 29/766,277, filed Jan. 14, 2021; Restriction Require-
ment dated Mar. 16, 2021; 7 pages.

Related U.S. Application Data

Primary Examiner — Ricky Pham

(63) Continuation of application No. 29/766,283, filed on
Jan. 14, 2021, now abandoned, which is a
continuation of application No. 29/743,230, filed on
Jul. 20, 2020, now Pat. No. Des. 938,220.

(74) *Attorney, Agent, or Firm* — Burns & Levinson, LLP;
Joseph M. Maraia

(51) **LOC (13) Cl.** **31-00**

(57) **CLAIM**

(52) **U.S. Cl.**

The ornamental design for a blender base, as shown and
described.

USPC **D7/386**; D7/376; D7/378; D7/412;
D7/413

DESCRIPTION

(58) **Field of Classification Search**

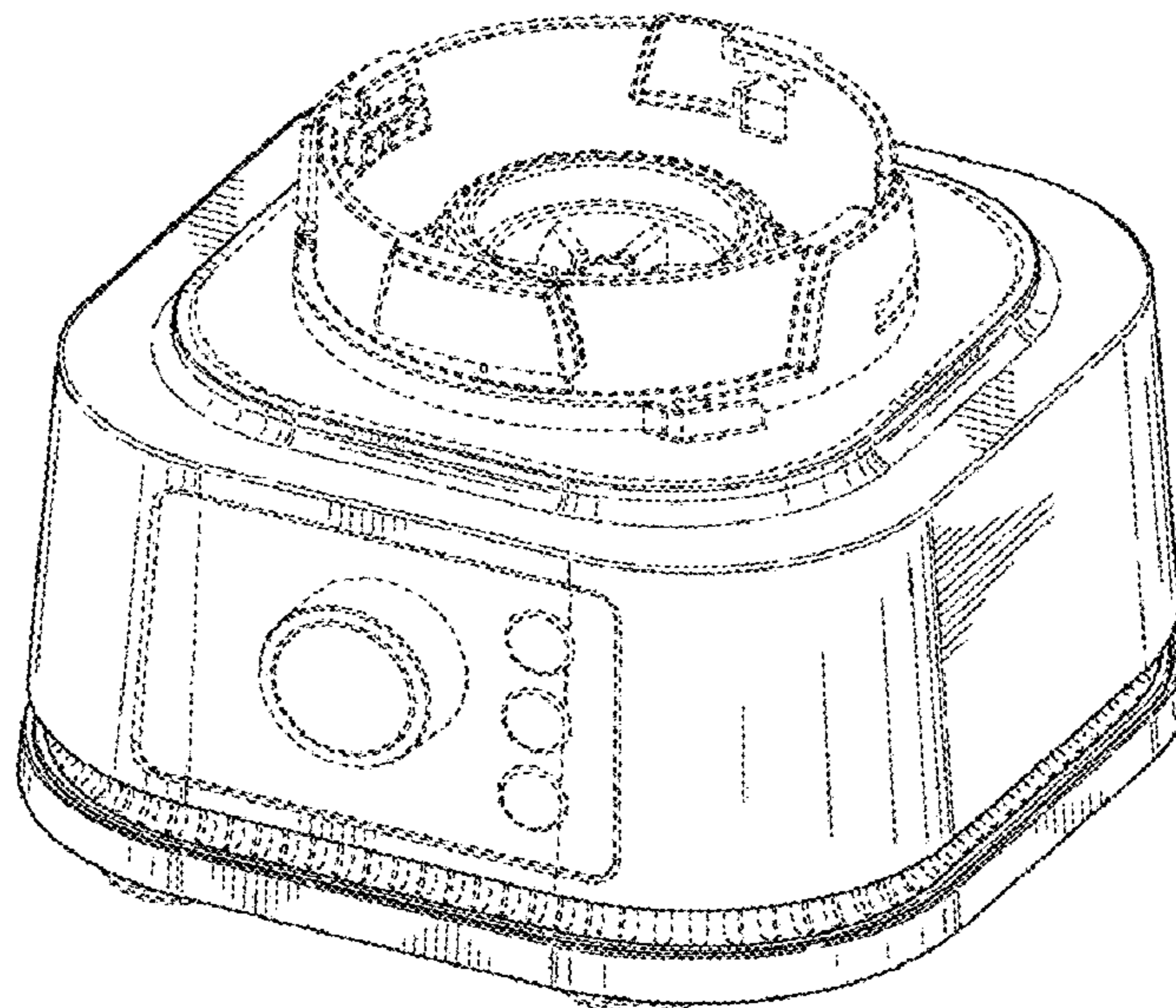
USPC D7/372, 376–386, 412–413, 602, 629,
D7/665–666, 669, 679, 693–694
CPC A21C 1/02; A21C 1/04; A23N 1/00; A23N
1/02; A47J 43/04; A47J 43/25; A47J
43/27; A47J 43/28; A47J 43/042; A47J
43/044; A47J 43/046; A47J 43/075; A47J
43/0716; A47J 43/0722; A47J 43/0727;
B01F 3/00; B01F 3/0807; B01F 3/0853;
B01F 13/0059; B01F 13/0064; B02C
1/08; B02C 2/04; B02C 4/42; B02C
4/142; B02C 4/143; B02C 4/423; B02C
13/1835; B28C 5/10; B28C 5/12; B28C
5/14; B28C 5/16

FIG. 1 is a perspective view of a blender base showing my
new design;
FIG. 2 is a front view of the embodiment shown in FIG. 1;
FIG. 3 is a rear view of the embodiment shown in FIG. 1;
FIG. 4 is a side view of the embodiment shown in FIG. 1;
FIG. 5 is another side view of the embodiment shown in
FIG. 1;
FIG. 6 is a top view of the embodiment shown in FIG. 1;
and,
FIG. 7 is a bottom view of the embodiment shown in FIG.
1.

The broken lines in the drawings are for environmental
purposes only and form no part of the claimed design.

See application file for complete search history.

1 Claim, 5 Drawing Sheets



(56)

References Cited

U.S. PATENT DOCUMENTS

D642,858 S	8/2011	Lazzer	
D647,367 S	10/2011	Audette et al.	
D678,726 S	3/2013	Palermo et al.	
D690,152 S	9/2013	Palermo et al.	
D705,606 S	5/2014	Coakley et al.	
D711,682 S	8/2014	Norland et al.	
D730,683 S	6/2015	Tu	
D747,135 S *	1/2016	Ha	D7/378
D769,061 S	10/2016	Diderotto	
D783,340 S	4/2017	Palermo et al.	
D784,761 S	4/2017	Tu	
D794,381 S *	8/2017	McConnell	D7/378
D807,700 S	1/2018	Tu	
D808,719 S	1/2018	Coakley	
D811,167 S	2/2018	Smith	
D815,887 S	4/2018	Huang et al.	
D833,814 S	11/2018	Smith	
D839,670 S	2/2019	Youngmann	
D844,372 S *	4/2019	DeLeo	D7/378
D844,373 S *	4/2019	DeLeo	D7/378
D844,374 S	4/2019	McConnell et al.	
D846,338 S	4/2019	Smith et al.	
D846,339 S	4/2019	Smith	
D852,574 S *	7/2019	McConnell	D7/378
D857,441 S	8/2019	Ou	
10,455,985 B2	10/2019	Lee	
D874,869 S *	2/2020	McConnell	D7/378
D880,239 S	4/2020	McConnell et al.	
D881,637 S *	4/2020	Ye	D7/378
D886,513 S *	6/2020	Steiner	D7/378
D905,493 S	12/2020	Ye	
D905,504 S	12/2020	Upston	
D920,045 S	5/2021	McConnell et al.	
D925,270 S	7/2021	Bannister et al.	
D925,271 S	7/2021	Palladino et al.	
D925,284 S	7/2021	Bannister et al.	
D932,835 S	10/2021	Tu	
D937,624 S *	12/2021	Tu	D7/378
D938,220 S *	12/2021	Tu	D7/378
2017/0341253 A1	11/2017	Arriens et al.	

* cited by examiner

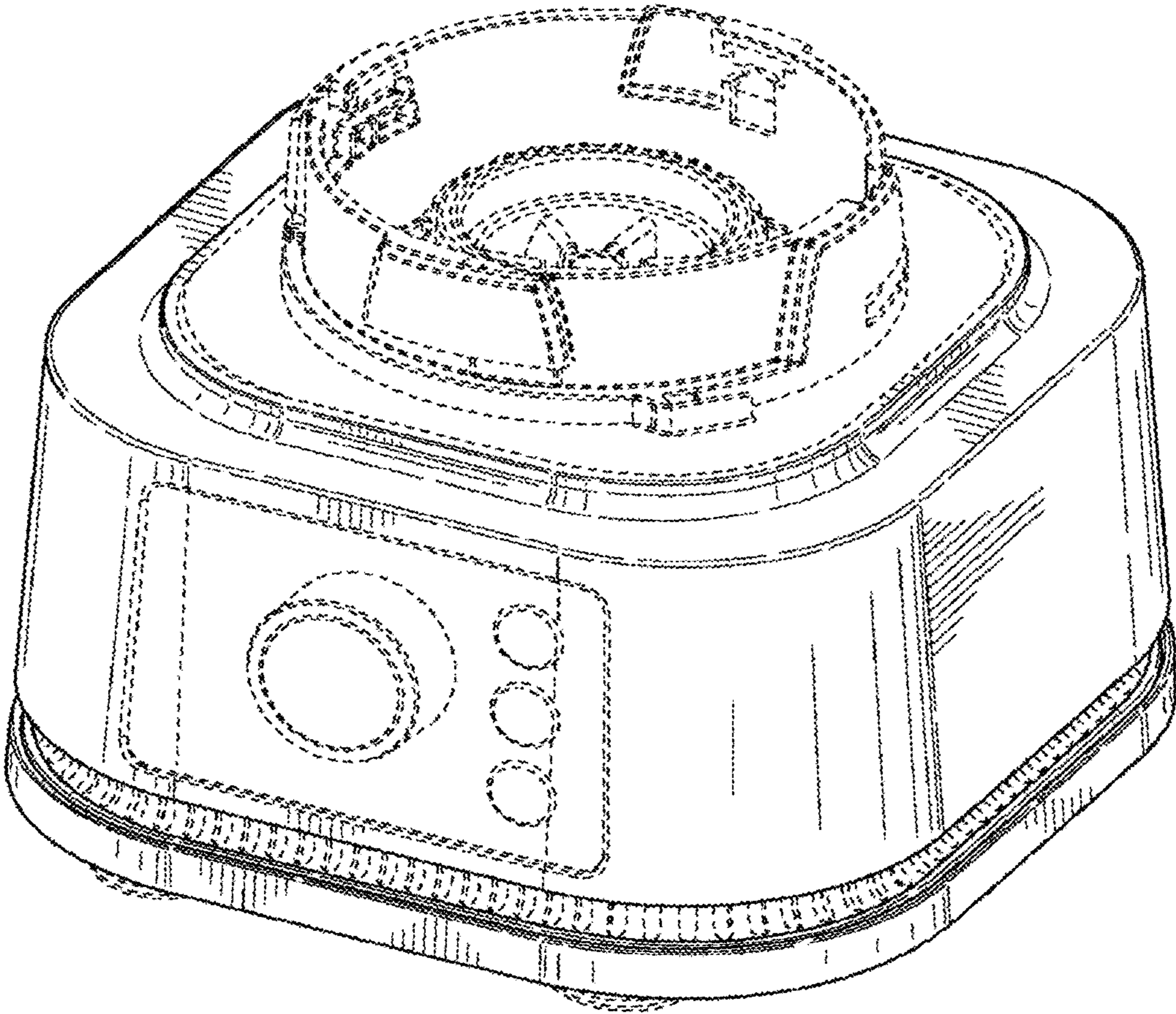


FIG. 1

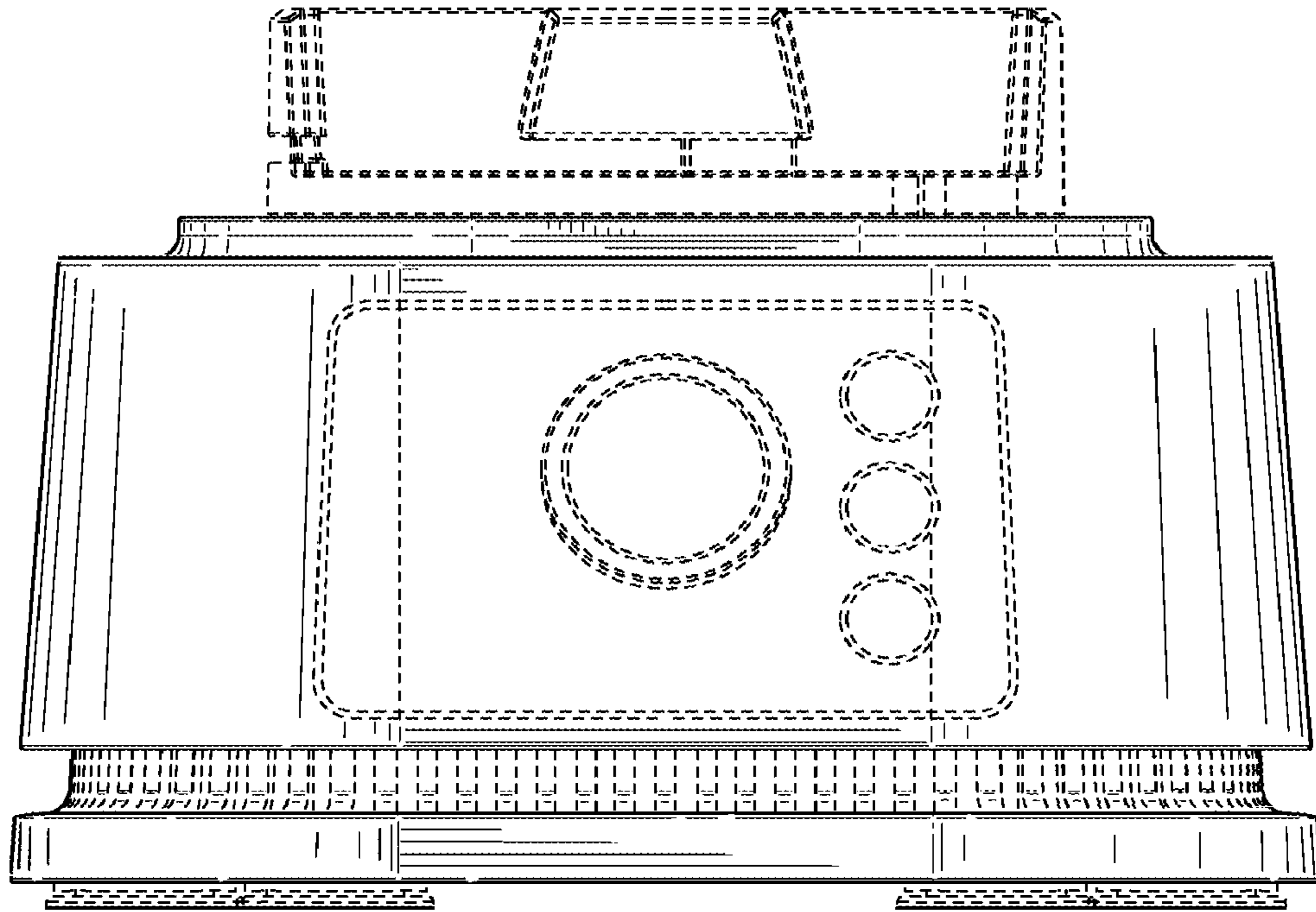


FIG. 2

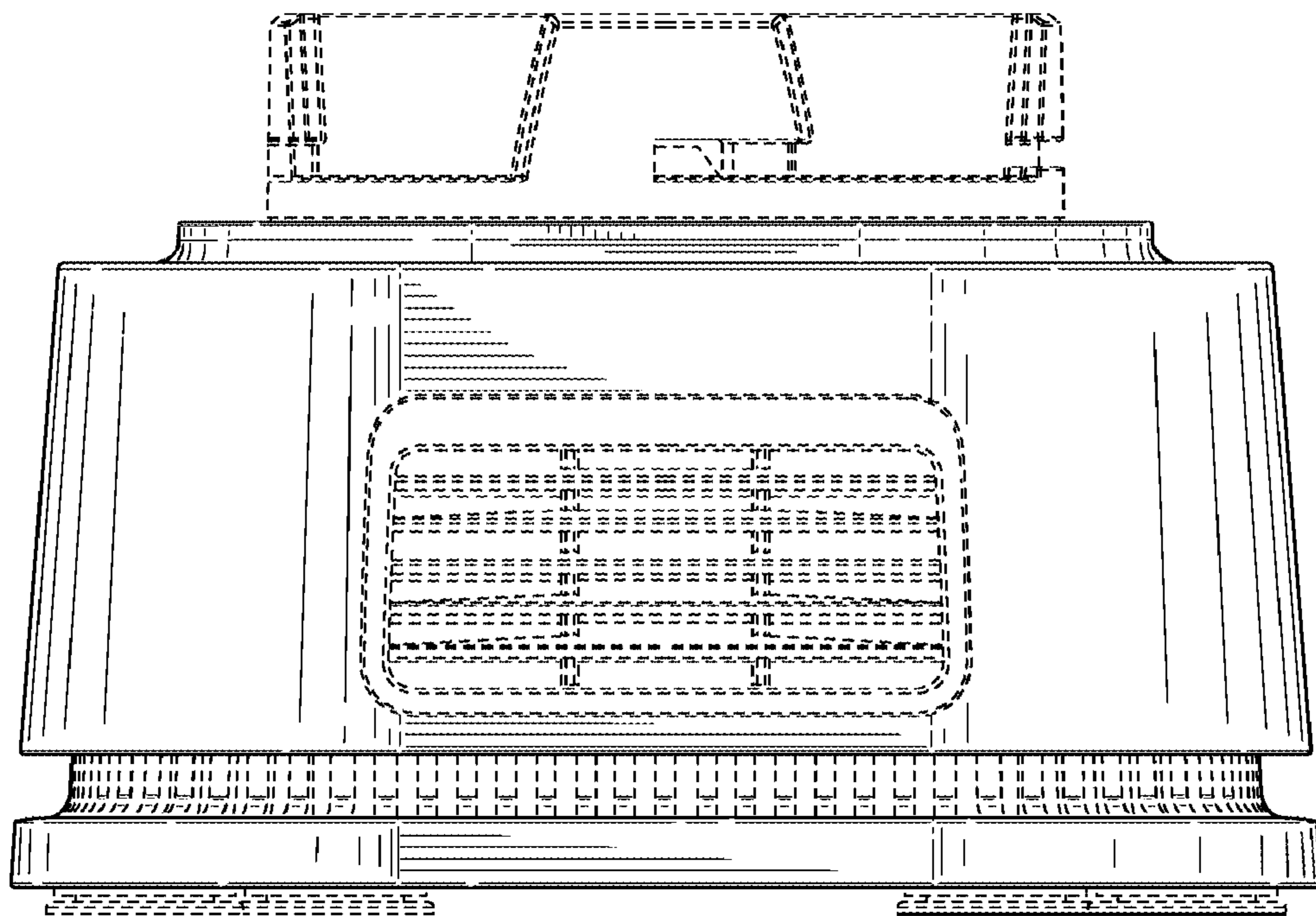


FIG. 3

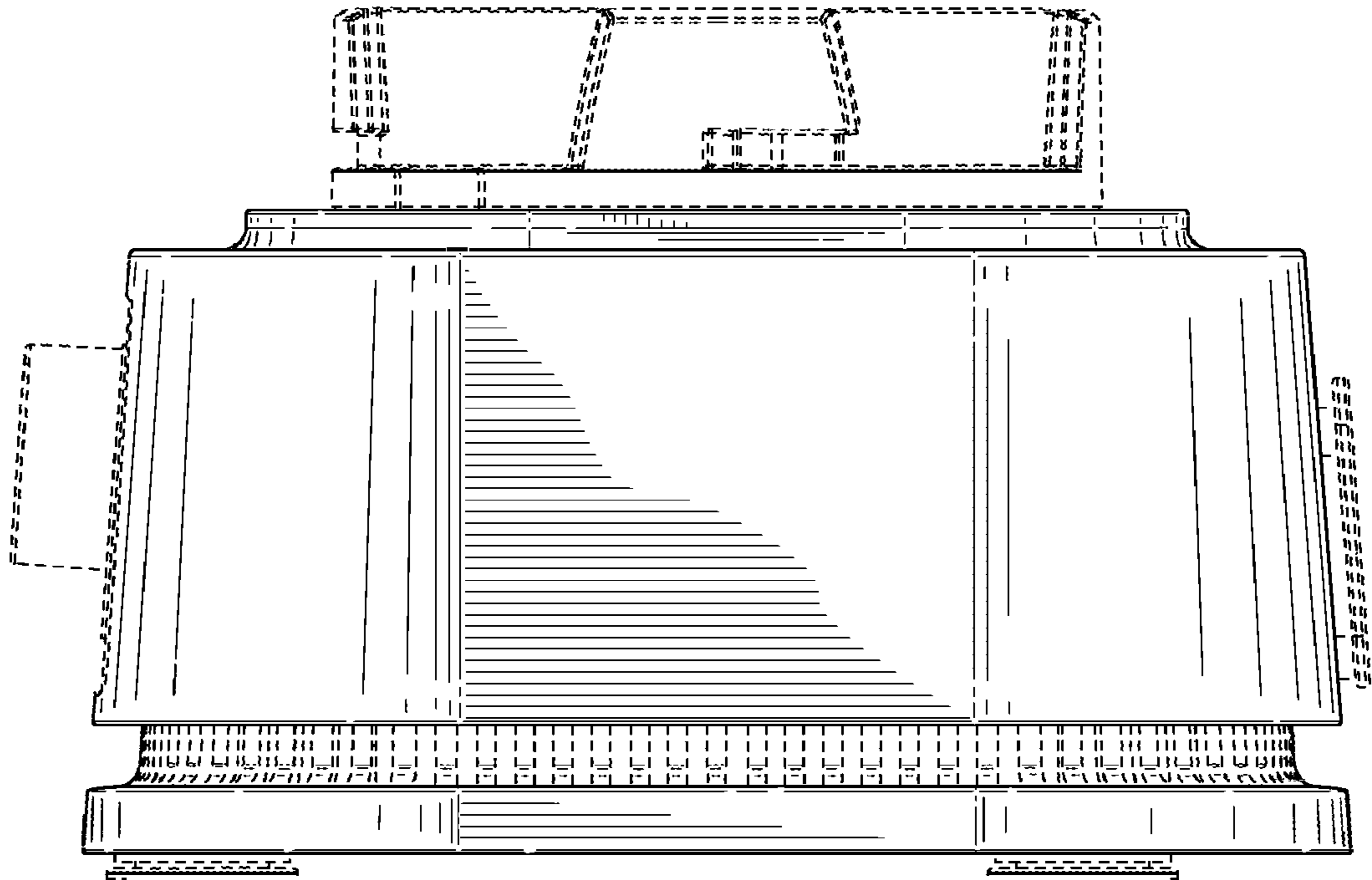


FIG. 4

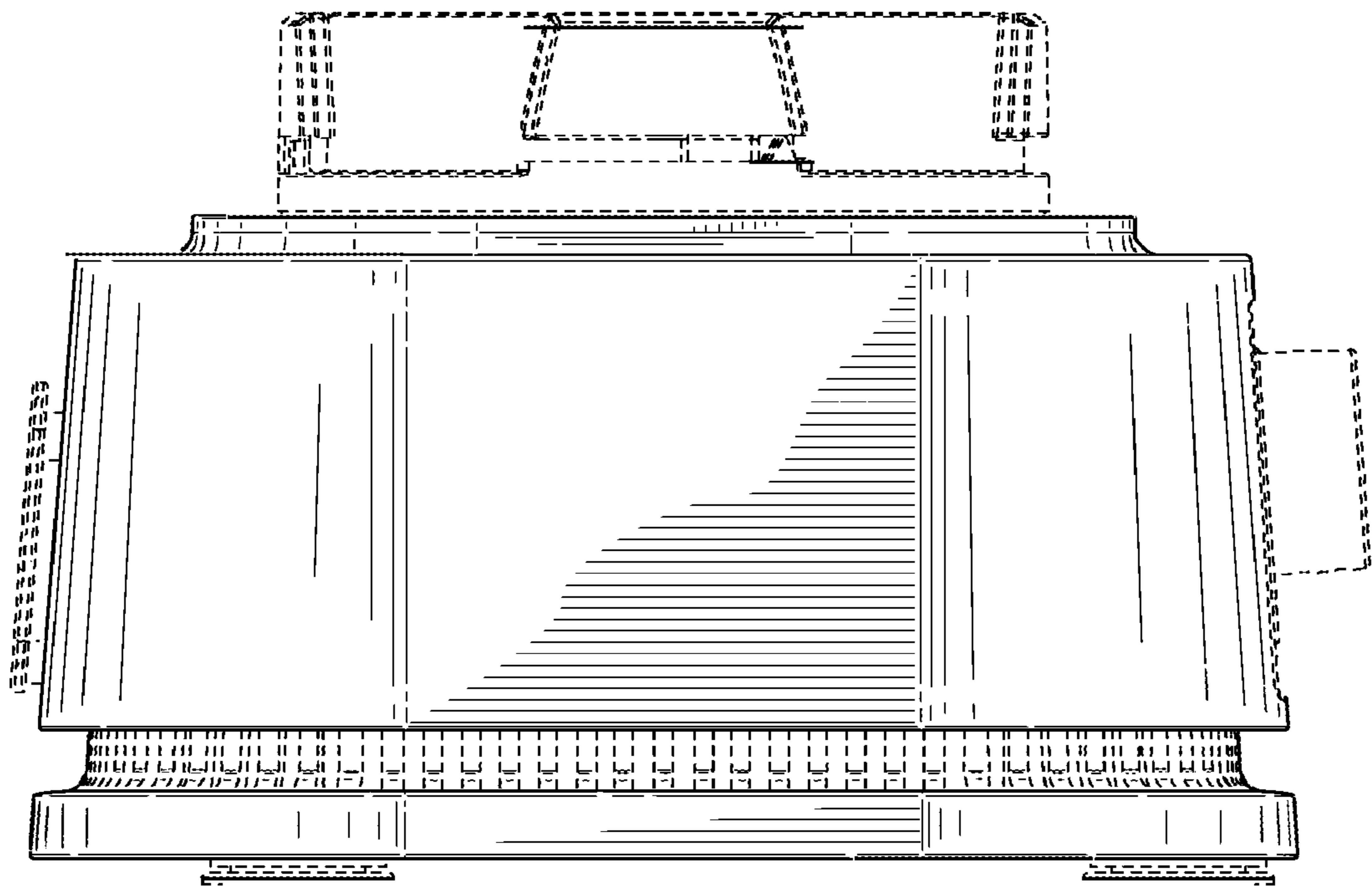


FIG. 5

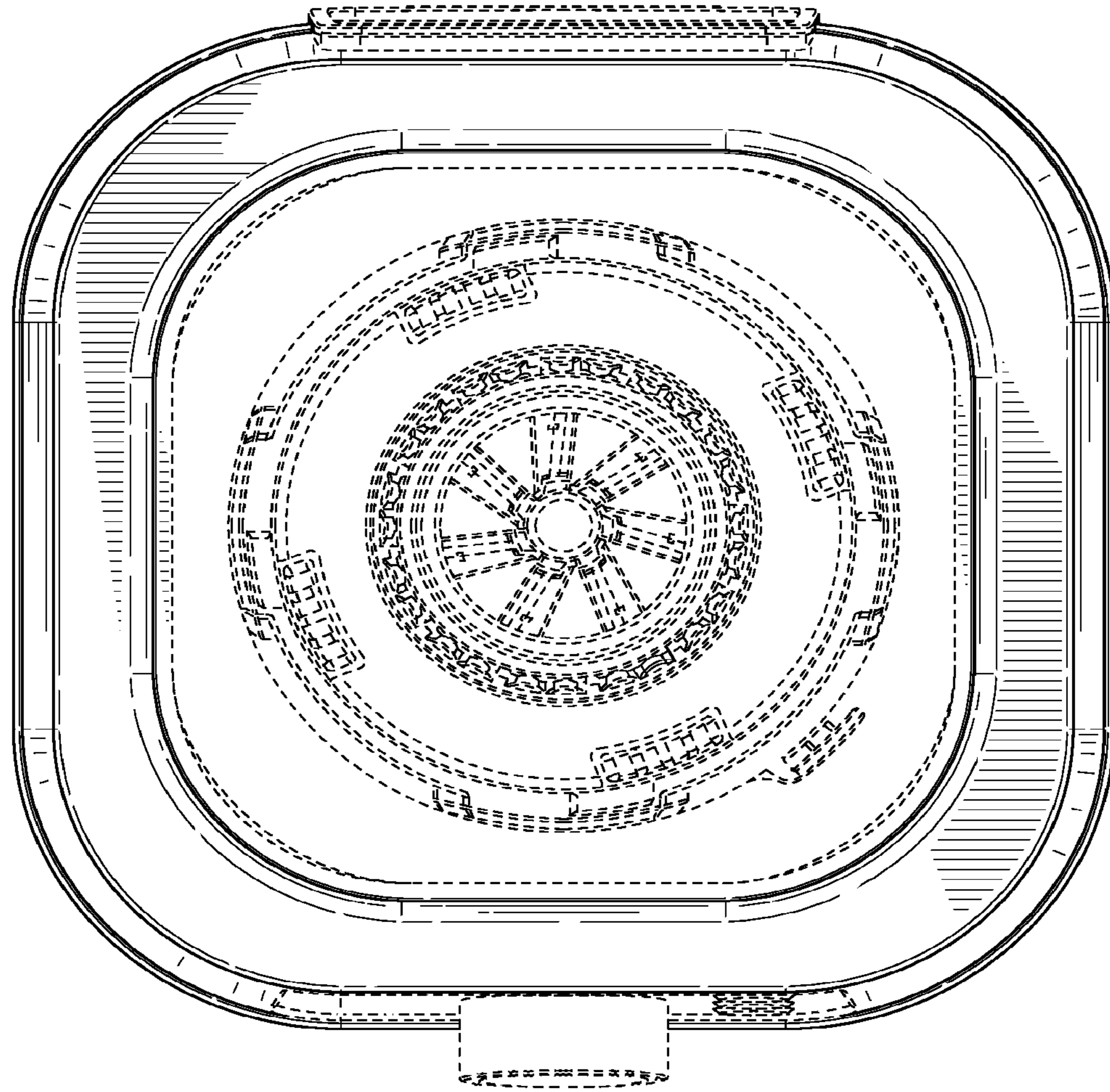


FIG. 6

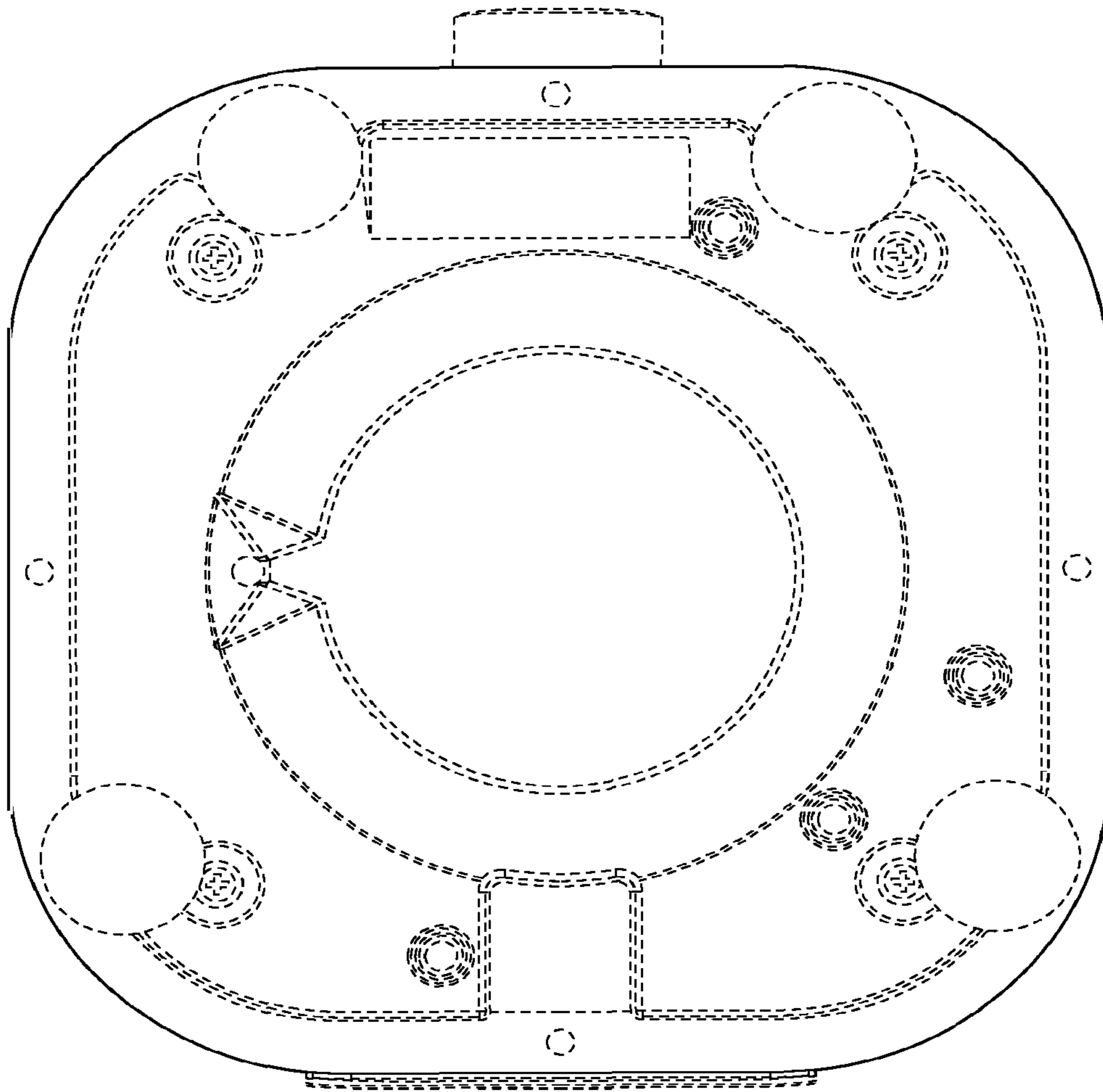


FIG. 7