

US00D969534S

(12) **United States Design Patent** (10) **Patent No.:** **US D969,534 S**  
**Ou** (45) **Date of Patent:** **\*\* Nov. 15, 2022**

(54) **STAND AND BOWL SET FOR MIXER**

4/423; B02C 13/1835; B28C 5/10; B28C 5/12; B28C 5/14; B28C 5/16; A23N 1/02

(71) Applicant: **KONINKLIJKE PHILIPS N.V.**,  
Eindhoven (NL)

See application file for complete search history.

(72) Inventor: **Qingxiang Ou**, Eindhoven (NL)

(56) **References Cited**

(73) Assignee: **KONINKLIJKE PHILIPS N.V.**,  
Eindhoven (NL)

U.S. PATENT DOCUMENTS

(\*\*) Term: **15 Years**

(21) Appl. No.: **29/667,402**

(22) Filed: **Oct. 22, 2018**

D530,146	S	*	10/2006	Ball	.....	D7/379
D633,334	S	*	3/2011	Kaiser	.....	D7/376
8,985,839	B2	*	3/2015	Seidler	.....	A47J 36/06
						366/146
D748,428	S	*	2/2016	Yuan	.....	D7/376
D758,125	S	*	6/2016	Jeong	.....	D7/376
9,585,520	B2	*	3/2017	Liu	.....	A47J 43/0705
9,925,506	B2	*	3/2018	Lutz	.....	B01F 15/00779
D825,256	S	*	8/2018	Vu	.....	D7/379
D851,442	S	*	6/2019	Saubert	.....	D7/379
D851,443	S	*	6/2019	Saubert	.....	D7/379
D853,780	S	*	7/2019	Hua	.....	D7/376
D868,531	S	*	12/2019	Wong	.....	D7/379
2005/0058018	A1	*	3/2005	Hooper	.....	A47J 43/044
						366/197

**Related U.S. Application Data**

(62) Division of application No. 35/501,592, filed on Mar. 20, 2016 (U.S. filing date under 35 U.S.C. 384), and having an international filing date of Mar. 20, 2016, now Pat. No. Des. 832,639.

\* cited by examiner

*Primary Examiner* — Jennifer L Rempfer

(30) **Foreign Application Priority Data**

Sep. 29, 2015 (EM) ..... 002802306-0001

(51) **LOC (13) Cl.** ..... **31-00**

(52) **U.S. Cl.**  
USPC ..... **D7/379**

(58) **Field of Classification Search**  
USPC ..... D7/372, 376–386, 412–413, 602, 629,  
D7/665–666, 669, 679

CPC ..... A47J 43/27; A47J 43/042; A47J 43/044;  
A47J 43/046; A47J 43/075; A47J  
43/0722; A47J 43/0727; A47J 43/04;  
A47J 43/25; B01F 3/00; B01F 3/0807;  
B01F 3/0853; B01F 13/0059; B01F  
13/0064; B02C 1/08; B02C 2/04; B02C  
4/42; B02C 4/142; B02C 4/143; B02C

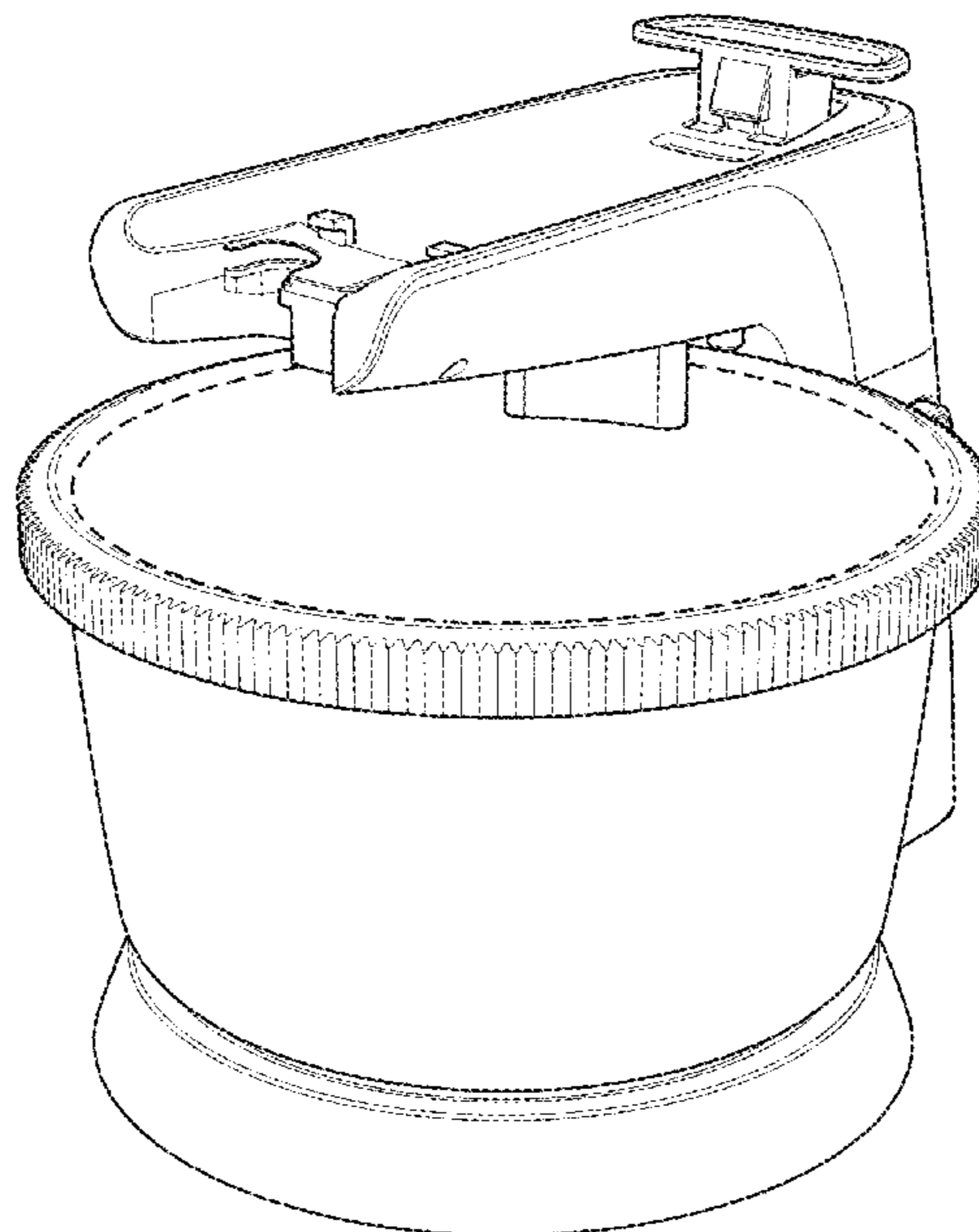
(57) **CLAIM**

The ornamental design for a stand and bowl set for mixer, as shown.

**DESCRIPTION**

FIG. 1 is a perspective view showing my design; FIG. 2 is a front elevational view thereof; FIG. 3 is a rear elevational view thereof; FIG. 4 is a right side elevational view thereof; FIG. 5 is a left side elevational view thereof; FIG. 6 is a top plan view thereof; and, FIG. 7 is a bottom plan view thereof. The broken lines illustrate portions of the stand and bowl set for mixer that form no part of the claimed design.

**1 Claim, 5 Drawing Sheets**



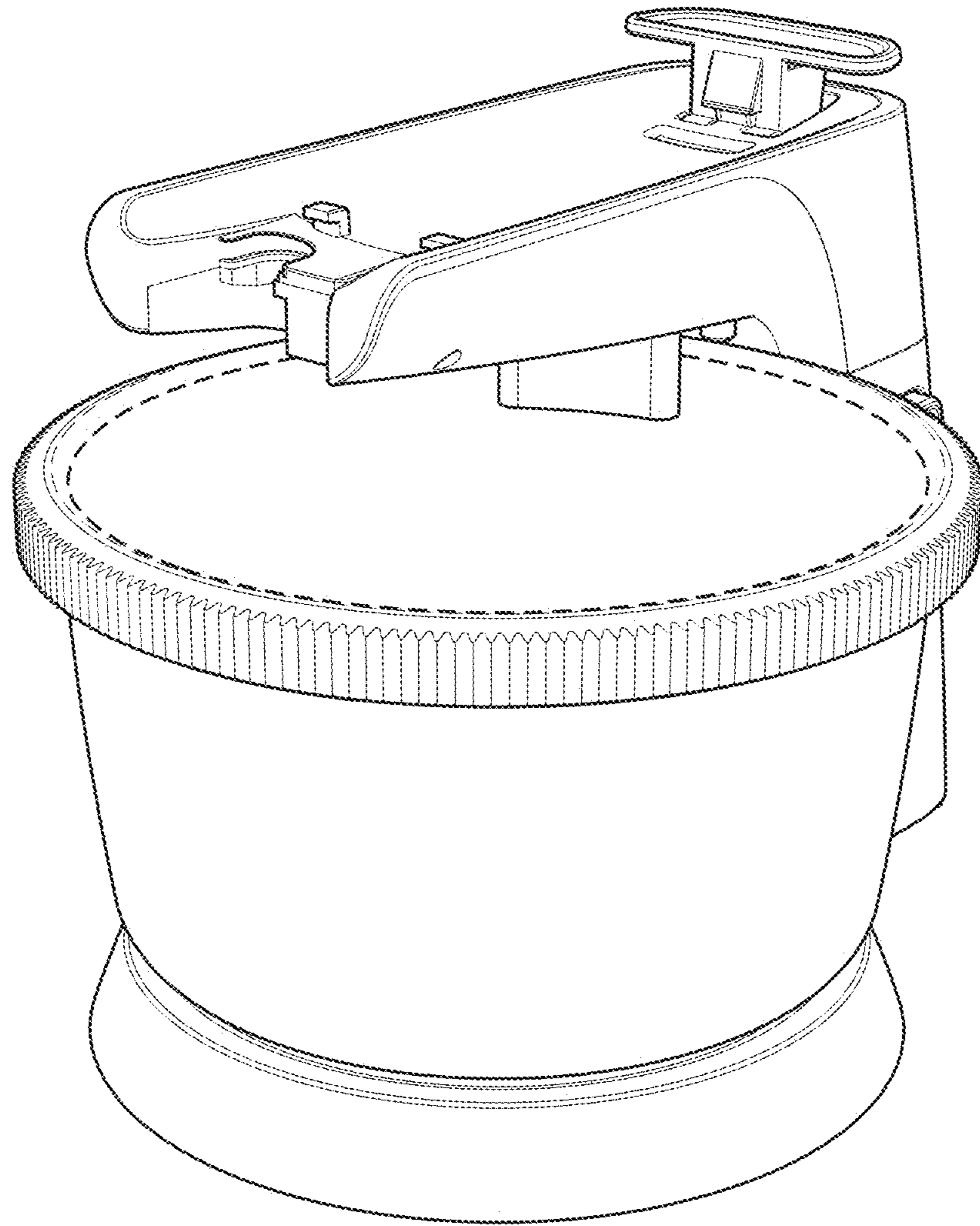


FIG. 1

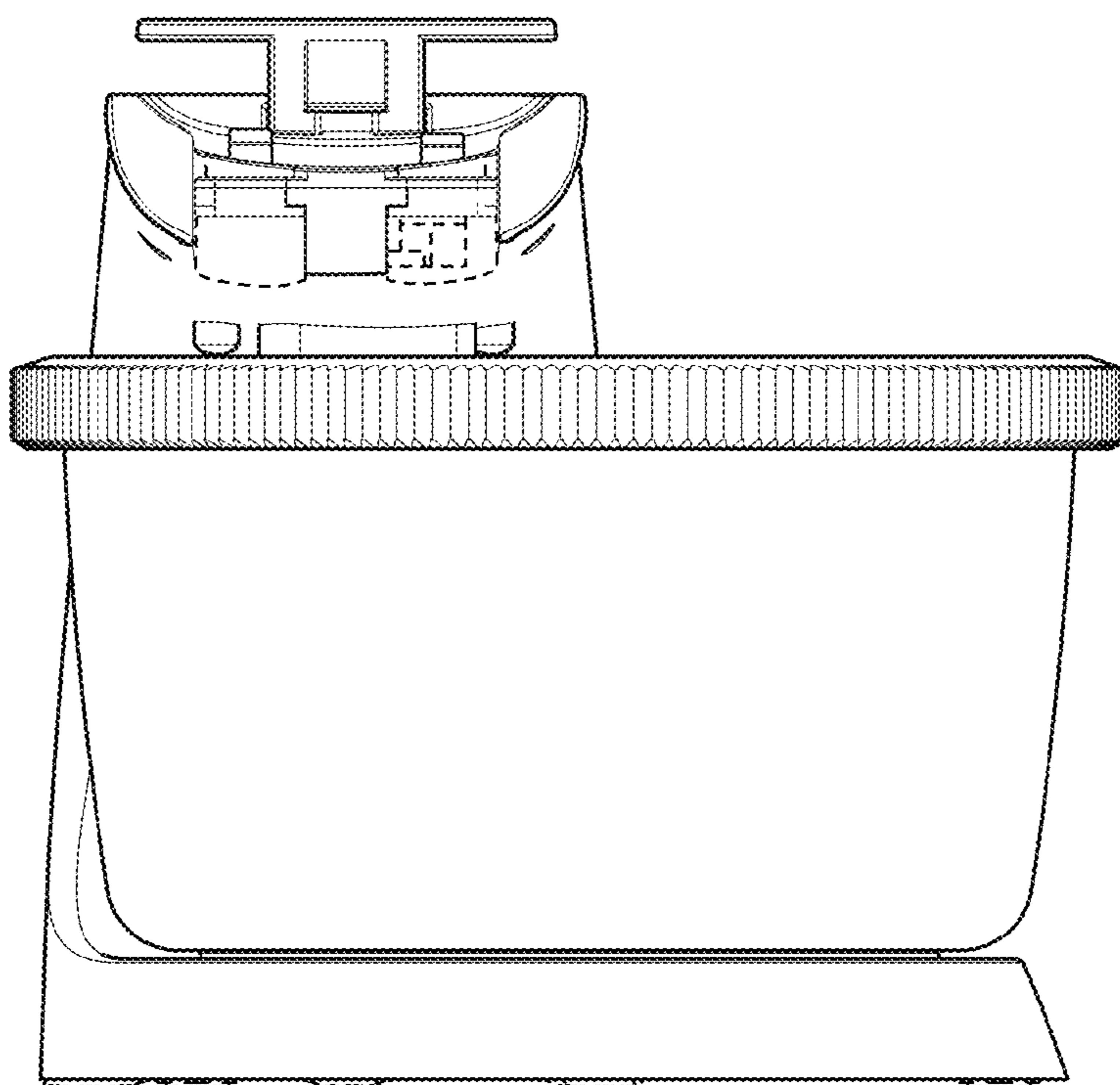


FIG. 2

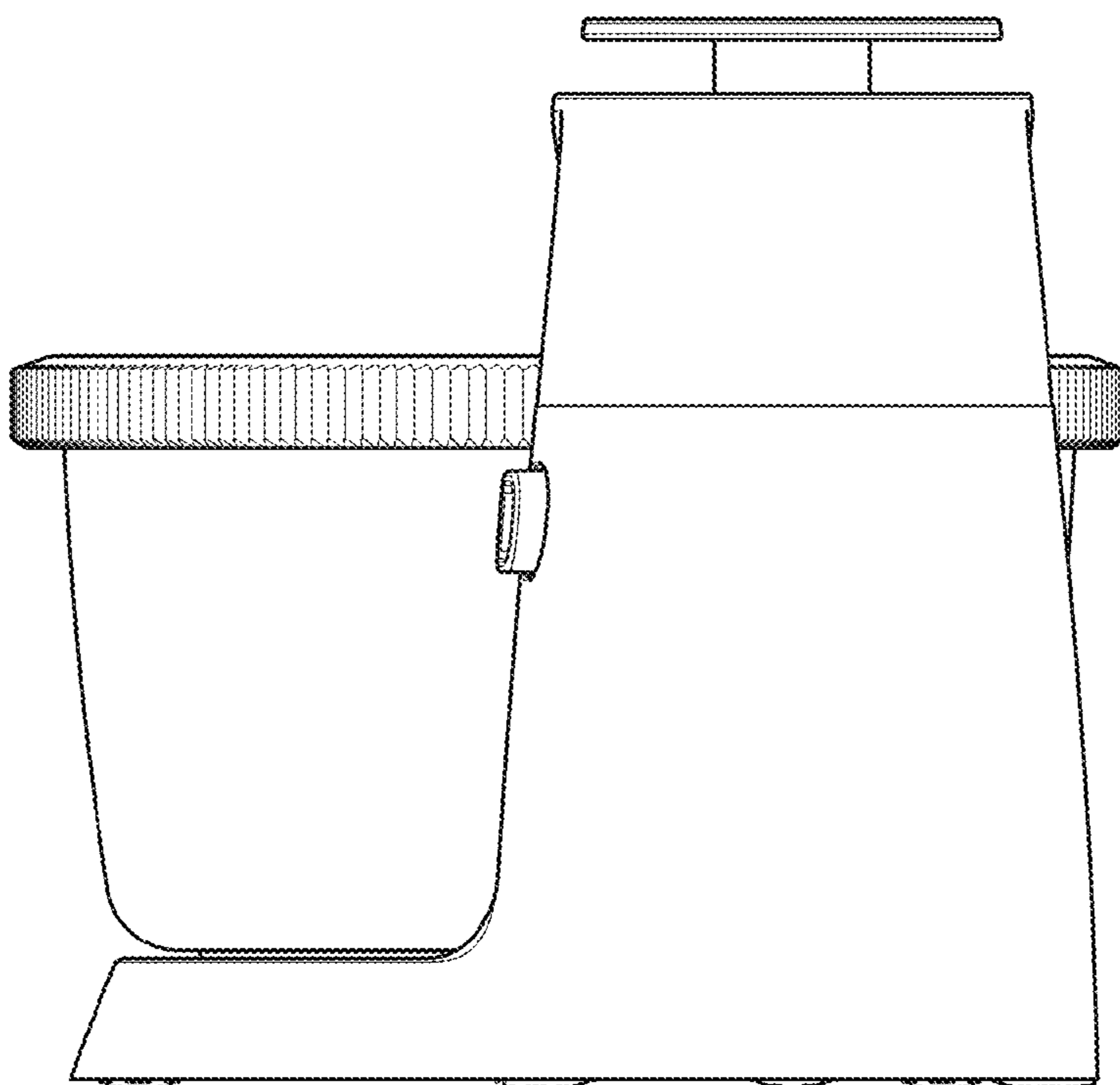


FIG. 3

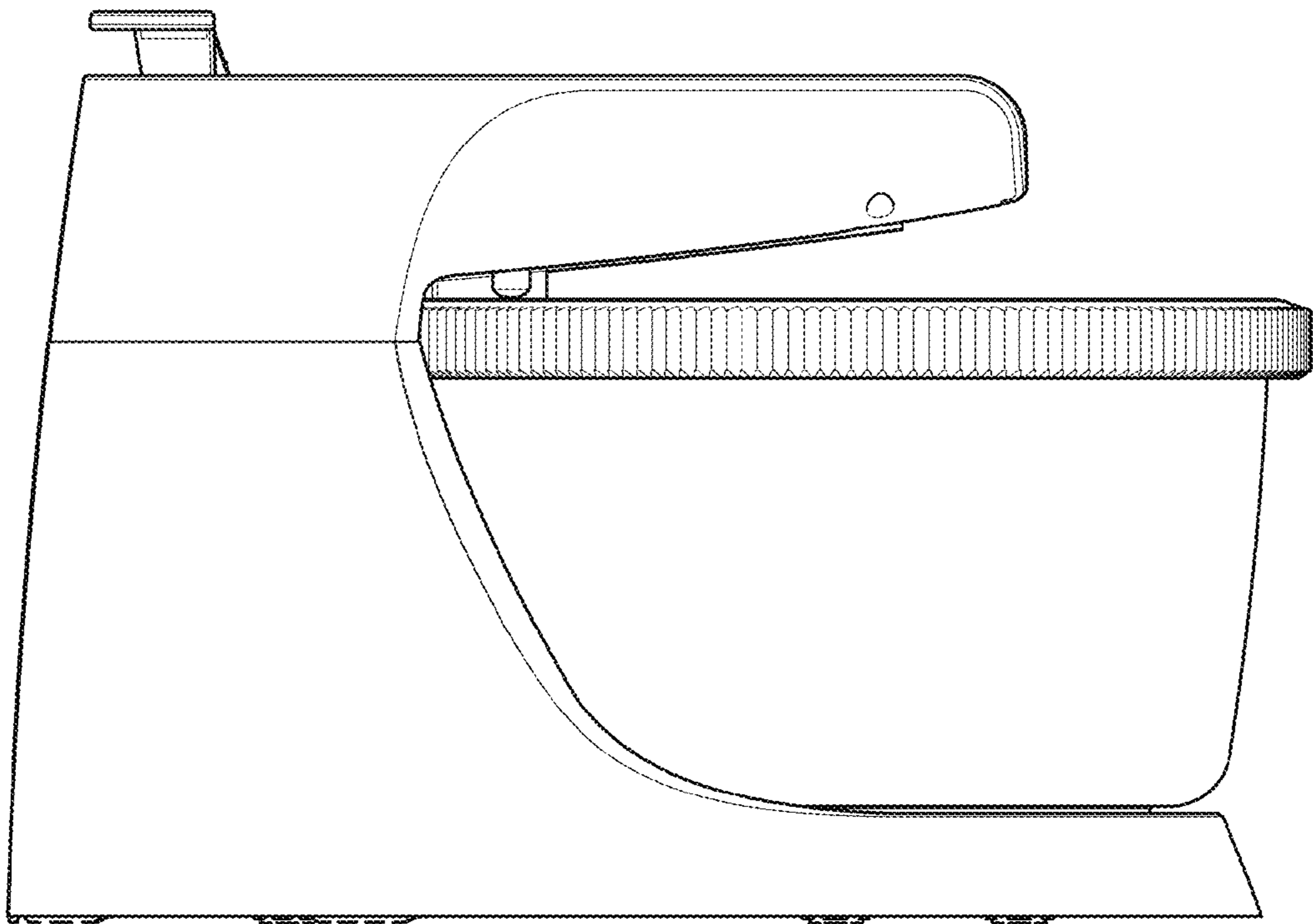


FIG. 4

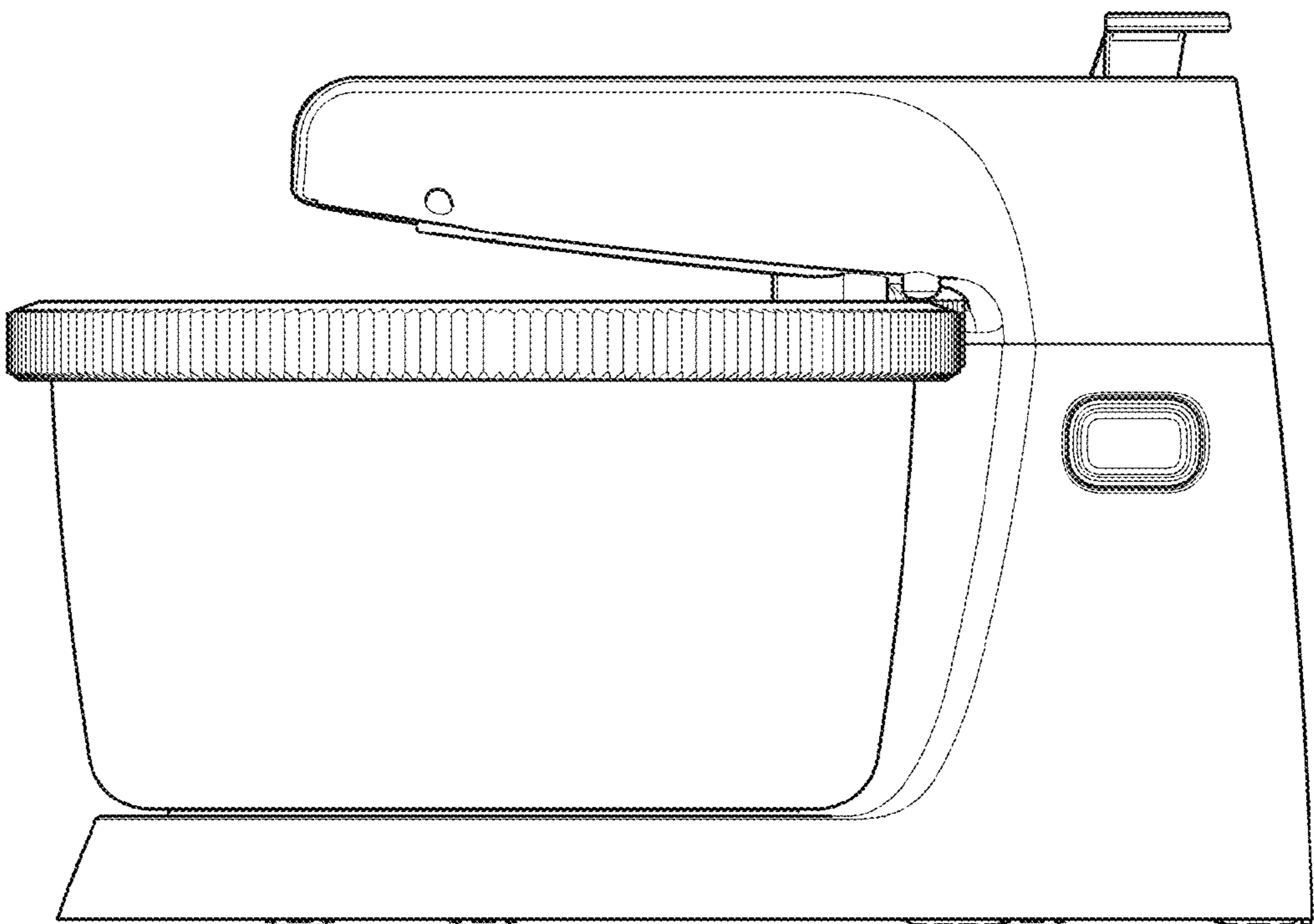


FIG. 5

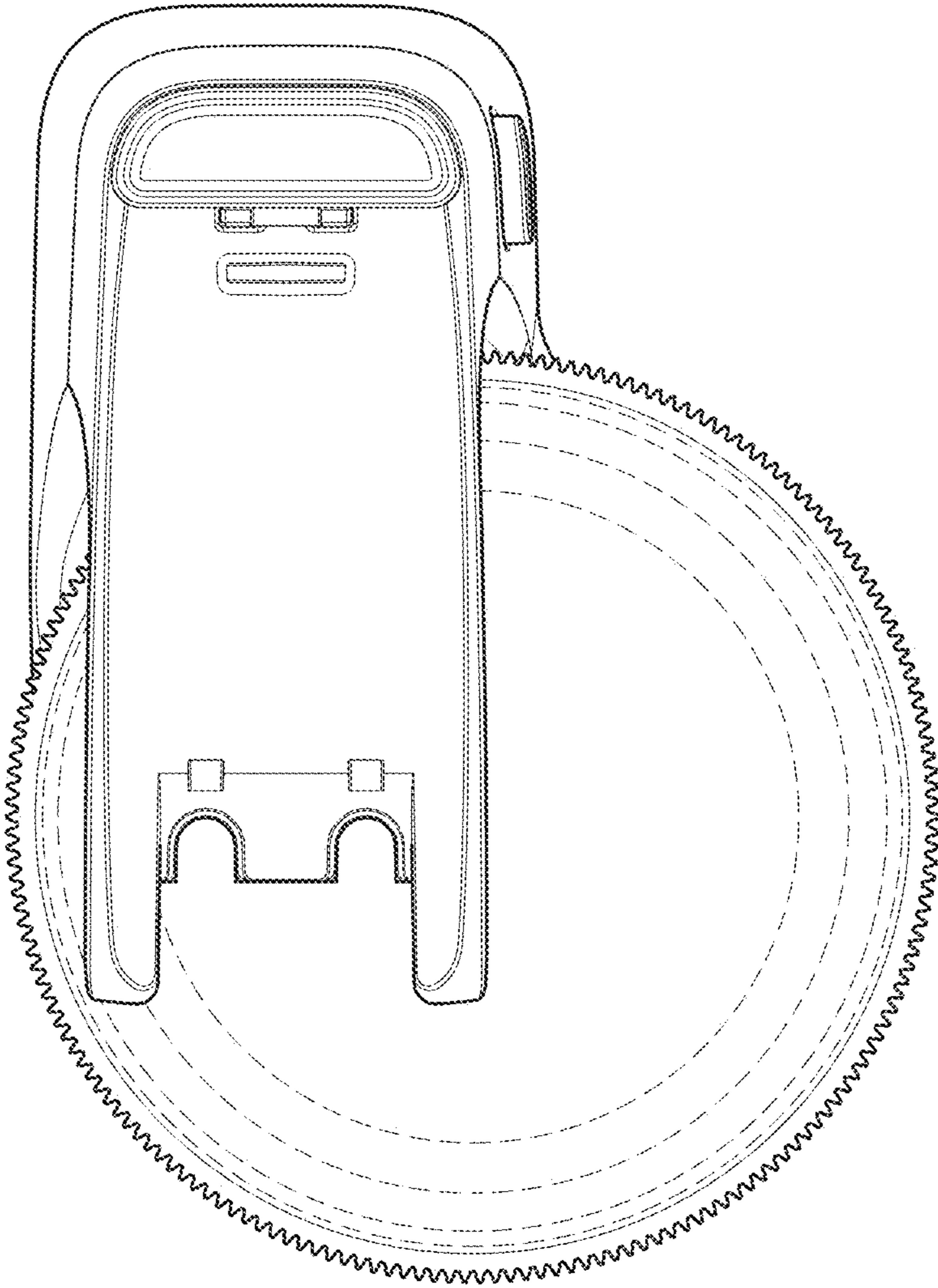


FIG. 6

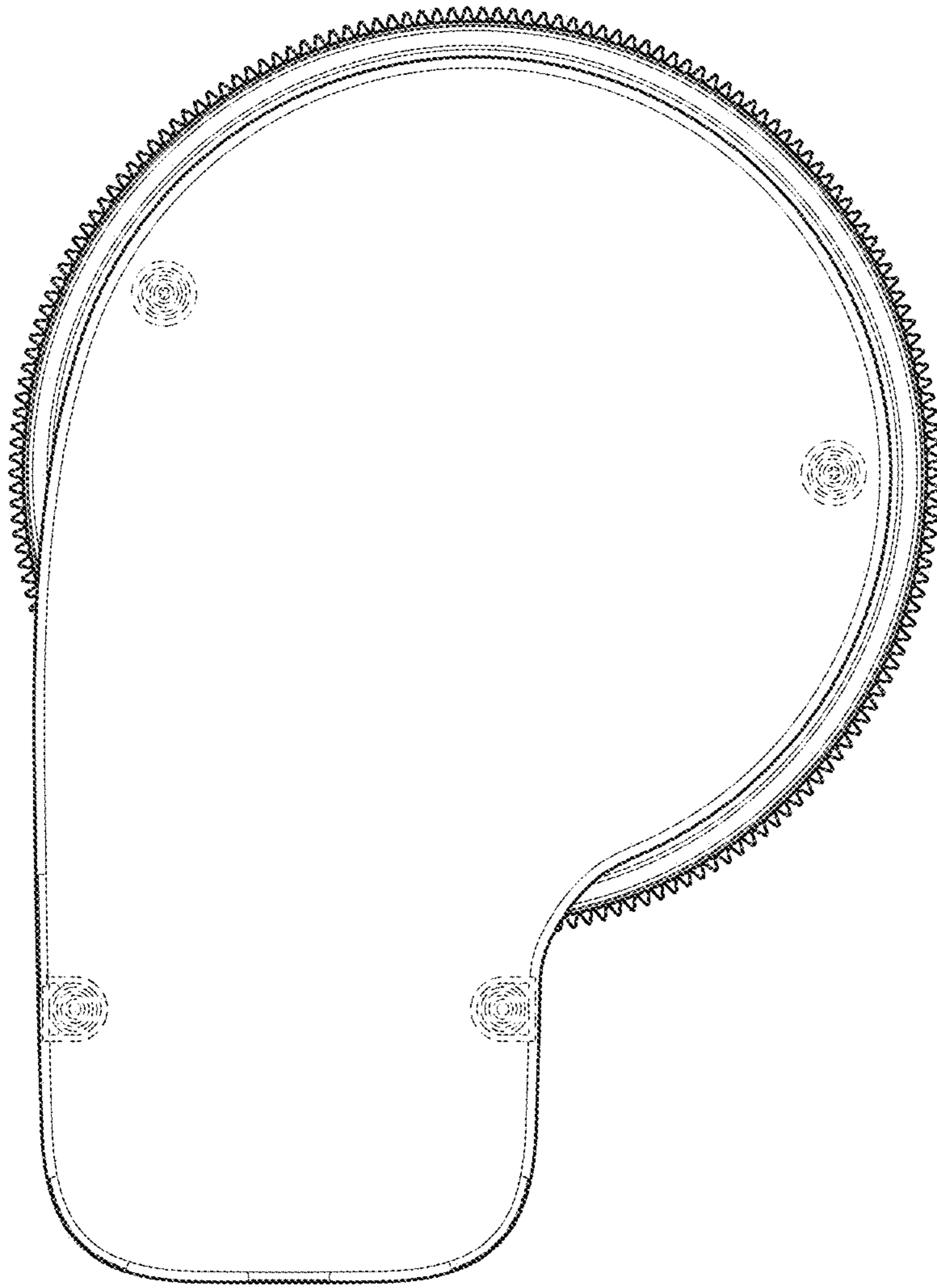


FIG. 7