

US00D969533S

(12) **United States Design Patent** (10) **Patent No.:** **US D969,533 S**
Kloepfel et al. (45) **Date of Patent:** **** Nov. 15, 2022**

(54) **FOOD GRINDER**

FOREIGN PATENT DOCUMENTS

- (71) Applicant: **BLUE SKY INNOVATION GROUP, INC.**, Sheffield Village, OH (US)
- (72) Inventors: **Gregg M. Kloepfel**, Sheffield Lake, OH (US); **Dale J. Zidan**, Eastlake, OH (US); **Jeffrey W. Palese**, Grafton, OH (US)
- (73) Assignee: **BLUE SKY INNOVATION GROUP, INC.**, Sheffield Village, OH (US)

CN	302595383	* 10/2013
CN	305890986	* 10/2020
CN	306134696	* 10/2020

(**) Term: **15 Years**

(21) Appl. No.: **29/748,960**

(22) Filed: **Sep. 2, 2020**

(51) **LOC (13) Cl.** **31-00**

(52) **U.S. Cl.**

USPC **D7/372**

(58) **Field of Classification Search**

USPC D7/372, 373, 374, 376, 377, 378, 381, D7/382, 383, 384, 385, 386, 412, 413, D7/414, 678, 679; D15/122-126, 138, D15/141

CPC A22C 5/00; A22C 7/00; A22C 9/00; A22C 17/00; A22C 17/0006; A22C 17/004; A22C 17/0026; B02C 18/30; B02C 18/36; B02C 18/301; B02C 18/302; B02C 18/304; B02C 18/305; B02C 2018/307

See application file for complete search history.

(56) **References Cited**

U.S. PATENT DOCUMENTS

2,262,605	A *	11/1941	Glaz	B02C 18/305 241/285.1
2,751,950	A *	6/1956	Scott	B02C 18/305 241/301
D236,283	S *	8/1975	McCue	D7/372
6,003,797	A *	12/1999	Lin	B02C 18/302 241/82.5

(Continued)

OTHER PUBLICATIONS

Cabela Carnivore Meat Grinder, posted at cabelas.com (date not available), [site visited Jan. 25, 2022]. Available from internet, URL: <<https://www.cabelas.com/shop/en/cabelas-commercial-grade-3-4hp-carnivore-meat-grinder>> (date not available) (Year: NA).*

(Continued)

Primary Examiner — Andrew Kerr

Assistant Examiner — Chariton Alexakis

(74) *Attorney, Agent, or Firm* — Tarolli, Sundheim, Covell & Tummino LLP

(57) **CLAIM**

The ornamental design for a food grinder, as shown and described.

DESCRIPTION

FIG. 1 is a left side view of a food grinder illustrating our new design.

FIG. 2 is a right side view of a food grinder illustrating our new design.

FIG. 3 is a rear view of a food grinder illustrating our new design.

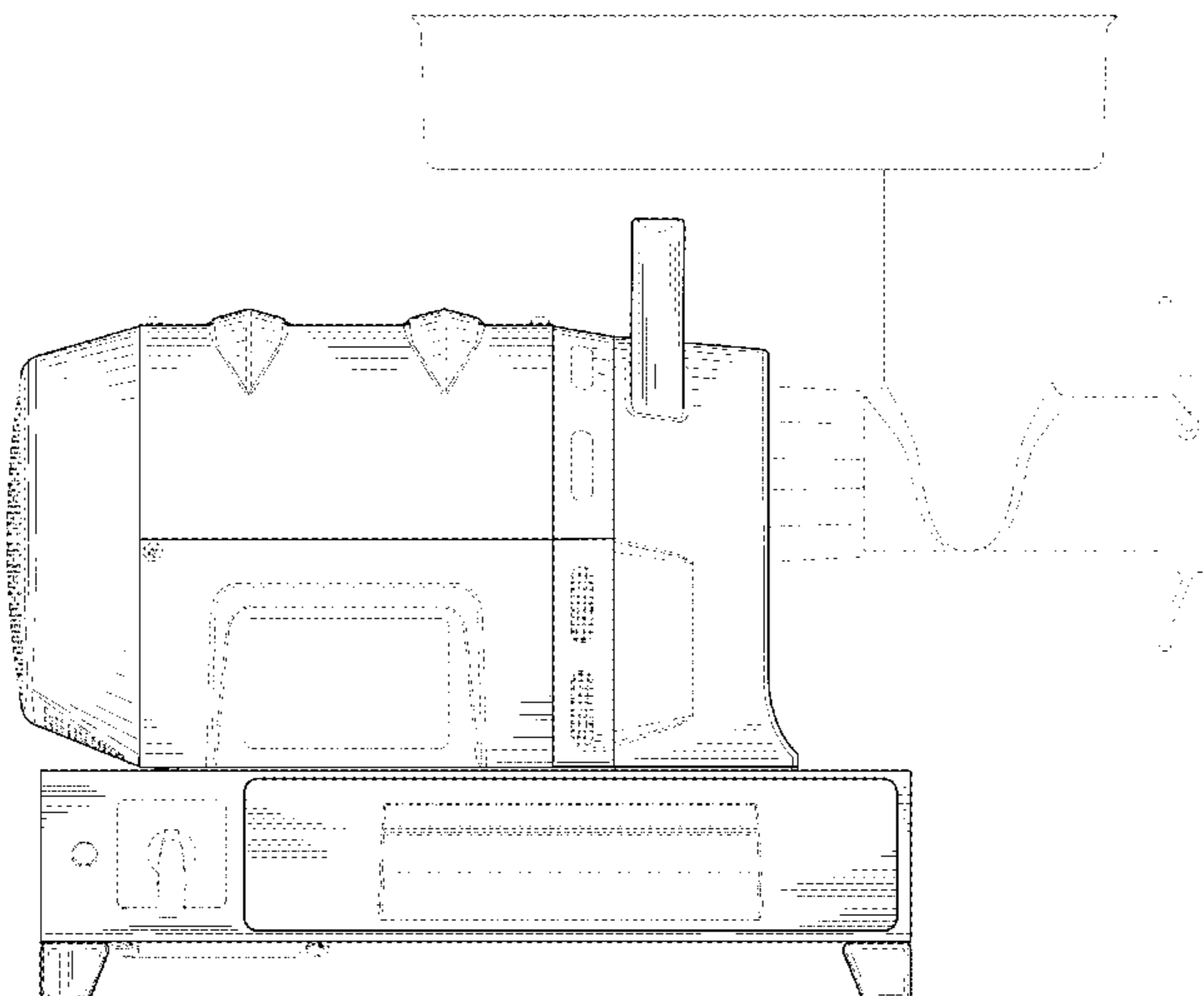
FIG. 4 is a front view of a food grinder illustrating our new design.

FIG. 5 is a top view of a food grinder illustrating our new design; and,

FIG. 6 is a bottom view of a food grinder illustrating our new design.

The broken lines in the drawings depict portions of the food grinder that form no part of the claimed design.

1 Claim, 5 Drawing Sheets



(56)

References Cited

U.S. PATENT DOCUMENTS

D495,921 S * 9/2004 Lallemand D7/372
D526,539 S * 8/2006 Yip D7/665
D610,396 S * 2/2010 Chiang D7/372
D712,696 S * 9/2014 Huber D7/372
D775,491 S * 1/2017 Brinkley D7/372
D809,330 S * 2/2018 Liu D7/373
D811,158 S * 2/2018 Yuan D7/372
D831,080 S * 10/2018 Palese D15/125
D927,266 S * 8/2021 Wang D7/643
2015/0336104 A1 * 11/2015 Palese B02C 18/301
62/4
2016/0318032 A1 * 11/2016 Palese B02C 18/30
2016/0332166 A1 * 11/2016 Chen B02C 18/30
2017/0274385 A1 * 9/2017 Moore A22C 17/0026
2017/0311759 A1 * 11/2017 Xue A47J 42/02
2017/0341083 A1 * 11/2017 Palese B02C 18/302
2018/0099289 A1 * 4/2018 Moore B02C 18/2291
2019/0056163 A1 * 2/2019 Palese B02C 18/305

OTHER PUBLICATIONS

Weston Electric Meat Grinder, posted at Amazon.com on Sep. 14, 2016, [site visited Jan. 25, 2022]. Available from internet, URL: <<https://www.amazon.com/WESTON-BUTCHER-ELECTRIC-MEAT-GRINDER/dp/B01LX6PYSK/>> (Year: 2016).*

SuperHandy Meat Grinder, posted at Amazon.com on Dec. 16, 2019, [site visited Jan. 25, 2022]. Available from internet, URL: <<https://www.amazon.com/SuperHandy-Electric-Commercial-Stainless-Grinding/dp/B082TZNQZ7/>> (Year: 2019).*

* cited by examiner

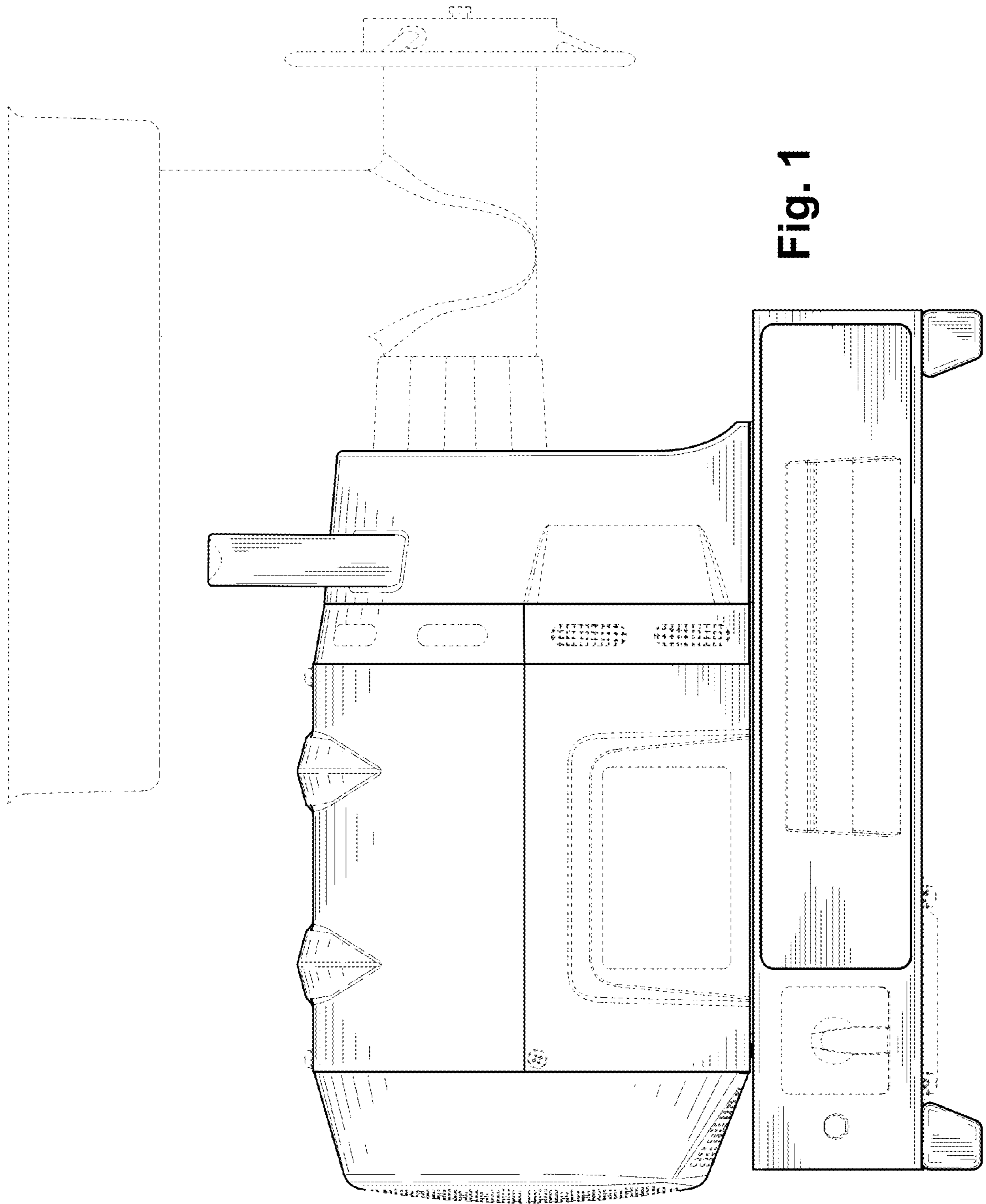
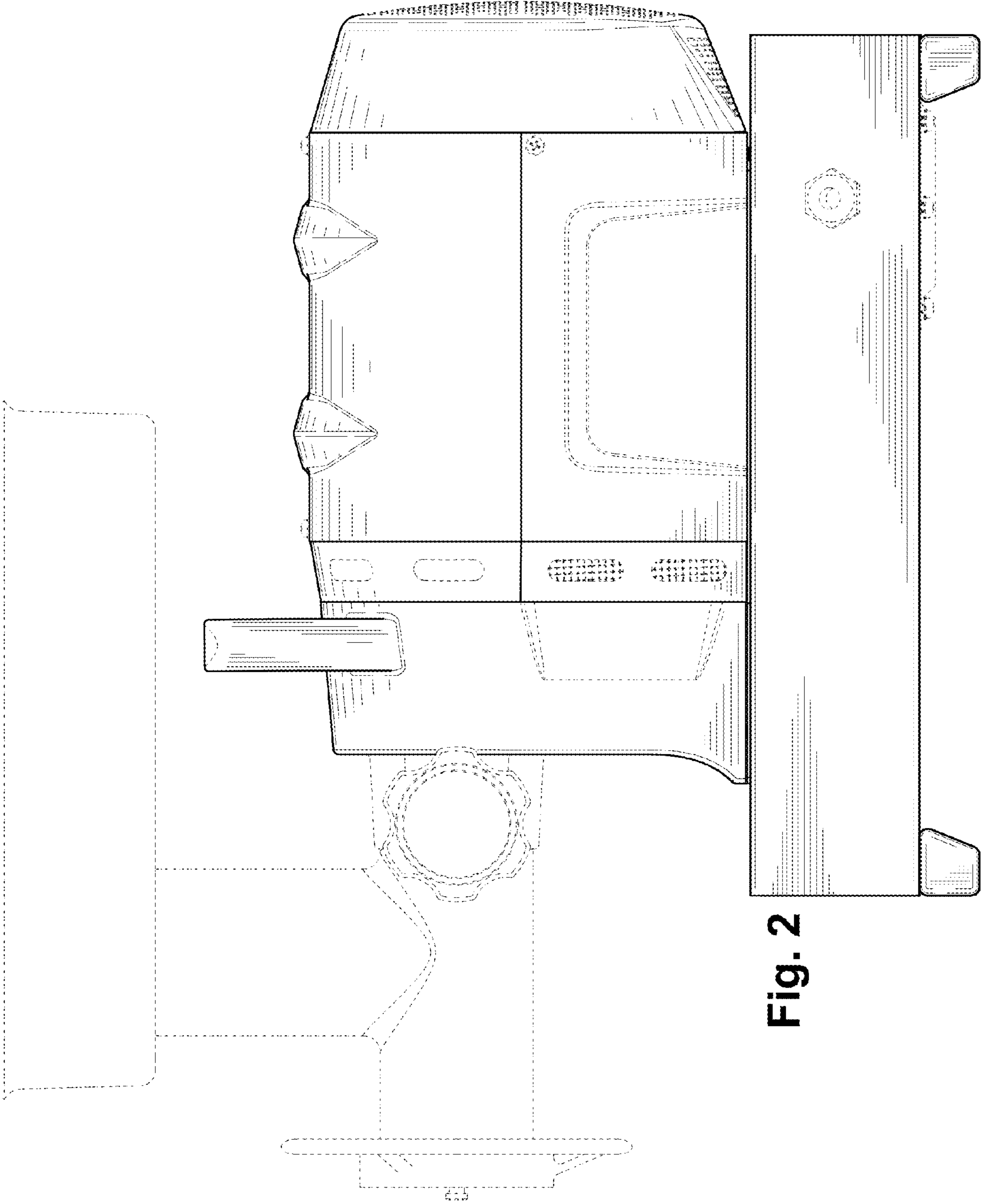


Fig. 1



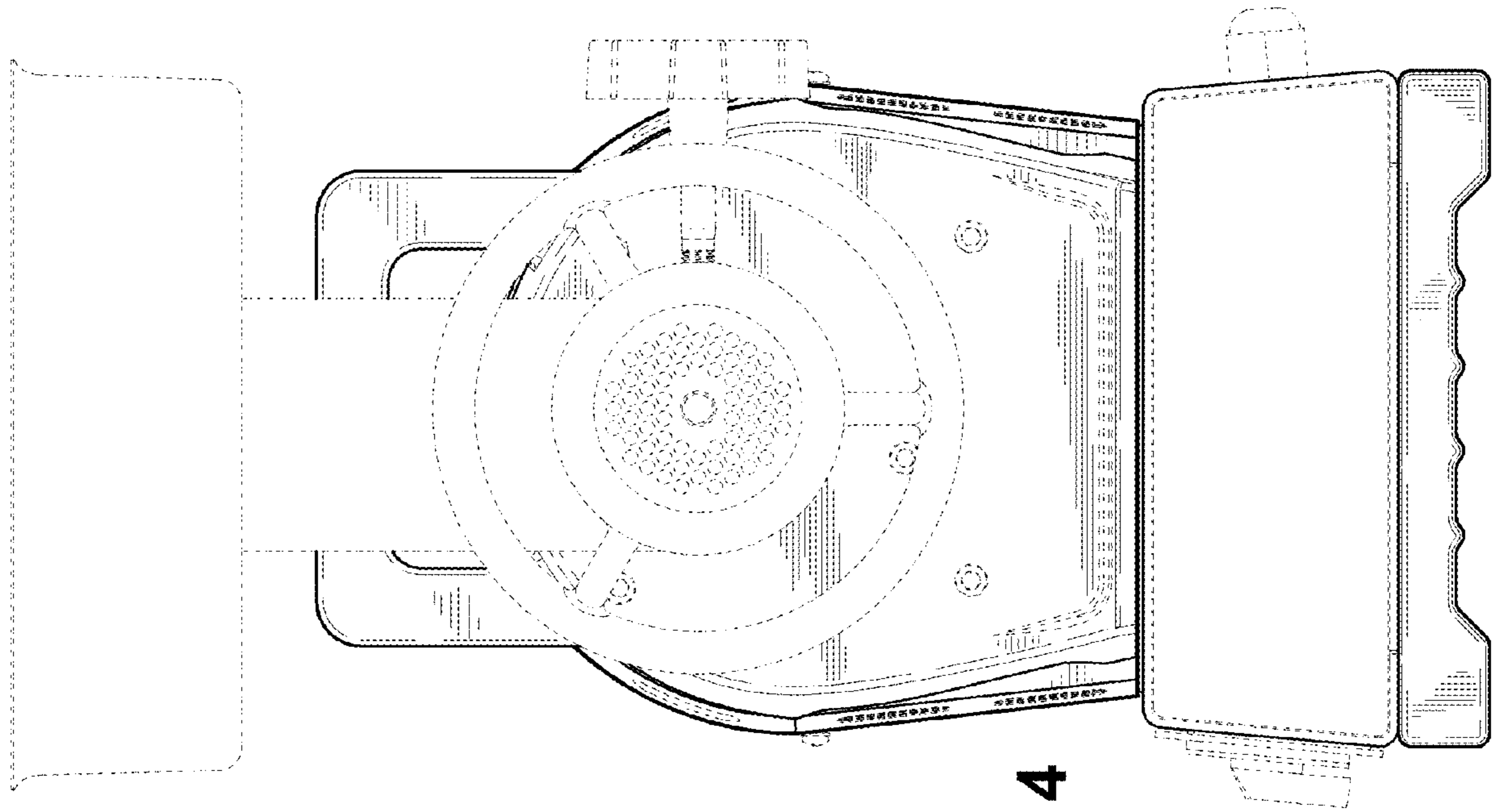


Fig. 4

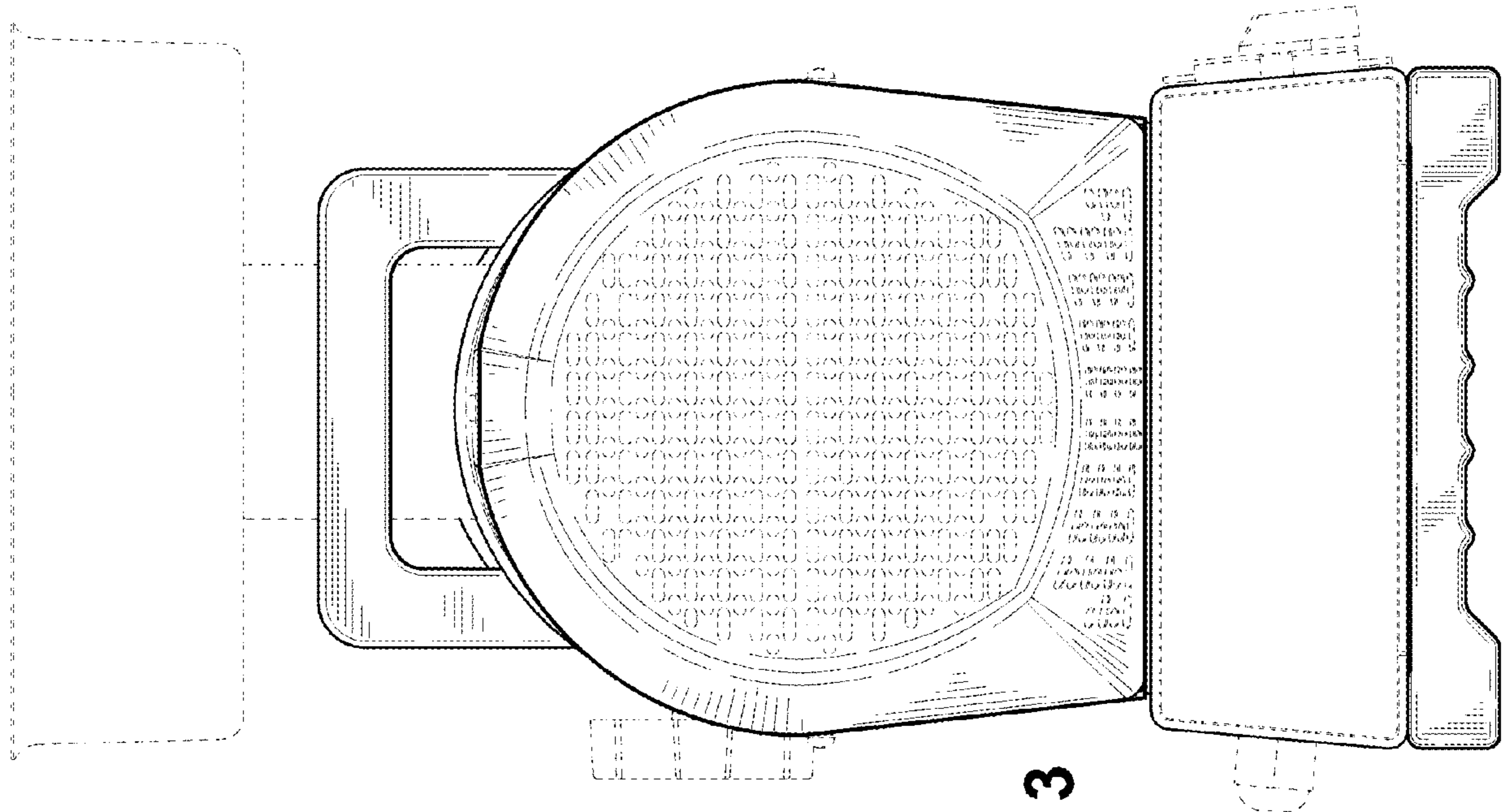


Fig. 3

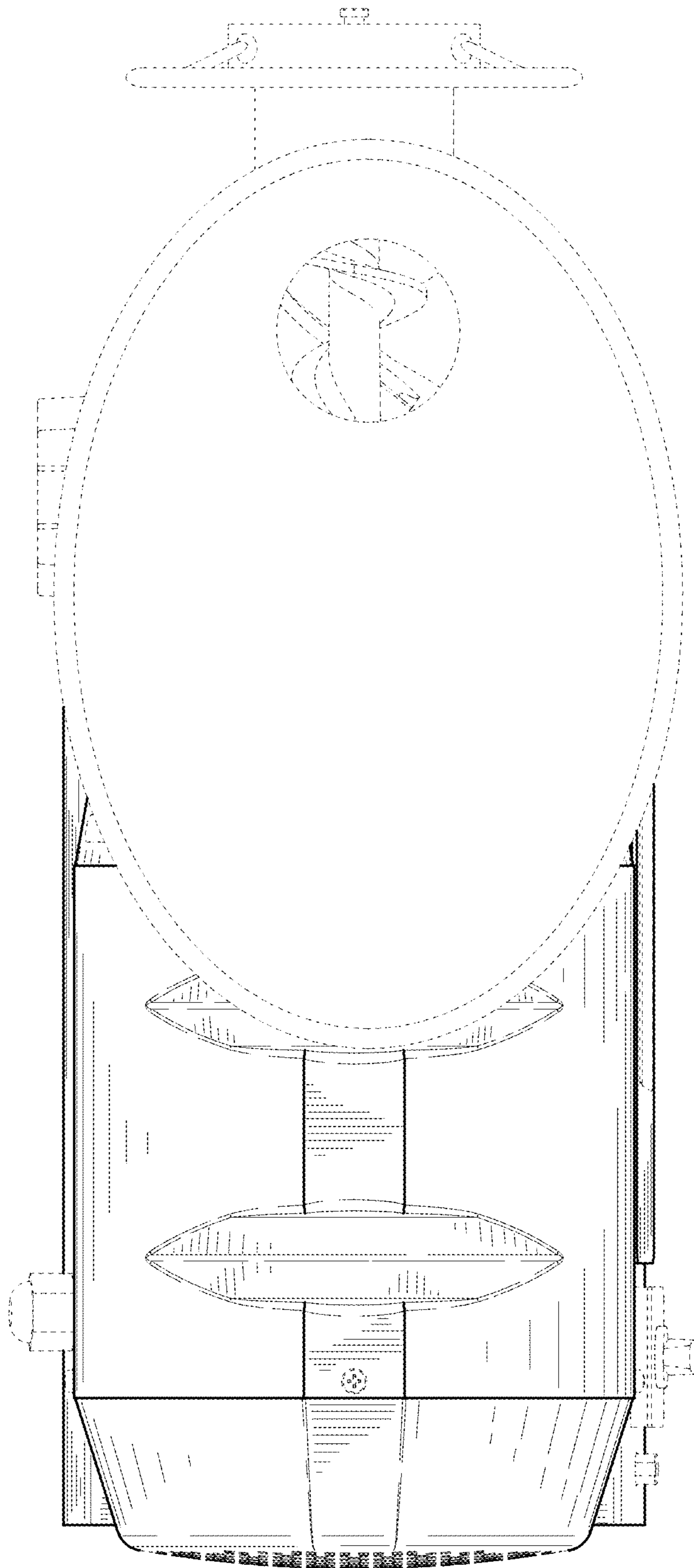


Fig. 5

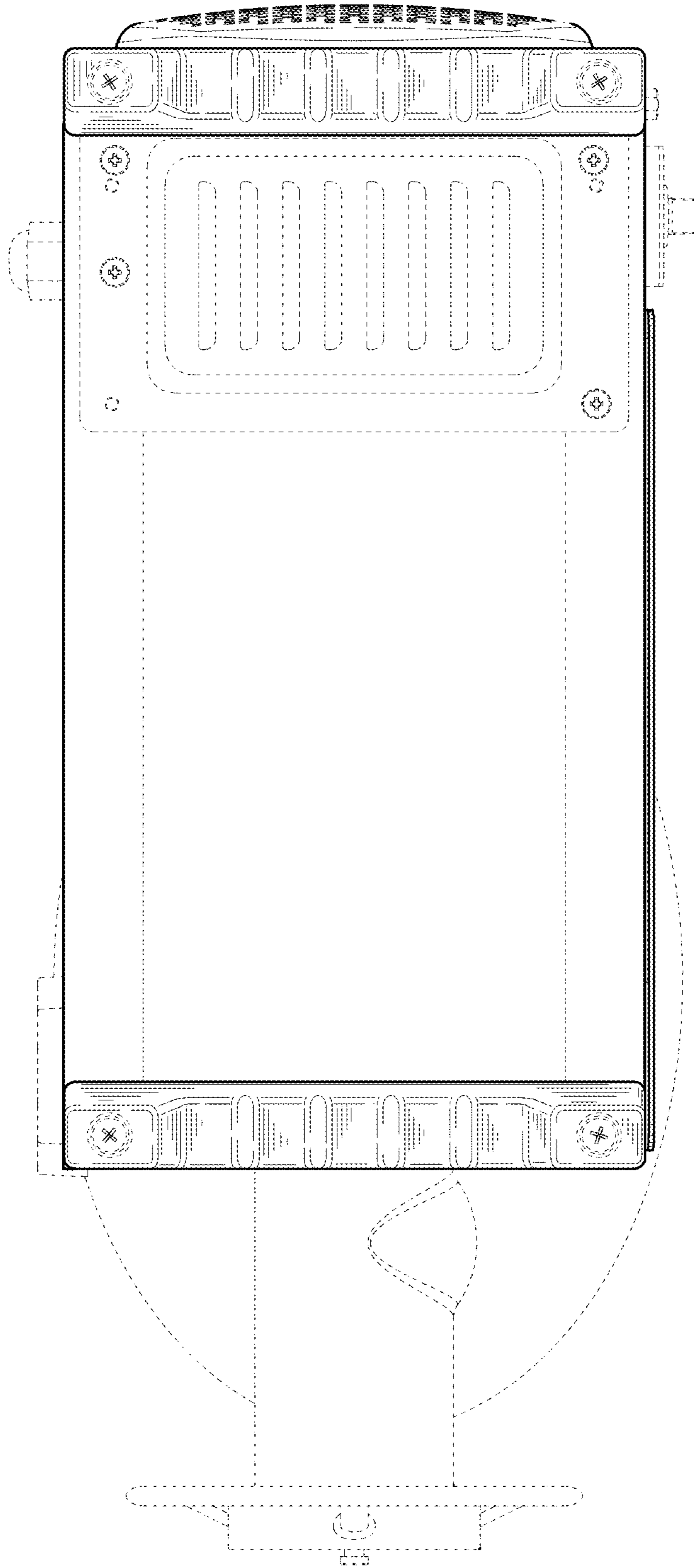


Fig. 6