

US00D969532S

(12) **United States Design Patent** (10) **Patent No.:** **US D969,532 S**  
**Kloepfel et al.** (45) **Date of Patent:** **\*\* Nov. 15, 2022**

(54) **FOOD GRINDER**

D811,158 S \* 2/2018 Yuan ..... D7/372  
D831,080 S \* 10/2018 Palese ..... D15/125  
D927,266 S \* 8/2021 Wang ..... D7/643

(71) Applicant: **BLUE SKY INNOVATION GROUP, INC.**, Sheffield Village, OH (US)

(Continued)

(72) Inventors: **Gregg M. Kloepfel**, Sheffield Lake, OH (US); **Dale J. Zidan**, Eastlake, OH (US); **Jeffrey W. Palese**, Grafton, OH (US)

FOREIGN PATENT DOCUMENTS

CN 306134696 \* 10/2020  
CN 306606362 \* 11/2021

(73) Assignee: **BLUE SKY INNOVATION GROUP, INC.**, Sheffield Village, OH (US)

OTHER PUBLICATIONS

Cabela Commercial Electric Grinder, posted at Amazon.com on Mar. 7, 2017, [site visited Jan. 13, 2022], Available from Internet, <<https://www.amazon.ca/Cabelas-Commercial-Grade-Electric-Grinder-Stainless/dp/B001NZIWEM>> (Year: 2017).\*

(\*\*) Term: **15 Years**

(Continued)

(21) Appl. No.: **29/748,959**

(22) Filed: **Sep. 2, 2020**

*Primary Examiner* — Andrew Kerr

(51) **LOC (13) Cl.** ..... **31-00**

*Assistant Examiner* — Chariton Alexakis

(52) **U.S. Cl.**

(74) *Attorney, Agent, or Firm* — Tarolli, Sundheim, Covell & Tummino LLP

USPC ..... **D7/372**

(58) **Field of Classification Search**

(57) **CLAIM**

USPC ..... D7/372, 373, 374, 376, 377, 378, 381, D7/382–386, 412, 413, 414, 678, 679; D15/122–126, 138, 141

The ornamental design for a food grinder, as shown and described.

CPC .... A22C 5/00; A22C 7/00; A22C 9/00; A22C 17/00; A22C 17/0006; A22C 17/004; A22C 17/0026; B02C 18/30; B02C 18/36; B02C 18/301; B02C 18/302; B02C 18/304; B02C 18/305; B02C 2018/307

DESCRIPTION

See application file for complete search history.

FIG. 1 is a left side view of a food grinder illustrating our new design.

(56) **References Cited**

U.S. PATENT DOCUMENTS

D236,283 S \* 8/1975 McCue ..... D7/372  
D495,921 S \* 9/2004 Lallemand ..... D7/372  
D526,539 S \* 8/2006 Yip ..... D7/665  
D610,396 S \* 2/2010 Chiang ..... D7/372  
D712,696 S \* 9/2014 Huber ..... D7/372  
D775,491 S \* 1/2017 Brinkley ..... D7/372  
D809,330 S \* 2/2018 Liu ..... D7/373

FIG. 2 is a right side view of a food grinder illustrating our new design.

FIG. 3 is a rear view of a food grinder illustrating our new design.

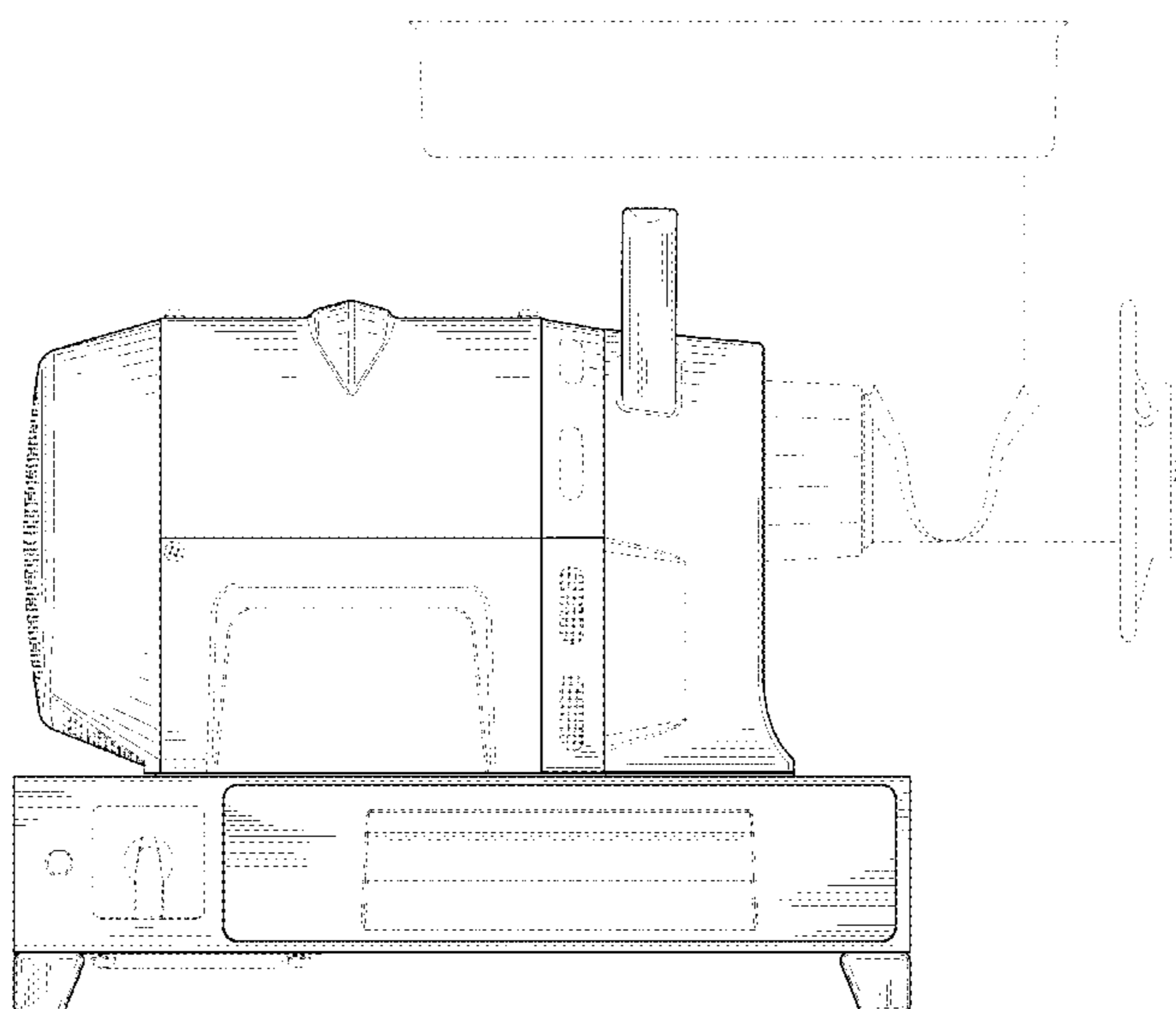
FIG. 4 is a front view of a food grinder illustrating our new design.

FIG. 5 is a top view of a food grinder illustrating our new design; and,

FIG. 6 is a bottom view of a food grinder illustrating our new design.

The broken lines in the drawings depict portions of the food grinder that form no part of the claimed design.

**1 Claim, 5 Drawing Sheets**



(56)

**References Cited**

U.S. PATENT DOCUMENTS

2015/0336104 A1\* 11/2015 Palese ..... B02C 18/301  
62/4  
2016/0318032 A1\* 11/2016 Palese ..... B02C 18/30  
2016/0332166 A1\* 11/2016 Chen ..... B02C 18/30  
2017/0274385 A1\* 9/2017 Moore ..... A22C 17/0026  
2017/0311759 A1\* 11/2017 Xue ..... A47J 42/02  
2017/0341083 A1\* 11/2017 Palese ..... B02C 18/302  
2018/0099289 A1\* 4/2018 Moore ..... B02C 18/2291

OTHER PUBLICATIONS

LEM Electric Meat Grinder, posted at Amazon.com on Sep. 29, 2017, [site visited Jan. 13, 2022], Available from Internet, <<https://www.amazon.ca/LEM-Products-17801-Stainless-Electric/dp/B074FBH56N/>> (Year: 2017).\*

Tangkula Electric Meat Grinder, posted at Amazon.ca on Mar. 19, 2019, [site visited Jan. 13, 2022], Available from Internet, <<https://www.amazon.ca/dp/B07PQDLXYP/>> (Year: 2019).\*

Cabela Carnivore Meat Grinder, posted at cabelas.com (date not available), [site visited Jan. 13, 2022], Available from Internet, <<https://www.cabelas.com/shop/en/cabelas-commercial-grade-3-4hp-carnivore-meat-grinder>> (Year: NA).\*

\* cited by examiner

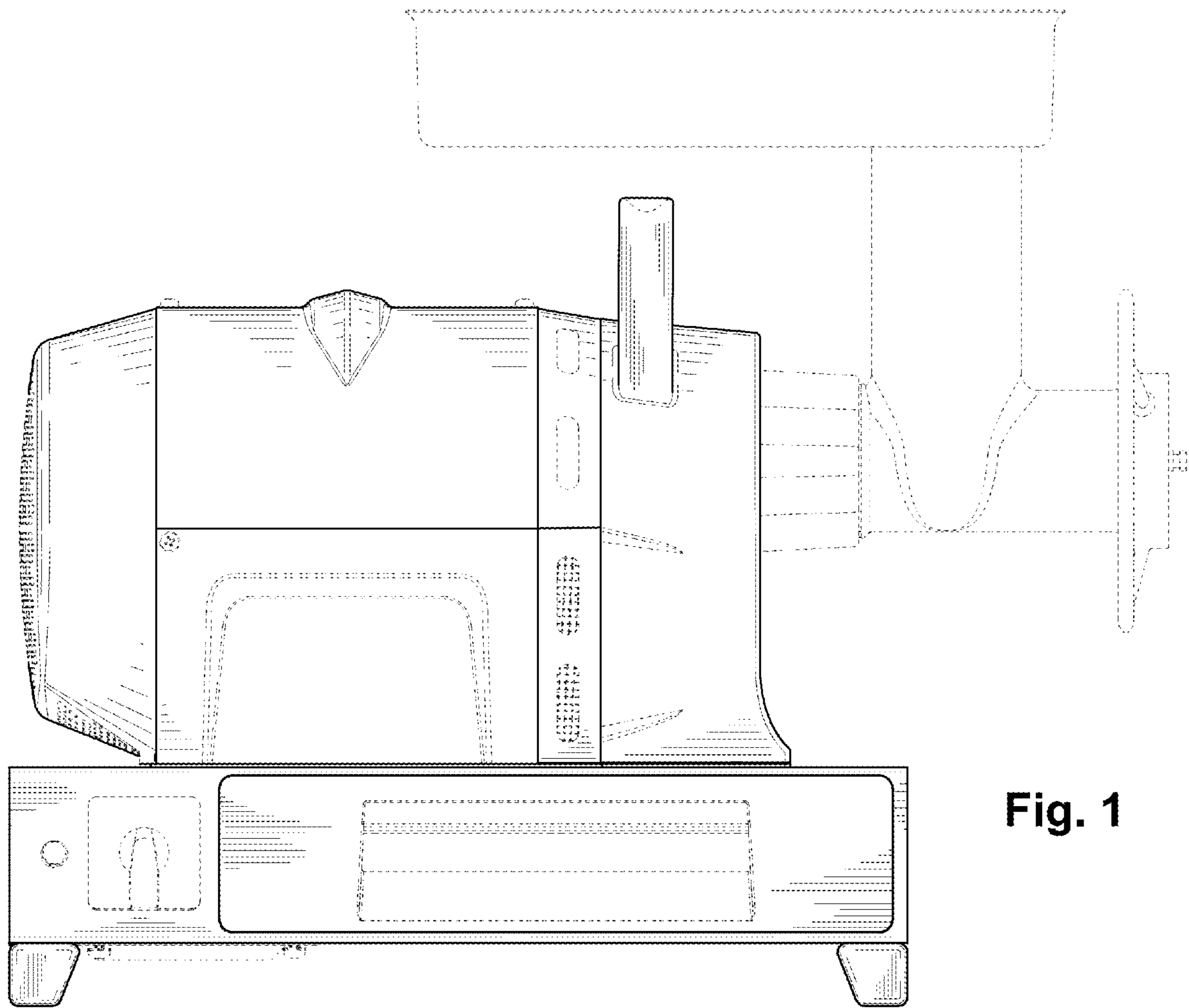
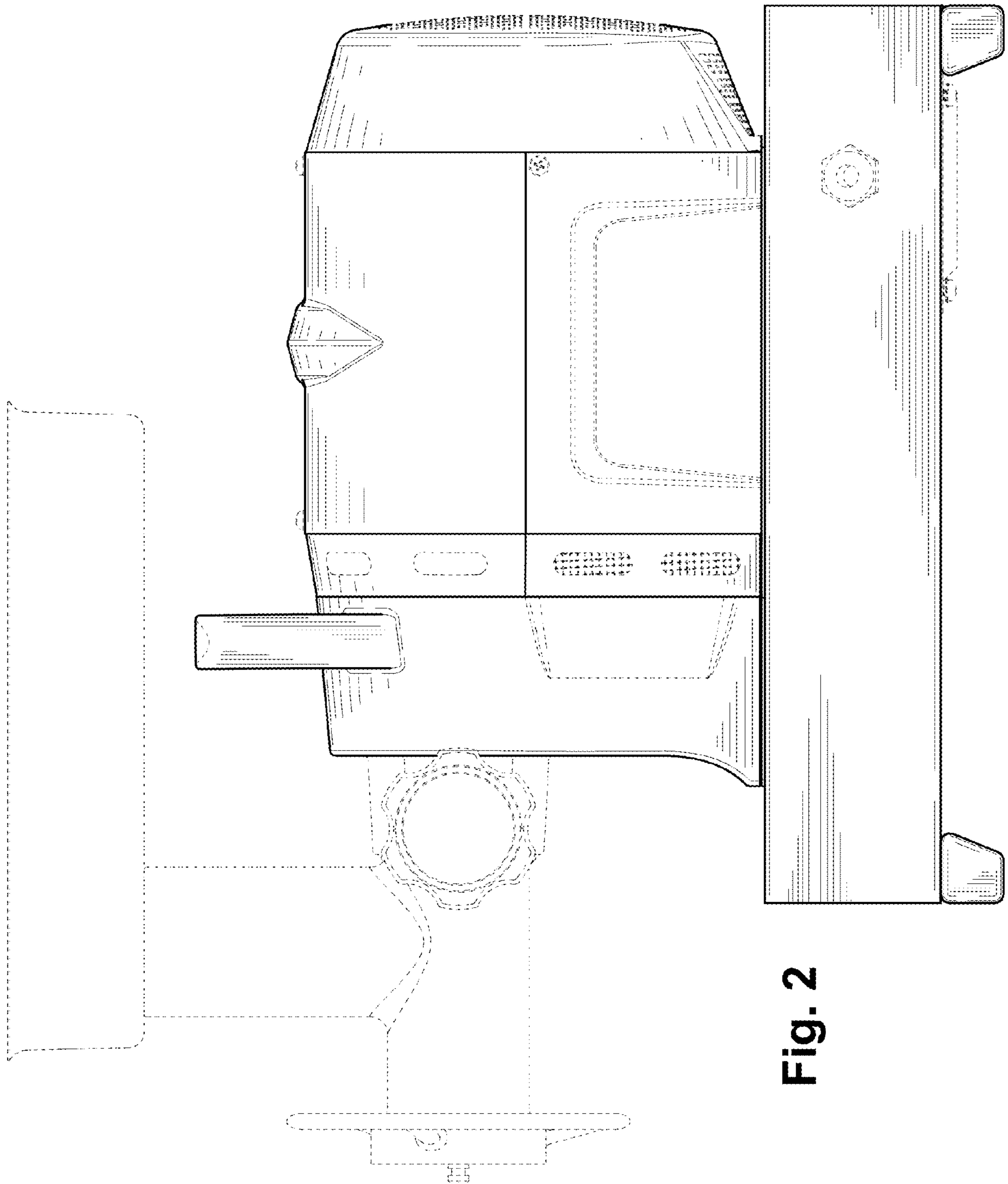


Fig. 1



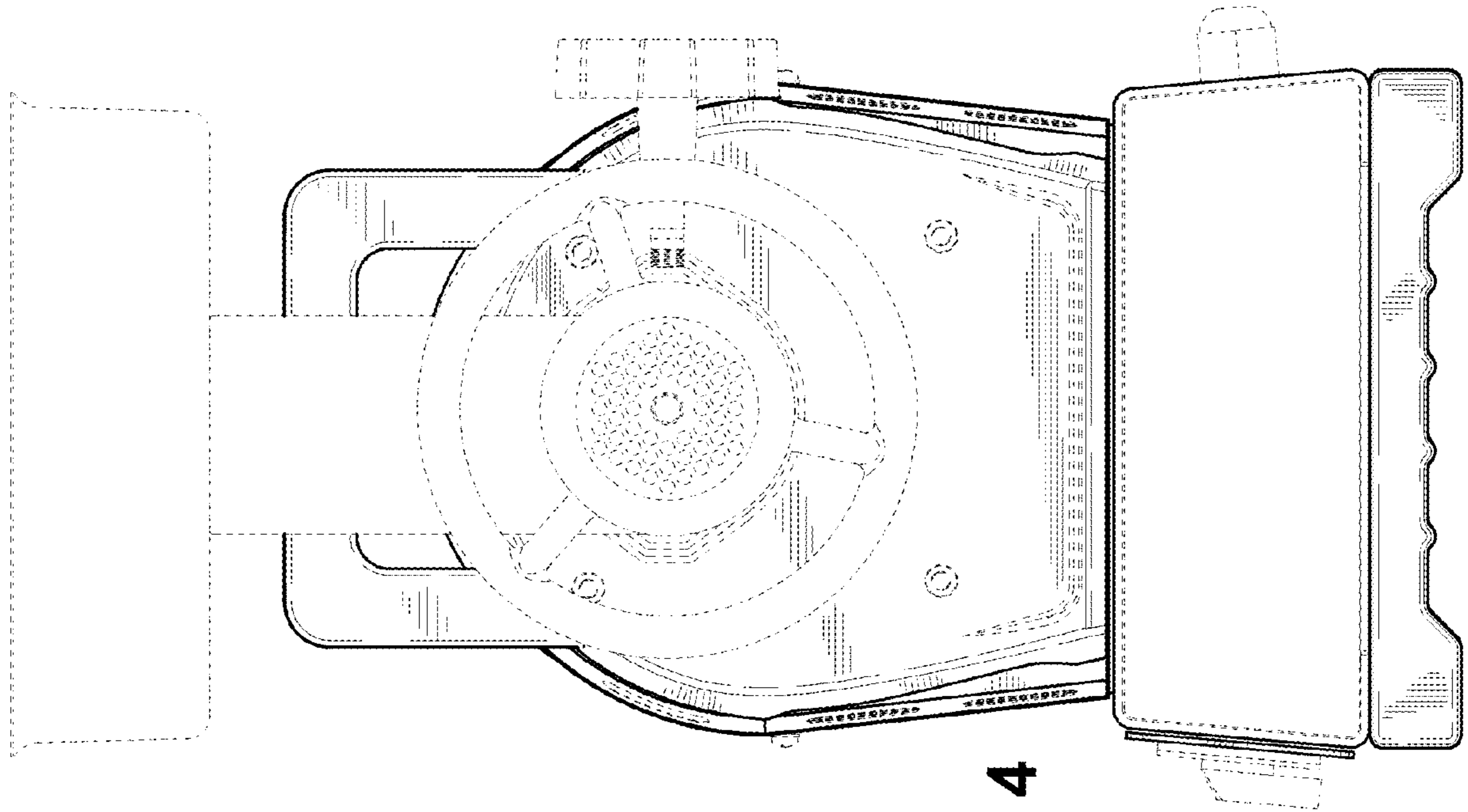


Fig. 4

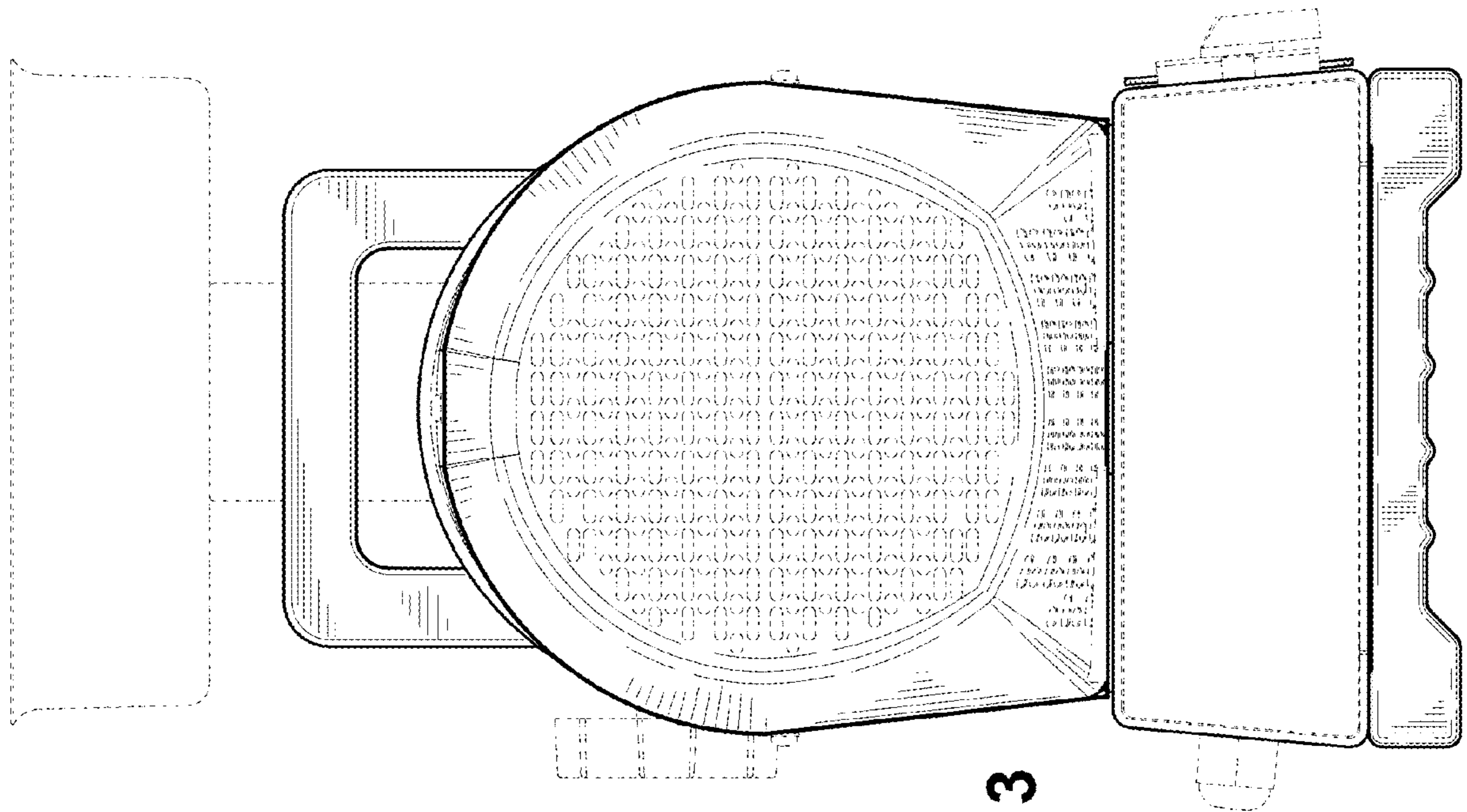


Fig. 3

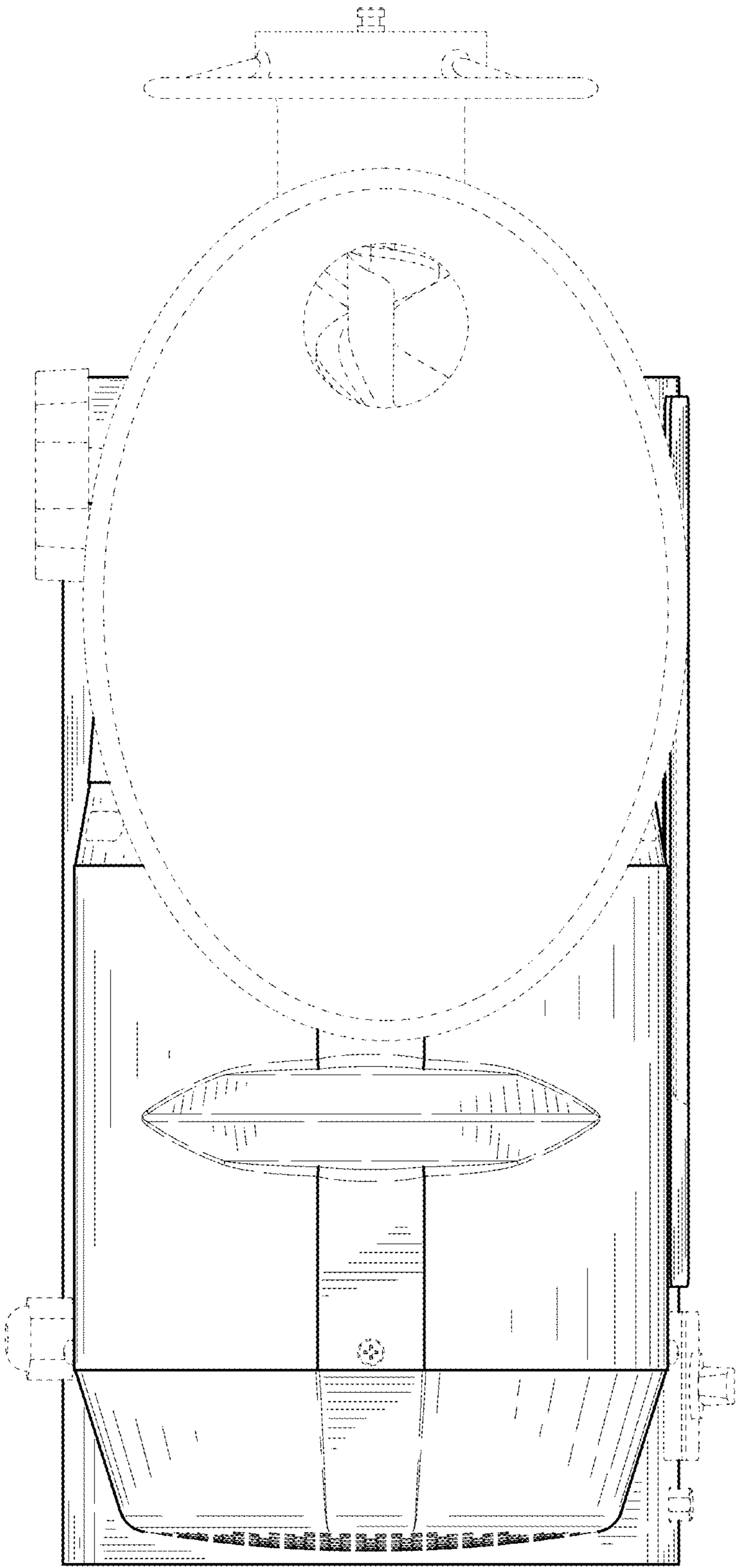


Fig. 5

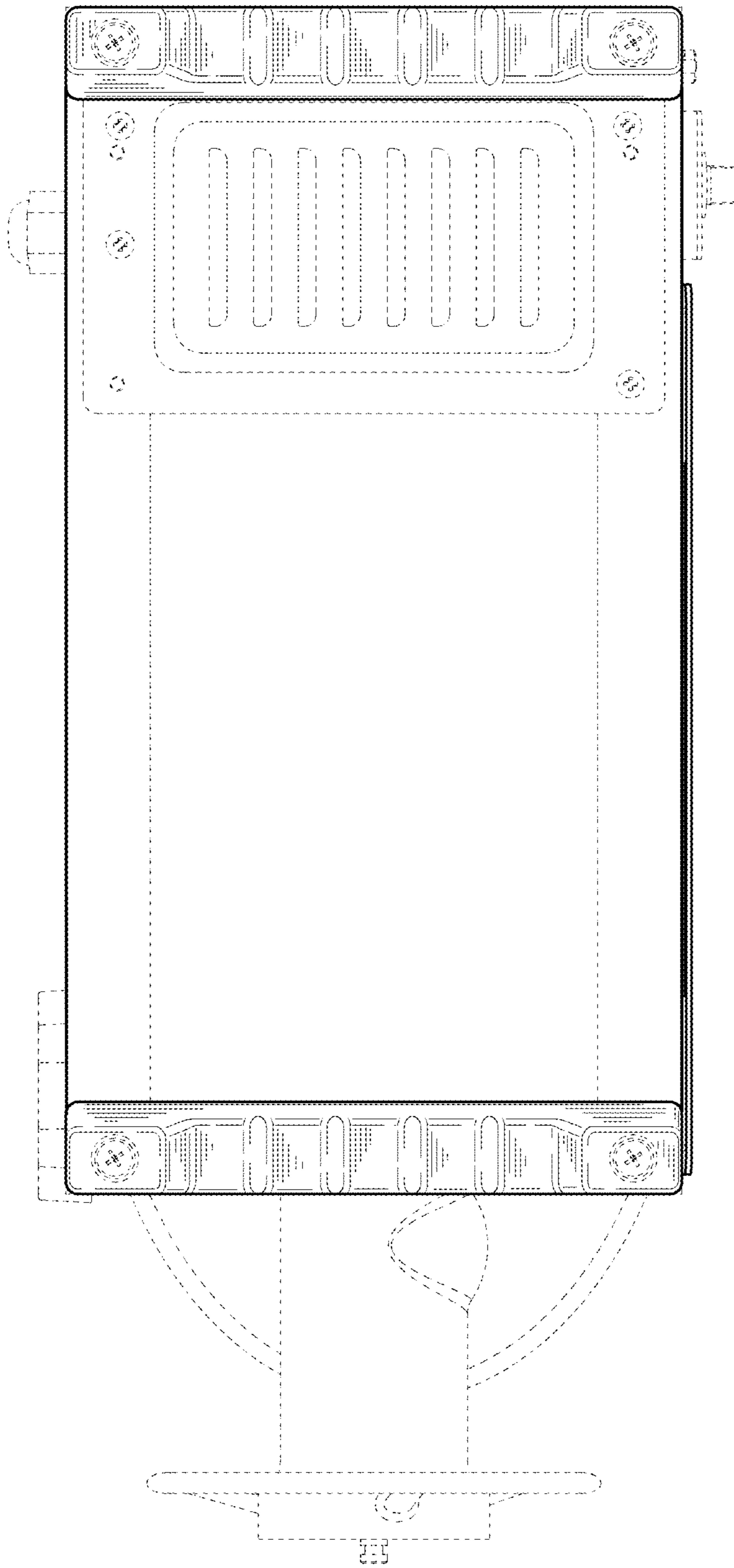


Fig. 6