



US00D969531S

(12) **United States Design Patent**
Burrage et al.

(10) **Patent No.:** **US D969,531 S**

(45) **Date of Patent:** **** Nov. 15, 2022**

(54) **COMBINABLE COOKWARE**

(71) Applicant: **Proclamation Goods Co.**, San Francisco, CA (US)

(72) Inventors: **Christopher Burrage**, San Francisco, CA (US); **Anthony Leo**, San Francisco, CA (US); **Philip Rose**, San Francisco, CA (US)

(73) Assignee: **Proclamation Goods Co.**, San Francisco, CA (US)

(**) Term: **15 Years**

(21) Appl. No.: **29/696,827**

(22) Filed: **Jul. 1, 2019**

(51) **LOC (13) Cl.** **07-02**

(52) **U.S. Cl.**
USPC **D7/361**

(58) **Field of Classification Search**
USPC D7/323, 338, 352, 354, 355, 356, 357,
D7/358, 359, 360, 361, 362, 363, 364,
(Continued)

(56) **References Cited**

U.S. PATENT DOCUMENTS

3,007,595 A 11/1961 Remley
D363,851 S * 11/1995 Chen D7/360
(Continued)

OTHER PUBLICATIONS

Cookware with Conscience, announced © 2020 [online], retrieved Oct. 2, 2020, retrieved from internet, <https://www.proclamationgoods.com/>.*

(Continued)

Primary Examiner — Messina L Smith

(74) *Attorney, Agent, or Firm* — Womble Bond Dickinson (US) LLP

(57) **CLAIM**

The ornamental design for a combinable cookware, as shown and described.

DESCRIPTION

FIG. 1 is a top perspective view of a bottom pan of a combinable cookware showing the new design, shown separately to show aspects of the design that are not visible when combined;

FIG. 2 is a side view thereof, the left side view being a mirror image thereof;

FIG. 3 is a rear view thereof;

FIG. 4 is a front view thereof;

FIG. 5 is a top plan view thereof;

FIG. 6 is a bottom plan view thereof;

FIG. 7 is a bottom perspective view thereof;

FIG. 8 is a top perspective view of a top pan of the combinable cookware showing the new design, shown separately to show aspects of the design that are not visible when combined;

FIG. 9 is a right side view thereof, the left side view being a mirror image thereof;

FIG. 10 is a rear view thereof;

FIG. 11 is a front view thereof;

FIG. 12 is a top plan view thereof;

FIG. 13 is a bottom plan view thereof;

FIG. 14 is a bottom perspective view thereof;

FIG. 15 is a top perspective view of the combinable cookware showing the top and bottom pan combined;

FIG. 16 is a right side view thereof, the left side view being a mirror image thereof;

FIG. 17 is a rear view thereof;

FIG. 18 is a front view thereof;

FIG. 19 is a top plan view thereof;

FIG. 20 is a bottom plan view thereof;

FIG. 21 is a bottom perspective view thereof;

FIG. 22 is a top perspective view of another embodiment of the combinable cookware of FIG. 15 but differing in material finish of the visible surfaces;

FIG. 23 is a right side view thereof, the left side view being a mirror image thereof;

FIG. 24 is a rear view thereof;

FIG. 25 is a front view thereof;

(Continued)

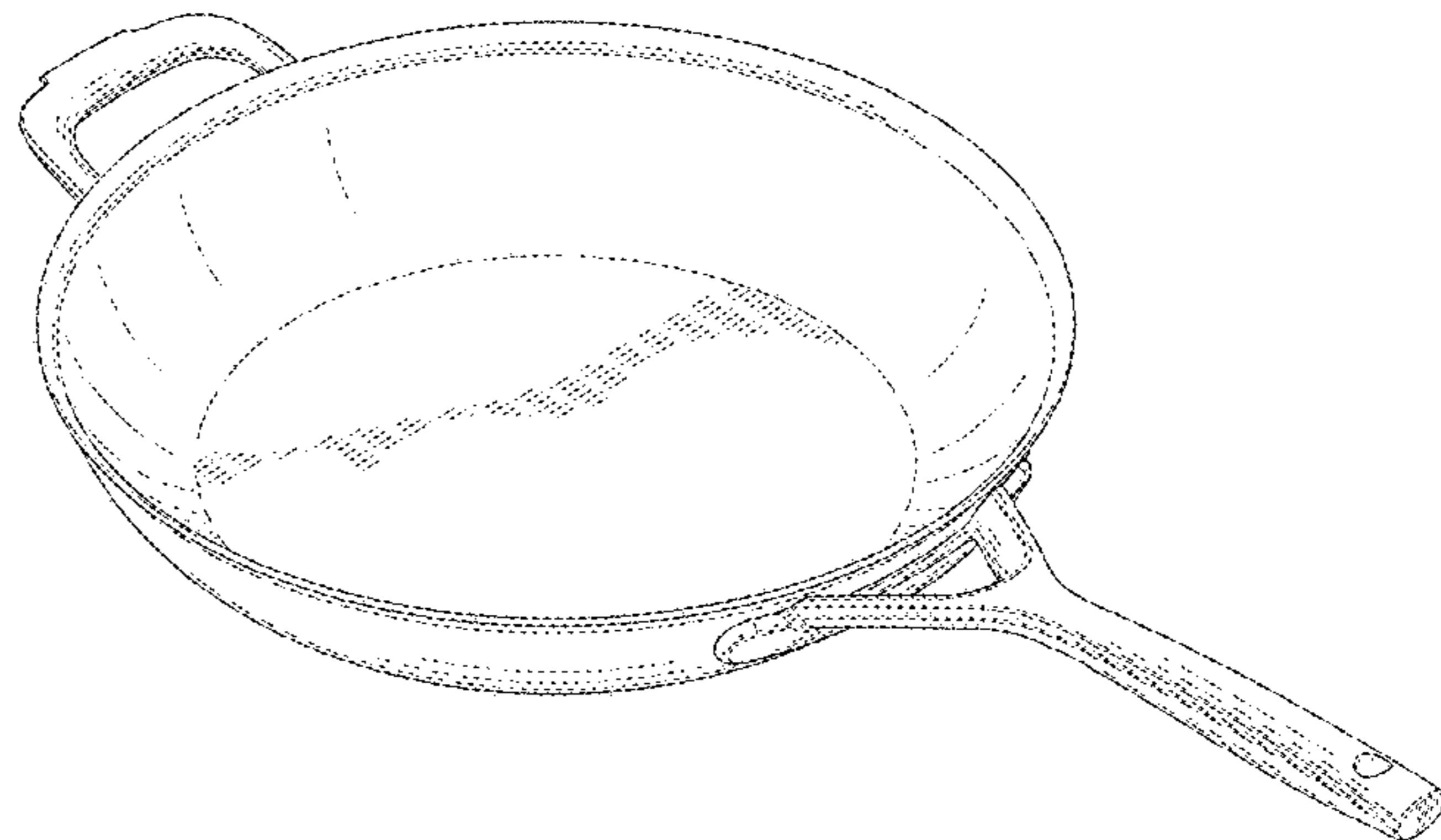
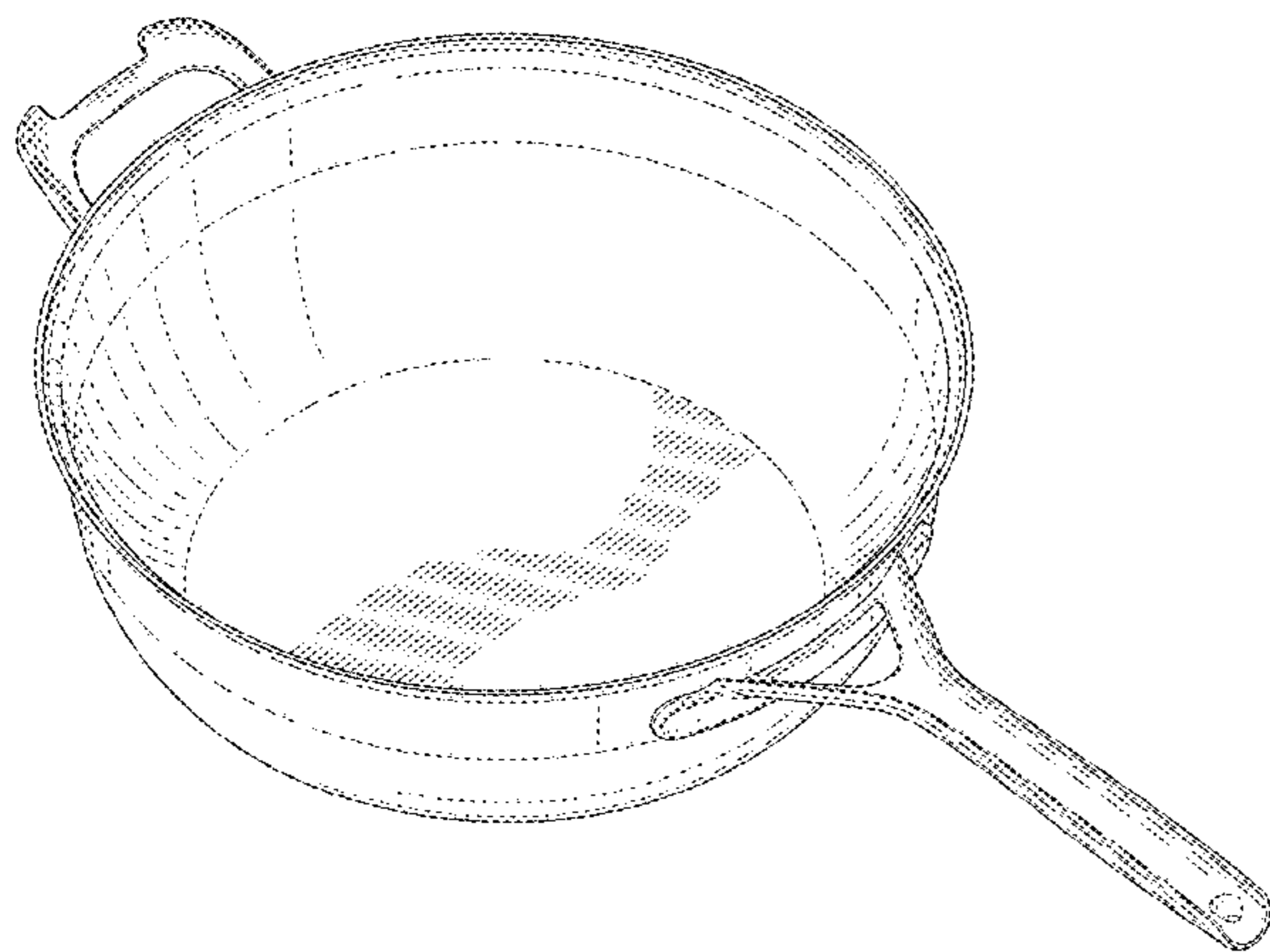


FIG. 26 is a top plan view thereof;
 FIG. 27 is a bottom plan view thereof;
 FIG. 28 is a bottom perspective view thereof;
 FIG. 29 is a top perspective view of another embodiment of the combinable cookware of FIG. 15 but differing in material finish of the visible surfaces;
 FIG. 30 is a right side view thereof, the left side view being a mirror image thereof;
 FIG. 31 is a rear view thereof;
 FIG. 32 is a front view thereof;
 FIG. 33 is a top plan view thereof;
 FIG. 34 is a bottom plan view thereof; and,
 FIG. 35 is a bottom perspective view thereof.
 The broken lines shown herein depict portions of the combinable cookware that form no part of the claimed design.

1 Claim, 30 Drawing Sheets

(58) Field of Classification Search

USPC D7/365, 366, 367, 402, 407, 409;
 D9/736, 749, 755, 758, 760, 456
 CPC .. A21B 3/00; A21B 3/13; A21B 3/131; A21B
 3/132; A21B 3/135; A21B 3/136; A21B
 3/137; A21B 3/15; A21B 5/00; A21B
 5/02; A21B 5/04; A47J 27/00; A47J
 36/00; A47J 36/02; A47J 36/06; A47J
 36/16; A47J 36/24; A47J 36/022; A47J
 36/027; A47J 37/00; A47J 37/01; A47J
 37/04; A47J 37/06; A47J 37/10; A47J
 37/07; A47J 37/0781; A47J 43/20

See application file for complete search history.

(56) References Cited

U.S. PATENT DOCUMENTS

D366,181 S * 1/1996 Rossiaud D7/361
 D370,826 S * 6/1996 Thurlow D7/360
 D373,286 S * 9/1996 Antonio D7/361
 D541,583 S * 5/2007 Morgan A47J 37/103
 D7/352
 D547,599 S * 7/2007 Gerlach D7/361
 D582,202 S * 12/2008 Gerlach D7/361
 D585,237 S * 1/2009 Gerlach D7/361
 D682,008 S * 5/2013 Shahani D7/352
 D693,168 S * 11/2013 Bart D7/352
 D696,060 S * 12/2013 Schleinzer D7/361
 D728,990 S * 5/2015 Torre D7/352
 D756,163 S * 5/2016 Gabbay D7/361
 D757,487 S * 5/2016 McConnell D7/395
 D757,488 S * 5/2016 McConnell D7/395
 D763,618 S * 8/2016 Feng D7/361

D783,338 S * 4/2017 Mirchandani D7/361
 D784,074 S * 4/2017 Courteaux D7/395
 D797,494 S * 9/2017 Mirchandani D7/361
 D819,393 S * 6/2018 Dodane D7/361
 D823,635 S * 7/2018 Gabbay D7/361
 D825,255 S * 8/2018 Mirchandani D7/361
 D829,490 S * 10/2018 Dhirmalani D7/361
 D834,875 S * 12/2018 Feng D7/361
 D849,470 S * 5/2019 Hollinger D7/395
 D852,576 S * 7/2019 Jamison D7/395
 D879,546 S * 3/2020 Hollinger D7/361
 D880,222 S * 4/2020 Hollinger D7/361
 D883,731 S * 5/2020 Tsai D7/359
 D885,820 S * 6/2020 Girdaukas D7/361
 D887,196 S * 6/2020 Katz D7/354
 D889,901 S * 7/2020 Cheng D7/354
 2007/0068955 A1 * 3/2007 Tetreault A47J 37/101
 220/573.1
 2008/0087673 A1 * 4/2008 Cheng A47J 37/108
 220/573.1
 2015/0083711 A1 * 3/2015 Moon A47J 27/002
 219/621
 2020/0237162 A1 * 7/2020 Huang A47J 45/071

OTHER PUBLICATIONS

The Proclamation Duo Was Designed to Cook the World of Cuisines With Just a Few Pieces, announced Feb. 22, 2020 [online], retrieved Oct. 2, 2020, retrieved from internet, <https://www.yankodesign.com/2020/02/22/the-2-piece-proclamation-duo-was-designed-to-replace-90-of-your-cookware/>.*

Le Creuset Multifunction Pan, announced Apr. 5, 2017 [online], retrieved Oct. 2, 2020, retrieved from internet, <https://www.surlatable.com/le-creuset-cherry-two-in-one-pan/2818060.html>.*

“Amazon.com: Cuisinart Frittata 10-Inch Nonstick Pan Set—Black: Omelet Pans: Kitchen & Dining”, Feb. 13, 2012. Retrieved from the Internet: <https://www.amazon.com/Cuisinart-FP2-24BK-Frittata-10-Inch-Nonstick/dp/B0078P9D58> [Retrieved on Oct. 28, 2020].

“Amazon.com: Pre-Seasoned Cast Iron 2-In-1 Multi Cooker—3-Quart Dutch Oven and Skillet Lid Set Oven Safe Cookware—Use as Dutch Oven and Frying Pan—Indoor and Outdoor Use—Grill, Stovetop, Induction Safe: Kitchen & Dining”, Oct. 23, 2017. Retrieved from the Internet: https://www.amazon.com/Pre-Seasoned-3-Quart-Cookware-Stovetop-Induction/dp/B076PR8LT5/ief=bmx_2/144-3166459-9798666?_encoding=UTF8&pd_rd_i=B076PR8LT5&pd_rd_i=87f8eb25-4149-4ff9-8ff1-365101311083&pd_rd_w=RSYHW&pd_rd_wg=ao9BY&pf_rd_p=71942c24-4653-425e-932e-3a086a4cdb3a&pf_rd_r=TM8EZA3VCN7KF7K0VV3H&pa [Retrieved on Oct. 28, 2020].

“Ico Outdoor Camping Sandwich Toaster, No. Power Required: Amazon.de: Küche & Haushalt”, Apr. 12, 2016. Retrieved from the Internet: https://www.amazon.de/-/en/Outdoor-Camping-Sandwich-Toaster-Required/dp/B01B5OZC7C/ref=sr_1_5?dchild=1&keywords=sandwich+pflanne&qid=1603958537&sr=8-5 [Retrieved on Oct. 29, 2020].

* cited by examiner

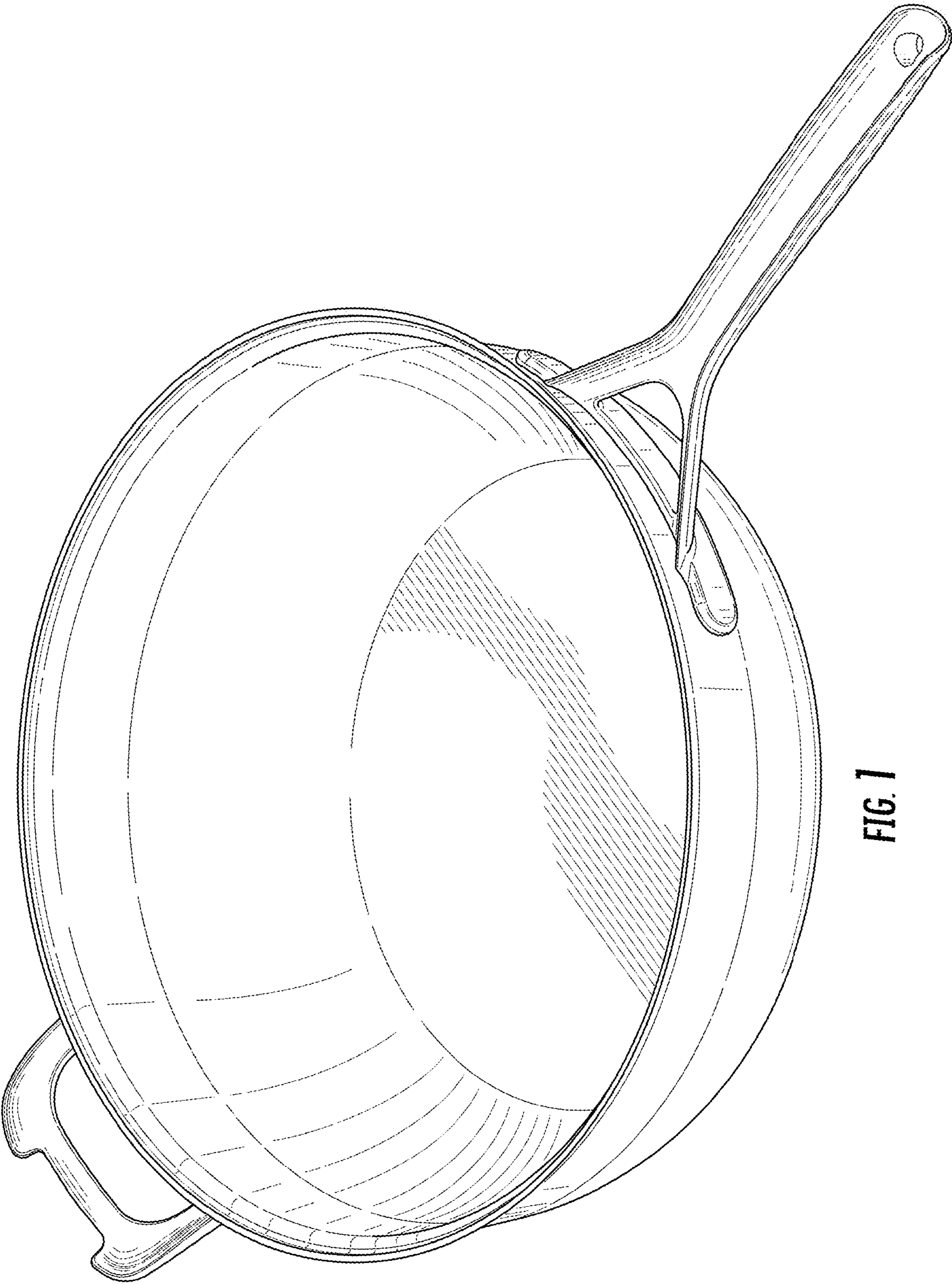


FIG. 1

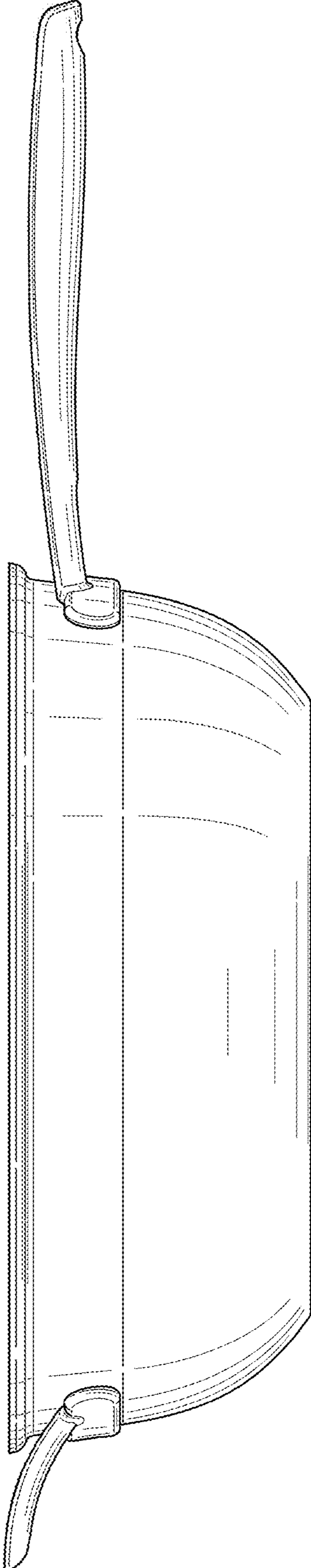


FIG. 2

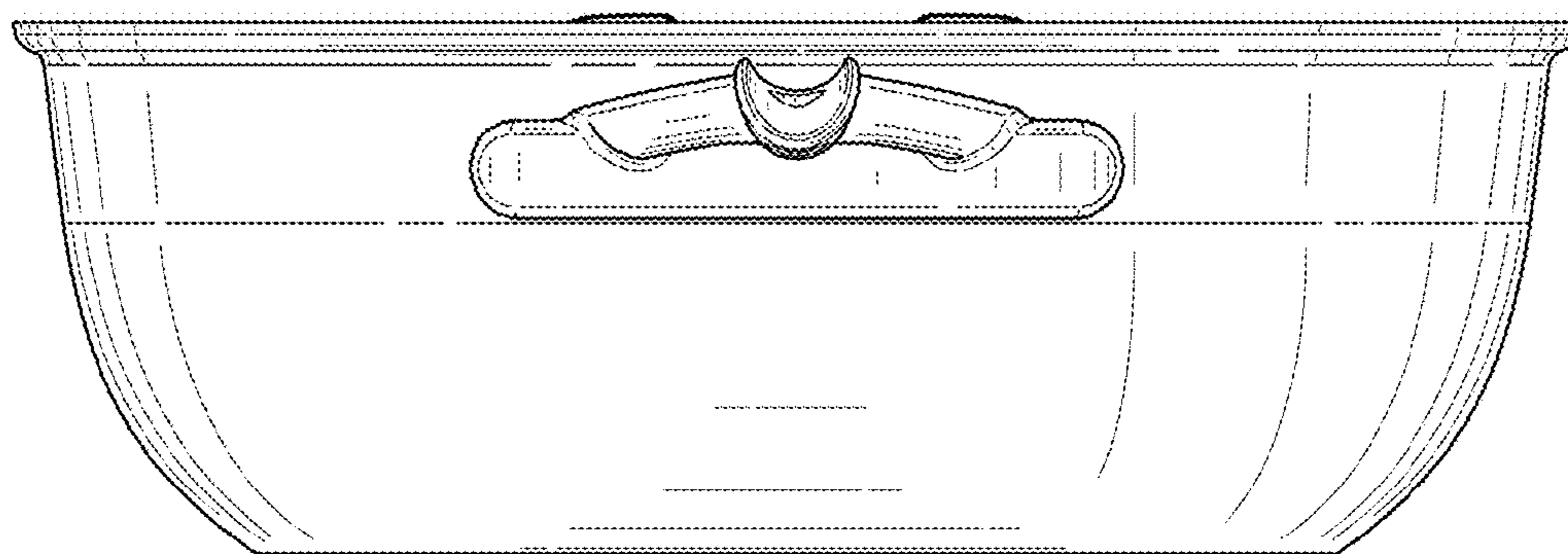


FIG. 3

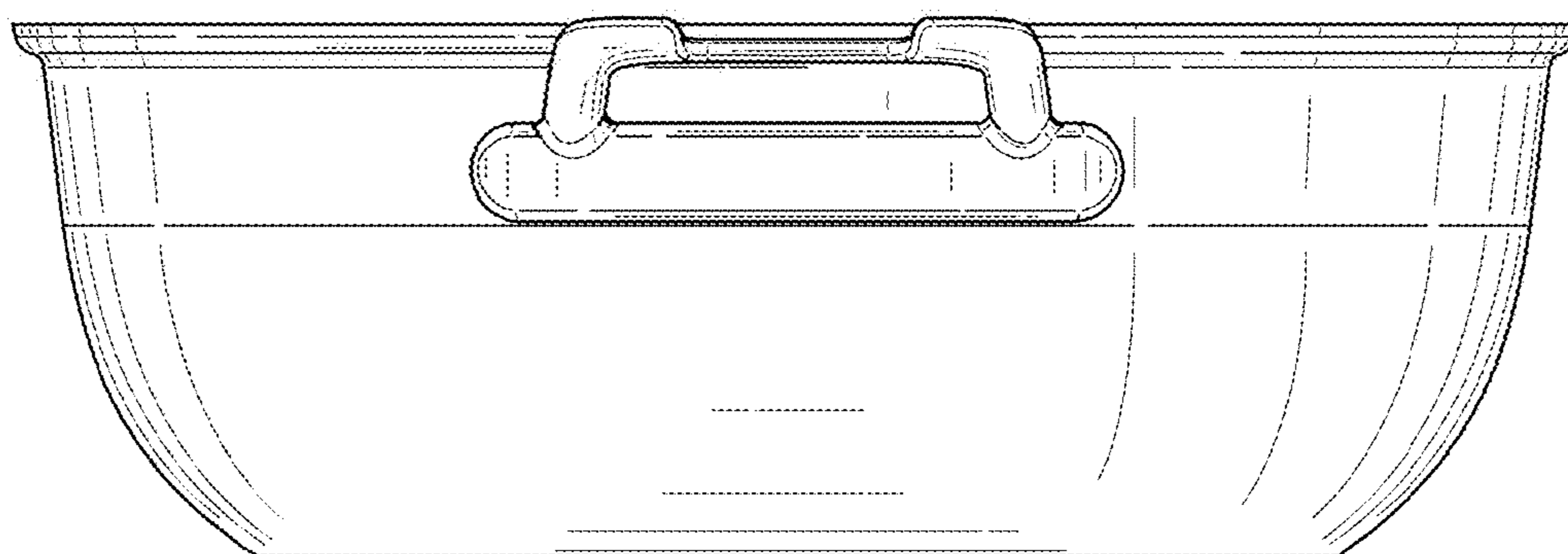


FIG. 4

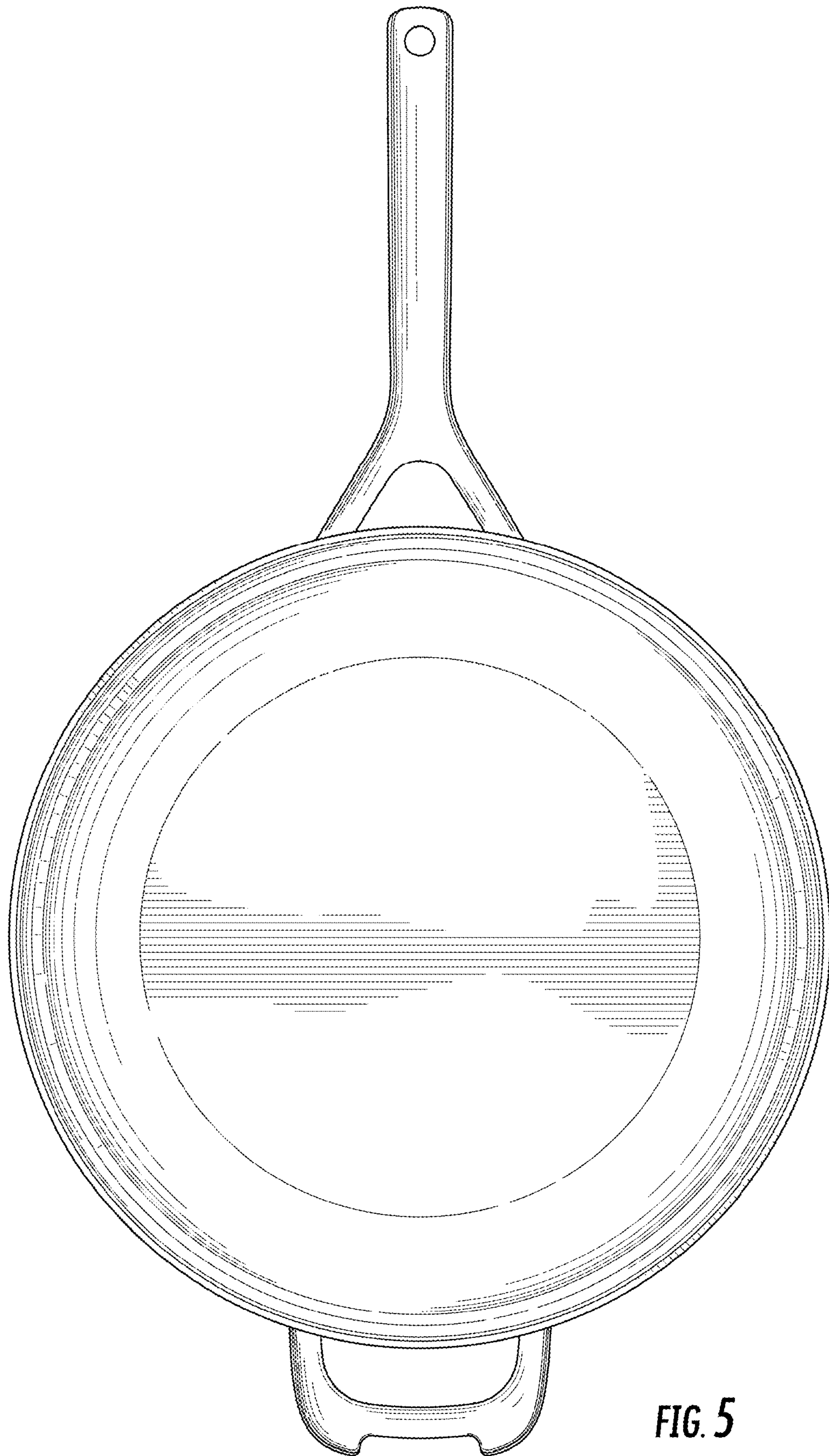


FIG. 5

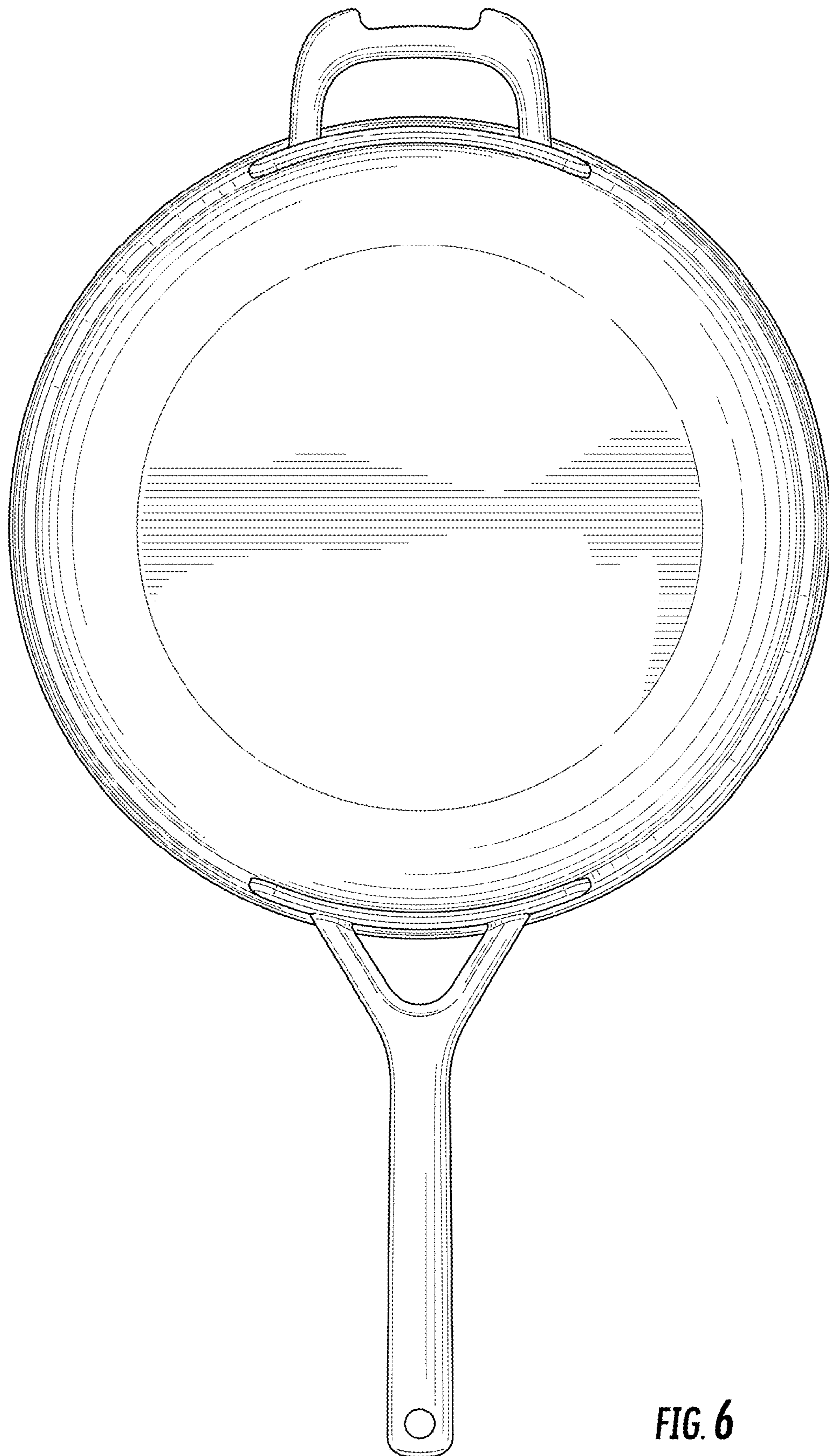


FIG. 6

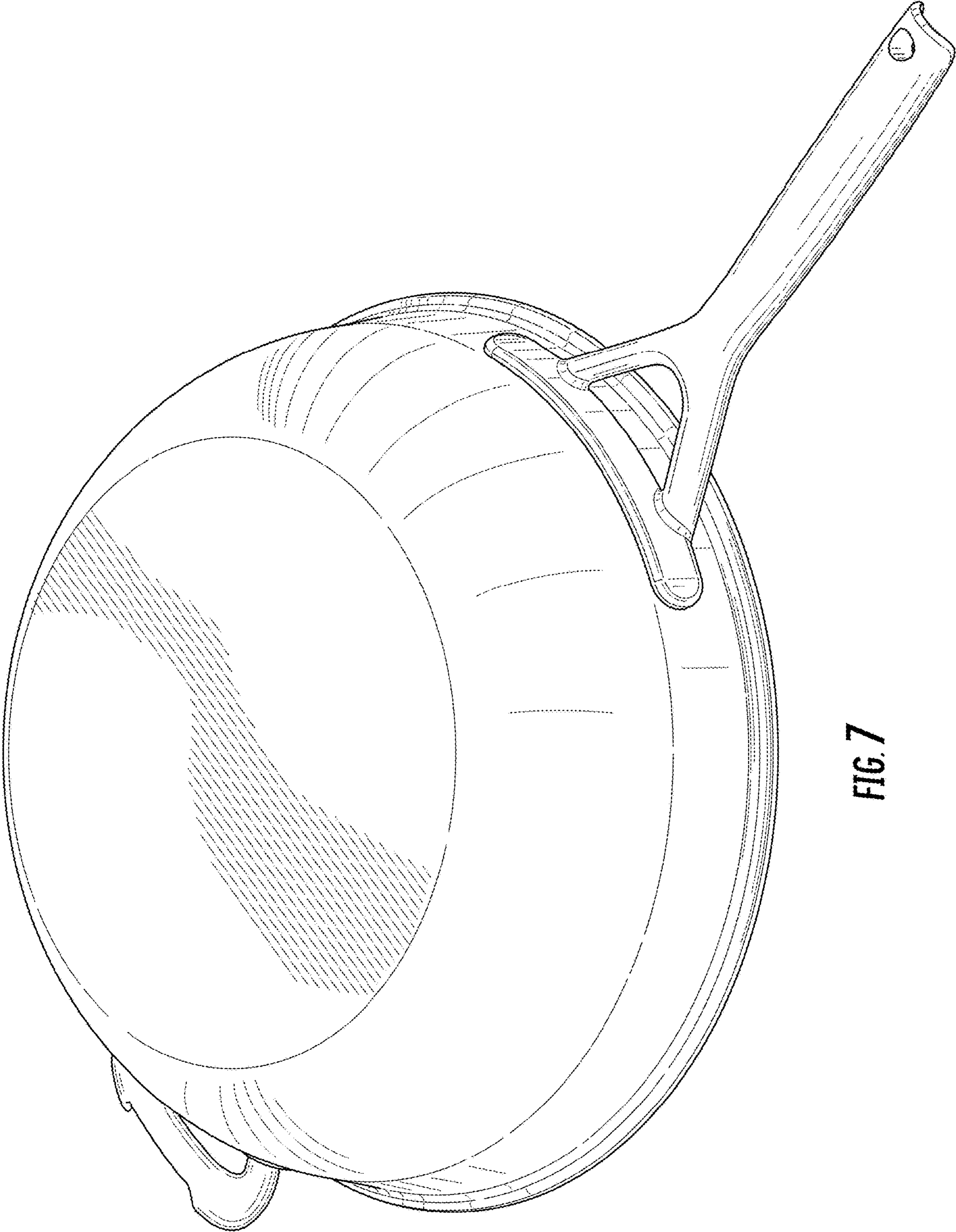


FIG. 7

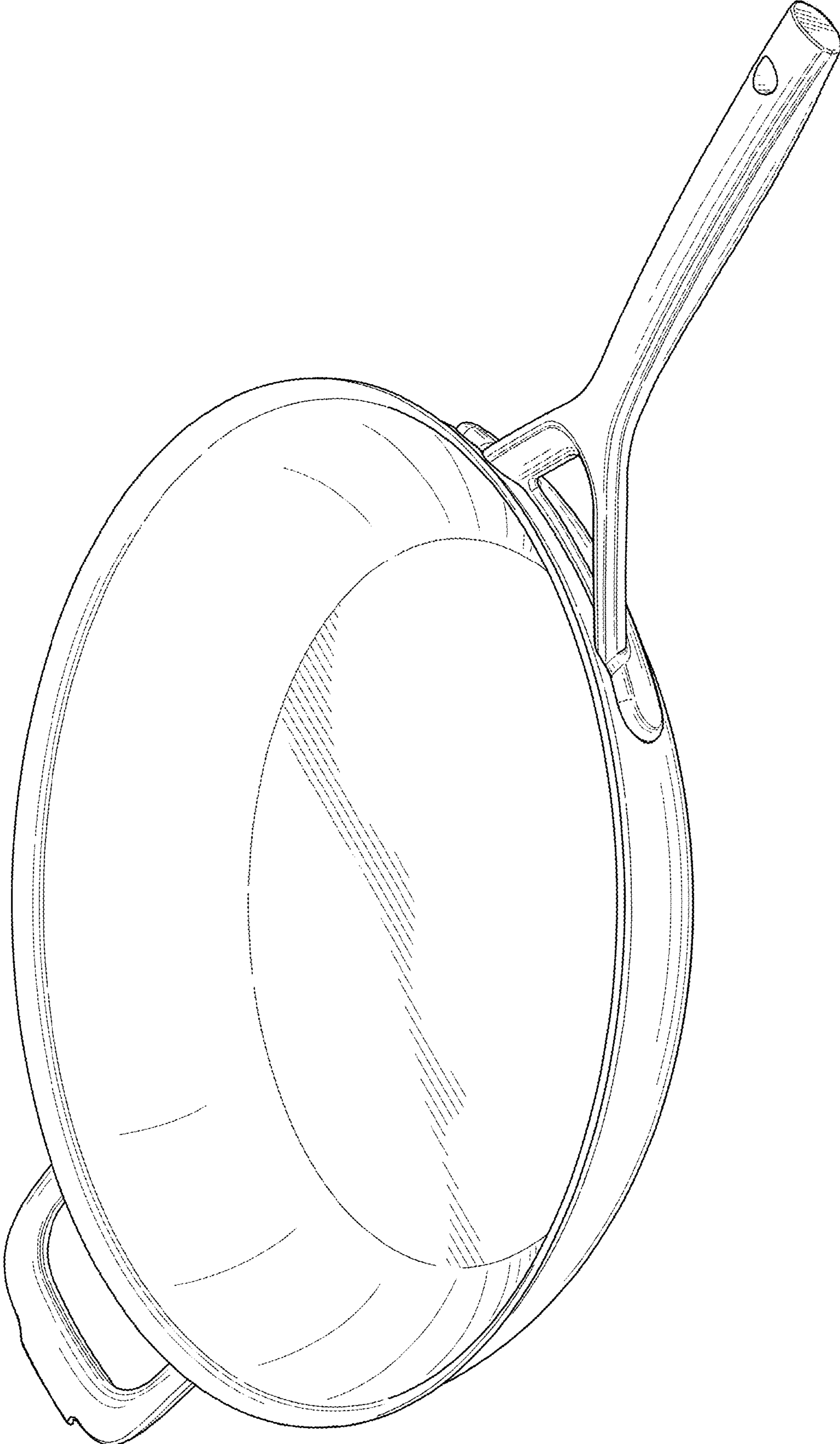


FIG. 8

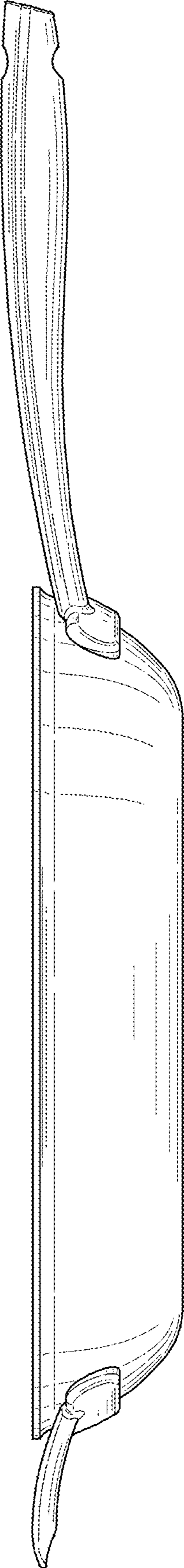


FIG. 9

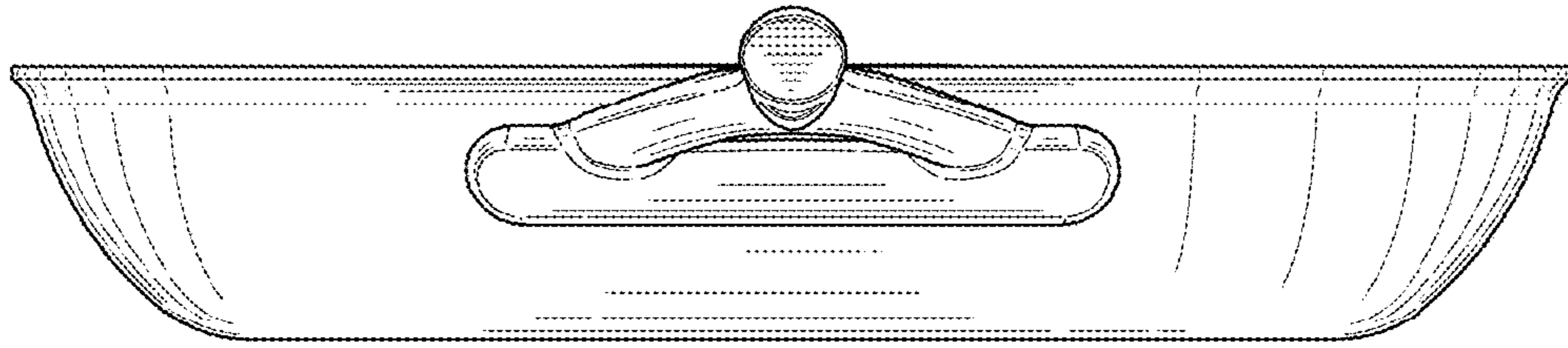


FIG. 10

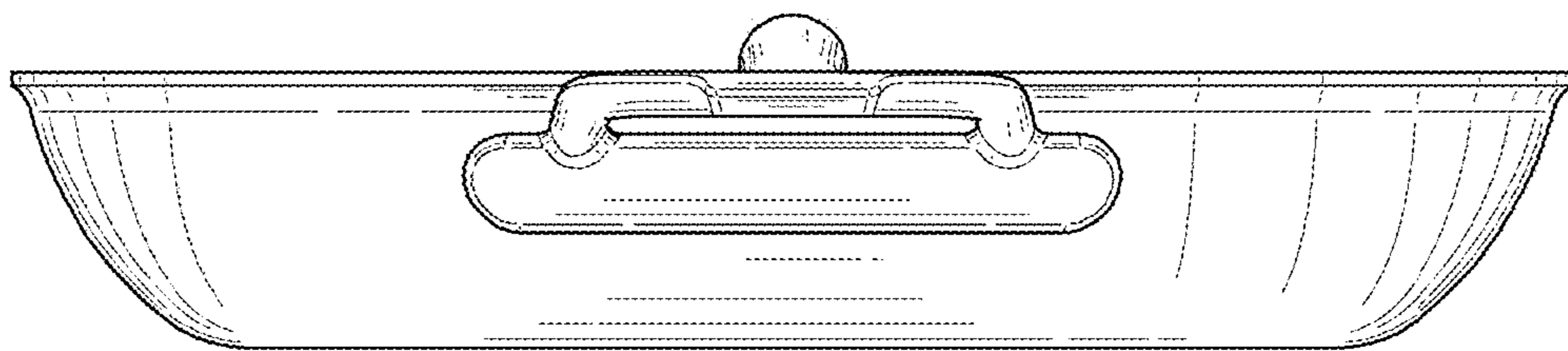


FIG. 11

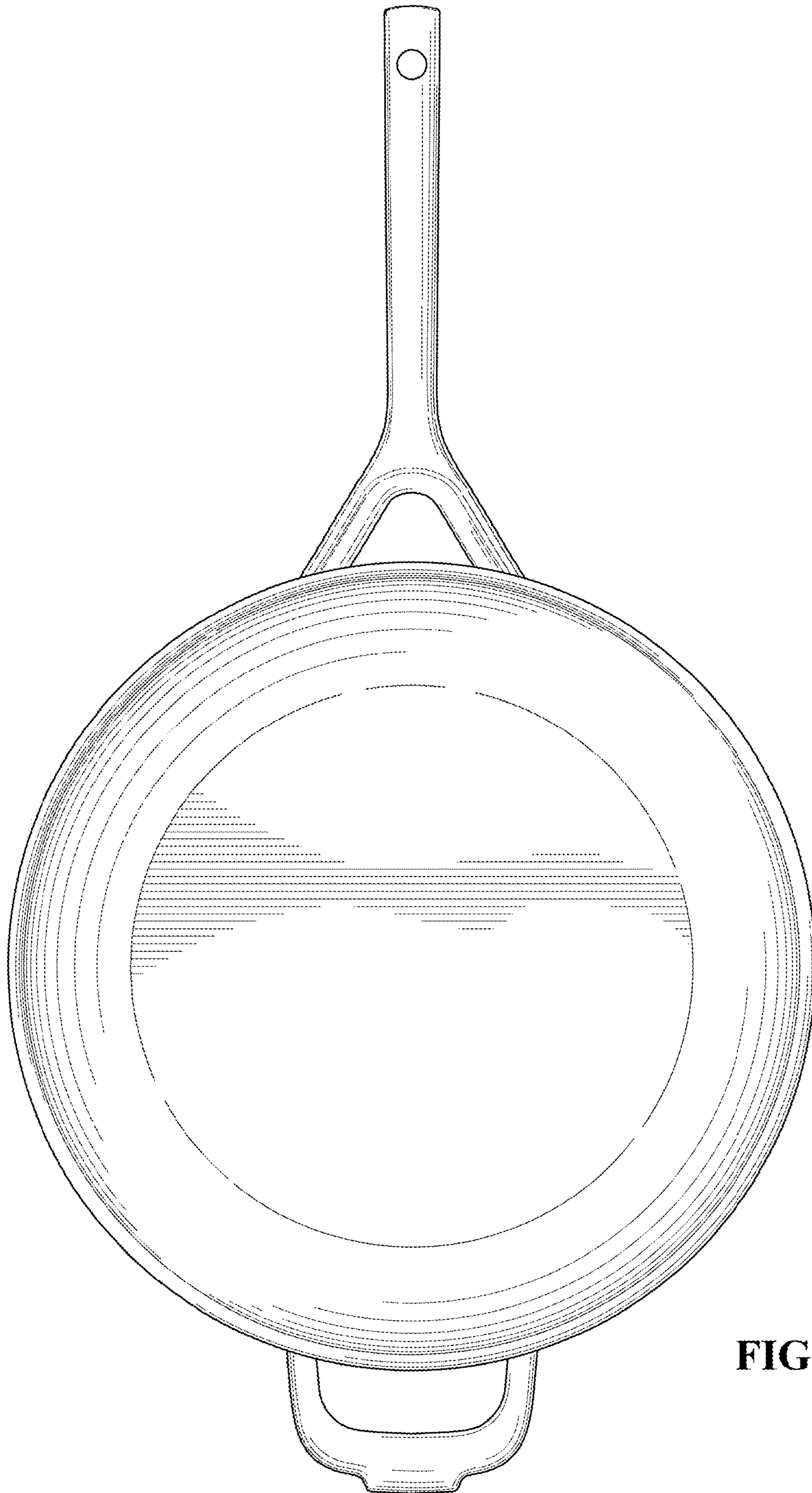


FIG. 12

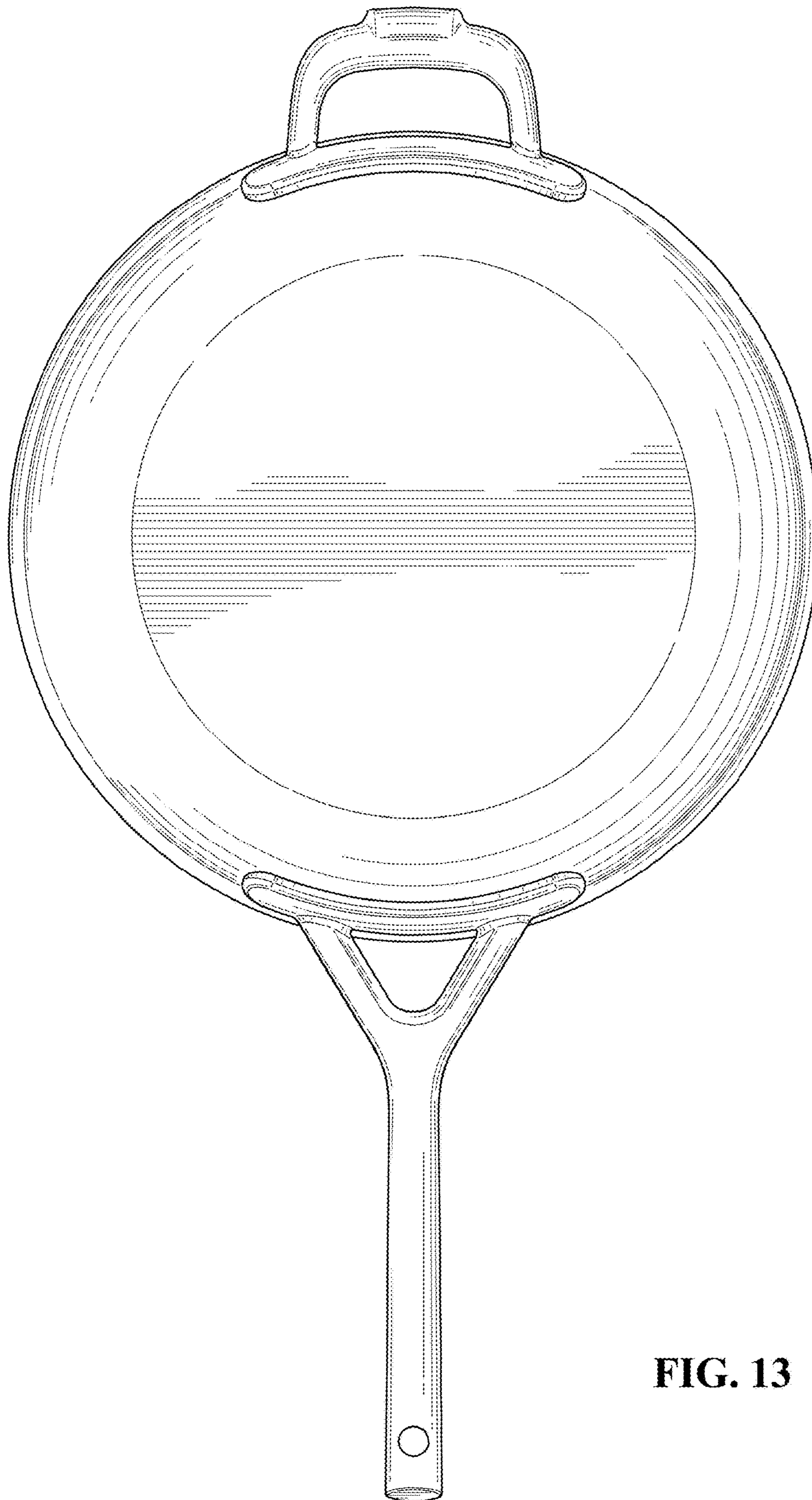


FIG. 13

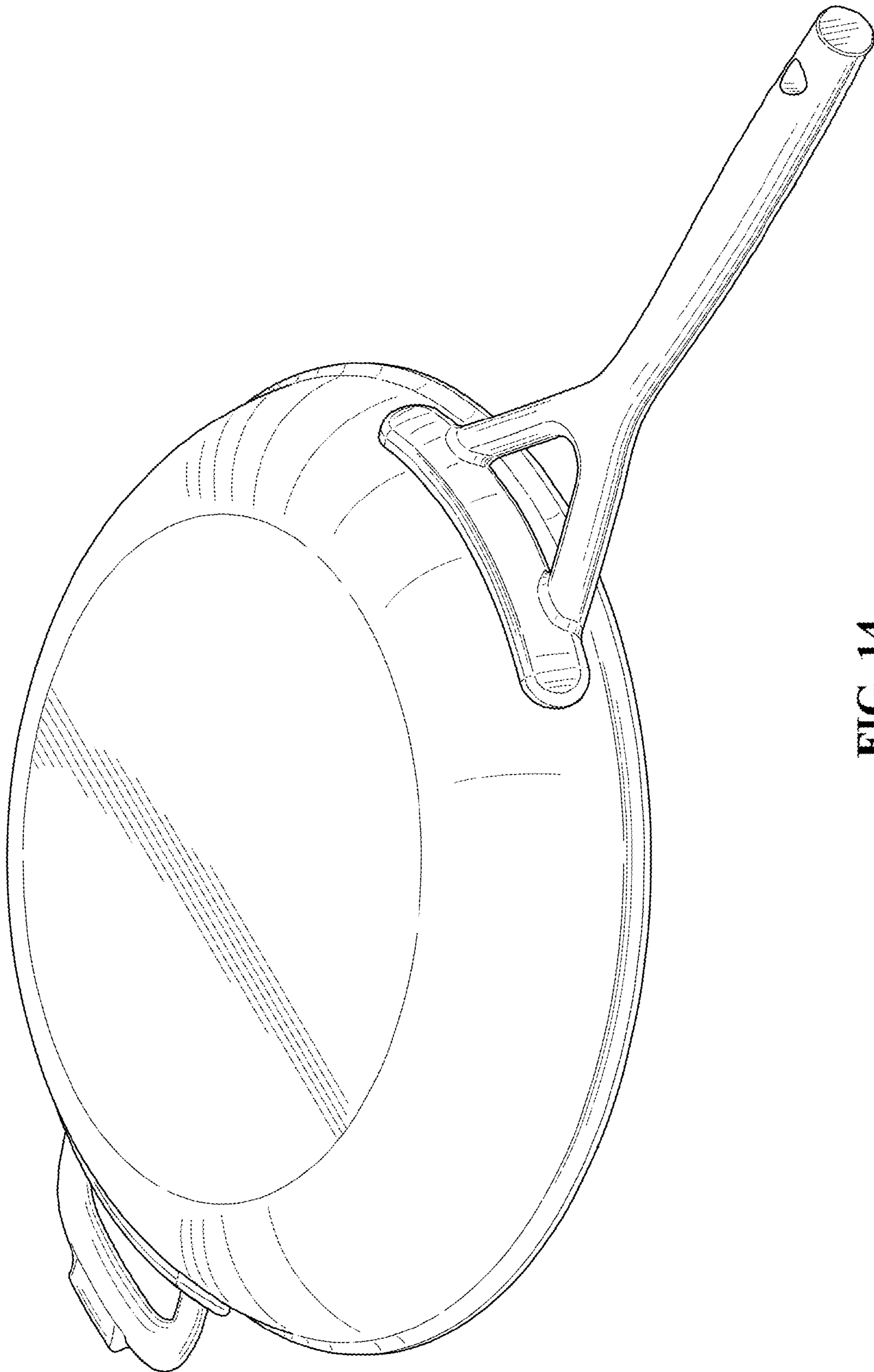


FIG. 14

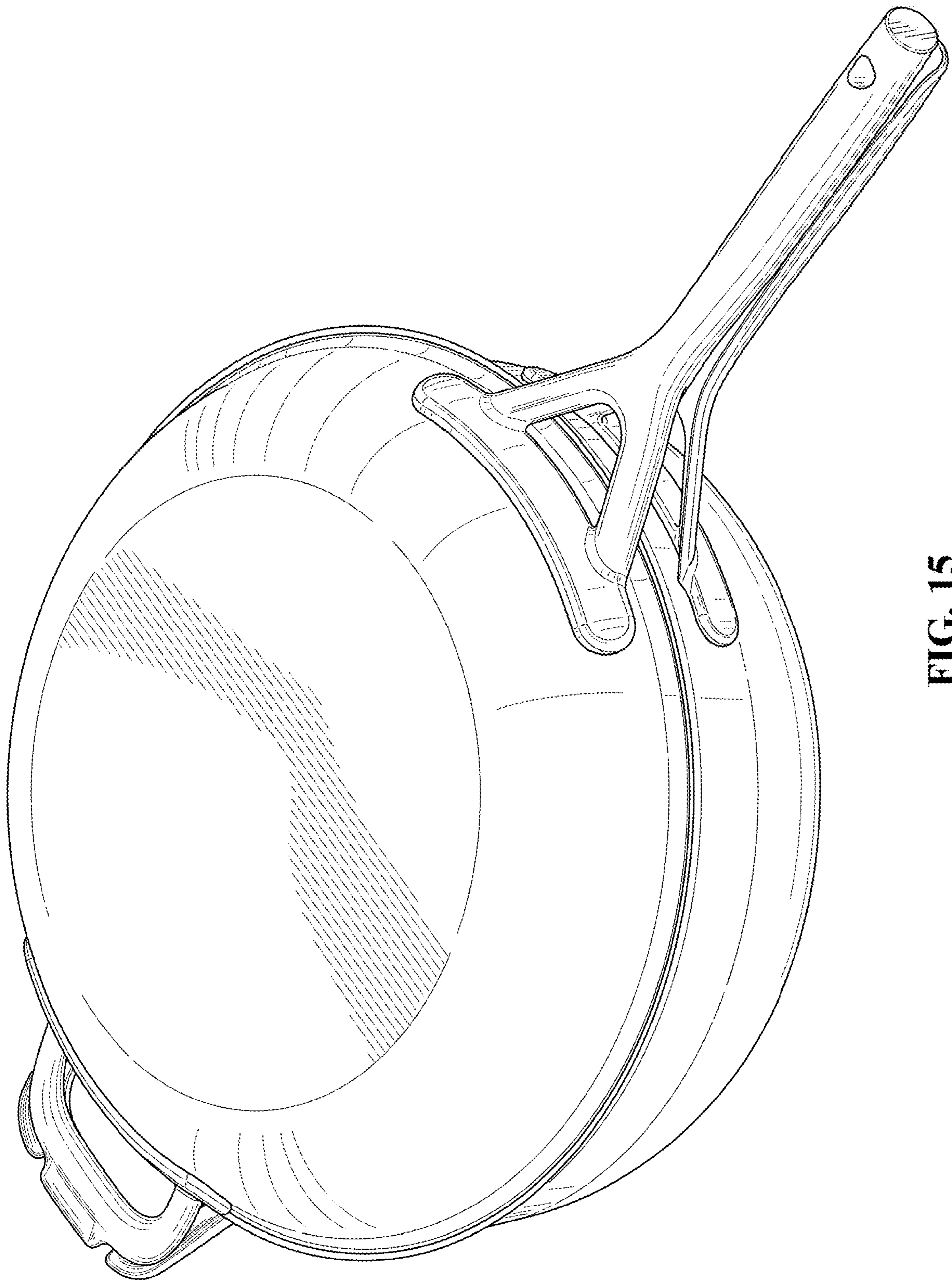


FIG. 15

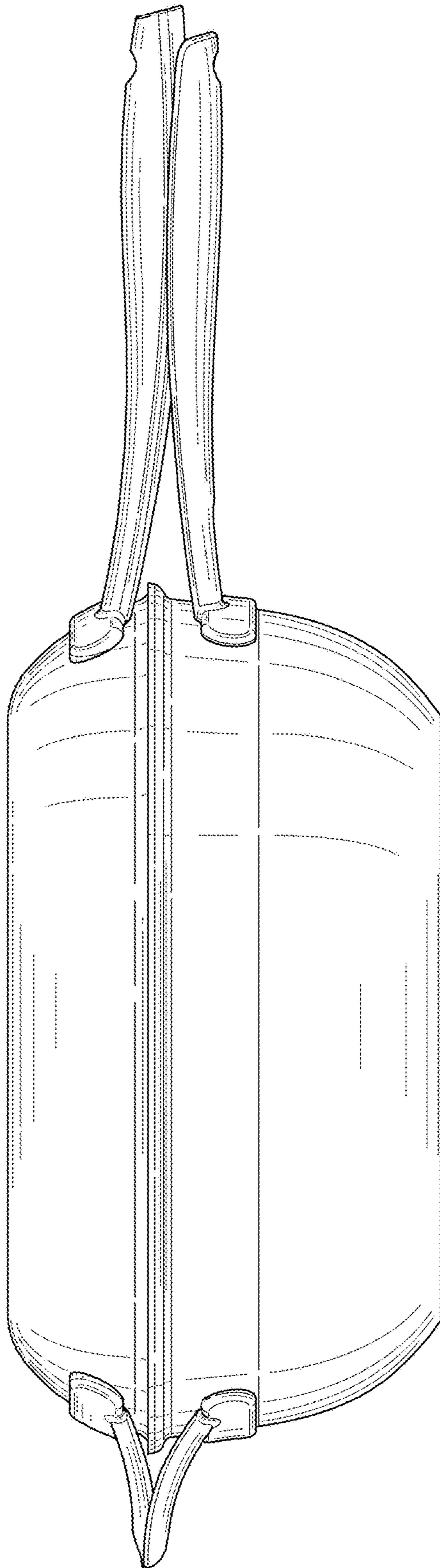


FIG. 16

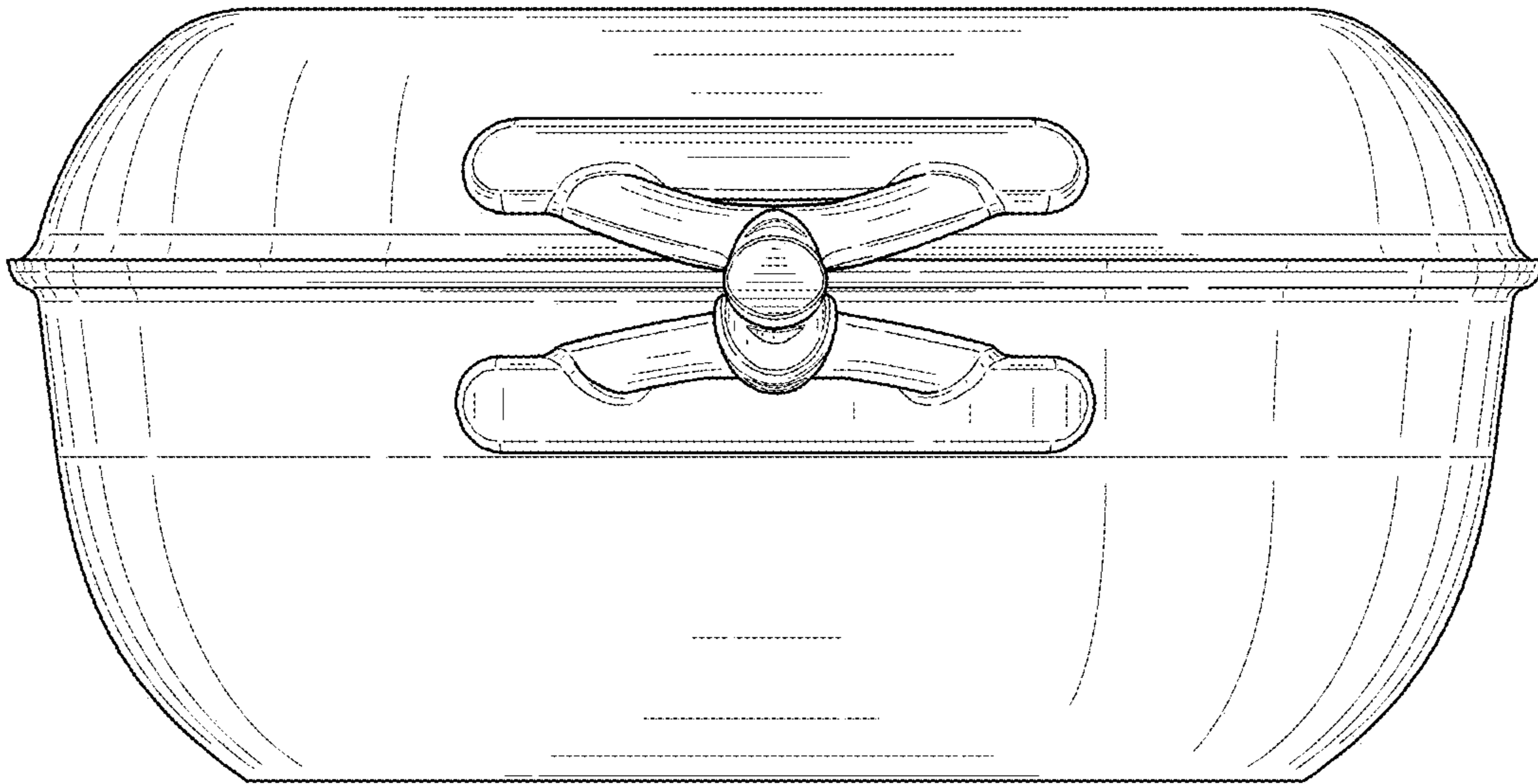


FIG. 17

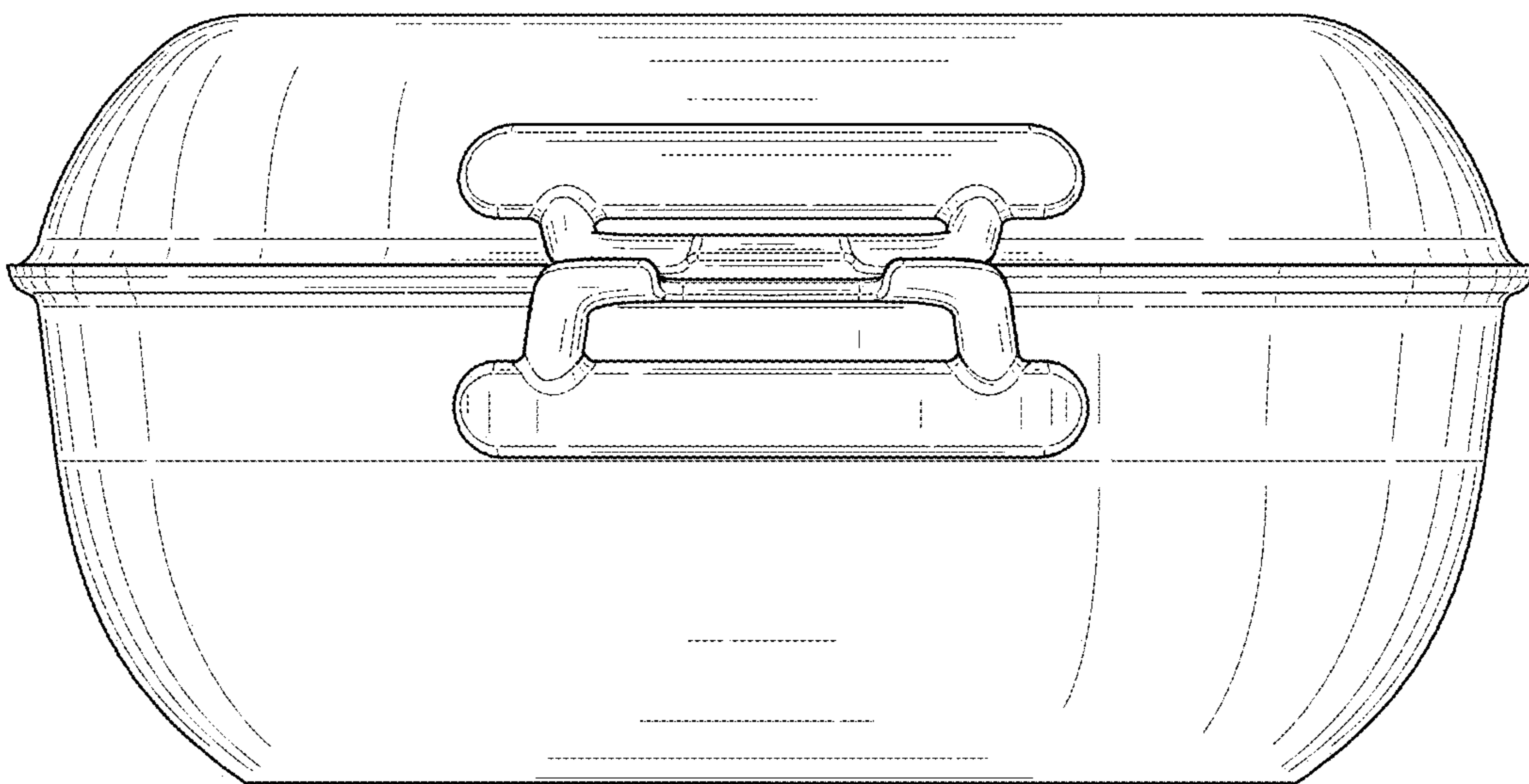


FIG. 18

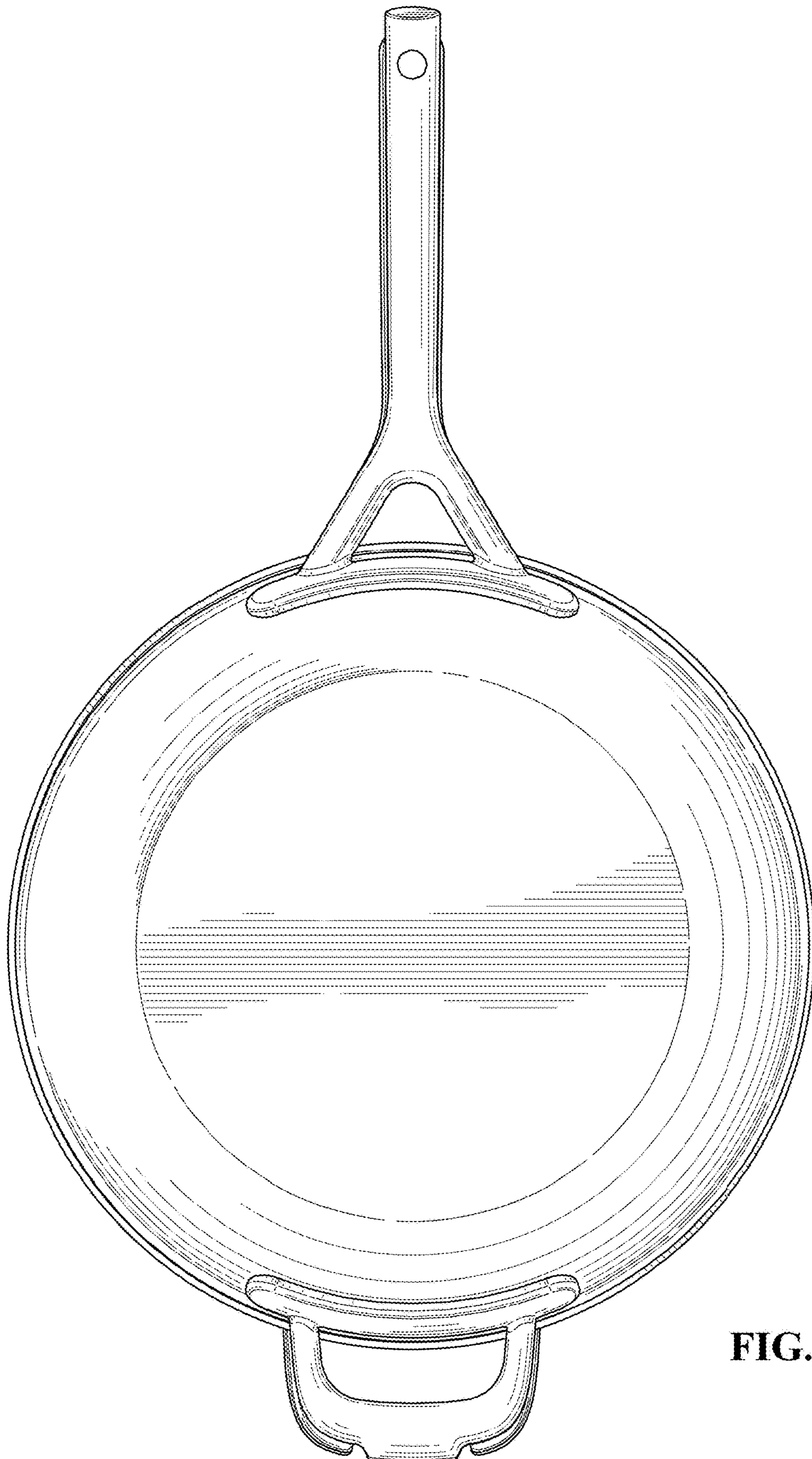


FIG. 19

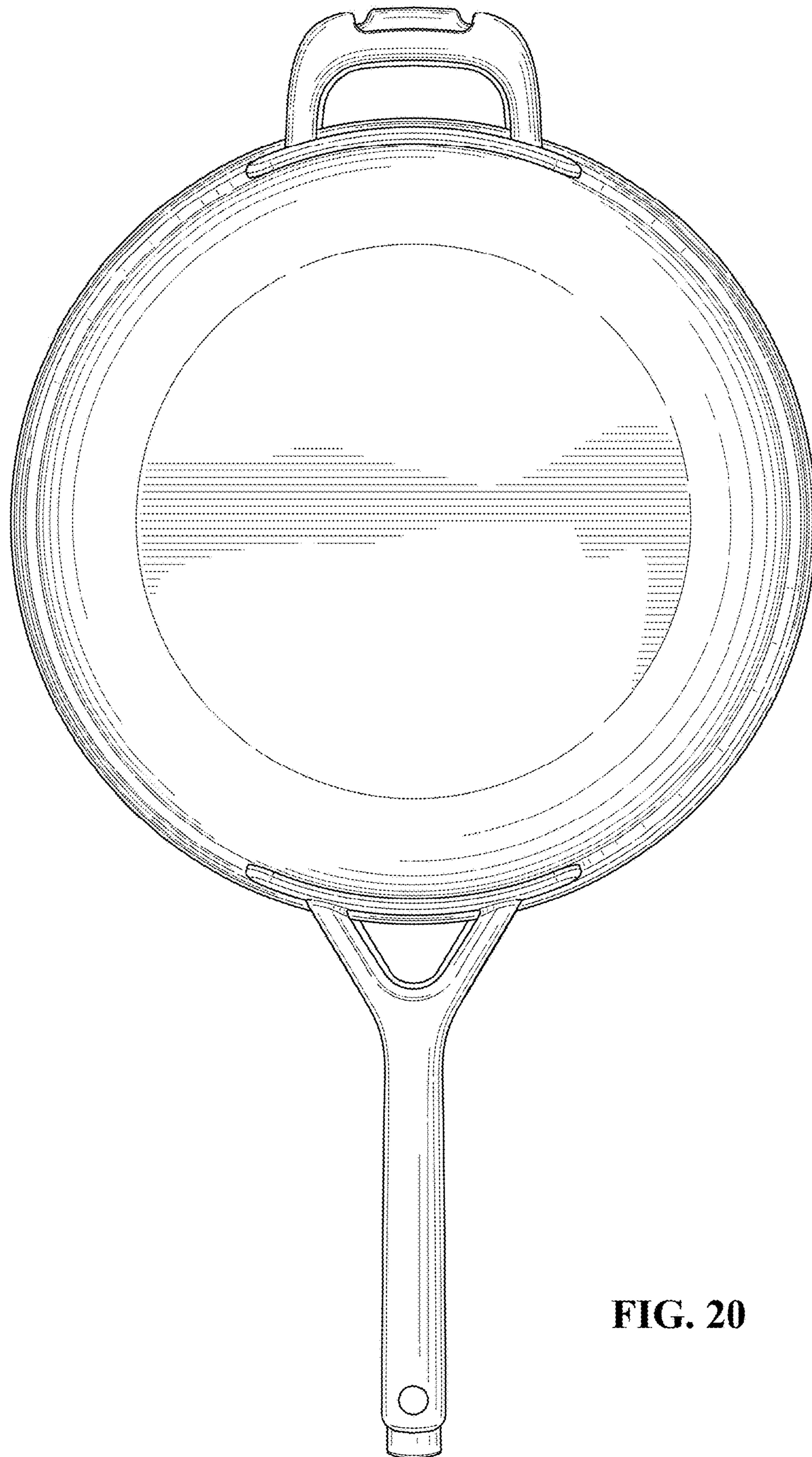


FIG. 20

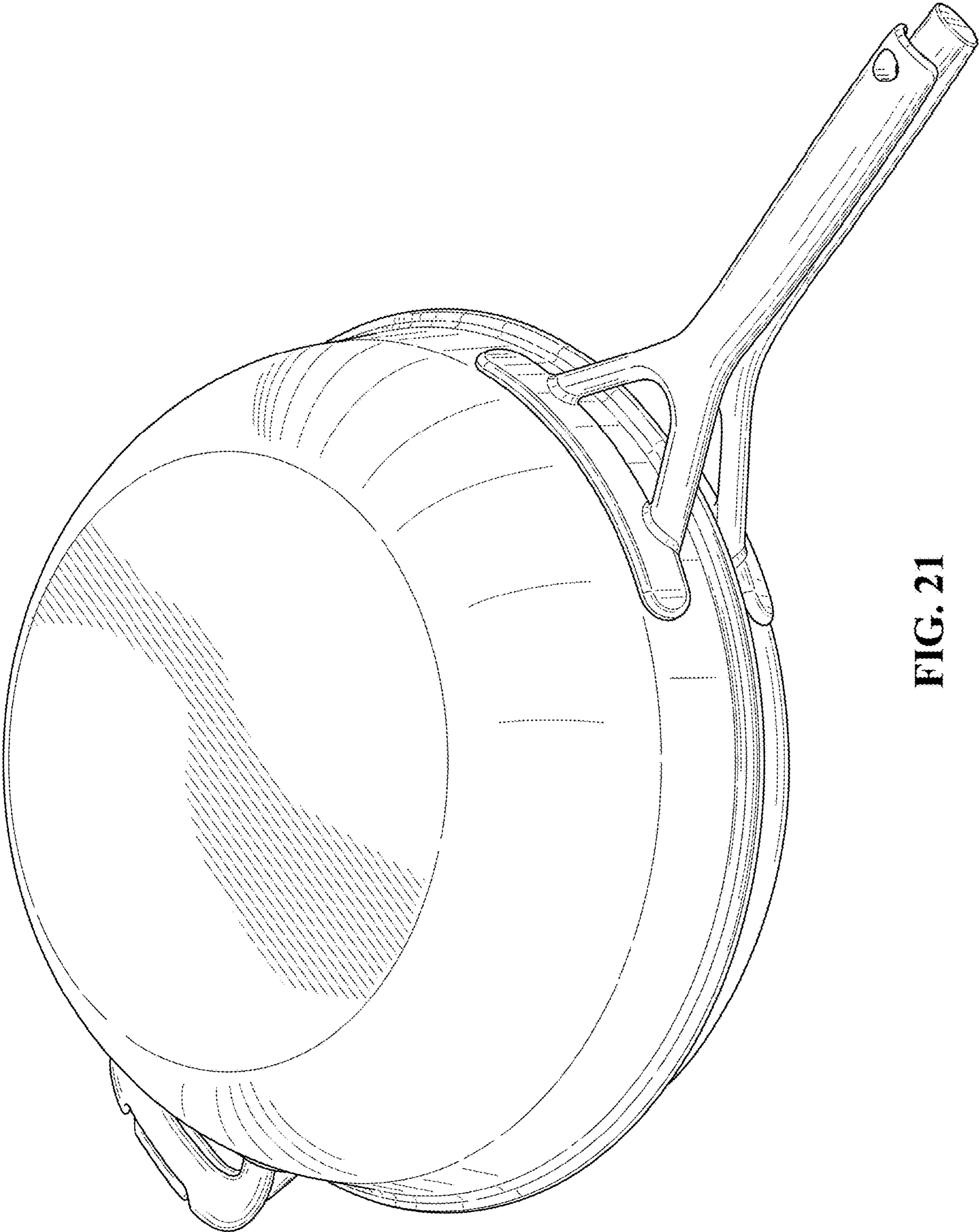


FIG. 21

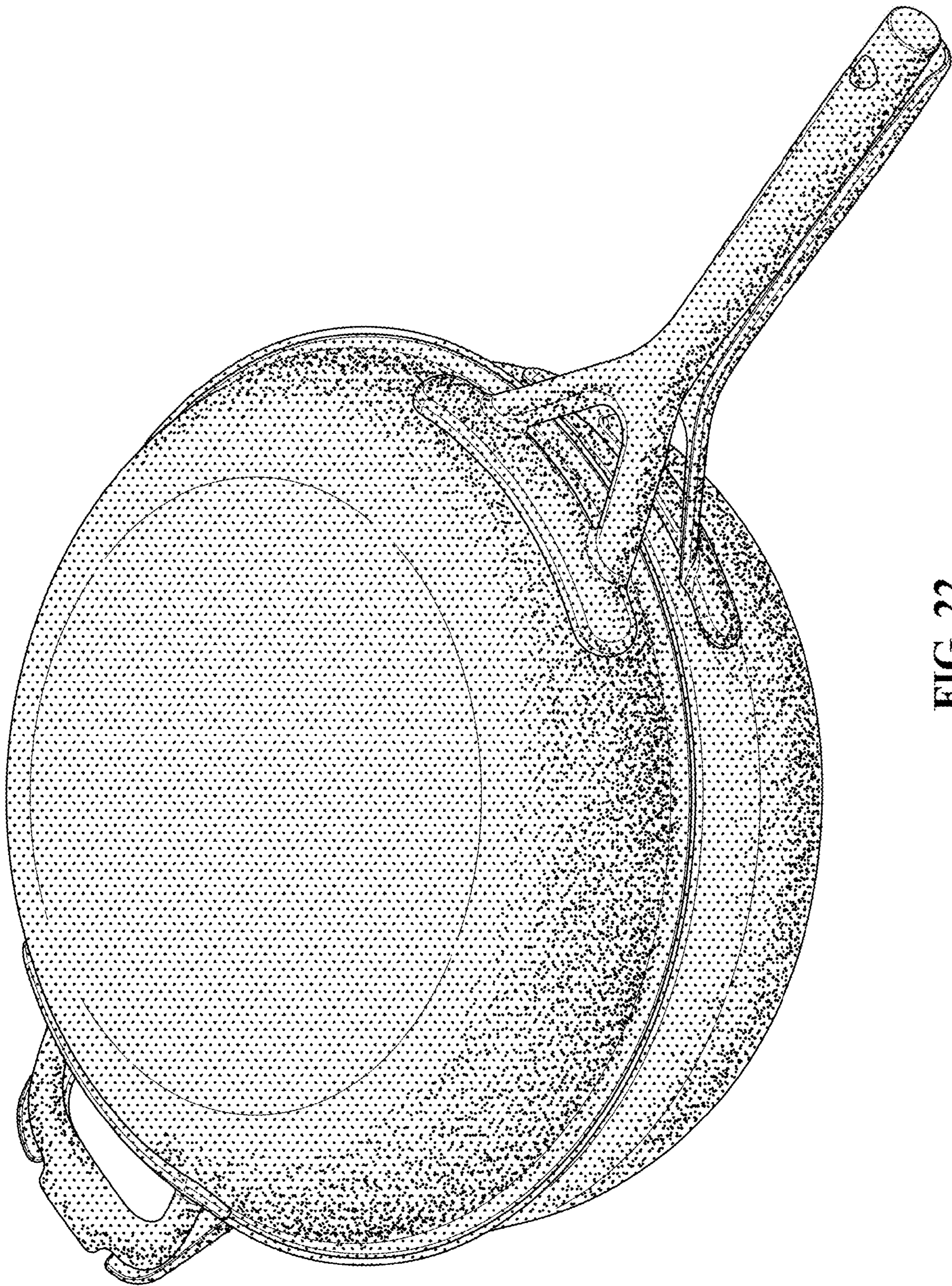


FIG. 22

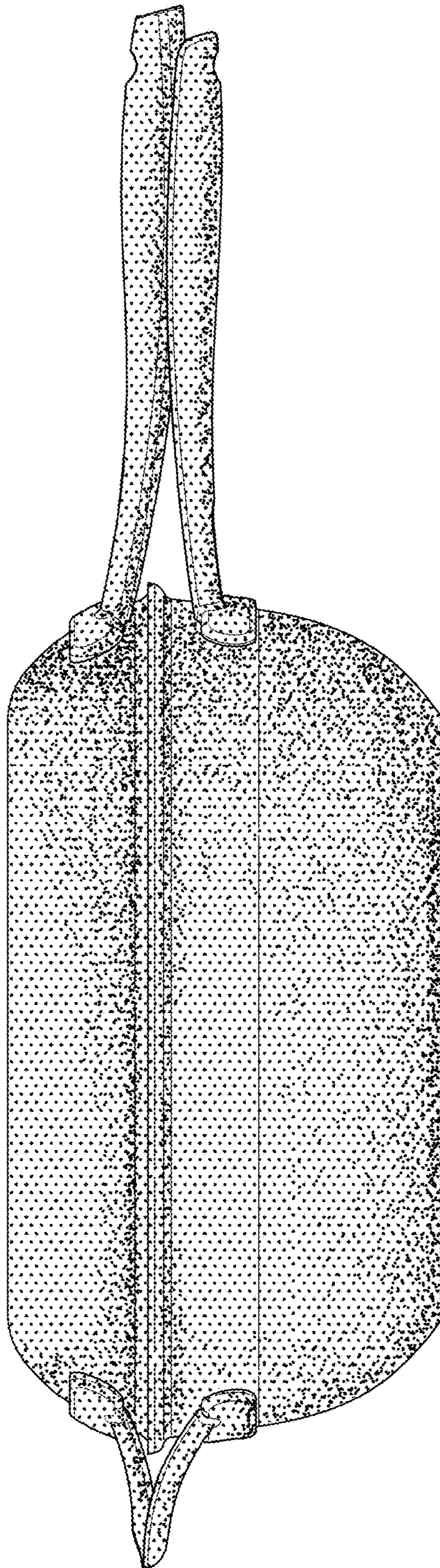


FIG. 23

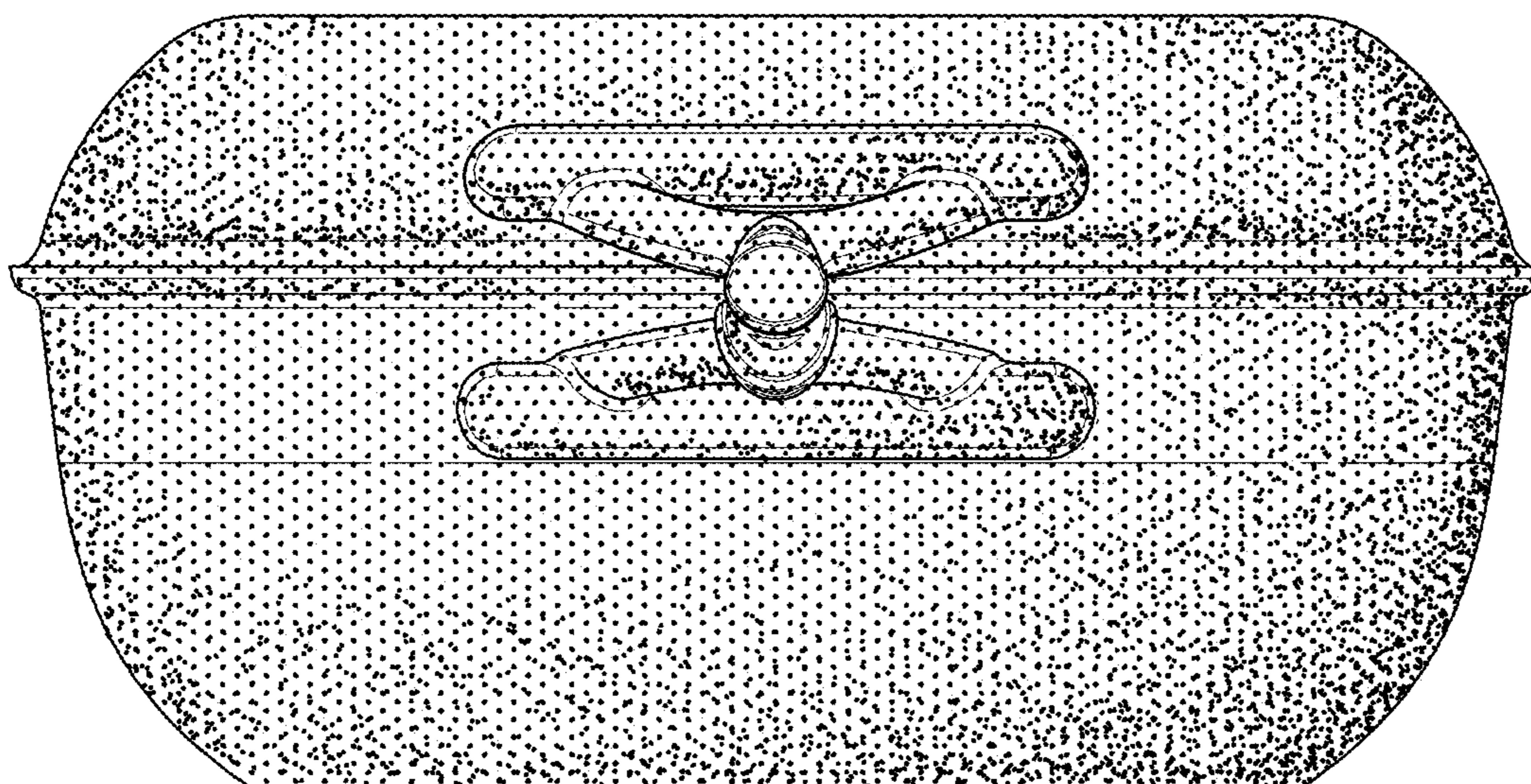


FIG. 24

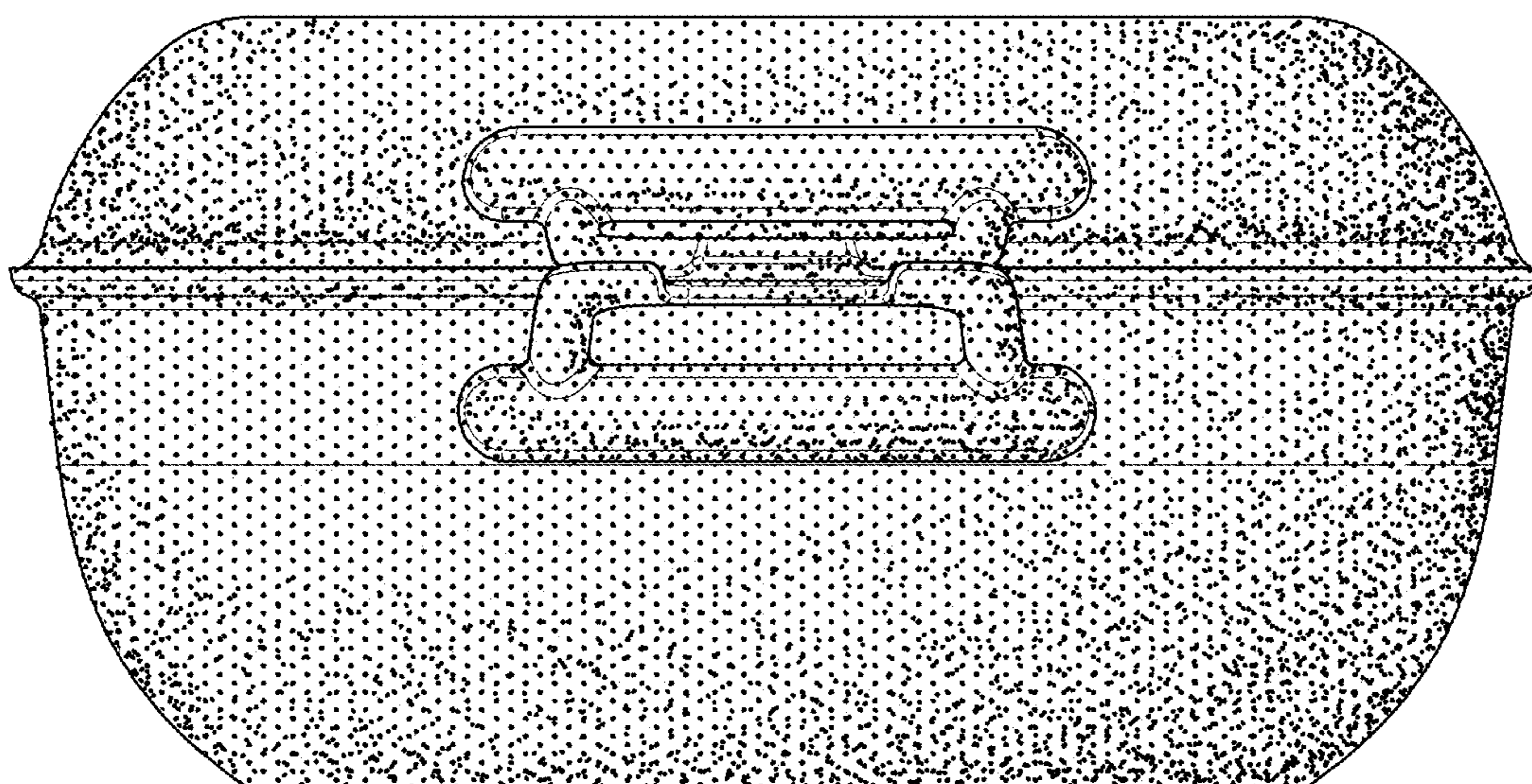


FIG. 25

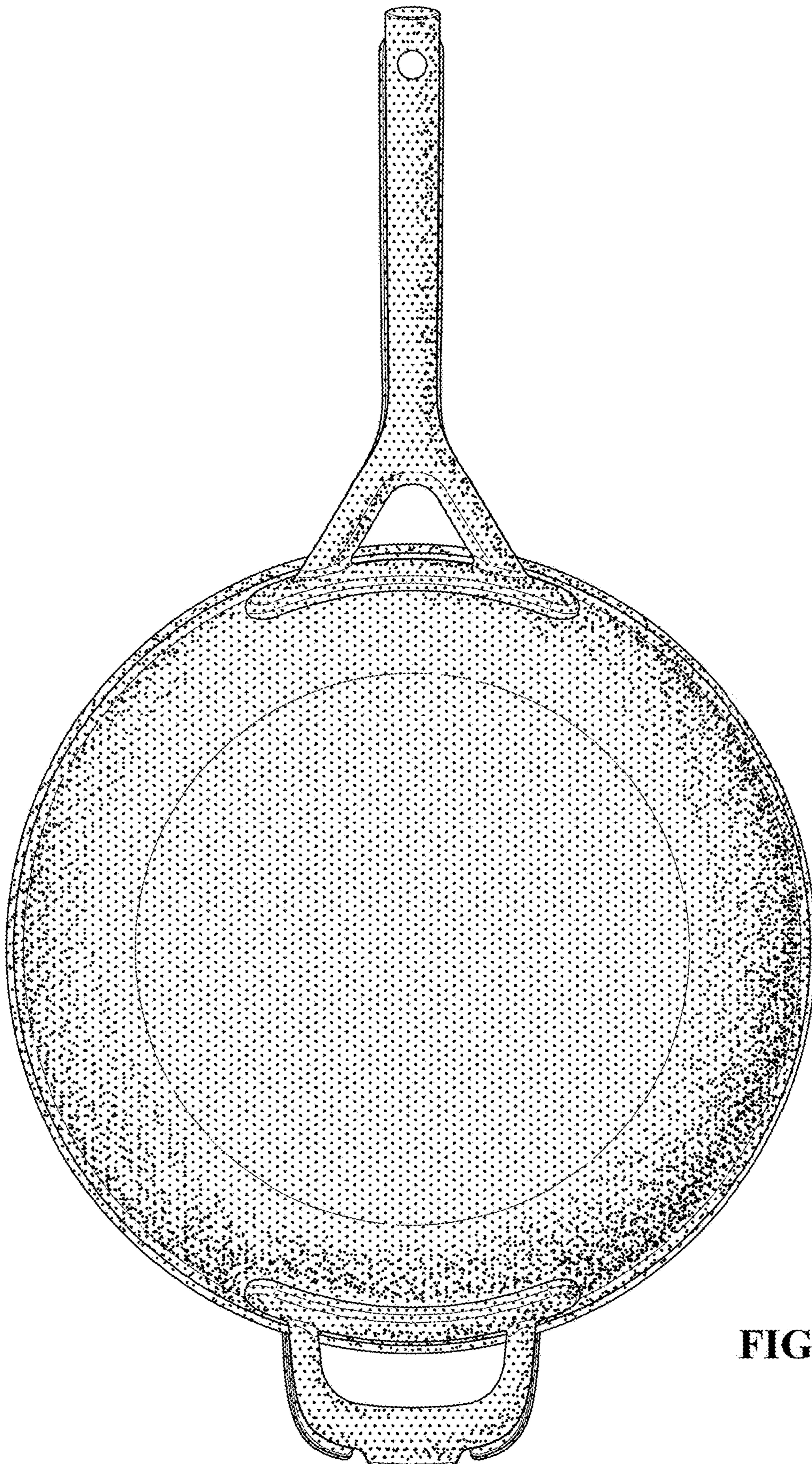


FIG. 26

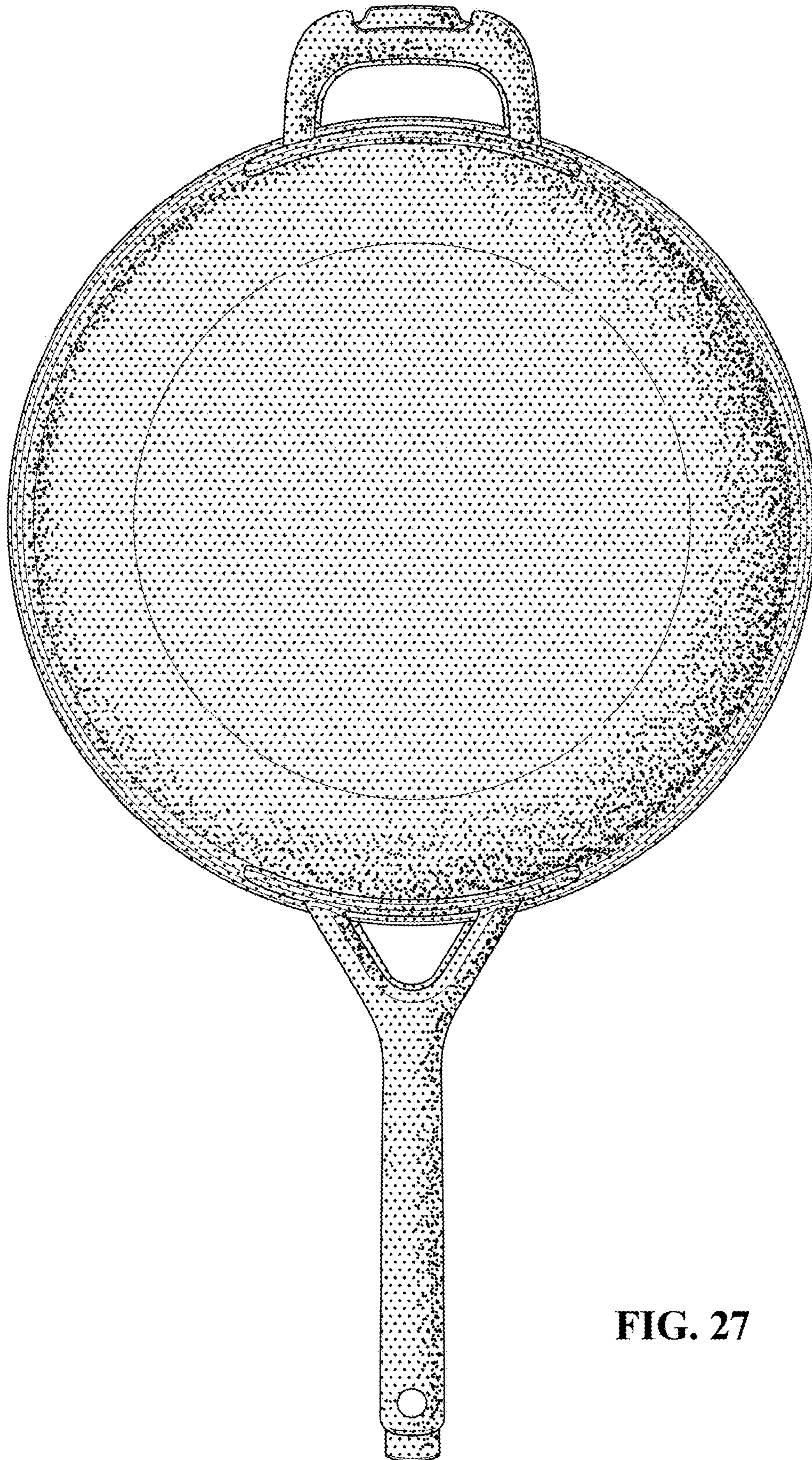


FIG. 27

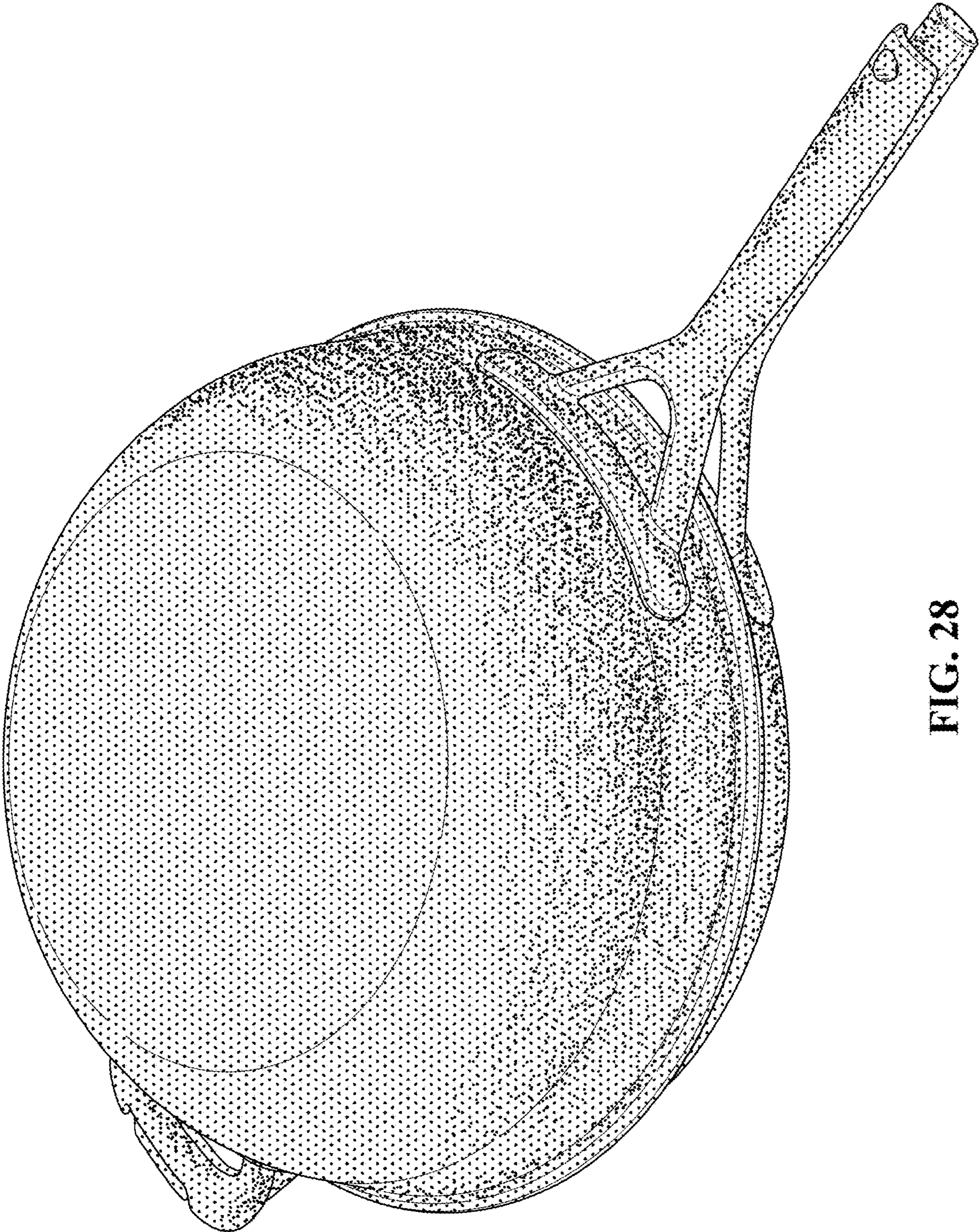


FIG. 28

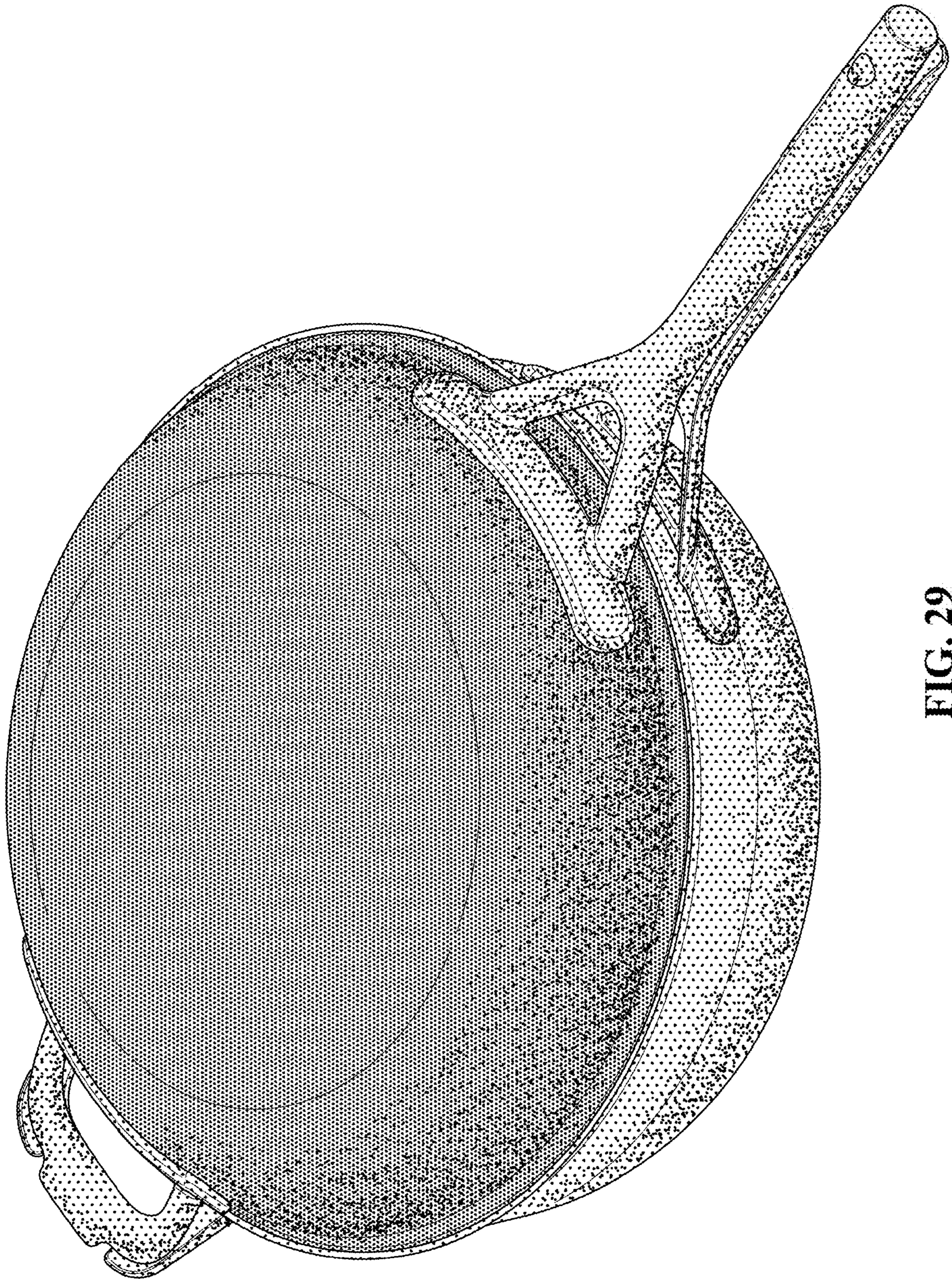


FIG. 29

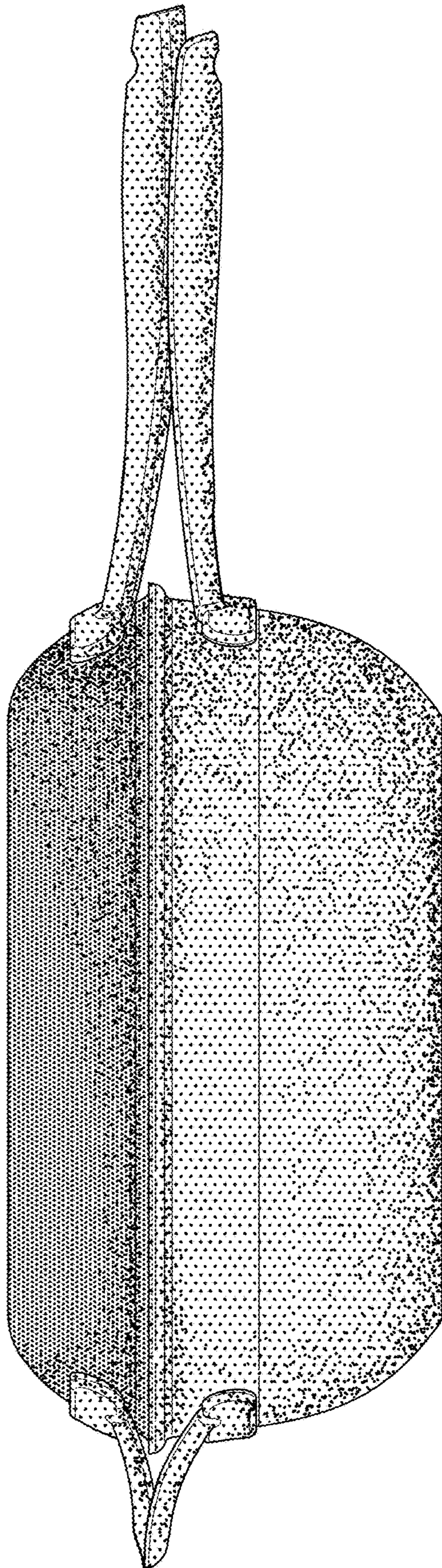


FIG. 30

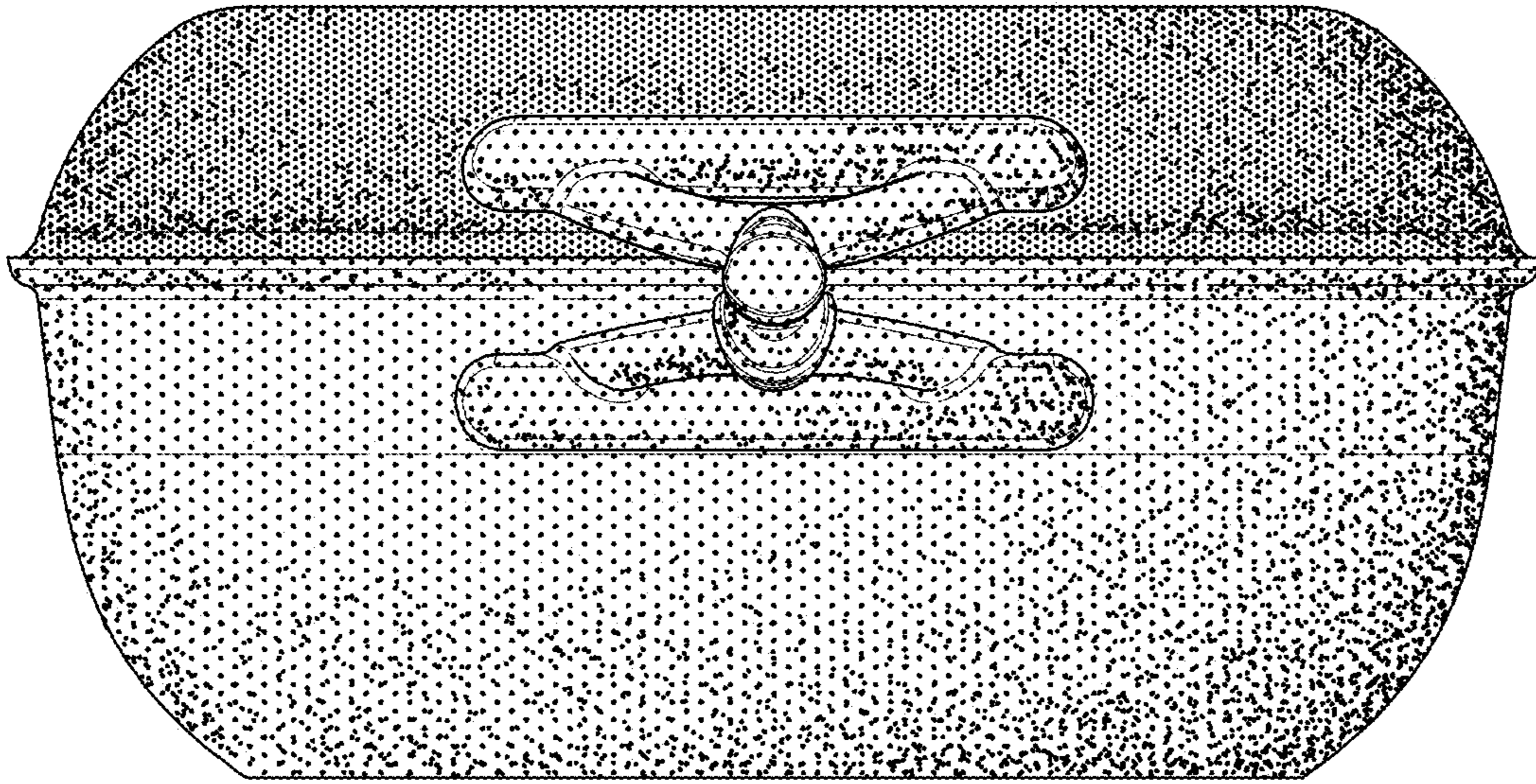


FIG. 31

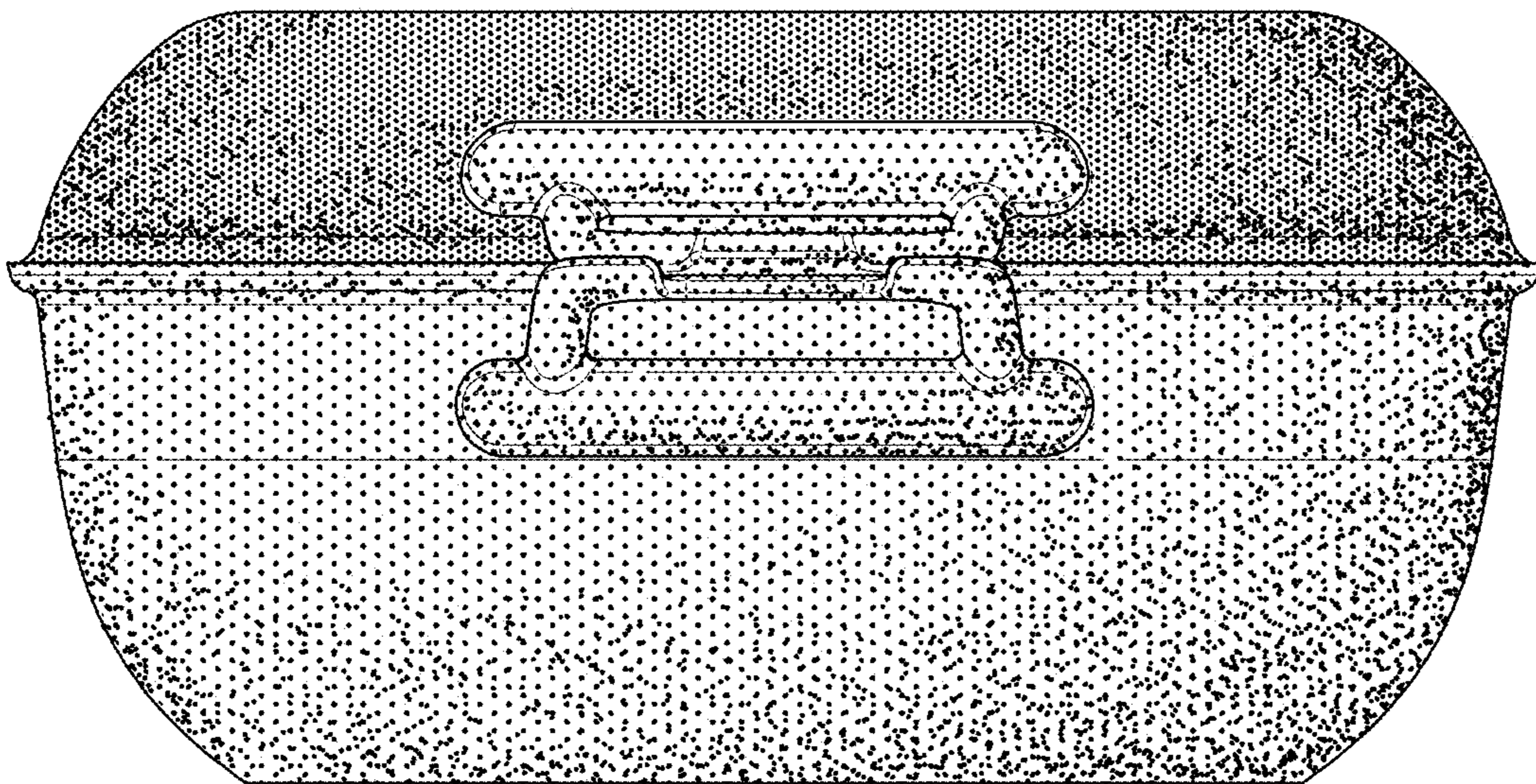


FIG. 32

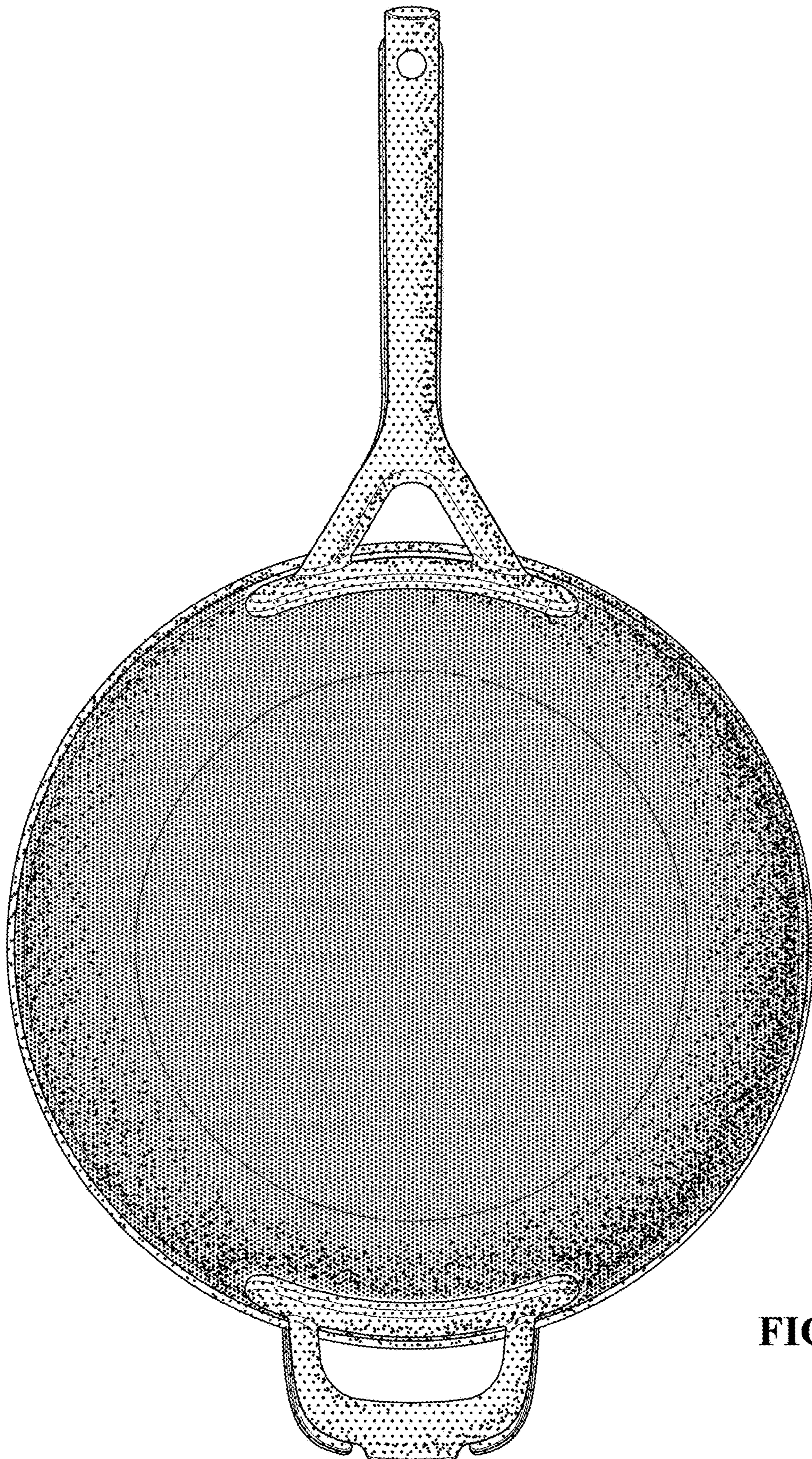


FIG. 33

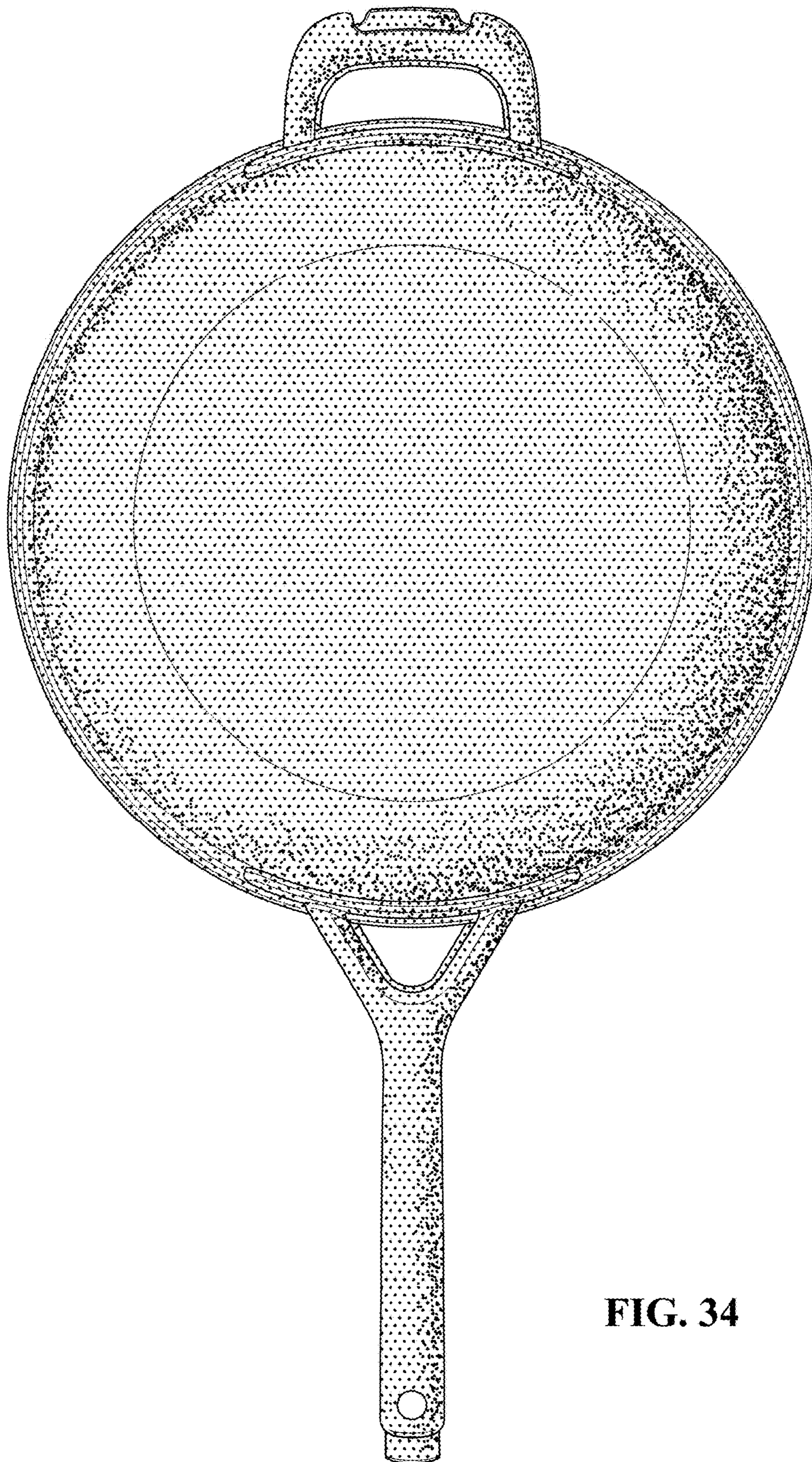


FIG. 34

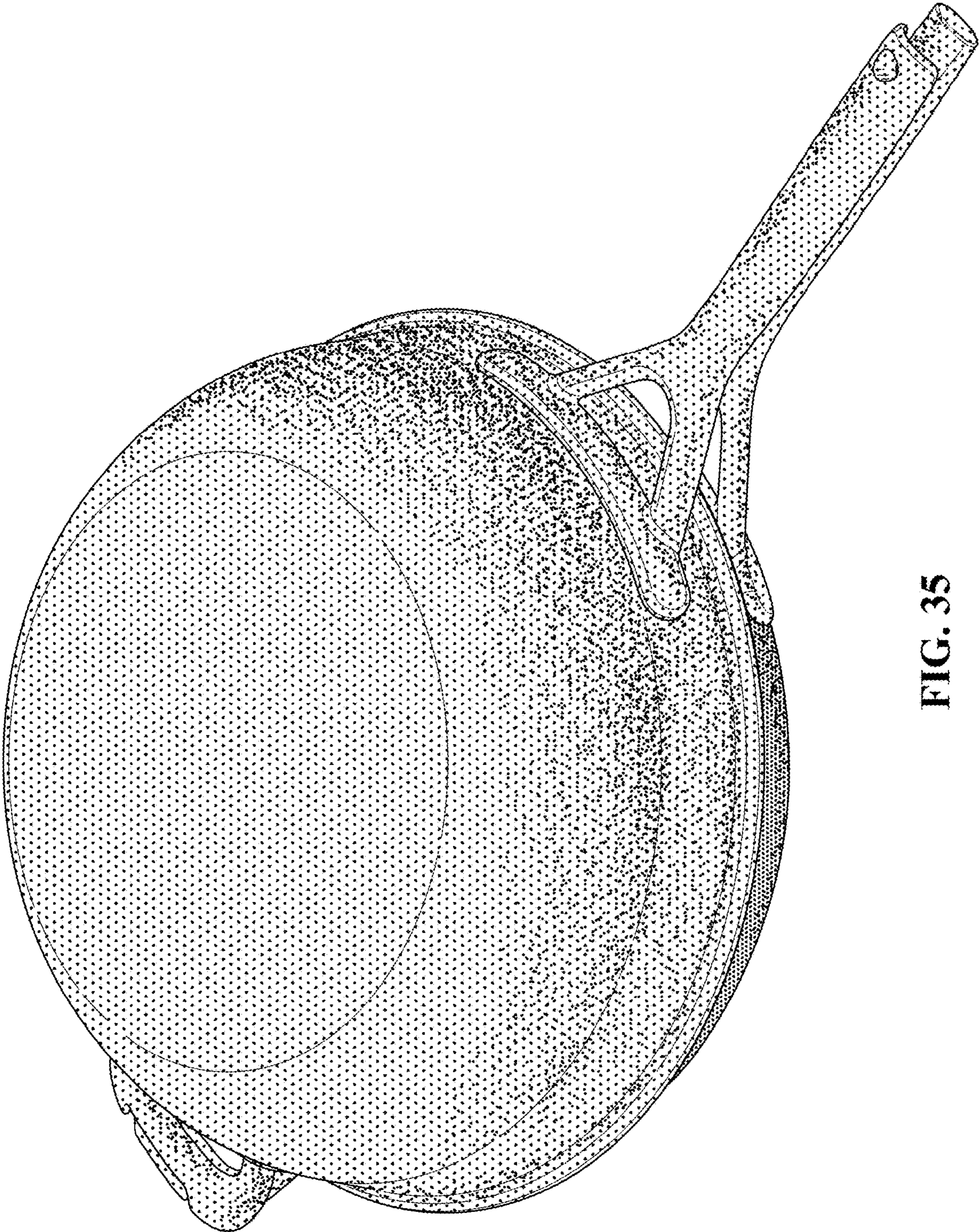


FIG. 35