

US00D969530S

(12) **United States Design Patent** (10) **Patent No.:** **US D969,530 S**
Parent (45) **Date of Patent:** **** Nov. 15, 2022**

(54) **GRILL**
(71) Applicant: **IRONOX, INC.**, Worden, MT (US)
(72) Inventor: **Andrew LeRoy Parent**, Worden, MT (US)
(**) Term: **15 Years**
(21) Appl. No.: **29/771,279**
(22) Filed: **Feb. 22, 2021**
(51) **LOC (13) Cl.** **07-02**
(52) **U.S. Cl.**
USPC **D7/334**
(58) **Field of Classification Search**
USPC D7/332-338, 323, 402, 331, 403;
D23/342, 343, 332
CPC A47J 37/07; A47J 37/0704; A47J 37/0745;
A47J 37/0763; A47J 2037/0777; A47J
33/00; A47J 37/041; A47J 37/0786; A47J
37/0713; F24C 1/16; F24C 3/14; F24B
1/202; F24B 1/205; A23B 4/052
See application file for complete search history.

6,922,033 B2 7/2005 Ziegenhorn et al.
7,647,923 B2 1/2010 Dahl
D609,045 S * 2/2010 Bruno D7/334
7,856,924 B1 12/2010 Stihi
D646,121 S * 10/2011 Pickard D7/334
D730,103 S * 5/2015 Manley D7/334
10,039,417 B2 8/2018 Chen et al.
D852,569 S * 7/2019 Giebel D7/334
D915,120 S * 4/2021 Bennion D7/334
D915,121 S * 4/2021 Kahn D7/334
D921,413 S * 6/2021 Fitzpatrick D7/334
D927,917 S * 8/2021 Yueh D7/334
D942,795 S * 2/2022 Bevins D7/334
D947,589 S * 4/2022 Czach D7/334
D953,791 S * 6/2022 Czach D7/334

(Continued)

OTHER PUBLICATIONS

Allthingsbbq, Yoder Smokers YS640 Pellet Smoker, Dec. 2, 2013, Youtube, https://www.youtube.com/watch?v=_NC46Sdj3R4 (Year: 2013).*

(Continued)

Primary Examiner — Brett Miller
(74) *Attorney, Agent, or Firm* — Antoinette M. Tease

(57) **CLAIM**

The ornamental design for a grill, as shown and described.

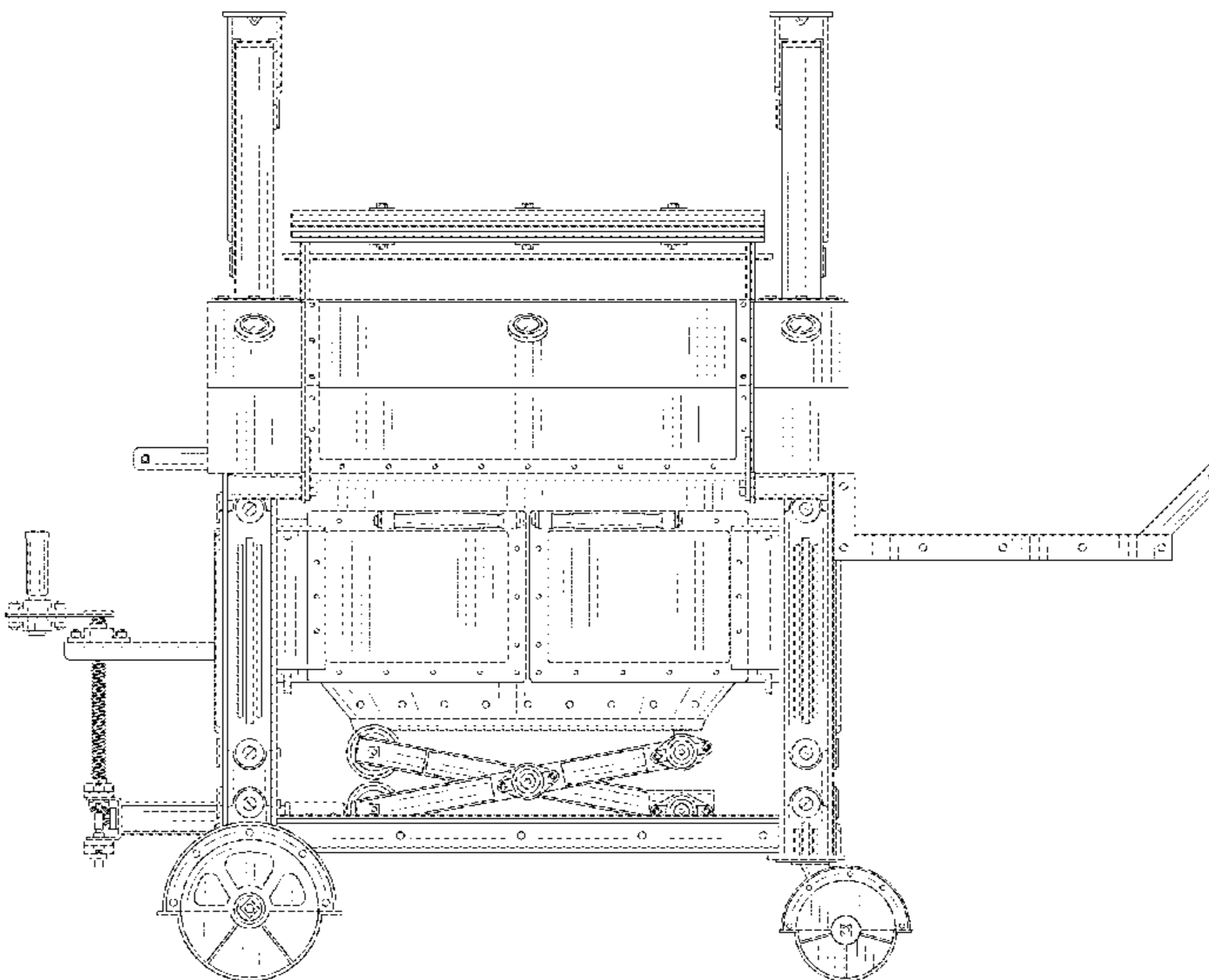
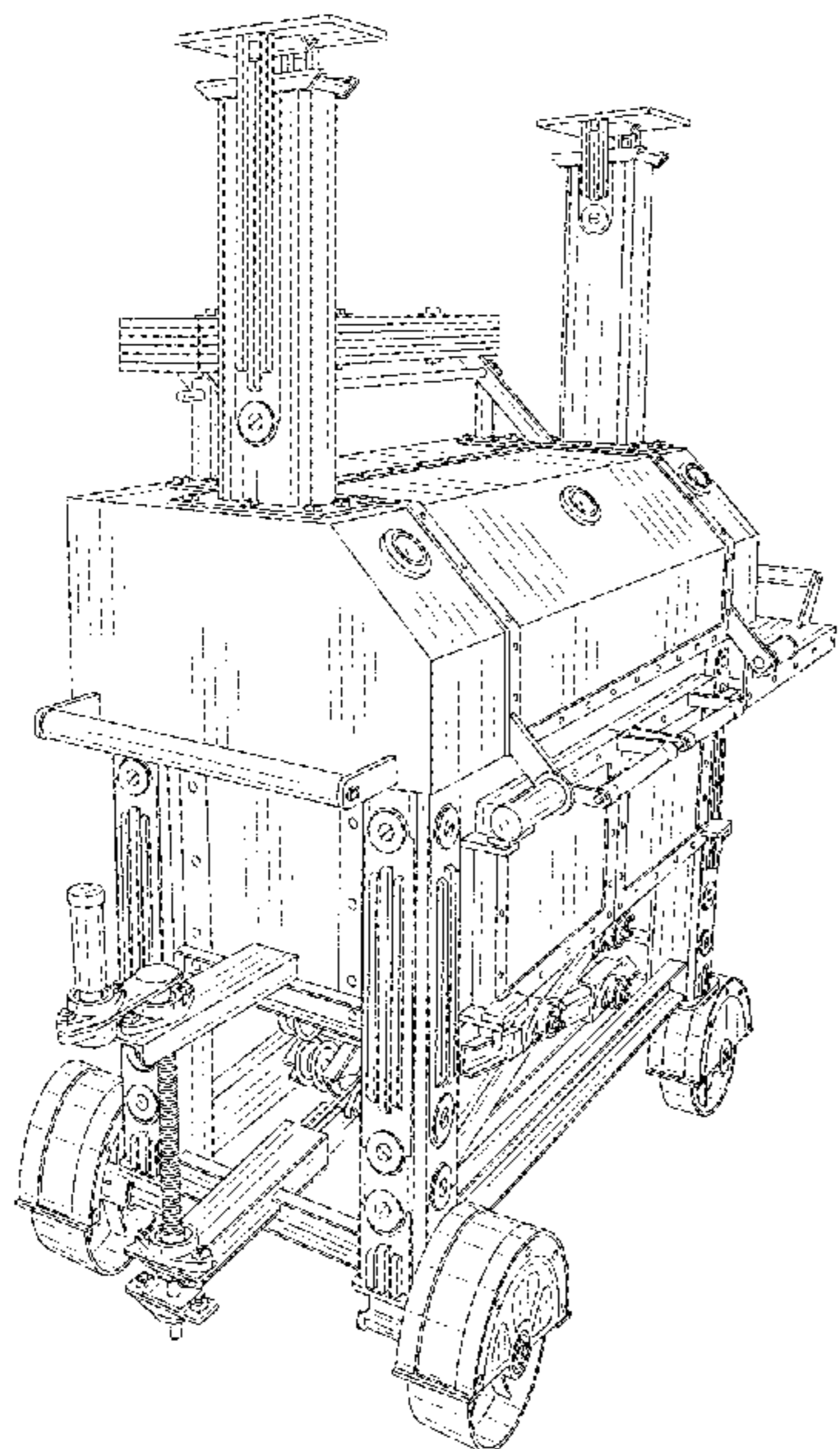
DESCRIPTION

FIG. 1 is a perspective view of a grill showing the new design.
FIG. 2 is a first side view of a grill showing the new design.
FIG. 3 is a second side view of a grill showing the new design.
FIG. 4 is a front view of a grill showing the new design.
FIG. 5 is a rear view of a grill showing the new design; and,
FIG. 6 is a top view of a grill showing the new design.

1 Claim, 6 Drawing Sheets

(56) **References Cited**
U.S. PATENT DOCUMENTS

D60,186 S * 1/1922 Woodson D7/338
D208,179 S * 7/1967 King D7/334
D223,065 S * 3/1972 Turner D7/334
D295,136 S * 4/1988 Cox, Jr. D7/334
5,253,634 A * 10/1993 LeBeouf A47J 37/0704
99/450
5,445,065 A * 8/1995 Lopata A47J 37/042
99/421 H
D381,868 S * 8/1997 Schmitt D7/332
5,850,828 A 12/1998 Valentino
D430,772 S * 9/2000 Ganard D7/334
D450,215 S * 11/2001 Wood D7/334
D480,259 S * 10/2003 Pai D7/334



(56)

References Cited

U.S. PATENT DOCUMENTS

2002/0074961 A1 6/2002 Ziegenhorn et al.
2006/0096585 A1 5/2006 Dahl
2009/0000609 A1 1/2009 Hale
2017/0020335 A1 1/2017 Chen et al.

OTHER PUBLICATIONS

Camp Chef 36 Inch Pellet Grill & Smoker, Nov. 18, 2019, Amazon, <https://www.amazon.com/Camp-Chef-Woodwind-Pellet-Smoker/dp/B081NSWWVV> (Year: 2019).*

Dyna-Glo Dual Chamber Charcoal Grill, May 22, 2018, Amazon, <https://www.amazon.com/Dyna-Glo-DGN576SNC-D-Premium-Charcoal-Stainless/dp/B00BQ59VTE> (Year: 2018).*

Masterbuilt Gravity Series, Oct. 4, 2020, Amazon, <https://www.amazon.com/Masterbuilt-MB20041220-Gravity-Digital-Charcoal/dp/B0851FJM4D> (Year: 2020).*

* cited by examiner

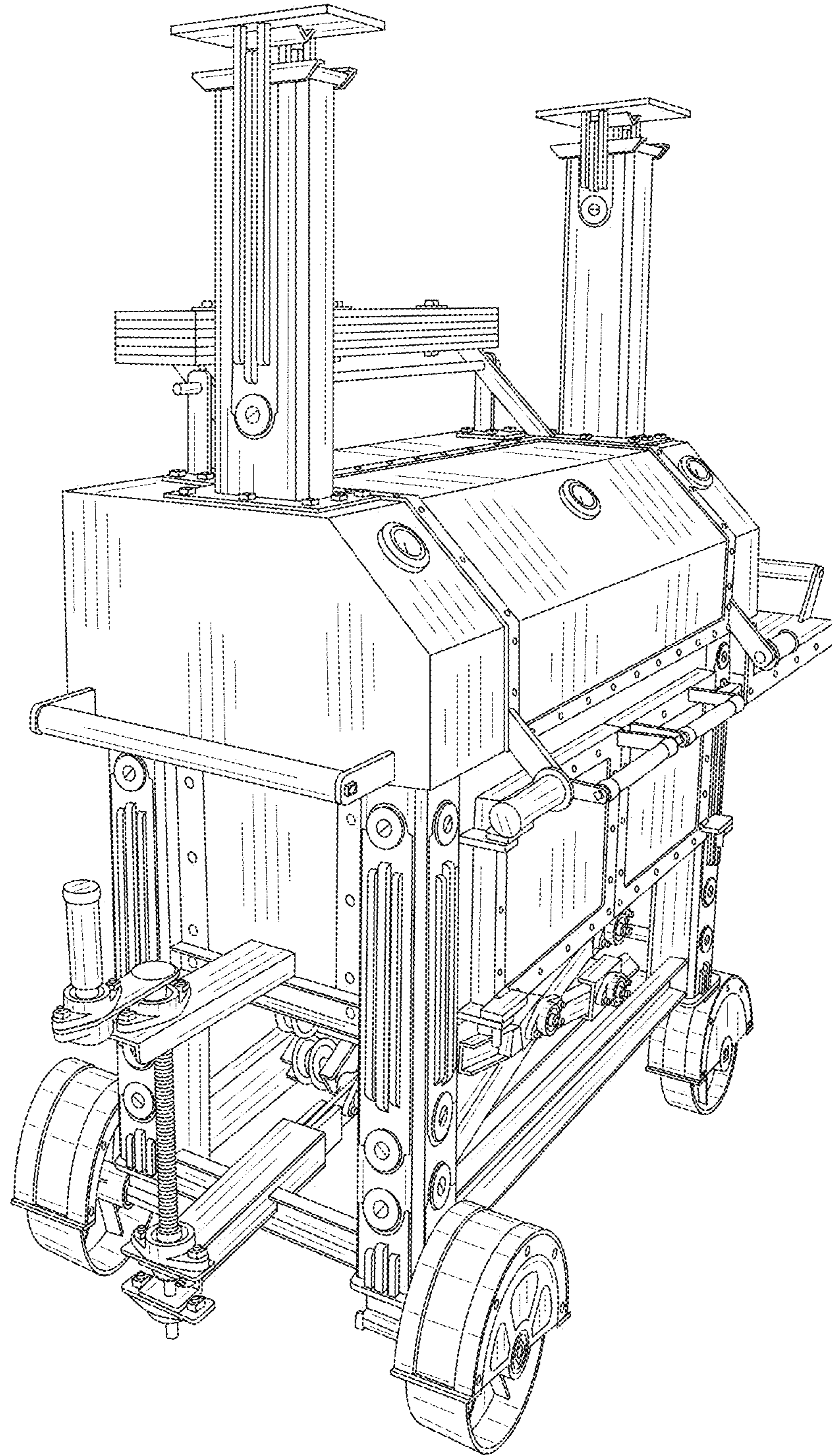
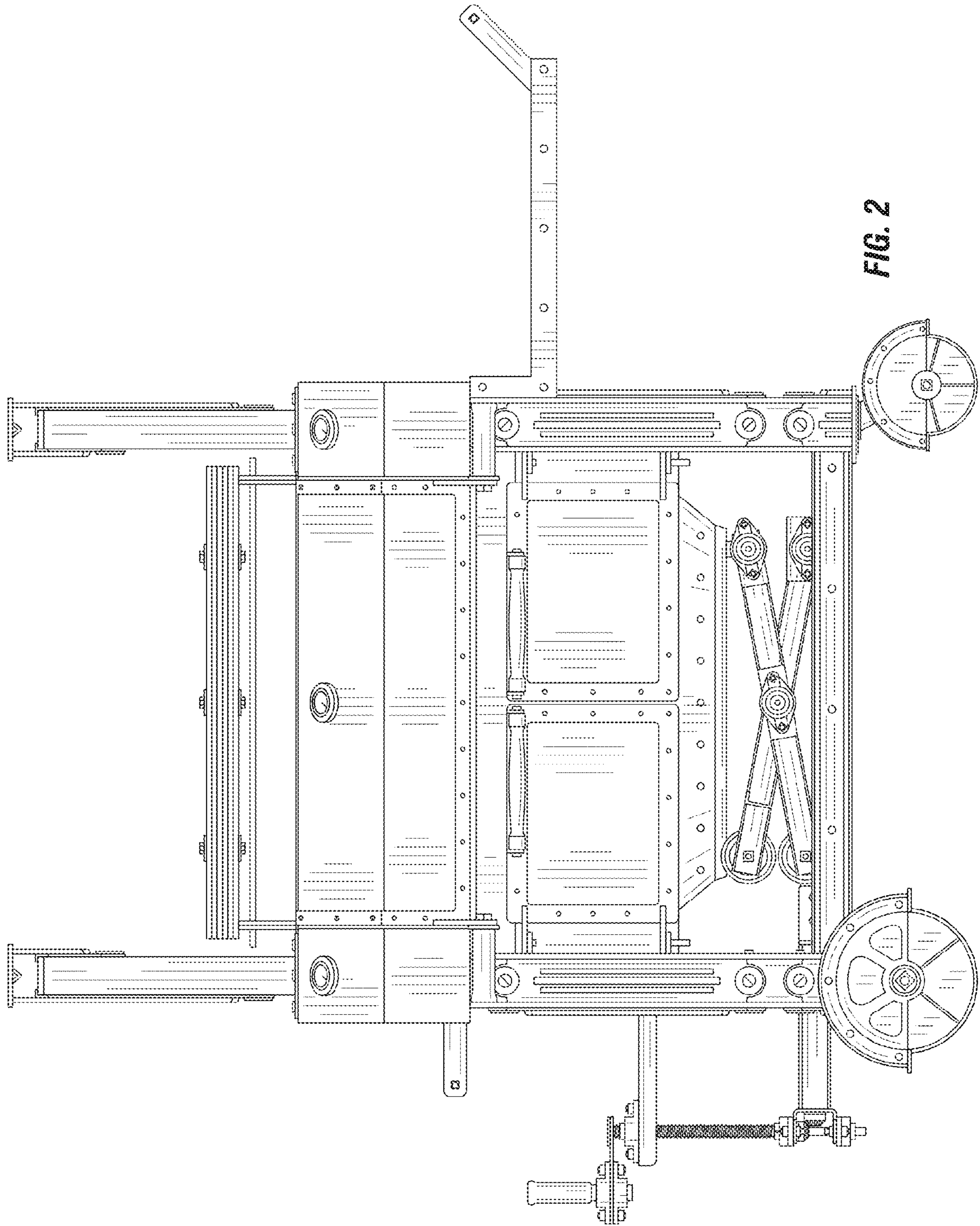


FIG. 1



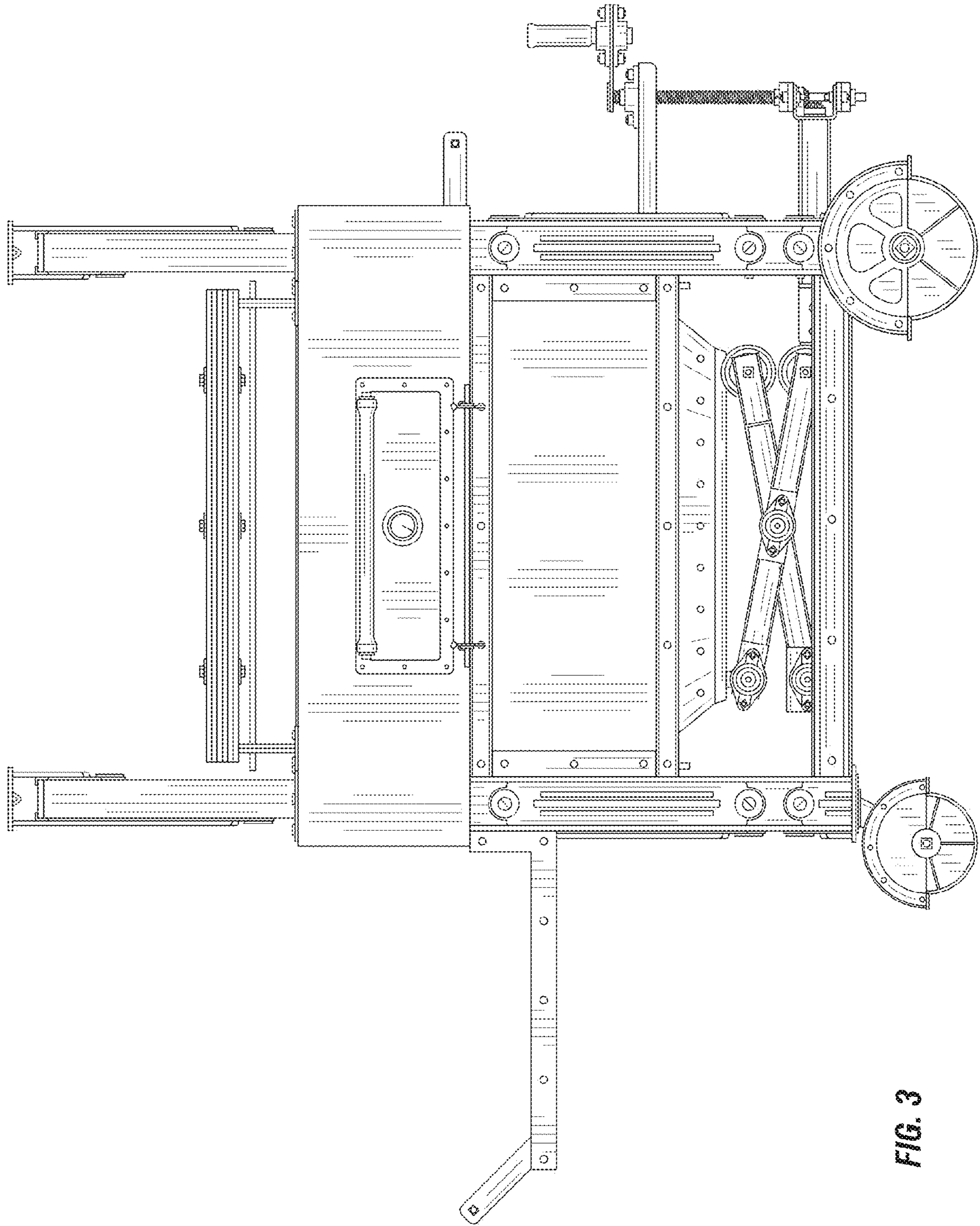


FIG. 3

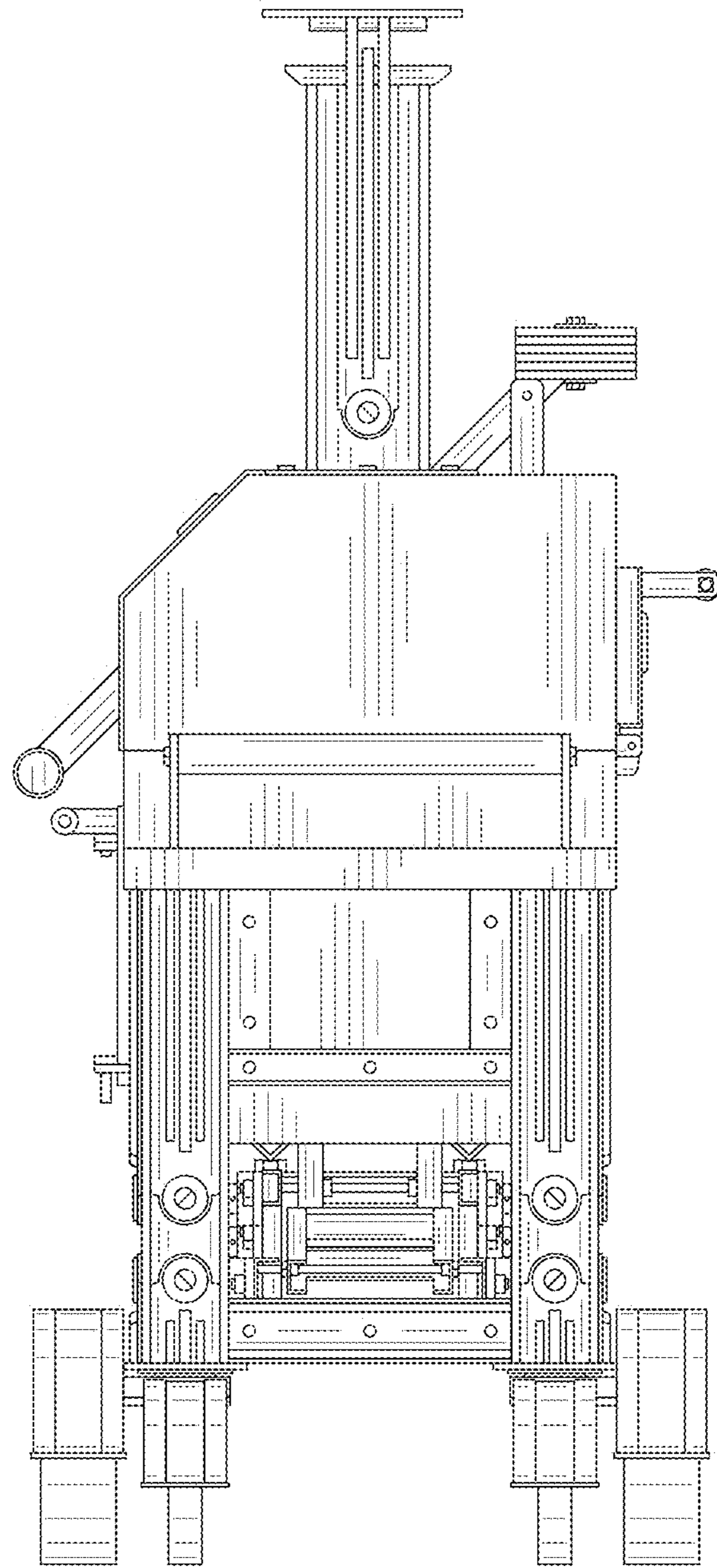


FIG. 4

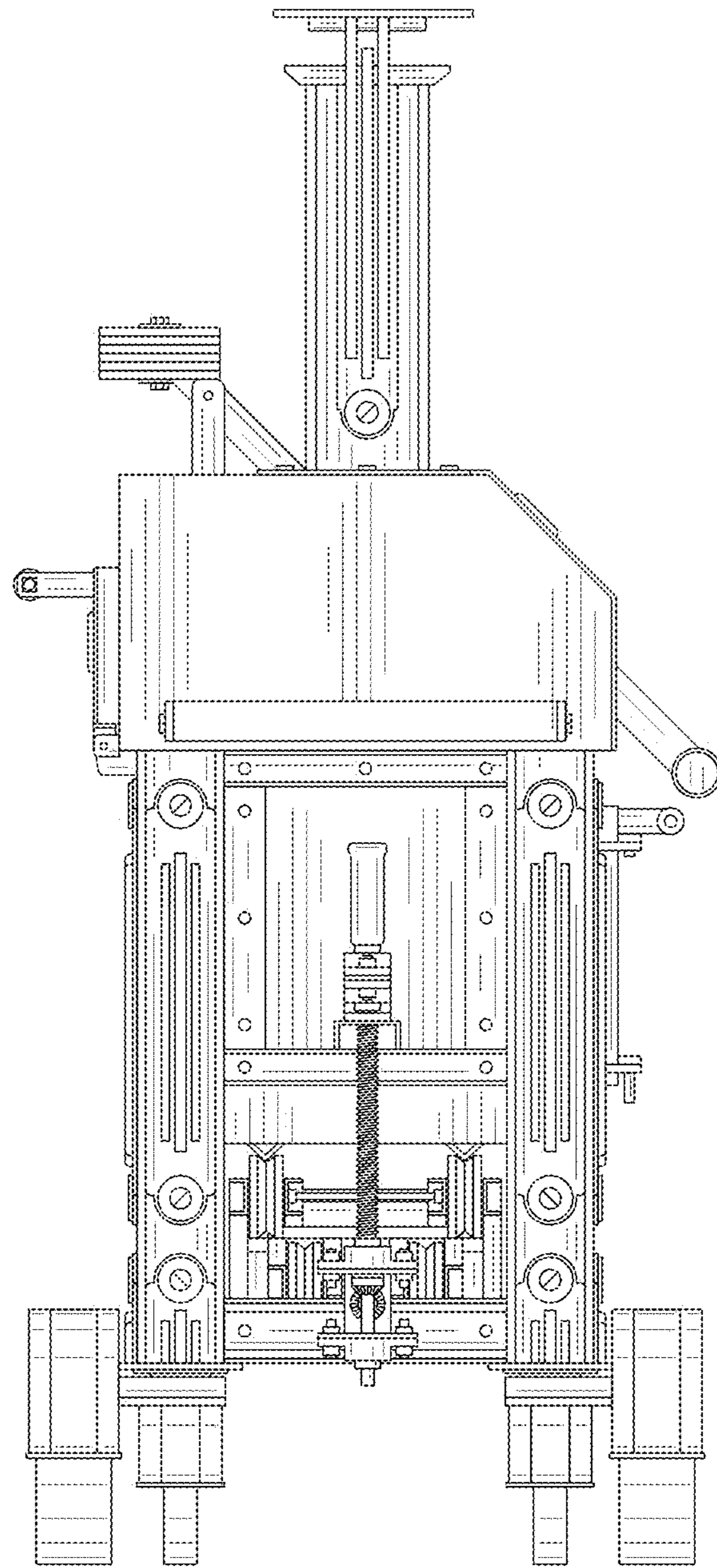


FIG. 5

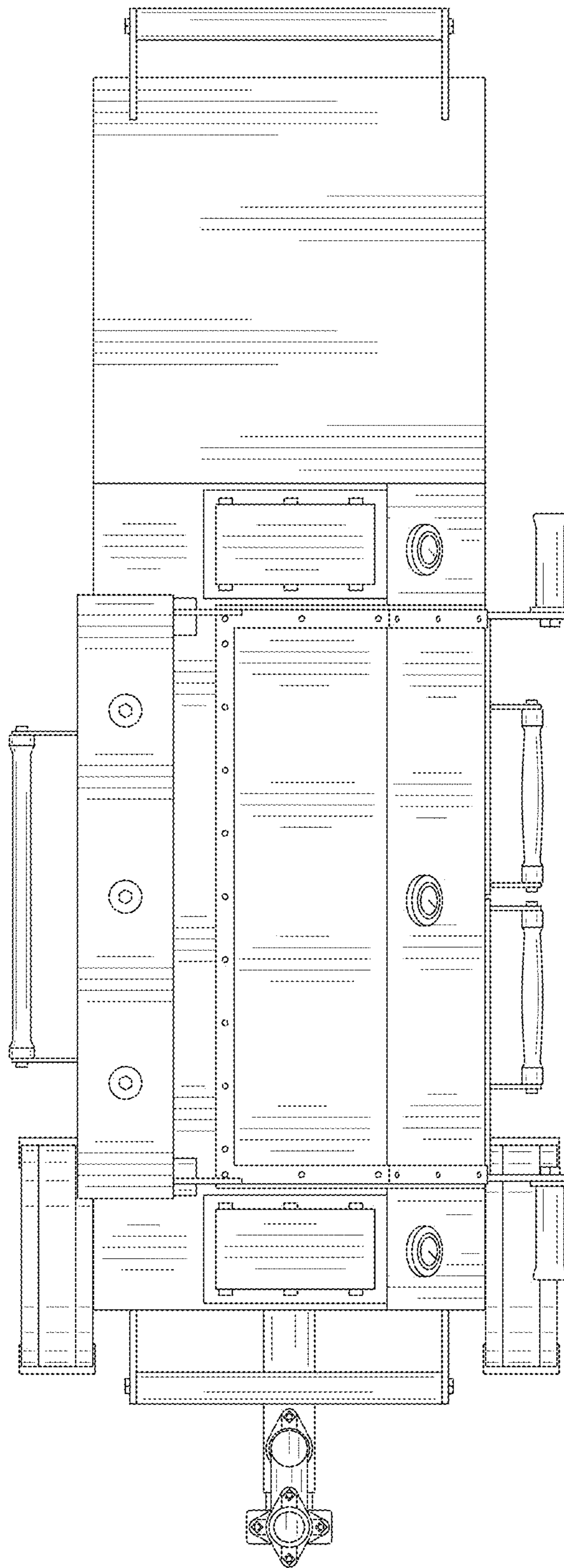


FIG. 6