

US00D969529S

(12) **United States Design Patent**
Doering

(10) **Patent No.:** **US D969,529 S**

(45) **Date of Patent:** **** Nov. 15, 2022**

- (54) **CERVID SKULL BOILER**
- (71) Applicant: **Bridger Boiler LLC**, Litchfield, MN (US)
- (72) Inventor: **Eric Doering**, Litchfield, MN (US)
- (73) Assignee: **Bridger Boiler LLC**, Litchfield, MN (US)
- (**) Term: **15 Years**
- (21) Appl. No.: **29/732,021**
- (22) Filed: **Apr. 20, 2020**
- (51) **LOC (13) Cl.** **07-02**
- (52) **U.S. Cl.**
USPC **D7/334; D7/332**
- (58) **Field of Classification Search**
USPC D23/314, 332, 335, 339, 343, 345;
D7/323, 332, 334, 339, 347, 362, 363,
D7/387, 402, 403, 405, 408, 409;
D8/315
CPC A47J 2202/00; A47J 27/00; A47J 36/00;
A47J 36/26; A47J 37/00; A47J 37/04;
A47J 37/0623; A47J 37/0647; A47J
37/07; A47J 37/0704; F24B 1/00; F24B
3/00; F24C 1/00; F24C 15/36; F24C
3/002; F24C 3/022; F24H 1/06; B44C
5/02; B29C 33/3857
See application file for complete search history.

- 2,113,082 A * 4/1938 Halter F24B 1/205
248/156
- D163,275 S * 5/1951 Gunther D7/323
- D187,318 S * 2/1960 Jones D7/332
- 3,599,624 A * 8/1971 Gehring A47J 37/0704
126/25 R

(Continued)

FOREIGN PATENT DOCUMENTS

- CN 305717281 * 4/2020
- CN 306470834 * 4/2021

(Continued)

OTHER PUBLICATIONS

KoolMist [online] URL: <https://web.archive.org/web/20170420061011/http://koolmist.com/large-capacity-w-tank> (site visited: Feb. 28, 2022)
(Year: 2017).*

(Continued)

Primary Examiner — Jae Liang
Assistant Examiner — Tia Ruth-Renee Polidori
(74) *Attorney, Agent, or Firm* — Christensen, Fonder,
Dardi & Hertbert PLLC; Douglas J. Christensen

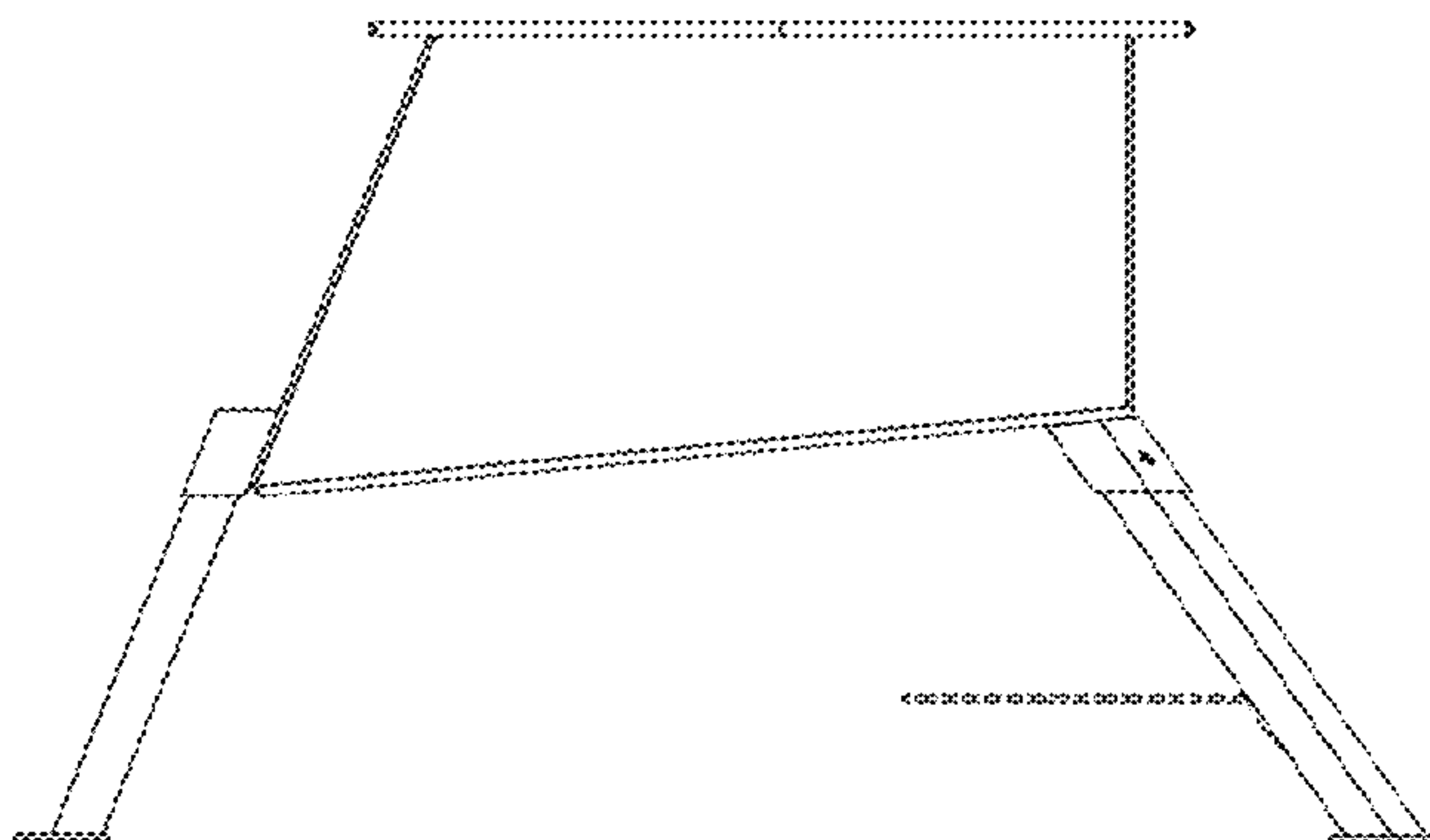
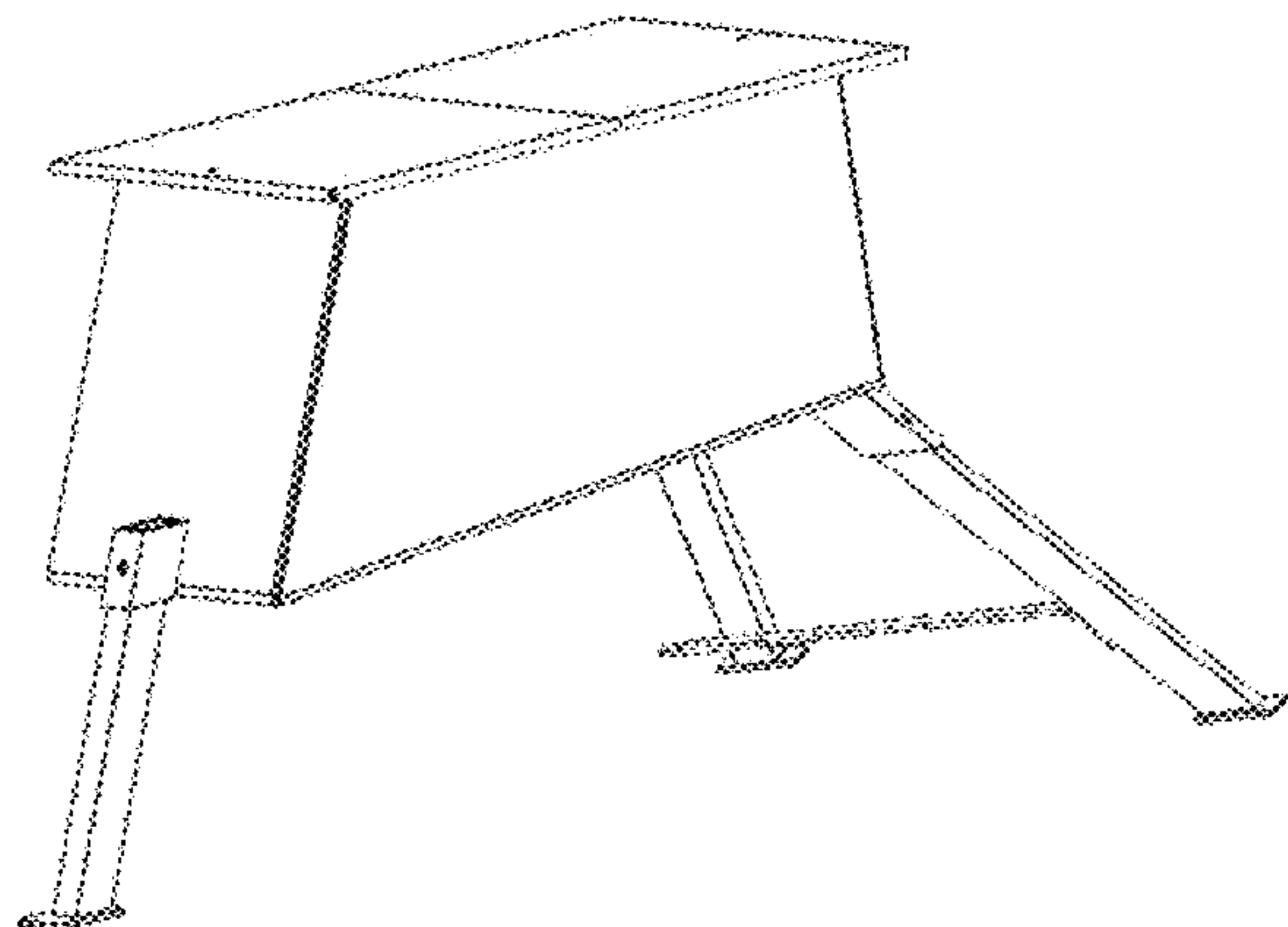
(57) **CLAIM**

The ornamental design for a cervid skull boiler, as shown and described.

DESCRIPTION

FIG. 1 is a top front perspective view of my new design for a cervid skull boiler;
FIG. 2 is another top front perspective view thereof;
FIG. 3 is a front elevation view thereof;
FIG. 4 is a side elevation view thereof; and,
FIG. 5 is a rear elevation view thereof.
The portions of the cervid skull boiler shown in broken line form no part of the claimed design.

1 Claim, 3 Drawing Sheets



(56)

References Cited

U.S. PATENT DOCUMENTS

3,792,654 A * 2/1974 Turner A23B 4/052
99/481
D237,121 S * 10/1975 Metzner D3/905
D238,784 S * 2/1976 Wescott D23/343
D238,949 S * 2/1976 Giovagnoli D23/343
4,069,806 A * 1/1978 Landry F24B 1/205
126/307 R
D249,702 S * 9/1978 Dugan D23/343
D255,600 S * 6/1980 Marchant D23/343
D257,172 S * 9/1980 Sommerschild D23/348
D257,278 S * 10/1980 Sommerschild D23/343
D257,279 S * 10/1980 Sommerschild D23/343
D265,374 S * 7/1982 Hamilton, Jr. D7/334
D271,935 S * 12/1983 Conner D7/332
D284,256 S * 6/1986 Moncrief D7/334
4,881,520 A * 11/1989 Hefling
5,437,222 A * 8/1995 Franklin A47J 33/00
99/450
5,558,008 A * 9/1996 Jenkins A47J 37/0786
126/30
5,588,420 A * 12/1996 Dickson A47J 37/0704
126/25 R
5,678,531 A * 10/1997 Byers A47J 37/0704
126/41 R
5,947,105 A * 9/1999 Scott F24B 1/202
29/403.1
D471,055 S * 3/2003 Hermansen D7/332
6,672,303 B1 * 1/2004 Emter A47J 37/0713
126/41 R
6,725,856 B1 4/2004 Barbour et al.
7,766,004 B1 8/2010 Bourgeois
8,162,670 B2 4/2012 Hacke
8,939,771 B2 1/2015 Owens, III
D730,103 S * 5/2015 Manley D7/334
D732,334 S * 6/2015 Bradford, Jr. D7/334
D806,462 S * 1/2018 Zhang D7/332
D938,003 S * 12/2021 Ming D23/343

D942,203 S * 2/2022 Jiang D7/339
11,253,103 B2 * 2/2022 Stitt A47J 37/0763
D944,584 S * 3/2022 Jiang D23/343
2006/0075905 A1 * 4/2006 Shih A47J 37/0704
99/419
2006/0154224 A1 7/2006 St. Ama
2009/0075245 A1 3/2009 Hacke
2009/0194091 A1 * 8/2009 Dong A47J 36/06
126/25 R
2013/0014373 A1 1/2013 Jordan
2014/0326233 A1 * 11/2014 Traeger A47J 37/0704
126/10
2015/0075514 A1 * 3/2015 Kuenzinger A47J 37/0763
126/9 B
2018/0224126 A1 * 8/2018 Samaraweera A47J 36/26
2019/0274479 A1 * 9/2019 Chung A47J 37/0704
2020/0039284 A1 * 2/2020 Williams B44C 5/02
2020/0333042 A1 * 10/2020 Doering B29C 33/3857
2021/0177203 A1 * 6/2021 Ngo A47J 37/0763
2021/0282592 A1 * 9/2021 Jan A47J 37/0704
2022/0015573 A1 * 1/2022 Mistry F23B 80/04
2022/0099300 A1 * 3/2022 Thurmond F24C 3/14
2022/0110479 A1 * 4/2022 True F24B 5/06

FOREIGN PATENT DOCUMENTS

KR 300828090.0000 * 12/2015
KR 301020075.0000 * 8/2019
WO WOD049893-001 * 1/2000

OTHER PUBLICATIONS

Bridger [online] URL: <https://www.facebook.com/bridgerboiler/photos/108942977259223> (site visited: Feb. 28, 2022) (Year: 2019).*
Inventor Bridger [online] URL: <https://bridgerboiler.com/pages/about> (site visited: Feb. 28, 2022) (Year: 2022).*
Sullivan, et al. "Cleaning and Preserving Animal Skulls" *The University of Arizona Cooperative Extension* (Oct. 1999) 4 pages.

* cited by examiner

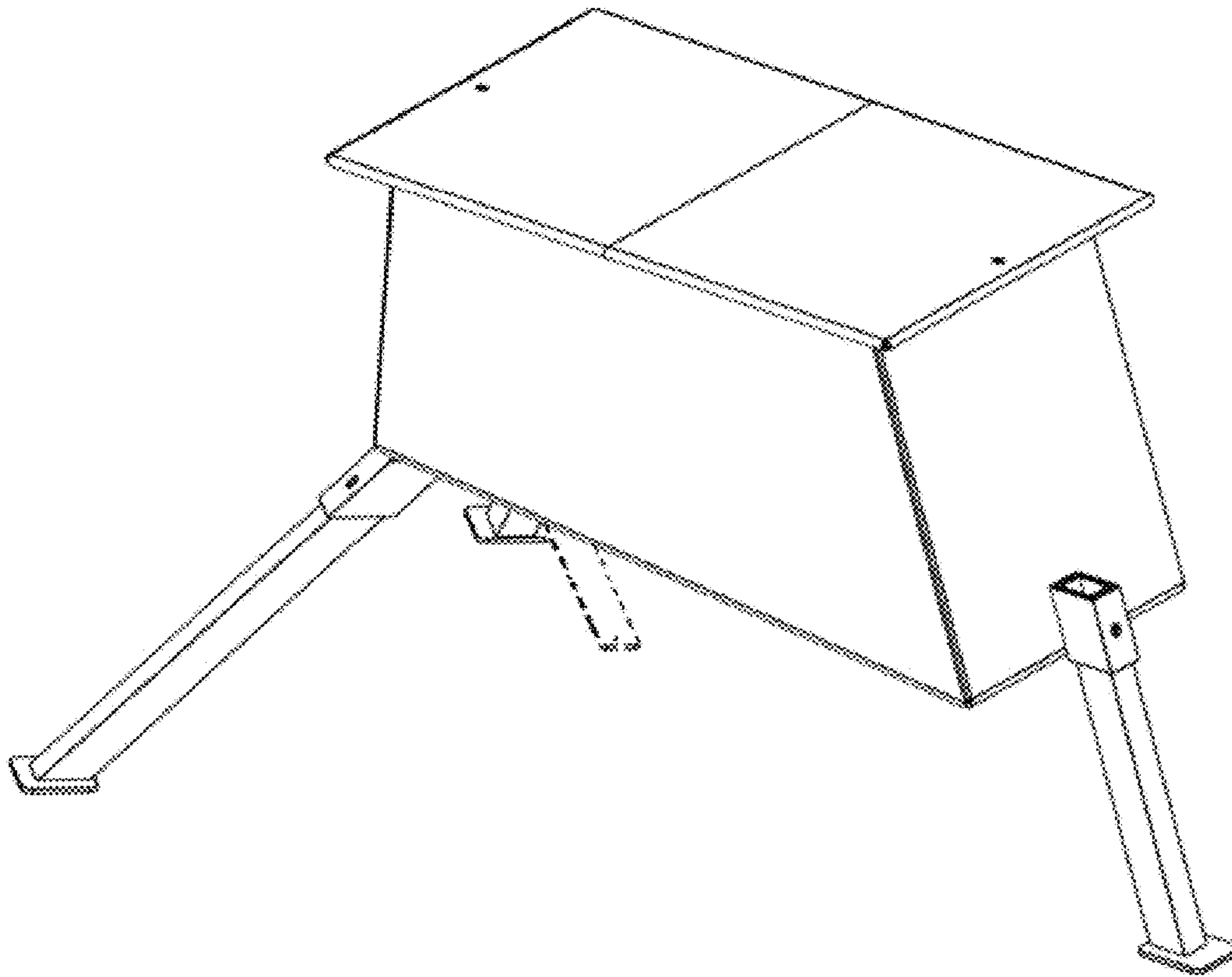


Fig. 1

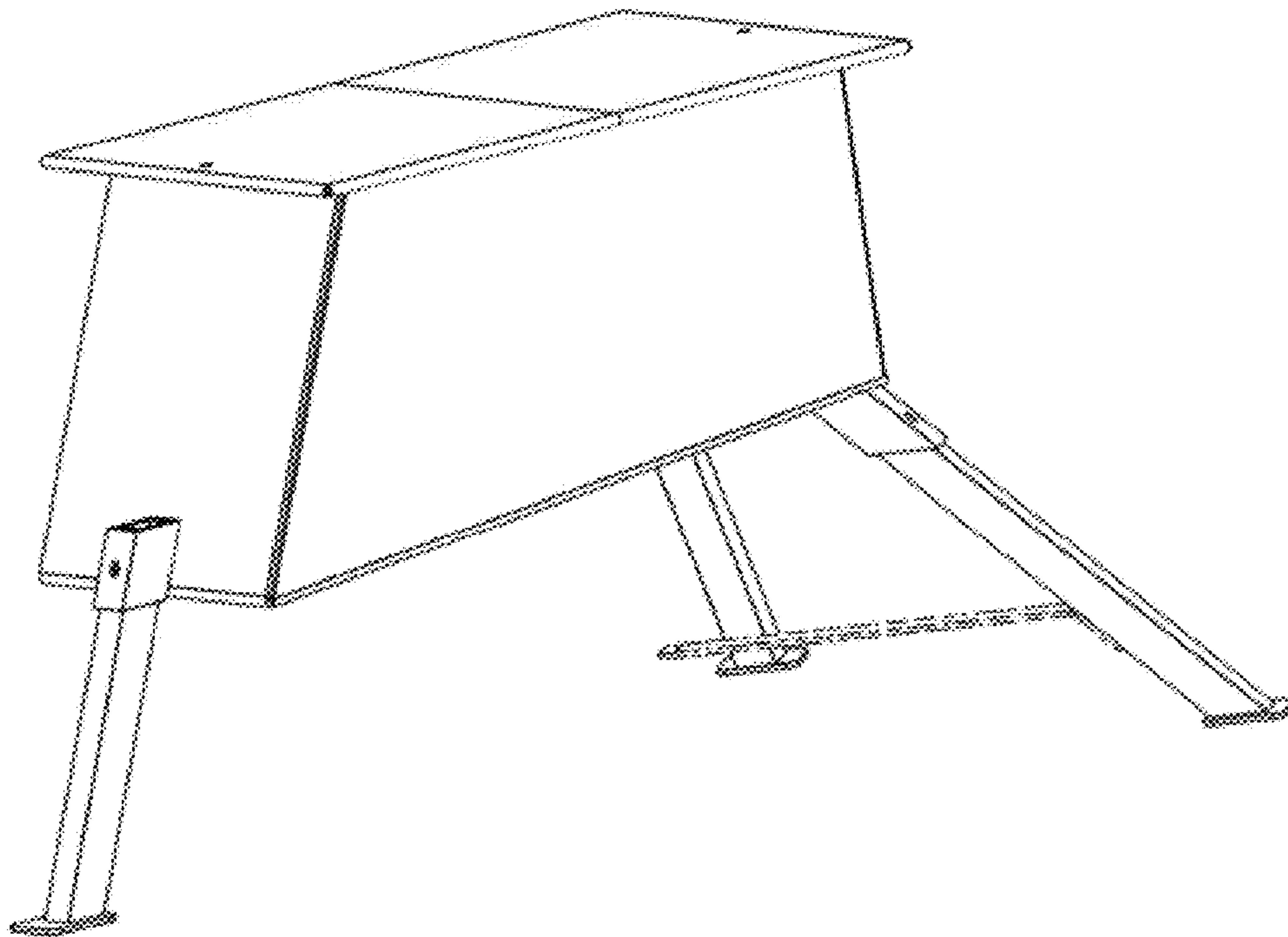


Fig. 2

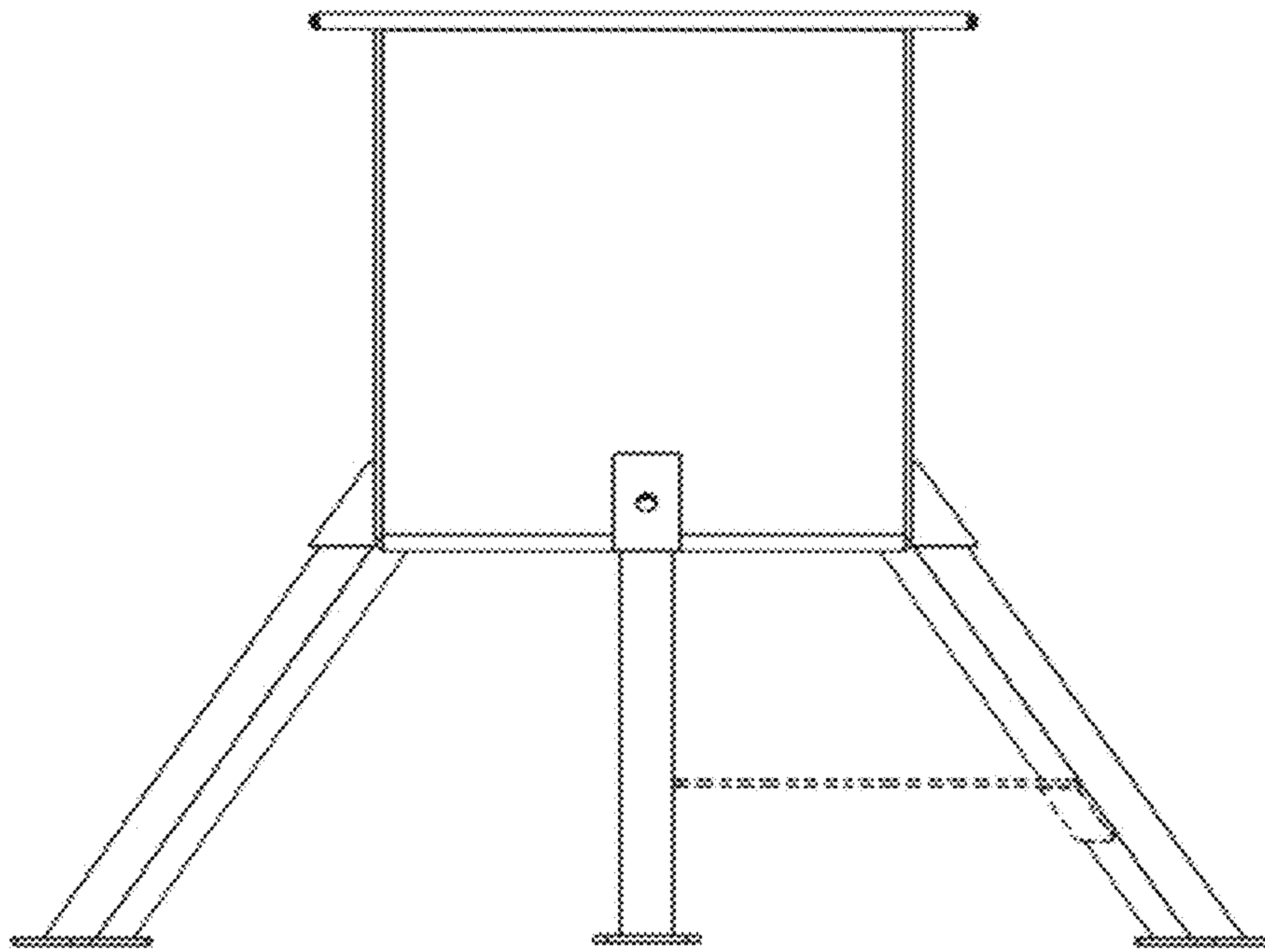


Fig. 3

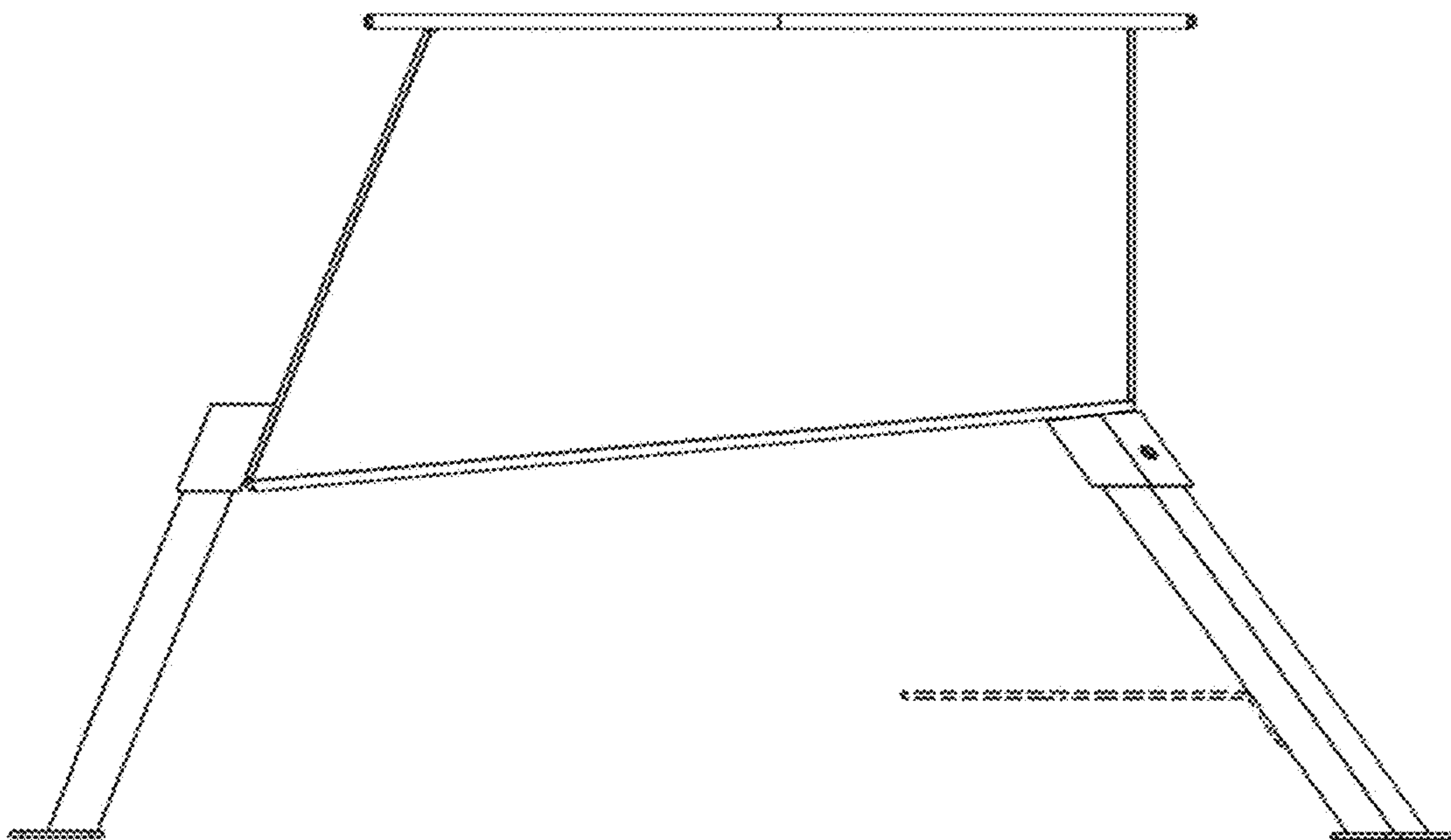


Fig. 4

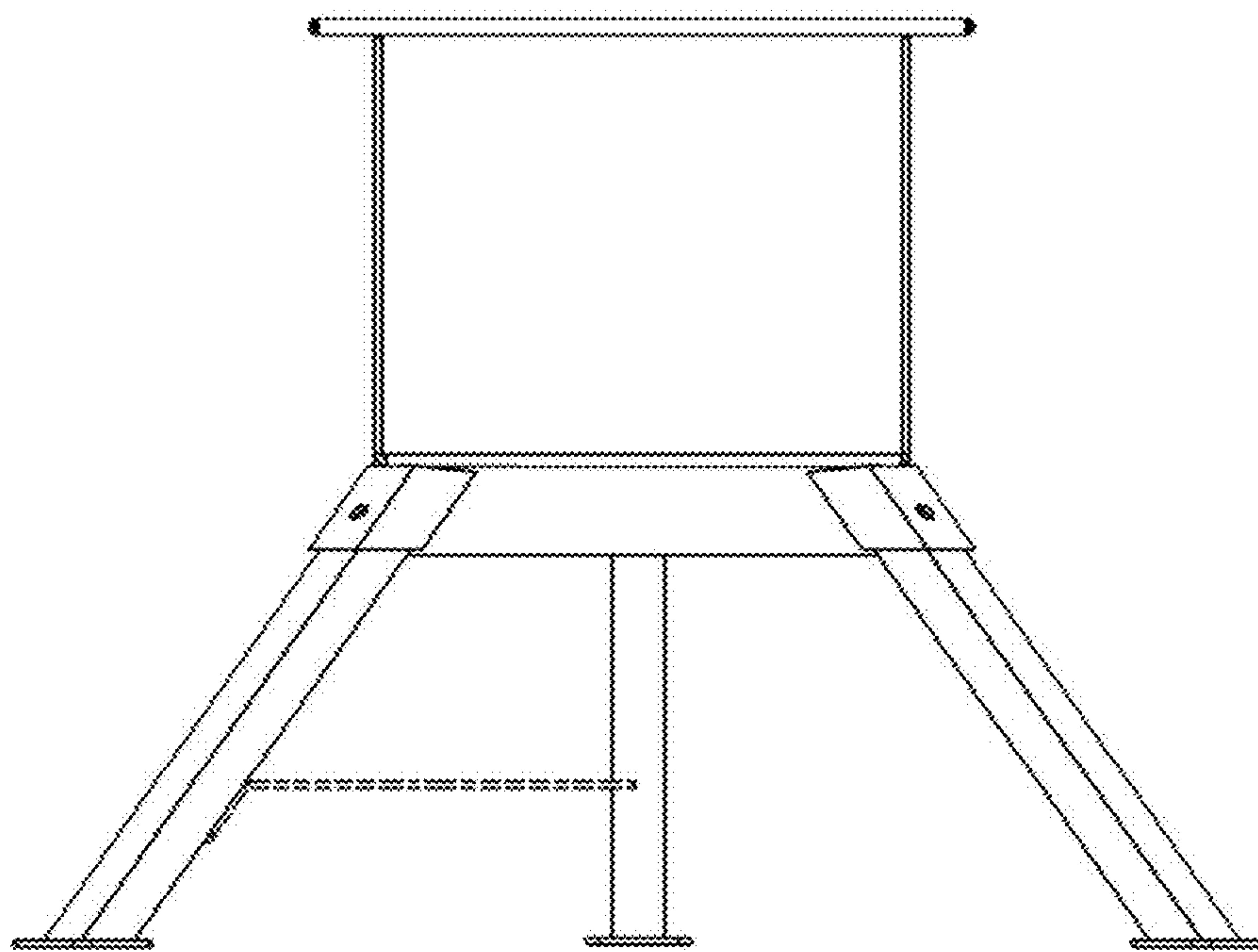


Fig. 5