



US00D969528S

(12) **United States Design Patent** (10) **Patent No.:** **US D969,528 S**
Bazzicalupo et al. (45) **Date of Patent:** **** Nov. 15, 2022**

(54) **ELECTRIC KETTLE**
(71) Applicant: **SMEG S.p.A.**, Guastalla (IT)
(72) Inventors: **Leopoldo Bazzicalupo**, Sale Marasino (IT); **Raffaella Mangiarotti**, Milan (IT)
(73) Assignee: **SMEG S.P.A.**, Guastalla (IT)
(**) Term: **15 Years**
(21) Appl. No.: **35/511,246**
(22) Filed: **Jul. 29, 2020**

D366,388 S * 1/1996 Alessi Anghini D7/317
5,690,094 A * 11/1997 Sheinfeld A47J 36/26
431/255
D389,369 S * 1/1998 Hippen D7/319
D390,743 S * 2/1998 Saltet D7/319
5,841,108 A * 11/1998 Lacombe H05B 3/50
219/441
D413,481 S * 9/1999 Choi D7/322
D439,466 S * 3/2001 Bouhuys D7/319
D445,628 S * 7/2001 McGroary D7/317
D448,235 S * 9/2001 Jørgensen D7/319
D454,468 S * 3/2002 Mano D7/319
D465,121 S * 11/2002 Mulle D7/319
D475,233 S * 6/2003 De Visser D7/317

(Continued)

(80) **Hague Agreement Data**
Int. Filing Date: **Jul. 29, 2020**
Int. Reg. No.: **DM/209775**
Int. Reg. Date: **Jul. 29, 2020**
Int. Reg. Pub. Date: **Jan. 29, 2021**

(30) **Foreign Application Priority Data**
Feb. 3, 2020 (EM) 007655022
(51) **LOC (13) Cl.** **07-02**
(52) **U.S. Cl.**
USPC **D7/318**
(58) **Field of Classification Search**
USPC D7/300, 301, 302, 309, 312, 313, 314,
D7/316, 317, 318, 321, 322, 619.1, 622,
D7/354
CPC A47J 27/06; A47J 27/21; A47J 27/21008;
A47J 27/212; A47G 19/12; A47G 19/14;
A47G 19/127
See application file for complete search history.

(56) **References Cited**
U.S. PATENT DOCUMENTS

D305,853 S * 2/1990 Zimmermann D7/319
D323,951 S * 2/1992 Inoue D7/319
D343,983 S * 2/1994 Tardif D7/319
5,339,978 A * 8/1994 Coppier B65D 45/025
220/912

OTHER PUBLICATIONS

SMEG Electric mini Kettle, amazon.com, <https://www.amazon.com/Smeg-Electric-Kettle-KLF05-Pastel/dp/B09D3Y8XKN?th=1> (Year: 2021).*

Primary Examiner — Steven J Czyz
(74) *Attorney, Agent, or Firm* — The Belles Group, P.C.

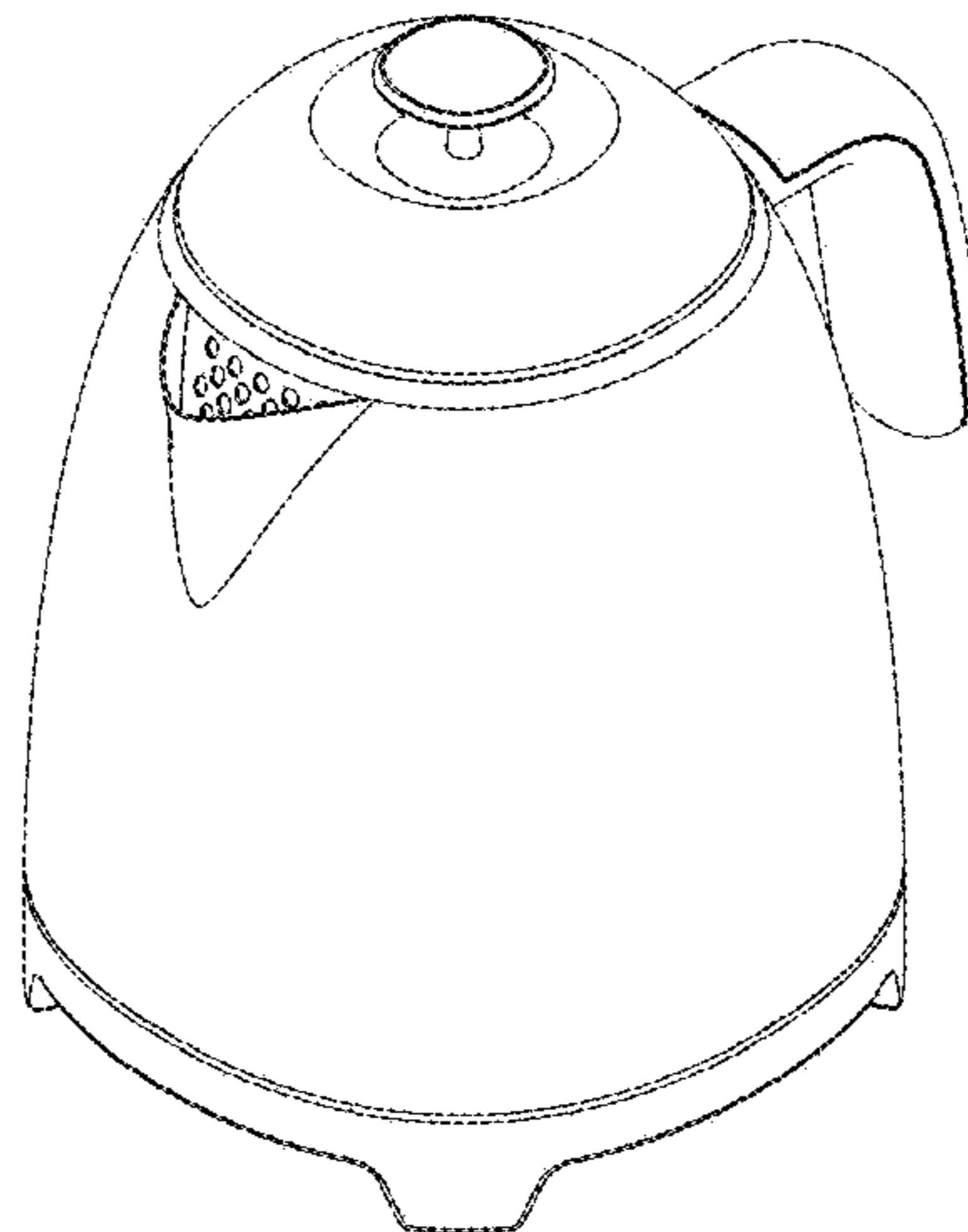
(57) **CLAIM**

The ornamental design for the electric kettle, as shown and described.

DESCRIPTION

1. Electric kettle
1.1 : Front-side perspective view
1.2 : Rear-side perspective view
1.3 : Front view
1.4 : Rear view
1.5 : Left side view, with the right side view being a mirror image thereof
1.6: Top view
1.7: Bottom view
The broken line shown is for the purpose of illustrating portions of the electric kettle and forms no part of the claimed design.

1 Claim, 7 Drawing Sheets



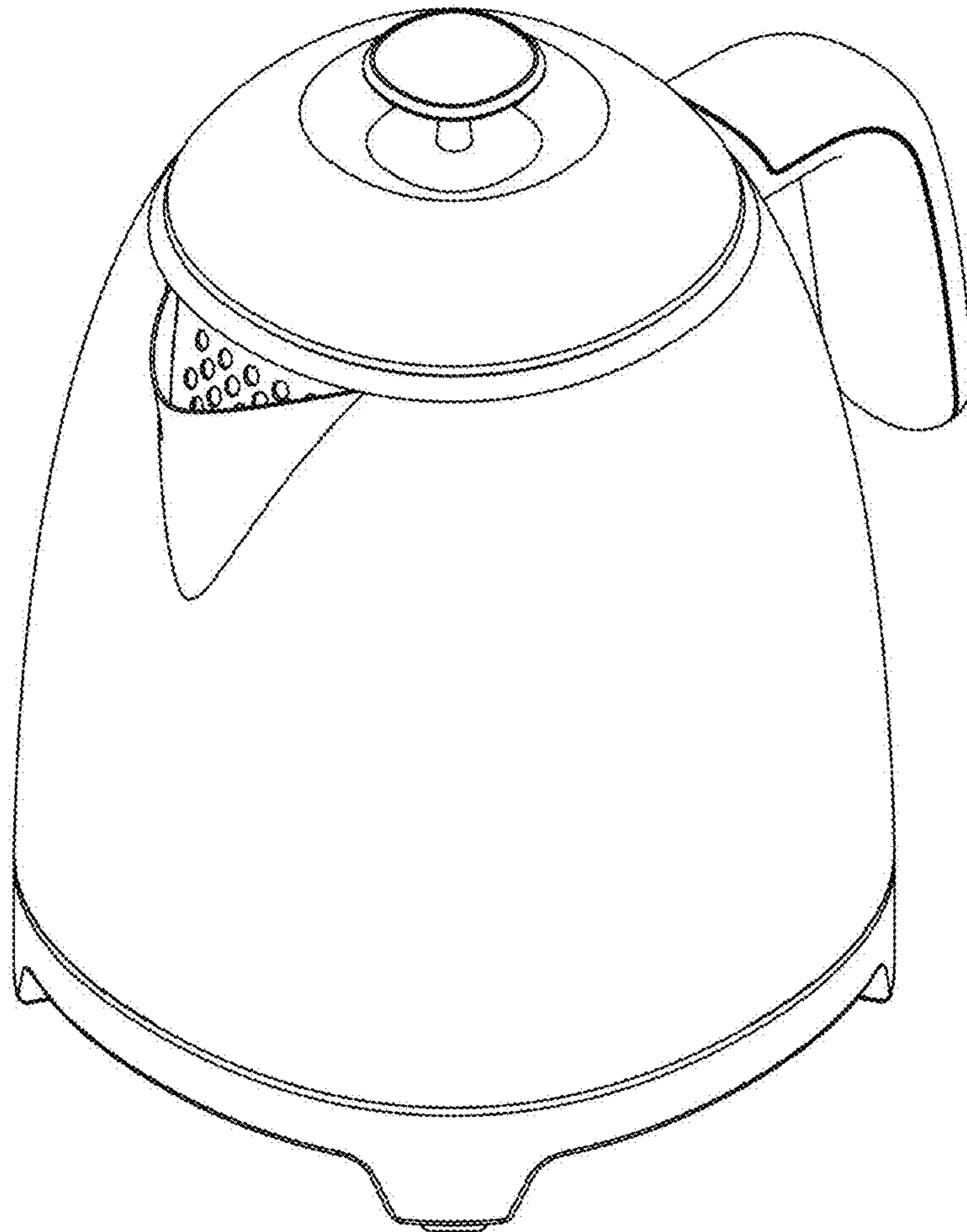
(56)

References Cited

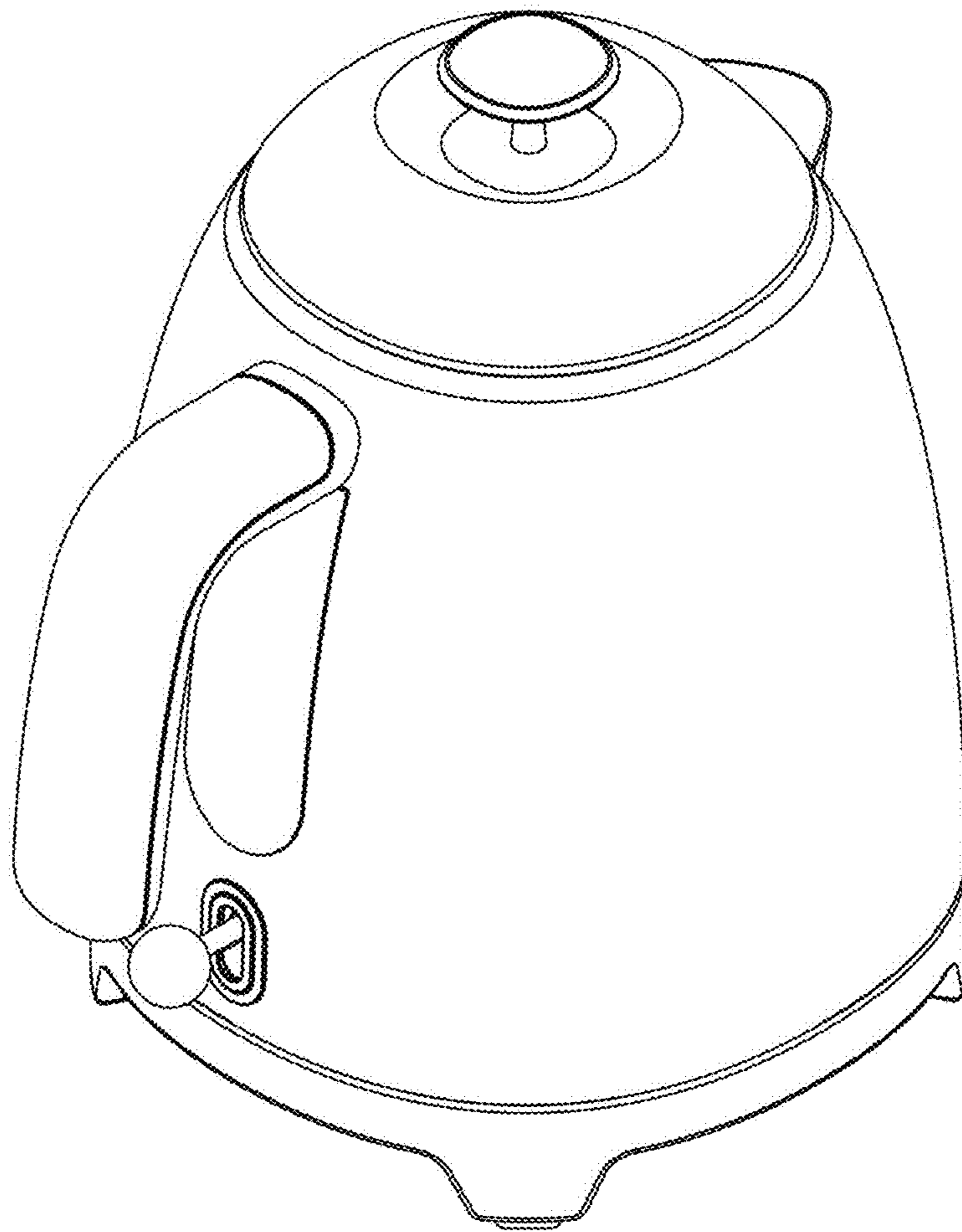
U.S. PATENT DOCUMENTS

D478,766	S *	8/2003	Questelles	D7/319	D824,715	S *	8/2018	Bradshaw	D7/300
D498,384	S *	11/2004	McWilliam	D7/319	D825,246	S *	8/2018	Basara	D7/300
D498,638	S *	11/2004	Morrison	D7/319	D827,355	S *	9/2018	Powell	D7/318
D512,597	S *	12/2005	Bjorn	D7/316	D834,884	S *	12/2018	McConnell	D7/397
D544,288	S *	6/2007	Berlencourt	D7/319	D856,732	S *	8/2019	Ren	D7/318
D553,898	S *	10/2007	De'Longhi	D7/312	D856,734	S *	8/2019	Lee	D7/318
D562,053	S *	2/2008	Cohen	D7/322	10,420,432	B1 *	9/2019	Krawczyk	A47G 19/12
D568,667	S *	5/2008	Appleton	D7/319	D862,964	S *	10/2019	Tokoi	D7/318
D581,718	S *	12/2008	Verdun	D7/319	D864,646	S *	10/2019	Josancy	D7/319
D584,559	S *	1/2009	Bodum	D7/319	D864,648	S *	10/2019	Josancy	D7/319
D587,059	S *	2/2009	Bodum	D7/319	D868,524	S *	12/2019	Miller	D7/316
D587,513	S *	3/2009	Bodum	D7/319	D872,515	S *	1/2020	Powell	D7/319
D595,534	S *	7/2009	Mankowitz	D7/319	D876,869	S *	3/2020	Ha	D7/311
D598,696	S *	8/2009	Bodum	D7/319	D878,135	S *	3/2020	Bodum	D7/317
D599,160	S *	9/2009	Cooling	D7/319	D878,848	S *	3/2020	Hu	D7/317
D599,161	S *	9/2009	Friel, Sr.	D7/319	D879,536	S *	3/2020	Fisher Wong	D7/319
D603,209	S *	11/2009	Bodum	D7/319	D880,925	S *	4/2020	Saul	D7/317
D603,647	S *	11/2009	Bodum	D7/317	D880,926	S *	4/2020	Thun	D7/317
D607,686	S *	1/2010	Elissen	D7/319	D883,728	S *	5/2020	Gort-Barten	A47J 37/00
D608,133	S *	1/2010	Choi	D7/319					D7/319
D611,288	S *	3/2010	Bodum	D7/319	D884,406	S *	5/2020	Krawczyk	D7/312
D622,090	S *	8/2010	Bodum	D7/319	D885,107	S *	5/2020	Katsunuma	D7/312
D624,348	S *	9/2010	Bodum	D7/319	D885,110	S *	5/2020	Katsunuma	D7/312
D628,008	S *	11/2010	Dahlstrom	D7/319	D885,840	S *	6/2020	Song	D7/518
D630,463	S *	1/2011	Picozza	D7/317	D889,894	S *	7/2020	Hu	D7/319
D630,882	S *	1/2011	Cohen	D7/317	D889,896	S *	7/2020	Liu	D7/322
D658,925	S *	5/2012	Horimoto	D7/319	D899,174	S *	10/2020	Gordon	D7/318
D680,792	S *	4/2013	Bodum	D7/319	D918,636	S *	5/2021	Mangiarotti	D7/318
D682,600	S *	5/2013	De Leo	D7/319	D928,543	S *	8/2021	Jin	D7/319
D685,219	S *	7/2013	Ciampa	D7/319	D937,028	S *	11/2021	Josancy	D7/319
D686,034	S *	7/2013	Bodum	D7/322	D943,333	S *	2/2022	Wu	D7/319
D686,864	S *	7/2013	Poul	D7/317	D943,334	S *	2/2022	Wu	D7/319
D688,909	S *	9/2013	Chapman	D7/317	D946,960	S *	3/2022	Wu	D7/318
D692,715	S *	11/2013	Tsui	D7/312	D946,970	S *	3/2022	Minard	D7/412
D709,724	S *	7/2014	Mander	D7/322	2001/0052516	A1 *	12/2001	Chan	A47J 31/4457
D714,581	S *	10/2014	Shao	D7/319					219/438
D717,092	S *	11/2014	Kotani	D7/319	2004/0149729	A1 *	8/2004	Kressmann	A47J 27/21091
D718,970	S *	12/2014	Chen	D7/322					219/494
D718,974	S *	12/2014	De'Longhi	D7/321	2007/0000906	A1 *	1/2007	Kaastra	A47J 27/21
D726,485	S *	4/2015	Mullen	D7/319					219/441
D726,486	S *	4/2015	Averty	D7/319	2007/0169629	A1 *	7/2007	Shao	A47J 31/303
D727,085	S *	4/2015	Kotani	D7/319					99/275
D727,675	S *	4/2015	Garvey	D7/322	2012/0091117	A1 *	4/2012	Cheng	A47J 27/2105
D738,669	S *	9/2015	Brook	D7/317					219/385
D747,130	S *	1/2016	Kunz	D7/319	2016/0192803	A1 *	7/2016	Doyle	A47J 27/21008
D752,375	S *	3/2016	Maitland	D7/317					219/439
D752,911	S *	4/2016	Bazzicalupo	D7/322	2016/0374500	A1 *	12/2016	Bugatti	A47J 27/21141
D769,665	S *	10/2016	Friel, Jr.	D7/312					219/435
D777,500	S *	1/2017	Lee	D7/319	2017/0020325	A1 *	1/2017	Davis	A47J 27/12
D779,259	S *	2/2017	De'Longhi	D7/322	2017/0135513	A1 *	5/2017	Geurts	A47J 27/2105
D779,260	S *	2/2017	De'Longhi	D7/321	2018/0296025	A1 *	10/2018	Pan	A47J 31/0626
D788,511	S *	6/2017	Powell	D7/318	2019/0104880	A1 *	4/2019	Ghalambor Dezfuli	A47J 31/005
D789,725	S *	6/2017	Kestenbaum	D7/317					2019/0285456
D789,726	S *	6/2017	Adeloju	D7/319	2019/0285456	A1 *	9/2019	Watanabe	G01F 22/00
D795,630	S *	8/2017	McLean	D7/319	2020/0037806	A1 *	2/2020	Farhamandfar	A47J 27/21191
D796,247	S *	9/2017	Bazzicalupo	D7/322	2020/0268190	A1 *	8/2020	Psarologos	G05D 23/19
D799,257	S *	10/2017	Melzer	D7/317	2020/0297144	A1 *	9/2020	Ahn	A47J 27/21191
D807,102	S *	1/2018	Bodum	D7/318	2020/0297145	A1 *	9/2020	Park	A47J 27/2105
D816,384	S *	5/2018	Naden	D7/317	2020/0297147	A1 *	9/2020	Ahn	A47J 27/21066
D817,065	S *	5/2018	Chen	D7/319	2020/0297148	A1 *	9/2020	Park	A47J 27/21166
D818,756	S *	5/2018	Averty	D7/319	2020/0297149	A1 *	9/2020	Park	A47J 27/21166
					2020/0297151	A1 *	9/2020	Park	A47J 27/21166
					2021/0100391	A1 *	4/2021	Moon	A47J 27/088

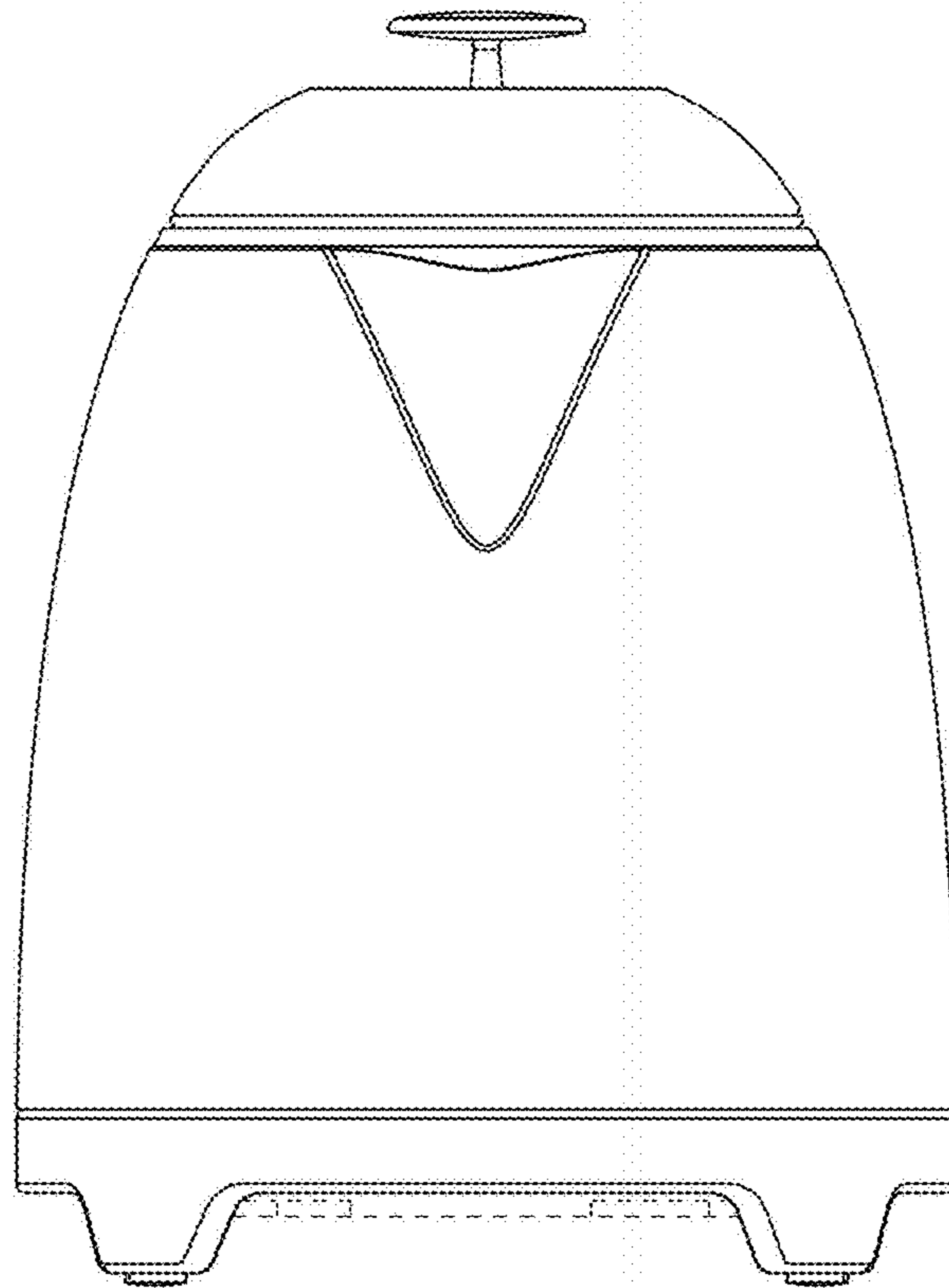
* cited by examiner



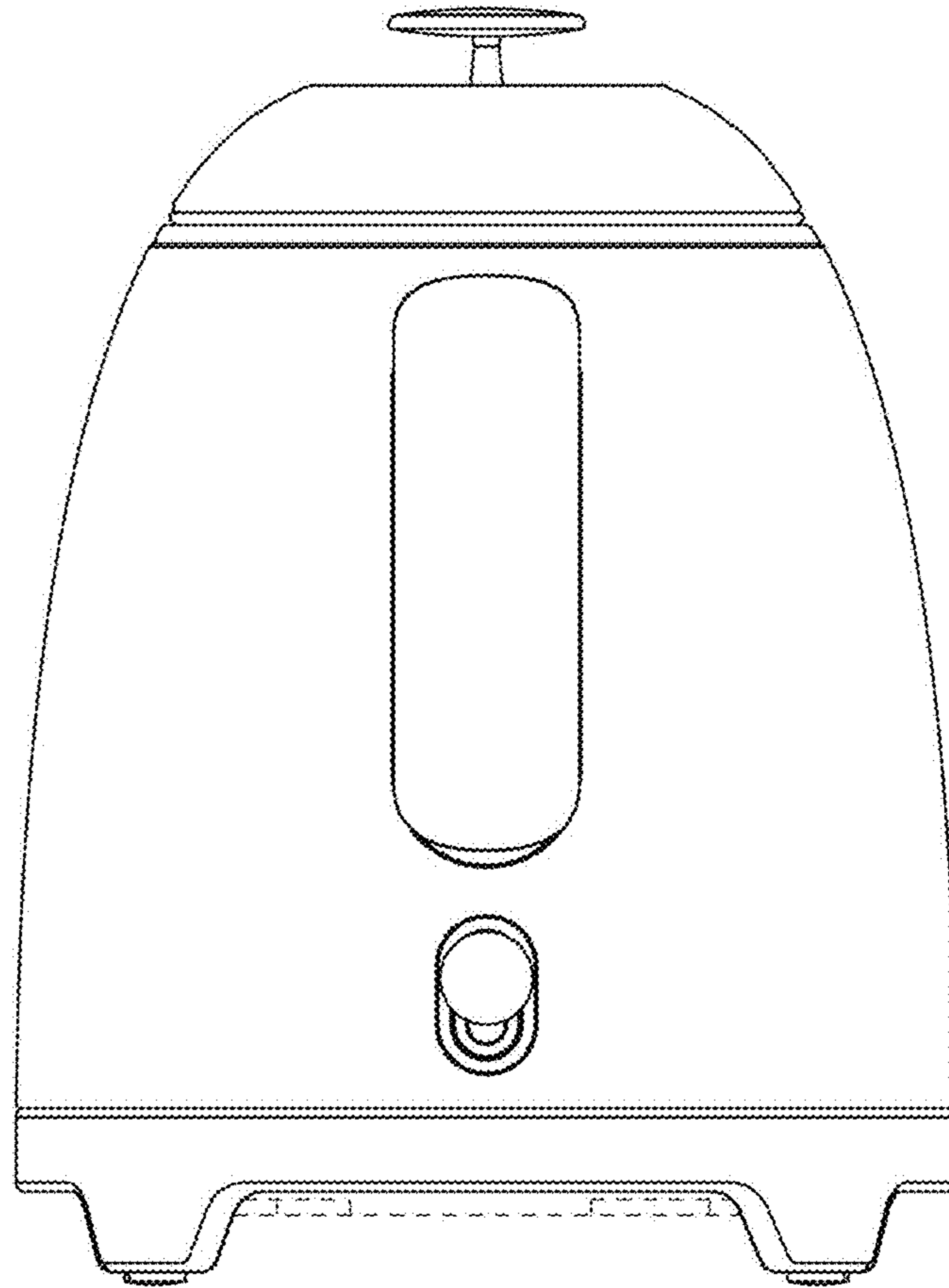
1.1



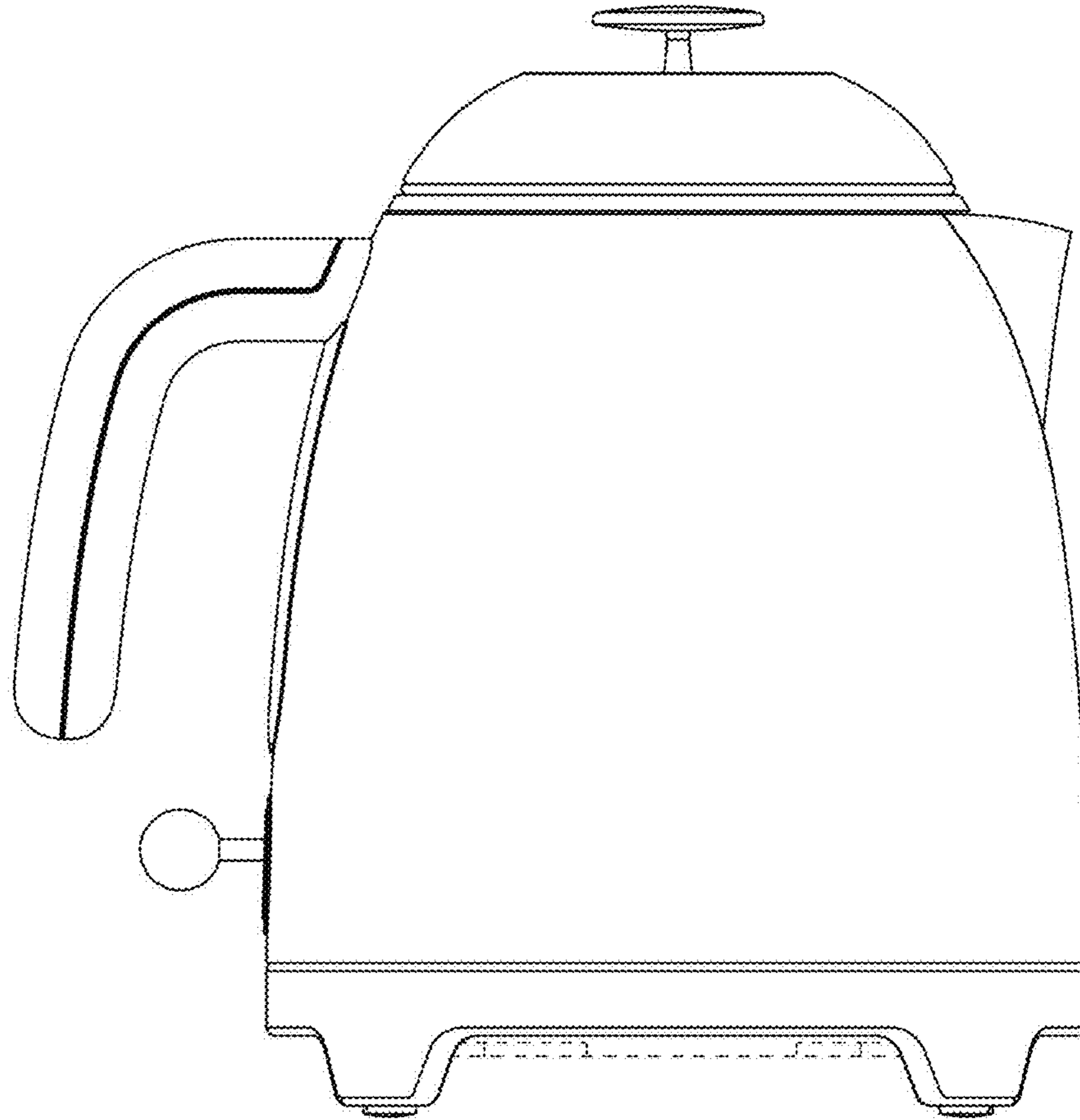
1.2



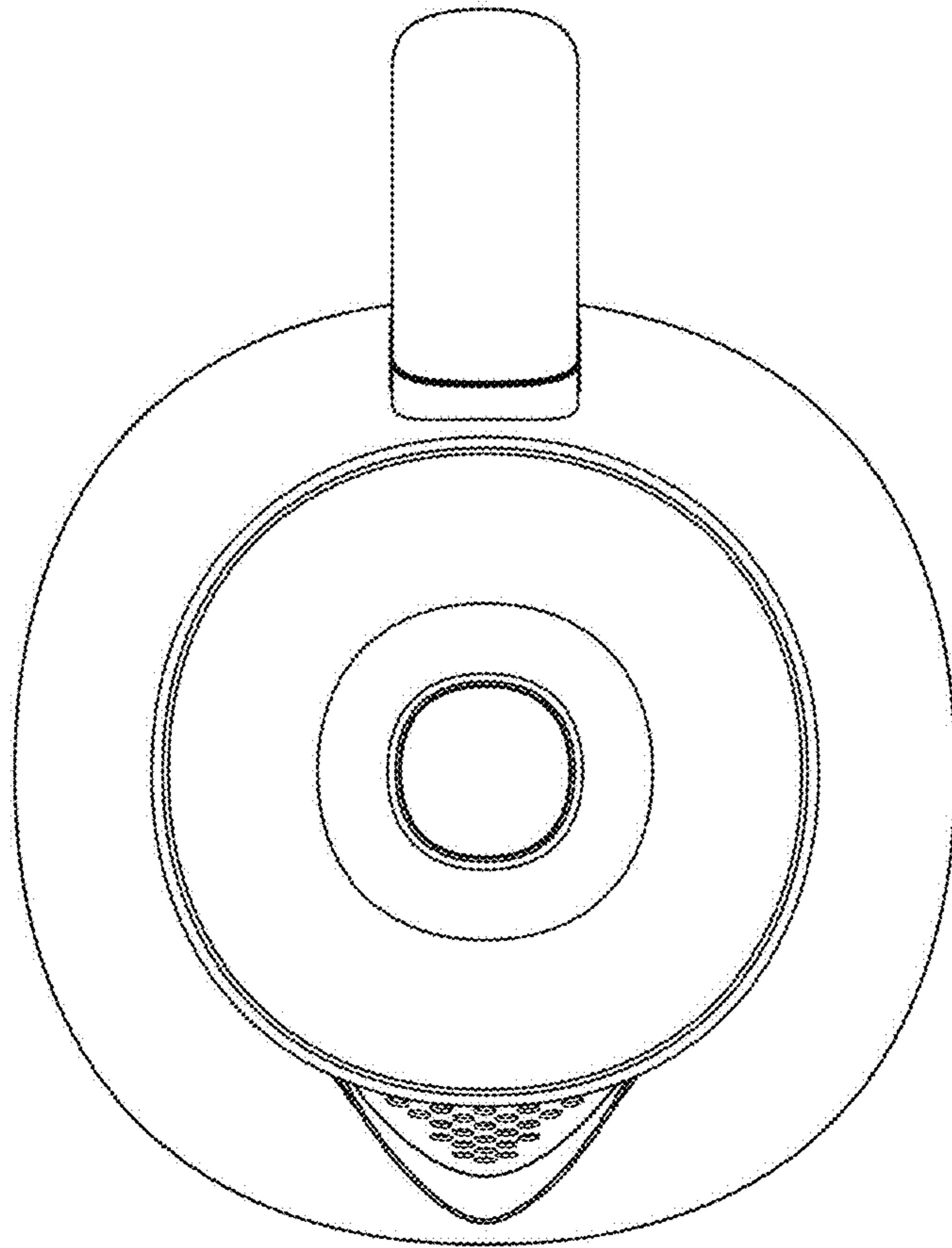
1.3



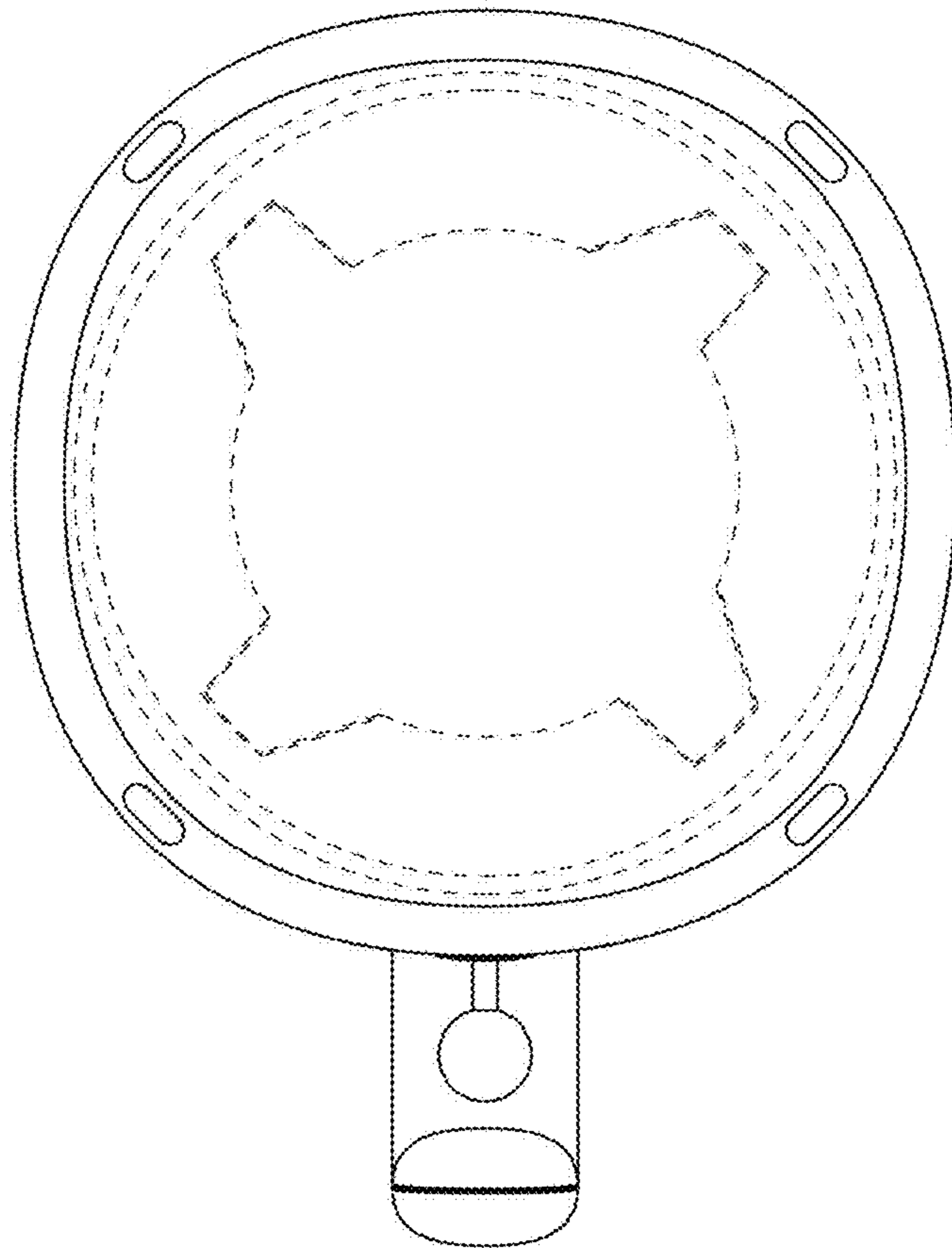
1.4



1.5



1.6



1.7