

US00D969527S

(12) **United States Design Patent** (10) **Patent No.:** **US D969,527 S**  
**Clegg** (45) **Date of Patent:** **\*\* Nov. 15, 2022**

(54) **TABLETOP CORNER**

(71) Applicant: **LIFETIME PRODUCTS, INC.**,  
Clearfield, UT (US)

(72) Inventor: **Frank M. Clegg**, Fruit Heights, UT  
(US)

(73) Assignee: **LIFETIME PRODUCTS, INC.**,  
Clearfield, UT (US)

(\*\*) Term: **15 Years**

(21) Appl. No.: **29/724,968**

(22) Filed: **Feb. 20, 2020**

(51) **LOC (13) Cl.** ..... **06-06**

(52) **U.S. Cl.**  
USPC ..... **D6/707.26**

(58) **Field of Classification Search**  
USPC ..... D6/685, 686, 691, 702, 703, 704, 705,  
D6/705.2, 705.5, 707, 707.15, 707.19,  
D6/707.23, 707.24, 707.26  
CPC .... A47B 5/00; A47B 5/02; A47B 7/00; A47B  
11/00; A47B 13/00; A47B 13/08; A47B  
(Continued)

(56) **References Cited**

**U.S. PATENT DOCUMENTS**

2,846,283 A \* 8/1958 Pasewalk ..... A47B 13/083  
52/782.2  
D192,113 S \* 1/1962 Anderson ..... D25/119  
3,565,414 A 2/1971 Carslon  
(Continued)

**FOREIGN PATENT DOCUMENTS**

JP 1466723 3/2013  
JP 1466724 3/2013

**OTHER PUBLICATIONS**

U.S. Appl. No. 29/700,015, filed Jul. 30, 2019.  
(Continued)

*Primary Examiner* — Mary Ann Calabrese

(74) *Attorney, Agent, or Firm* — Maschoff Brennan

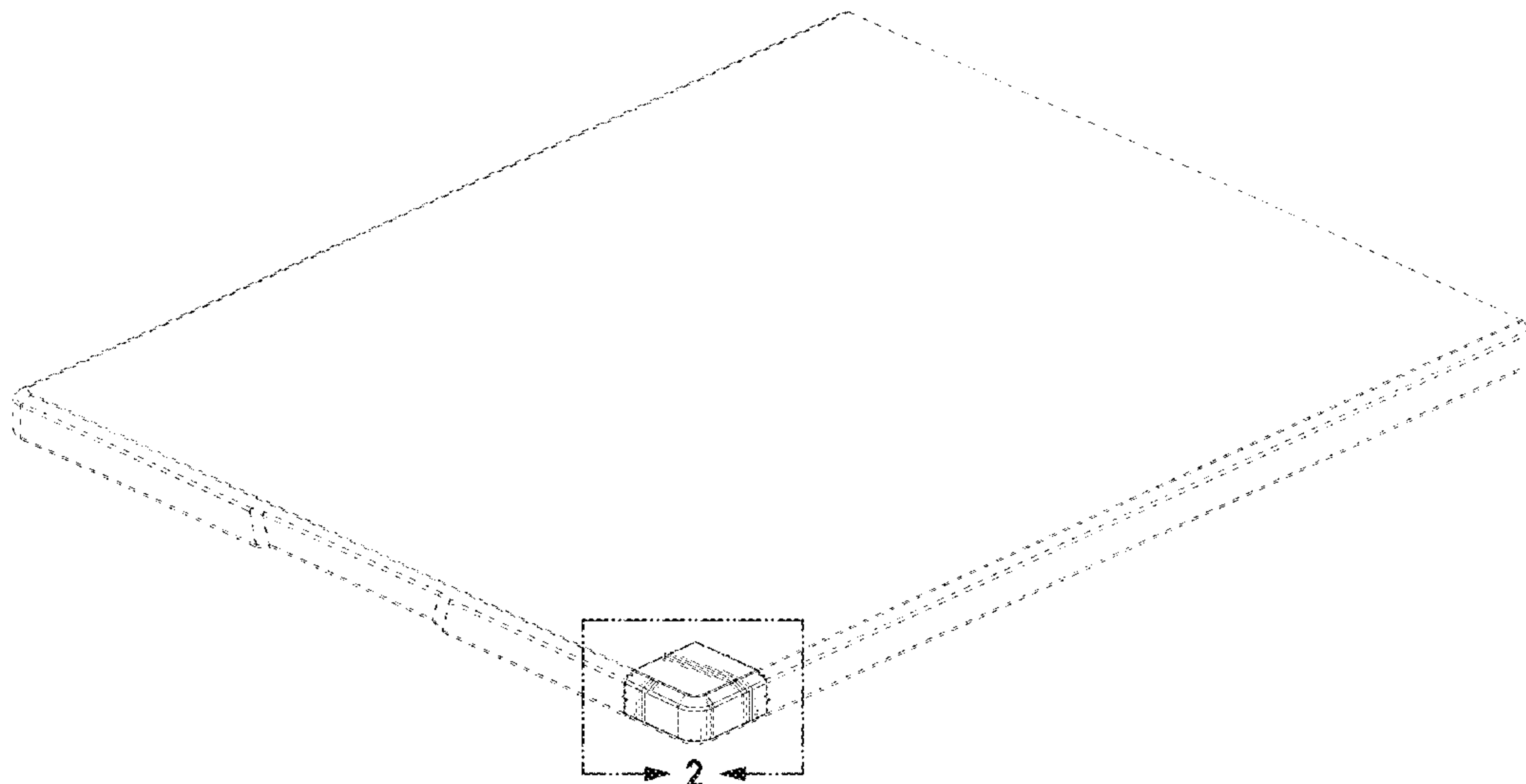
(57) **CLAIM**

The ornamental design for a tabletop corner, as shown and described.

**DESCRIPTION**

FIG. 1 is a top perspective view of a first embodiment of a tabletop corner showing my new design;  
FIG. 2 is an enlarged detailed view taken from the boxed area 2 shown on FIG. 1;  
FIG. 3 is right-side view of the tabletop corner shown in FIG. 2;  
FIG. 4 is a left-side view of the tabletop corner shown in FIG. 2;  
FIG. 5 is a top view of the tabletop corner shown in FIG. 2;  
FIG. 6 is a top perspective view of a second embodiment of a tabletop corner showing my new design;  
FIG. 7 is a bottom perspective view of the second embodiment of a tabletop corner;  
FIG. 8 is an enlarged detailed view taken from the boxed area 8 shown on FIG. 6;  
FIG. 9 is an enlarged detailed view taken from the boxed area 9 shown on FIG. 7;  
FIG. 10 is a right-side view of the tabletop corner shown in FIG. 8;  
FIG. 11 is a left-side view of the tabletop corner shown in FIG. 8;  
FIG. 12 is a top view of the tabletop corner shown in FIG. 8; and,  
FIG. 13 is a bottom view of the tabletop corner shown in FIG. 8.  
The evenly dashed broken line illustrates environment that form no part of the claimed design. The dot-dash broken lines represent the boundaries of the claim and form no part thereof.

**1 Claim, 13 Drawing Sheets**



(58) **Field of Classification Search**  
 CPC ..... 13/081; A47B 13/083; A47B 13/12; A47B  
 17/00; A47B 21/00; A47B 2200/0001  
 See application file for complete search history.

(56) **References Cited**

U.S. PATENT DOCUMENTS

5,173,348 A \* 12/1992 Gevaert ..... A47B 13/083  
 52/782.2

D332,711 S 1/1993 Olson  
 5,809,901 A 9/1998 Gutzmer  
 6,371,034 B1 4/2002 Simpson  
 D468,135 S \* 1/2003 Ashby ..... D6/707.26  
 D487,205 S \* 3/2004 Mower ..... A47B 3/087  
 D6/707.26

D489,557 S 5/2004 Strong  
 D495,173 S 8/2004 Heisey  
 D499,283 S 12/2004 Winter  
 6,912,961 B2 7/2005 Winter et al.  
 6,968,789 B2 11/2005 Baik et al.  
 7,051,662 B2 5/2006 Shenghao et al.  
 7,059,254 B2 6/2006 Strong et al.  
 7,096,799 B2 8/2006 Strong et al.  
 7,111,563 B2 9/2006 Strong  
 7,278,361 B2 10/2007 Zhurong et al.  
 7,331,297 B2 2/2008 Strong et al.  
 7,469,646 B2 12/2008 Baik et al.  
 7,475,642 B2 1/2009 Shenghao et al.  
 7,475,643 B2 1/2009 Haney et al.  
 7,475,644 B2 1/2009 Strong et al.  
 D585,684 S \* 2/2009 Frazier ..... A47B 13/083  
 D6/707.24

7,640,870 B2 1/2010 Strong et al.  
 7,644,667 B2 1/2010 Strong et al.  
 D619,831 S 7/2010 Branch  
 7,905,185 B2 3/2011 Peery et al.  
 D640,487 S 6/2011 Bennett  
 7,971,930 B2 7/2011 Larsen et al.  
 8,006,630 B2 8/2011 Strong et al.  
 8,033,228 B2 10/2011 Haney et al.  
 8,042,476 B2 10/2011 Stanford  
 8,069,796 B2 12/2011 Stanford  
 8,074,582 B2 12/2011 Stanford  
 8,156,875 B2 4/2012 Neunzert et al.  
 D658,912 S 5/2012 Winter et al.  
 D659,450 S 5/2012 Winter et al.  
 8,166,894 B1 5/2012 Branch et al.  
 D662,736 S 7/2012 Peery et al.  
 D662,738 S 7/2012 Winter et al.  
 D667,659 S 9/2012 Winter et al.  
 D668,483 S 10/2012 Bennett  
 8,302,541 B2 \* 11/2012 Haney ..... A47B 3/087  
 108/132

D671,773 S 12/2012 Johnson et al.  
 D671,775 S 12/2012 Clegg et al.  
 D671,776 S 12/2012 Clegg et al.  
 D672,175 S 12/2012 Peery et al.  
 8,342,107 B2 1/2013 Mower et al.  
 8,347,795 B2 1/2013 Peery et al.  
 8,375,871 B2 2/2013 Stanford  
 8,381,665 B2 2/2013 Stanford  
 8,381,666 B2 2/2013 Stanford  
 8,397,652 B2 3/2013 Peery et al.  
 8,397,653 B2 3/2013 Ashby et al.  
 8,408,146 B2 4/2013 Peery et al.  
 D681,982 S 5/2013 Clegg et al.  
 D682,586 S 5/2013 Clegg et al.  
 8,438,982 B2 5/2013 Stanford  
 D683,985 S 6/2013 Nye et al.  
 D688,496 S 8/2013 Bennett  
 8,534,205 B1 9/2013 Johnson et al.  
 8,544,393 B2 10/2013 Branch et al.  
 8,555,789 B2 10/2013 Jin et al.  
 8,555,790 B2 10/2013 Winter et al.

8,555,791 B2 10/2013 Jin et al.  
 8,573,139 B2 11/2013 Ashby  
 8,578,863 B2 11/2013 Peery et al.  
 8,578,865 B2 11/2013 Haney et al.  
 D696,882 S 1/2014 Clegg et al.  
 8,622,007 B2 1/2014 Peery et al.  
 D700,465 S 3/2014 Johnson et al.  
 D703,743 S 4/2014 Harvey Pennaz  
 8,683,929 B2 4/2014 Peery et al.  
 8,720,990 B2 5/2014 Boydston  
 8,726,817 B2 5/2014 Bennett et al.  
 8,739,707 B2 6/2014 Stanford  
 8,746,155 B2 6/2014 Haney et al.  
 8,757,069 B2 6/2014 Peery et al.  
 D708,462 S 7/2014 Nye et al.  
 D715,081 S 10/2014 Bennett  
 8,857,349 B2 10/2014 Peery et al.  
 D719,767 S 12/2014 Scharer  
 8,904,623 B2 12/2014 Stanford  
 8,904,943 B2 12/2014 Jin et al.  
 8,943,982 B2 2/2015 Peery et al.  
 D727,074 S 4/2015 Johnson et al.  
 8,997,663 B2 4/2015 Peery et al.  
 D733,475 S 7/2015 Johnson  
 D734,081 S 7/2015 Johnson et al.  
 9,101,209 B2 8/2015 Bennett et al.  
 D739,672 S 9/2015 Johnson et al.  
 D739,673 S 9/2015 Johnson  
 9,138,050 B2 9/2015 Peery et al.  
 D742,671 S 11/2015 Johnson  
 9,173,482 B2 11/2015 Peery et al.  
 9,192,229 B2 11/2015 Peery et al.  
 9,192,230 B2 11/2015 Clegg et al.  
 9,237,801 B2 1/2016 Stanford  
 D748,418 S 2/2016 Johnson et al.  
 D751,326 S 3/2016 Johnson  
 9,277,808 B2 3/2016 Cai et al.  
 9,307,831 B2 4/2016 Peery et al.  
 D756,694 S 5/2016 Johnson  
 9,351,563 B2 5/2016 Bennett et al.  
 D759,411 S 6/2016 Johnson et al.  
 9,486,076 B2 11/2016 Peery et al.  
 9,532,644 B2 1/2017 Nye et al.  
 9,549,612 B2 1/2017 Peery et al.  
 9,591,918 B2 3/2017 Nye et al.  
 9,642,459 B2 5/2017 Peery et al.  
 9,661,916 B2 5/2017 Peery et al.  
 9,730,514 B2 8/2017 Peery  
 9,763,513 B2 9/2017 Cai et al.  
 9,763,517 B2 9/2017 Peery et al.  
 9,848,699 B2 12/2017 Peery et al.  
 D863,853 S 10/2019 Johnson et al.  
 D864,637 S 10/2019 Johnson et al.  
 D865,417 S \* 11/2019 Chavarria ..... A47B 3/087  
 D6/686

D867,798 S \* 11/2019 Clegg ..... D6/707.26  
 D884,399 S 5/2020 Tan  
 10,806,247 B1 \* 10/2020 Chen ..... A47B 3/0913  
 D901,954 S 11/2020 Clegg  
 D903,390 S 12/2020 Leng  
 D904,814 S 12/2020 Leng  
 2003/0230219 A1 \* 12/2003 Strong ..... A47B 3/087  
 108/27

2005/0241551 A1 11/2005 Neunzert et al.  
 2013/0233210 A1 \* 9/2013 Jin ..... A47B 3/0818  
 108/166

2019/0298054 A1 \* 10/2019 Clegg ..... A47B 3/083  
 2020/0214440 A1 7/2020 Johnson et al.

OTHER PUBLICATIONS

U.S. Appl. No. 29/724,971, filed Feb. 20, 2020.  
 U.S. Appl. No. 29/727,212, filed Mar. 9, 2020.  
 U.S. Appl. No. 29/794,815, filed Jun. 15, 2021.

\* cited by examiner

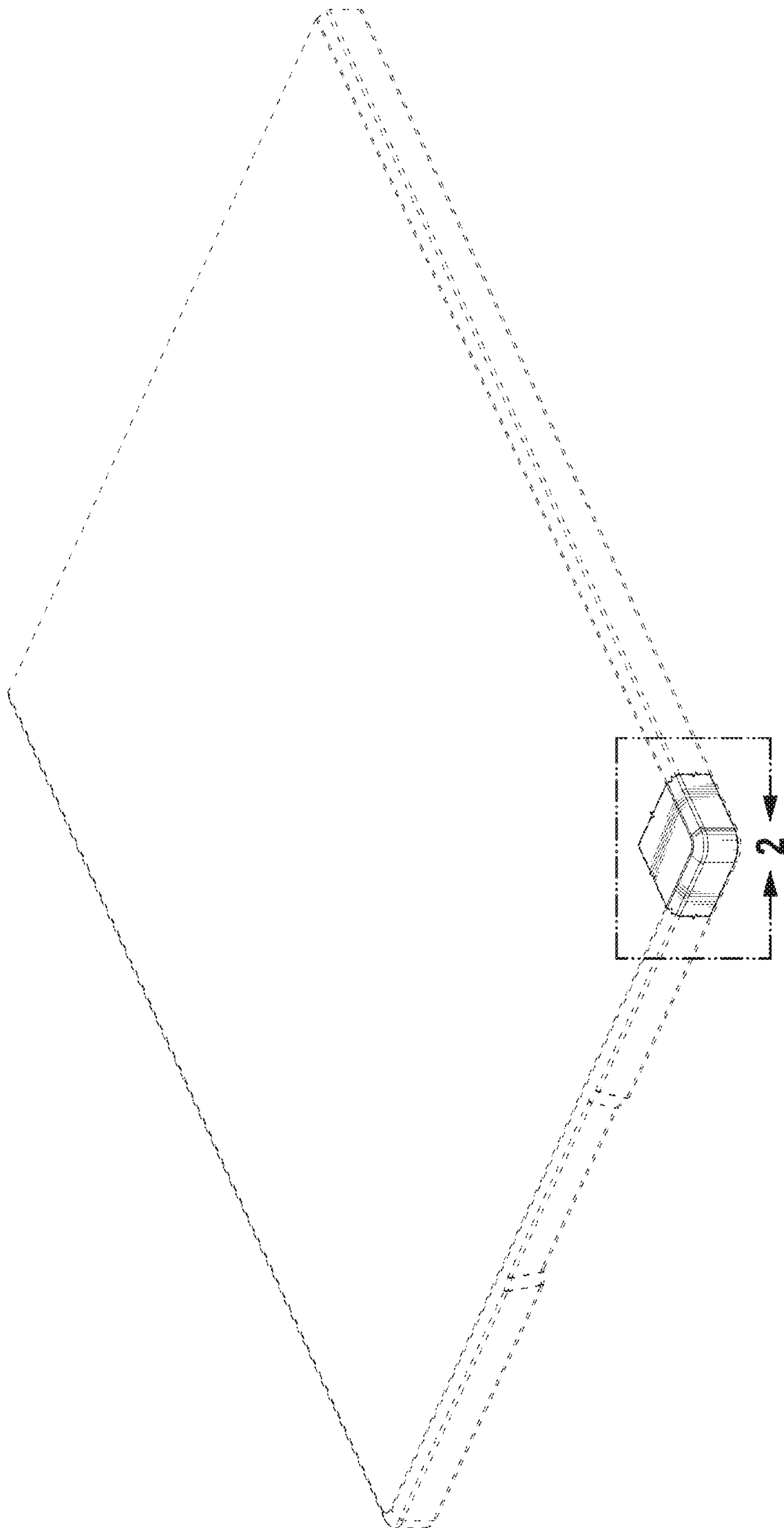


FIG. 1



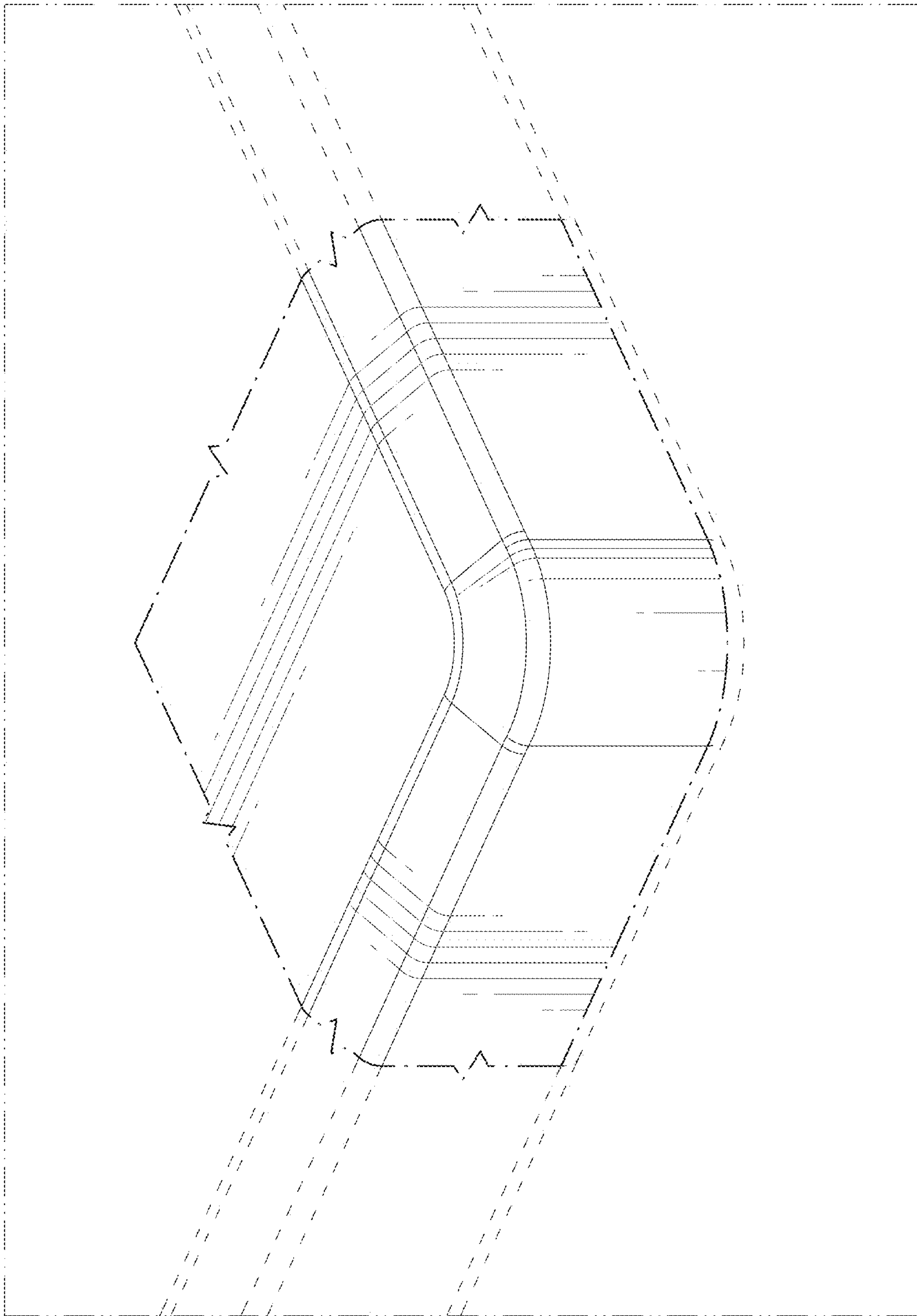


FIG. 2

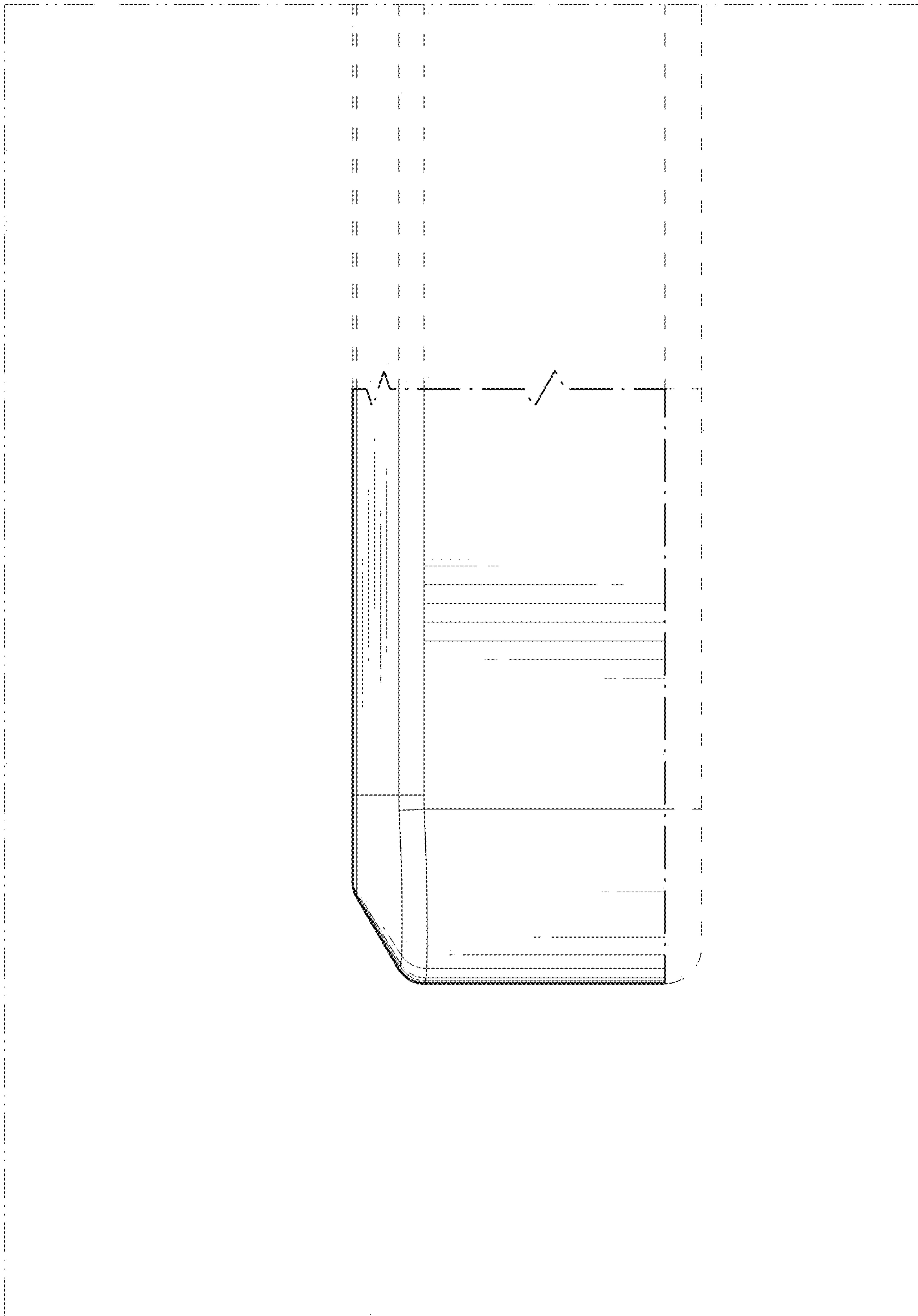


FIG. 3

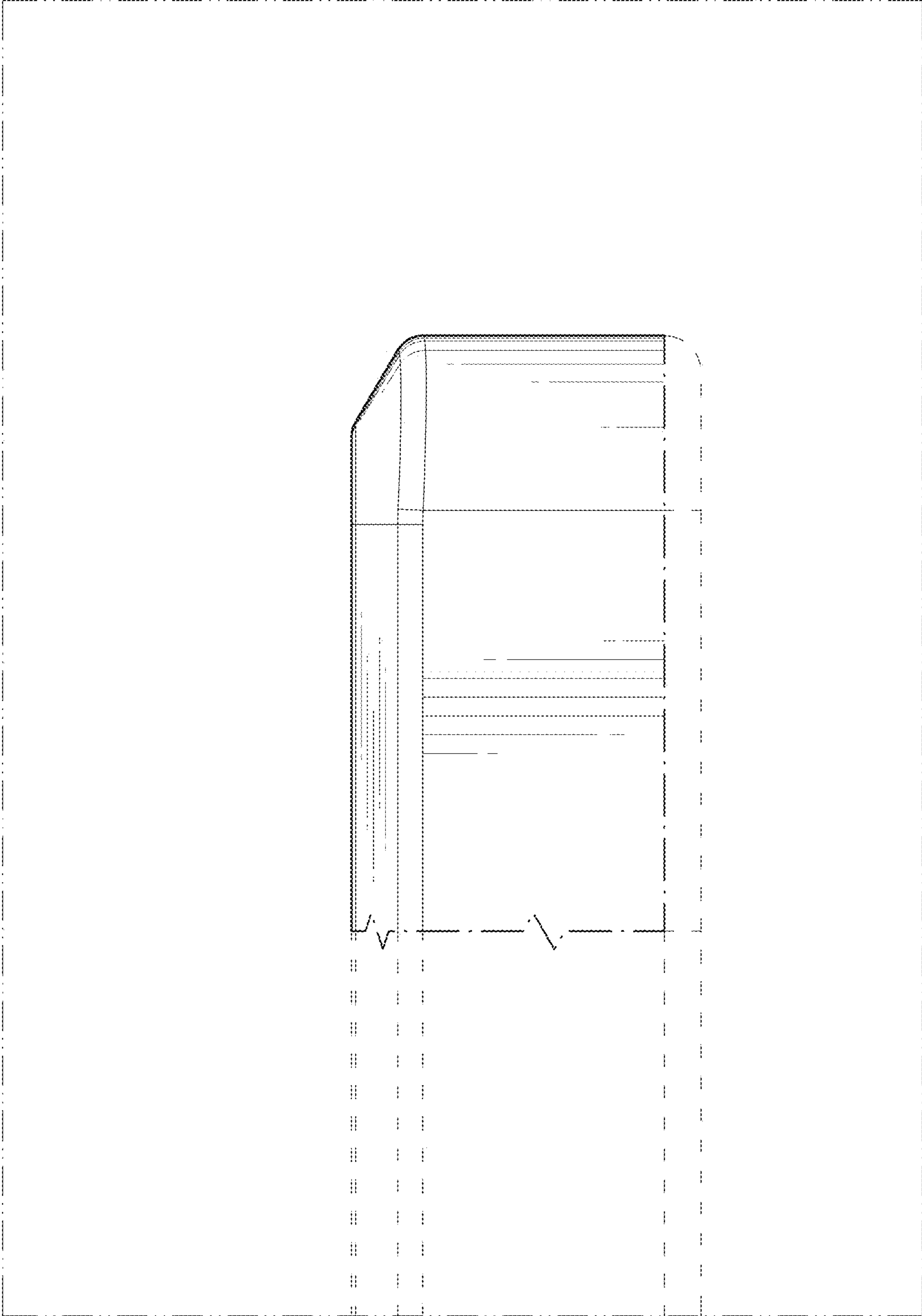


FIG. 4

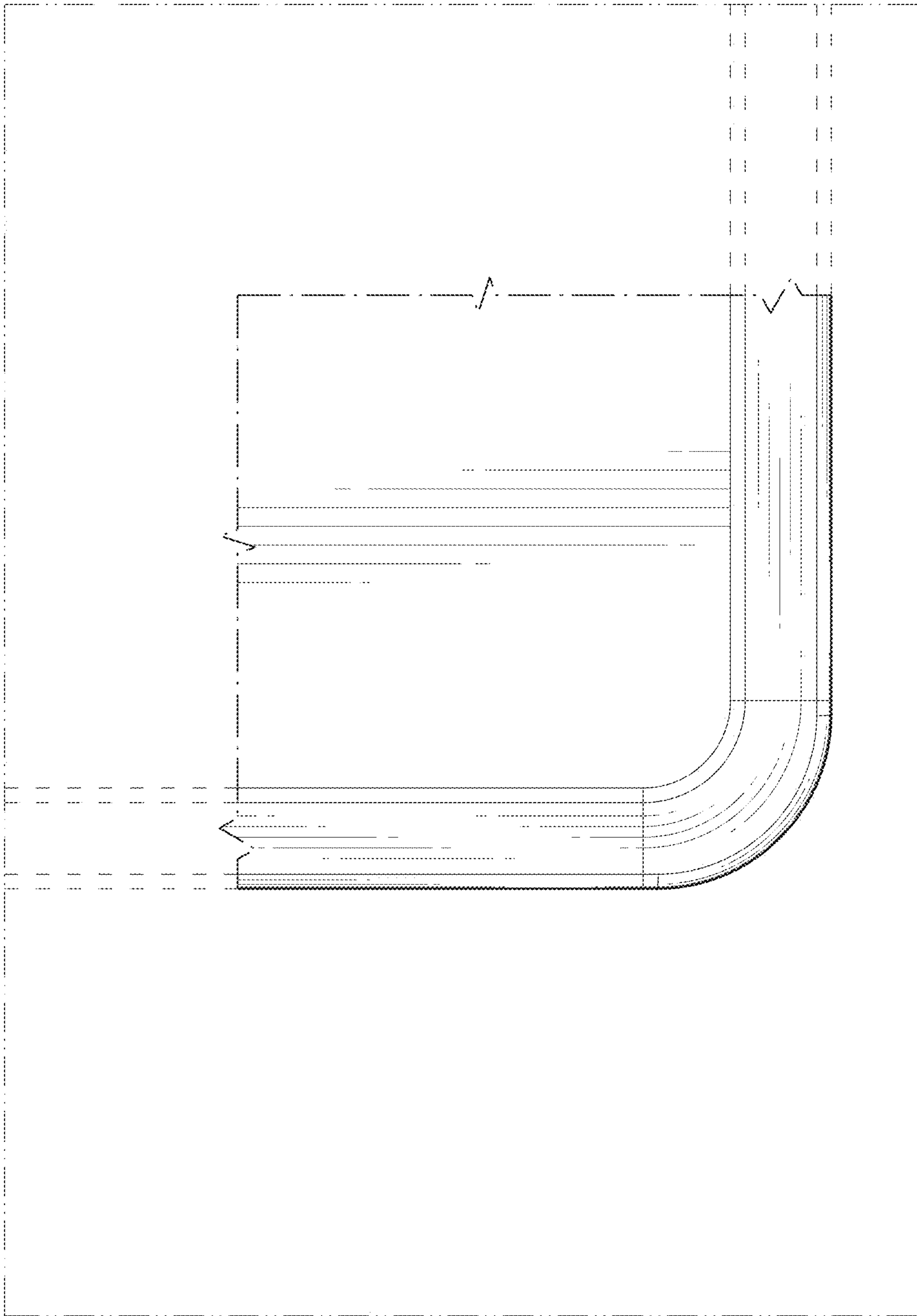


FIG. 5

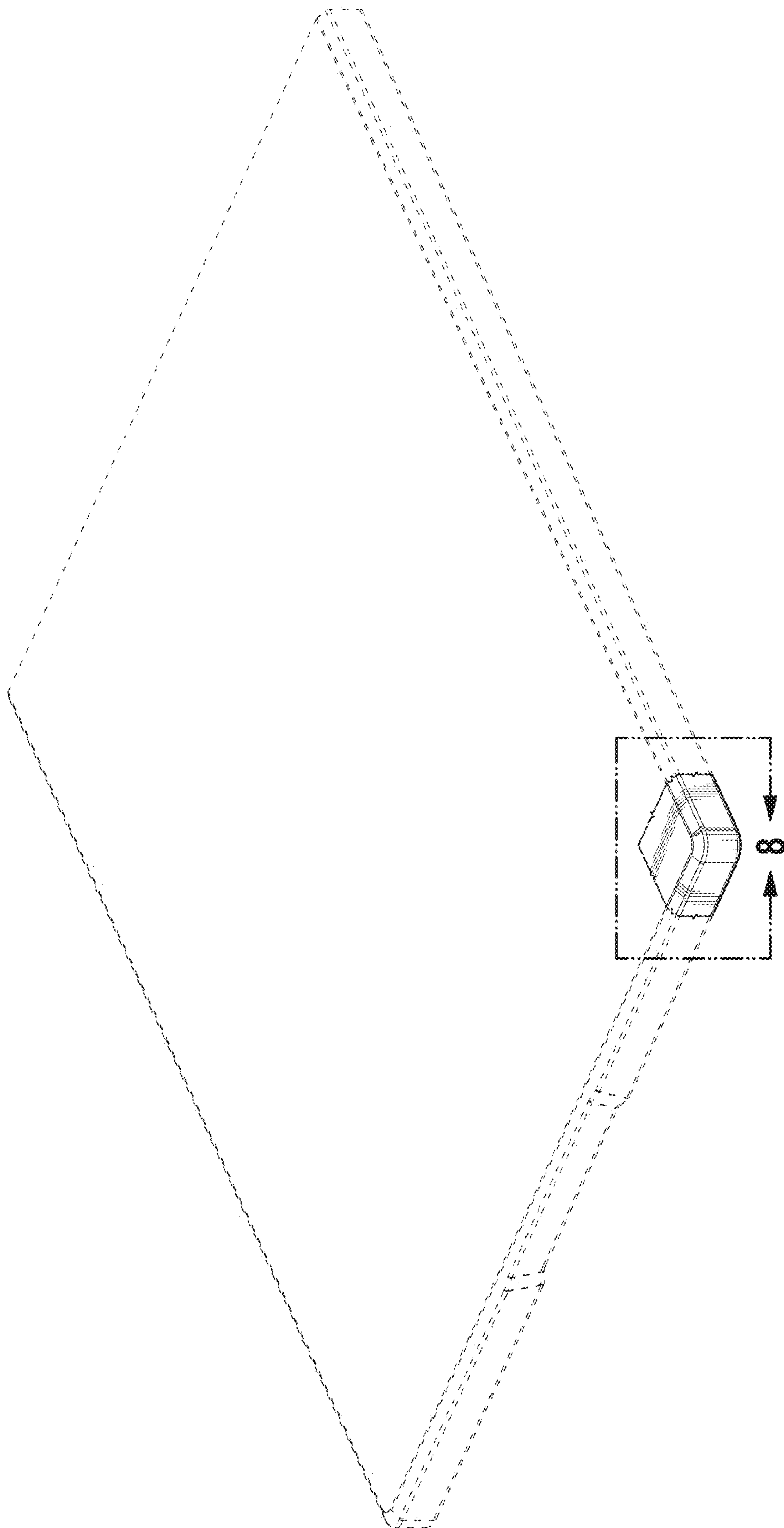


FIG. 6



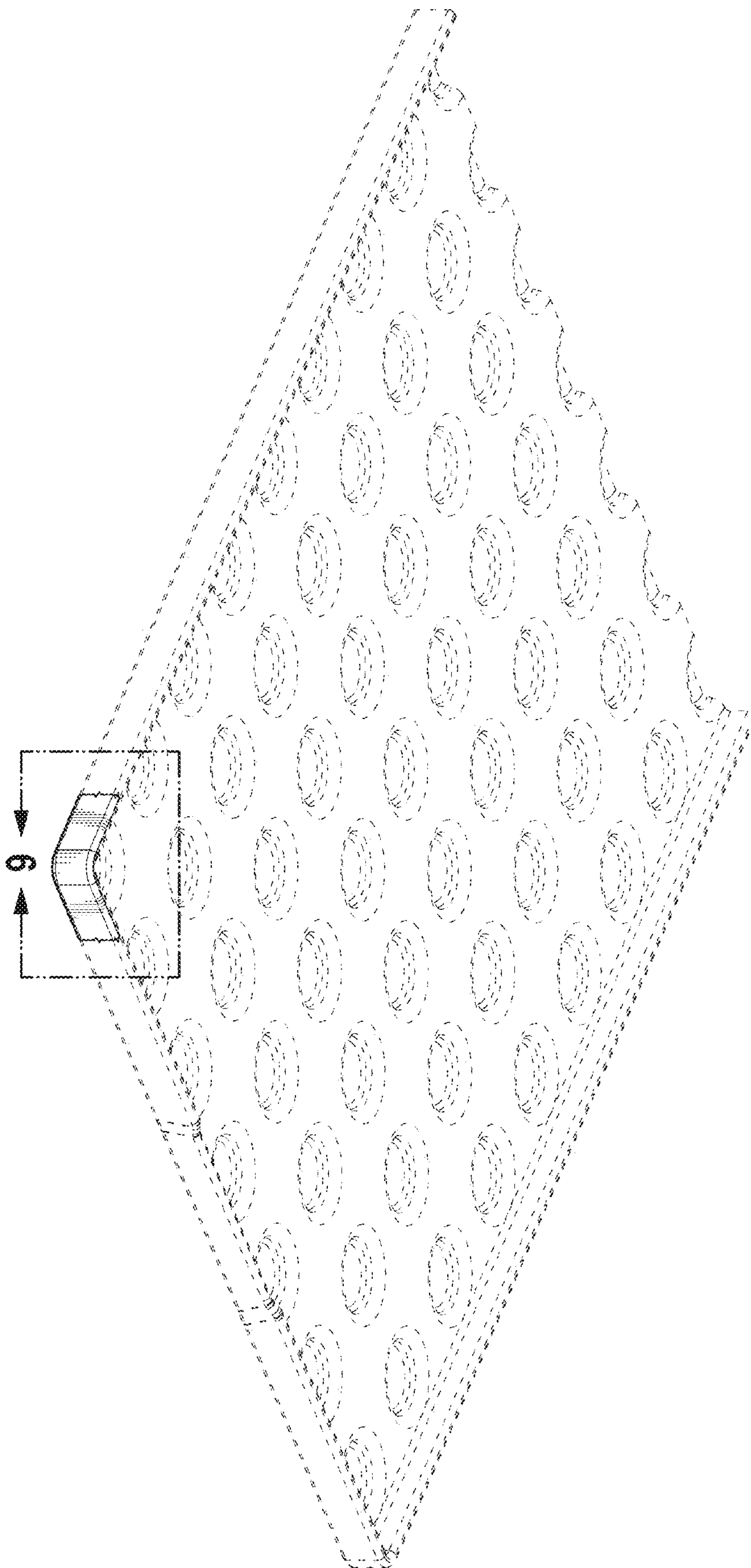


FIG. 7

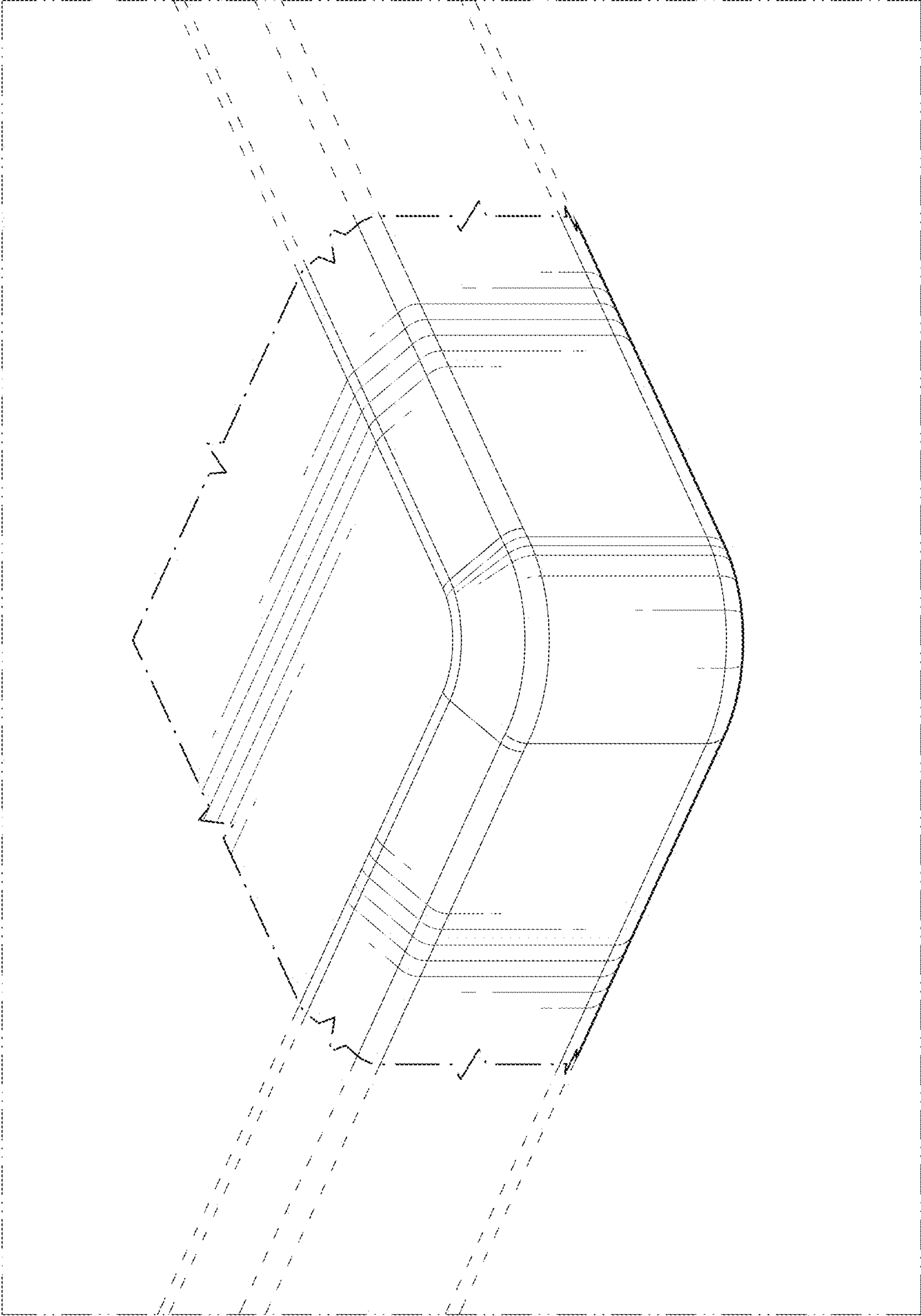


FIG. 8

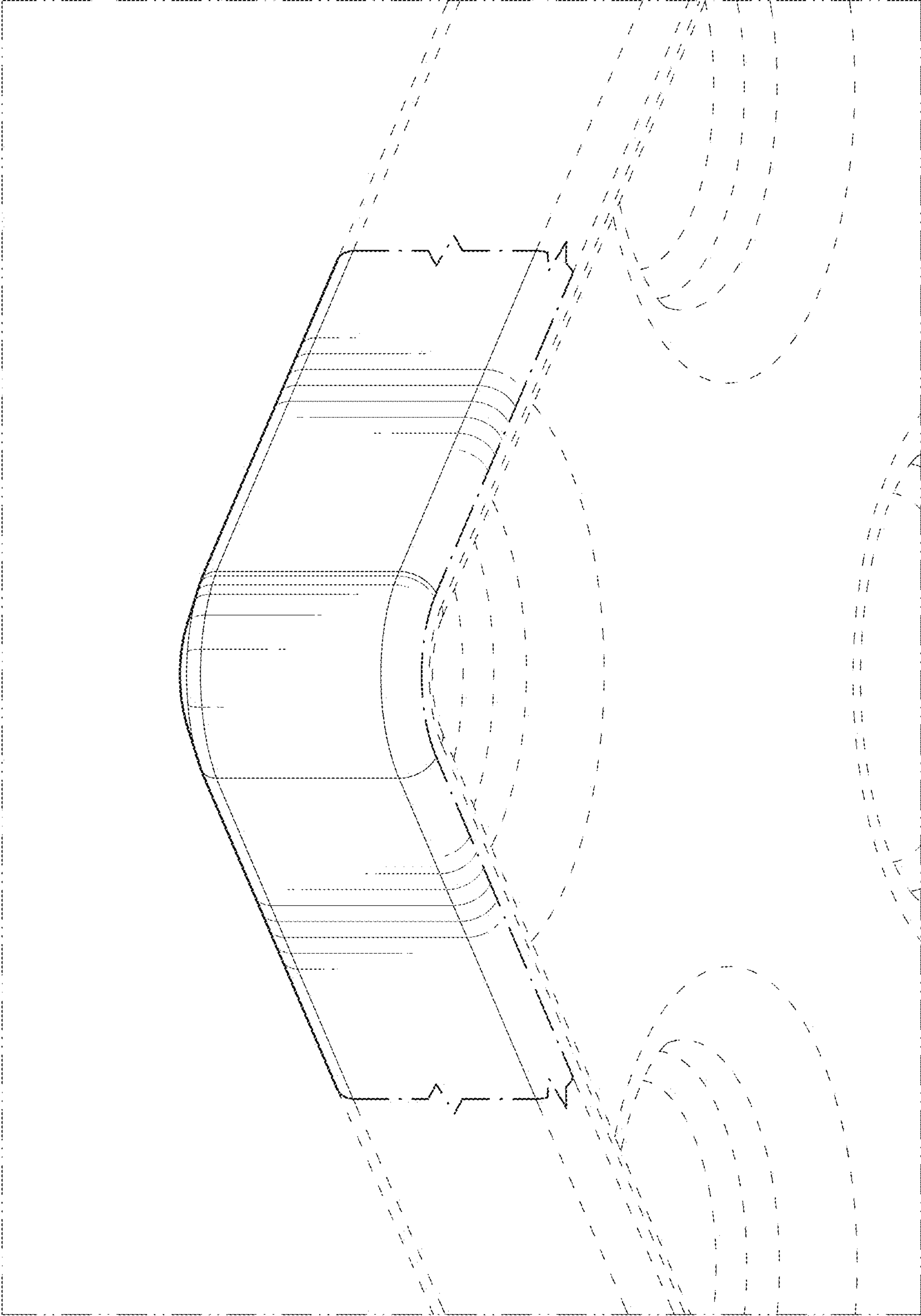


FIG. 9

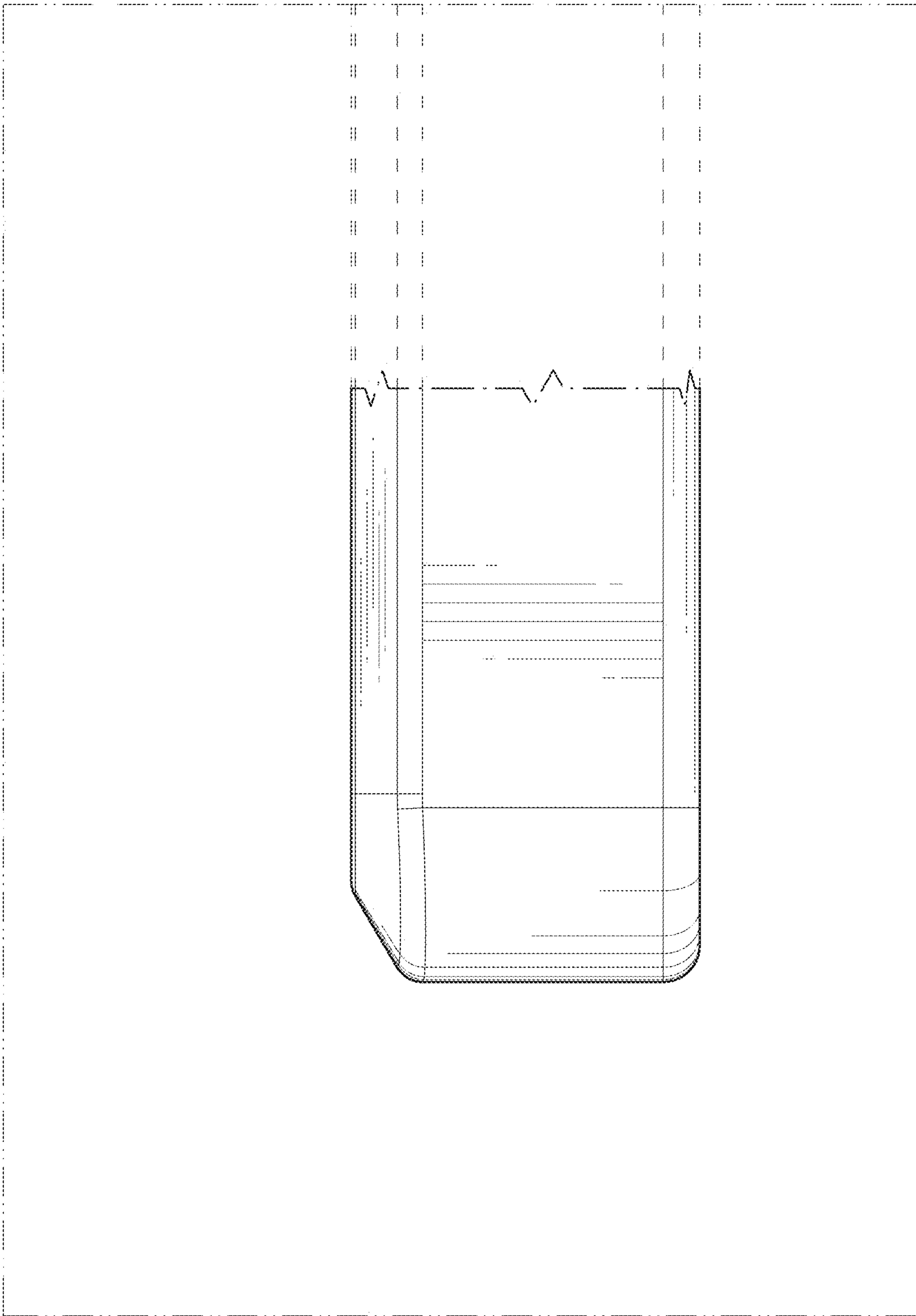


FIG. 10

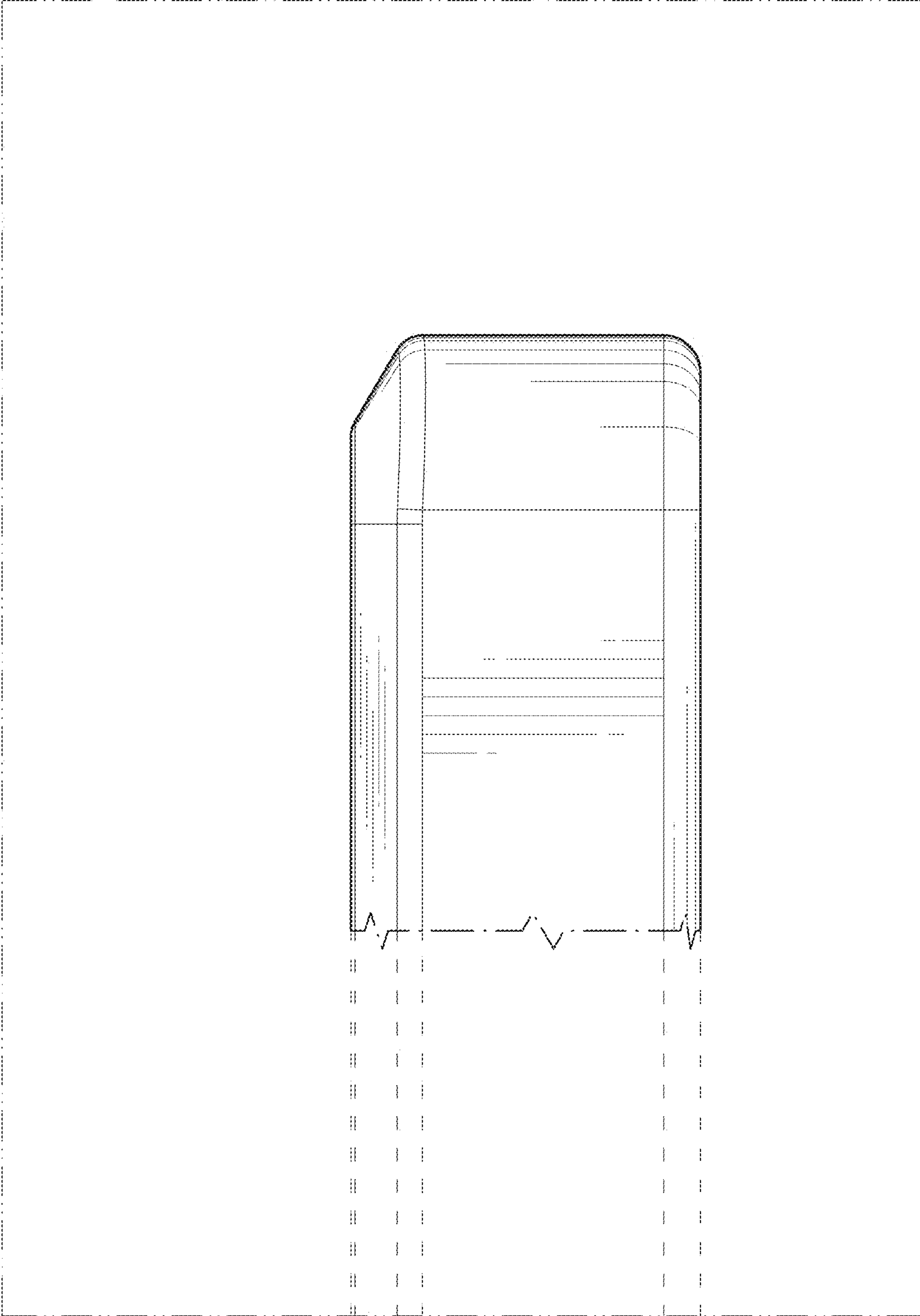


FIG. 11



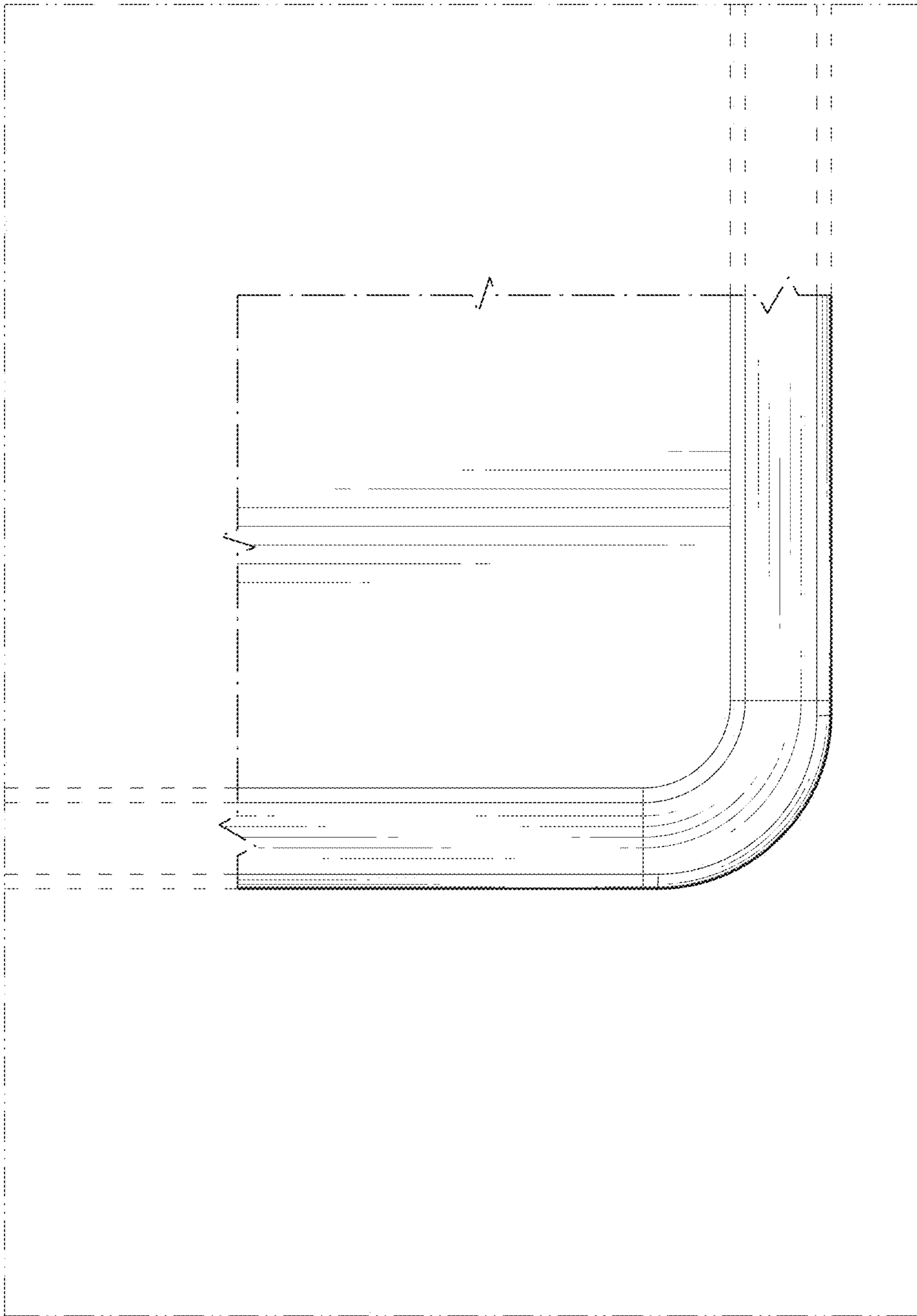


FIG. 12

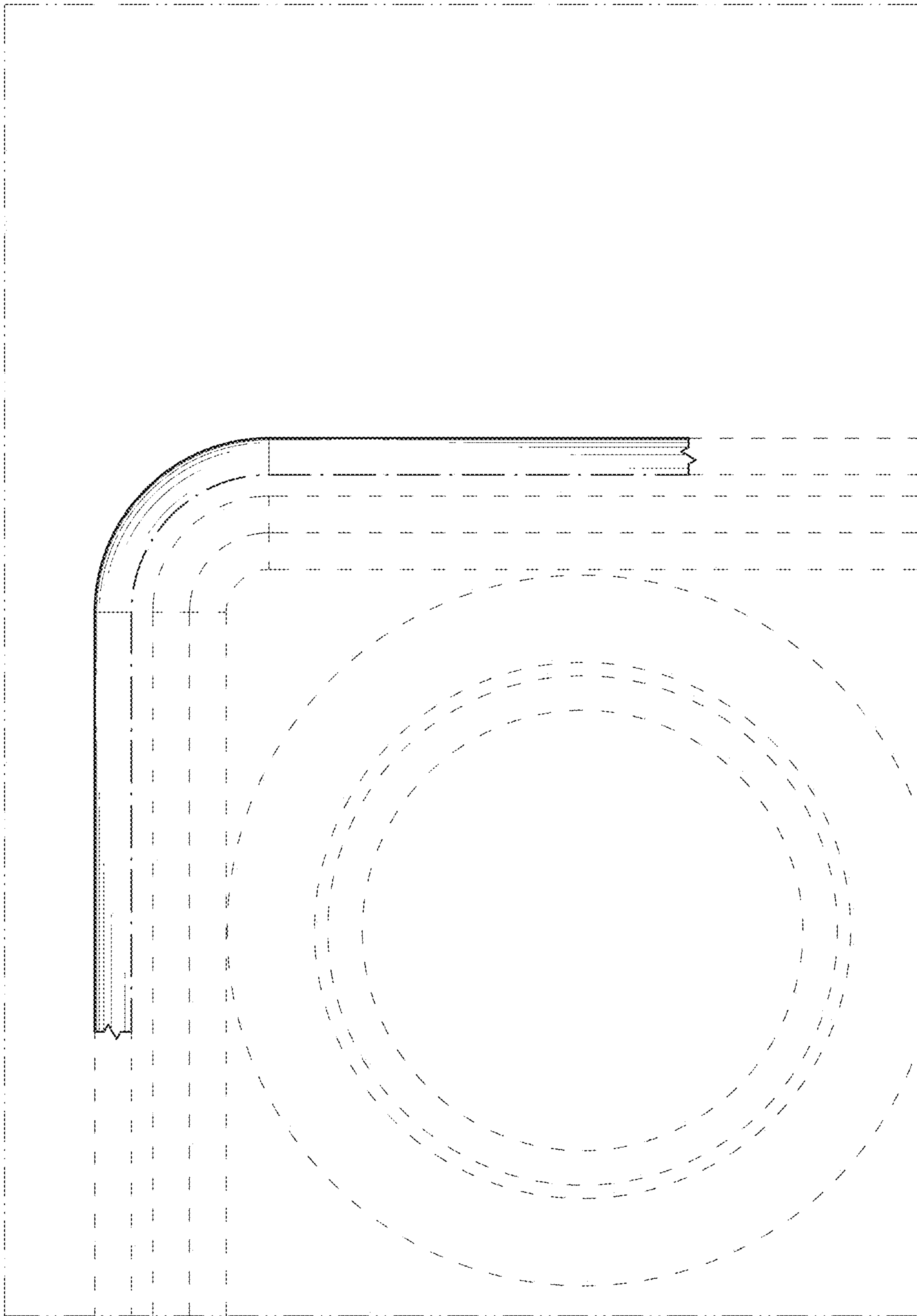


FIG. 13