



US00D969526S

(12) **United States Design Patent** (10) **Patent No.:** **US D969,526 S**  
**Lithgow et al.** (45) **Date of Patent:** **\*\* Nov. 15, 2022**

(54) **TABLE**

(71) Applicant: **Dmitriy & Company LLC**, New York, NY (US)

(72) Inventors: **Alexander Lithgow**, New York, NY (US); **Joshua Edward Dycus**, New York, NY (US); **Donata Blekhtser**, New York, NY (US); **Dmitriy Feldman**, New York, NY (US)

(73) Assignee: **DMITRIY & COMPANY LLC**, New York, NY (US)

(\*\*) Term: **15 Years**

(21) Appl. No.: **29/752,660**

(22) Filed: **Sep. 28, 2020**

(51) **LOC (13) Cl.** ..... **06-03**

(52) **U.S. Cl.**  
USPC ..... **D6/691.9**

(58) **Field of Classification Search**  
USPC ..... D6/685, 686, 690, 691, 691.1-691.9  
CPC ..... A47B 7/00; A47B 13/00; A47B 13/002;  
A47B 13/04; A47B 13/06; A47B 13/08;  
A47B 13/10; A47B 13/12; A47B 21/00;  
A47B 2200/0001; A47B 2200/0011;  
A47B 2200/002

See application file for complete search history.

(56) **References Cited**

U.S. PATENT DOCUMENTS

D204,990 S *	6/1966	Klein et al. ....	D6/691.2
D549,490 S *	8/2007	Brimacombe .....	D6/663
D663,973 S *	7/2012	Sullivan .....	D6/691.8
D717,082 S *	11/2014	Dworman .....	D6/657
D721,909 S *	2/2015	Huang .....	D6/691.9

\* cited by examiner

*Primary Examiner* — Mary Ann Calabrese

(74) *Attorney, Agent, or Firm* — Lewis Roca Rothgerber Christie LLP

(57) **CLAIM**

The ornamental design for a table, as shown and described.

**DESCRIPTION**

FIG. 1 is a perspective view of a table showing our new design;  
FIG. 2 is a top plan view thereof;  
FIG. 3 is a front elevation view thereof;  
FIG. 4 is a left side elevation view thereof, the right side being a mirror image;  
FIG. 5 is a rear elevation view thereof; and,  
FIG. 6 is an enlarged detailed view of the encircled area 9 shown in FIG. 1.

**1 Claim, 4 Drawing Sheets**

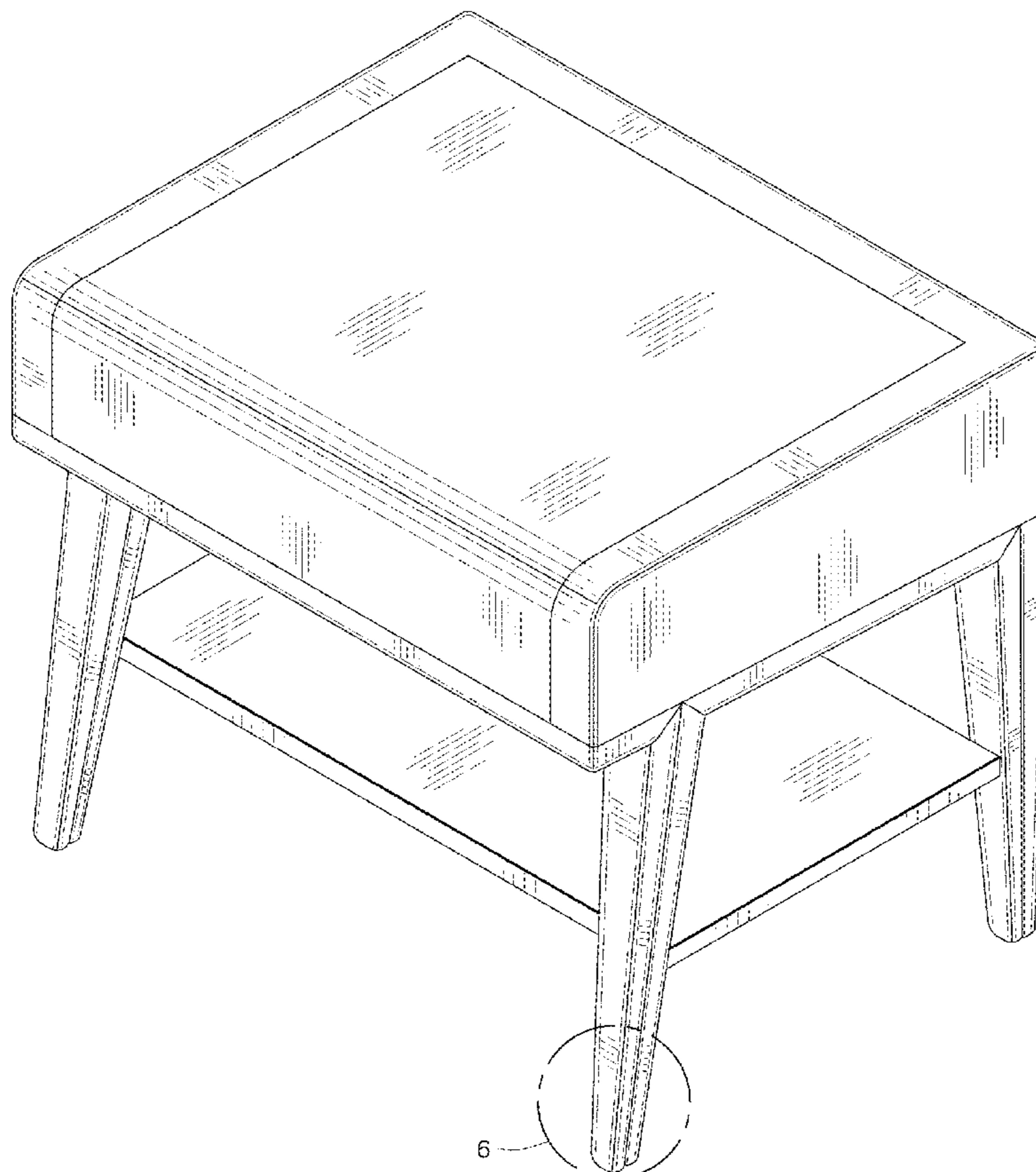


FIG. 1

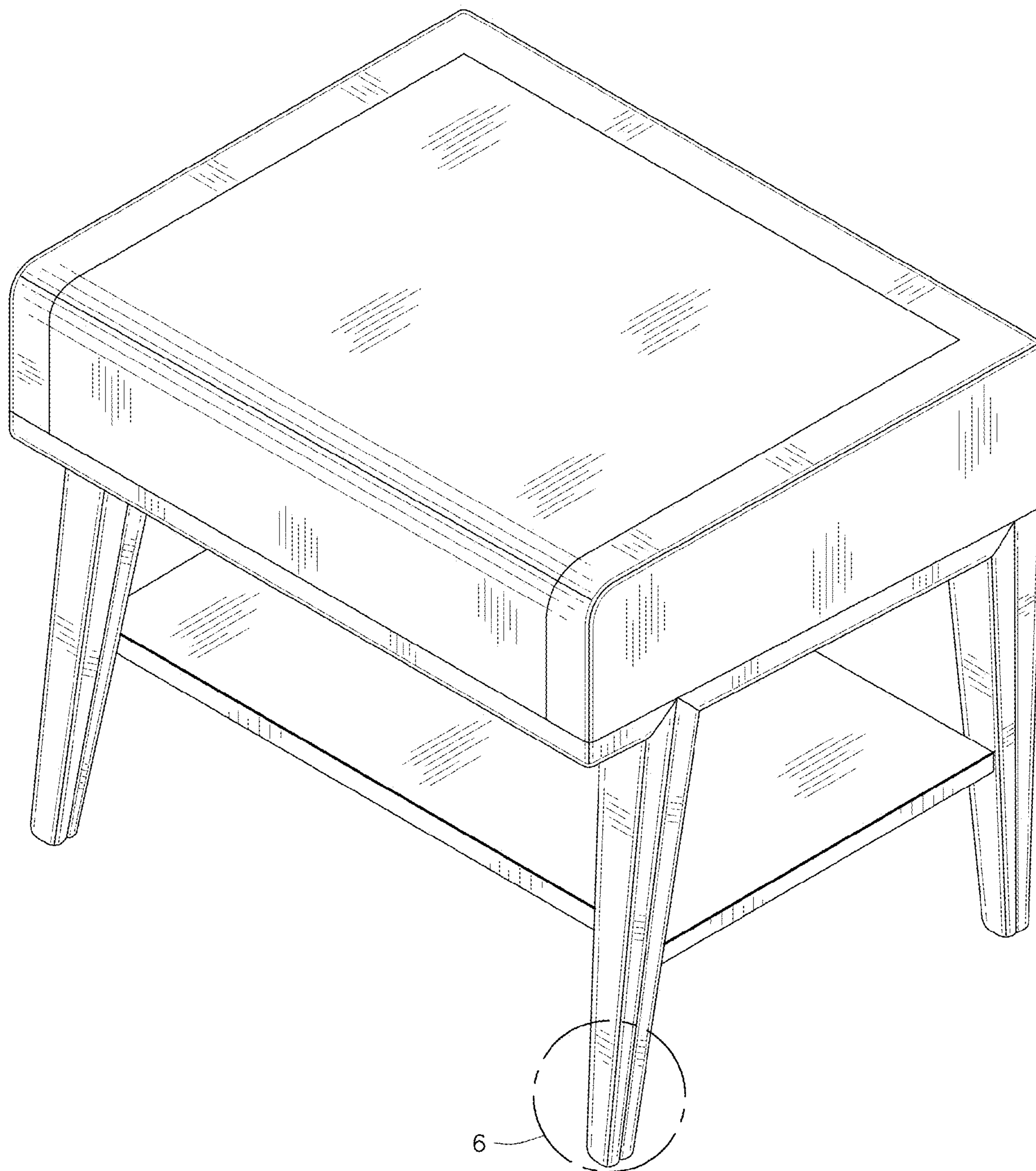


FIG. 2

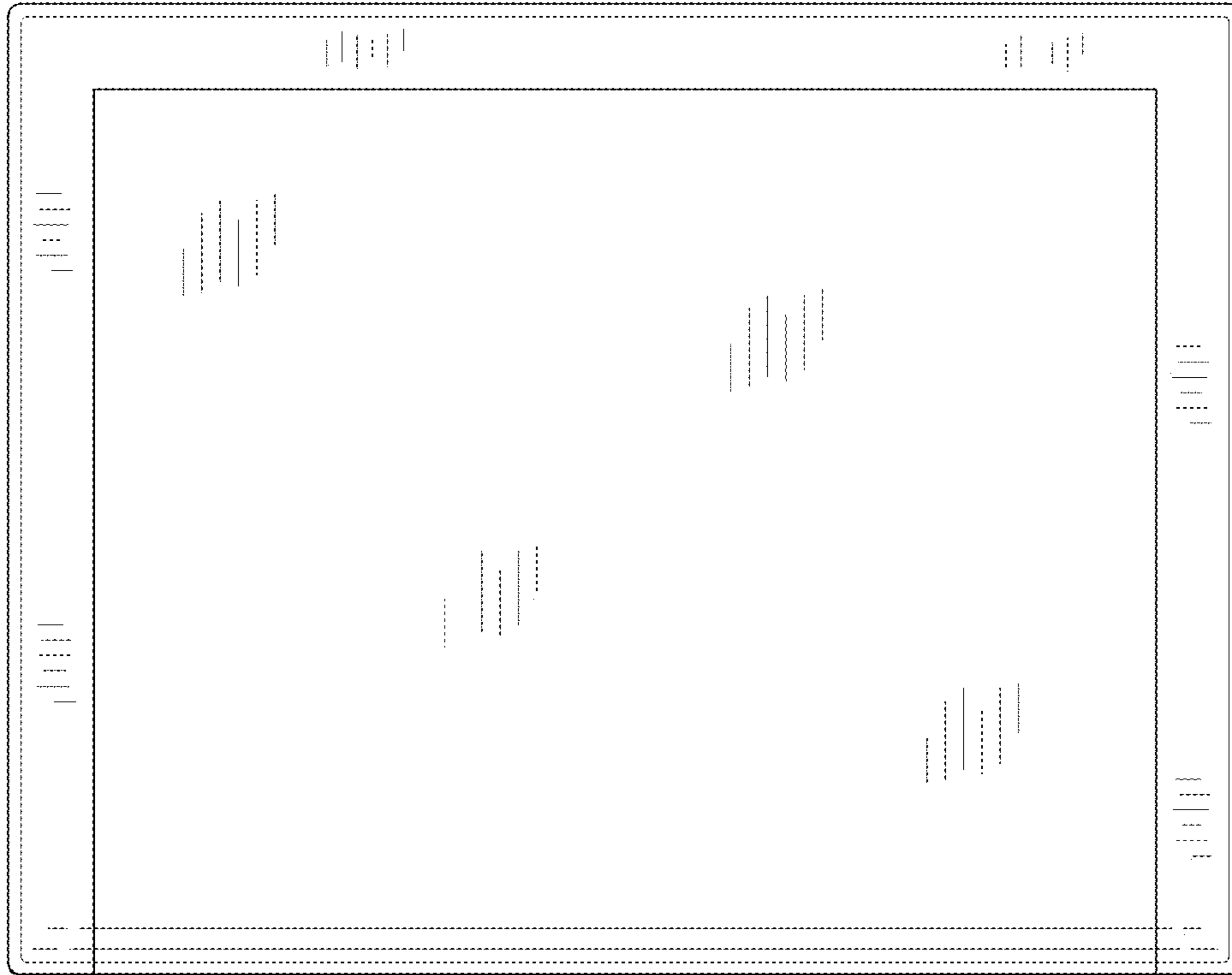


FIG. 3

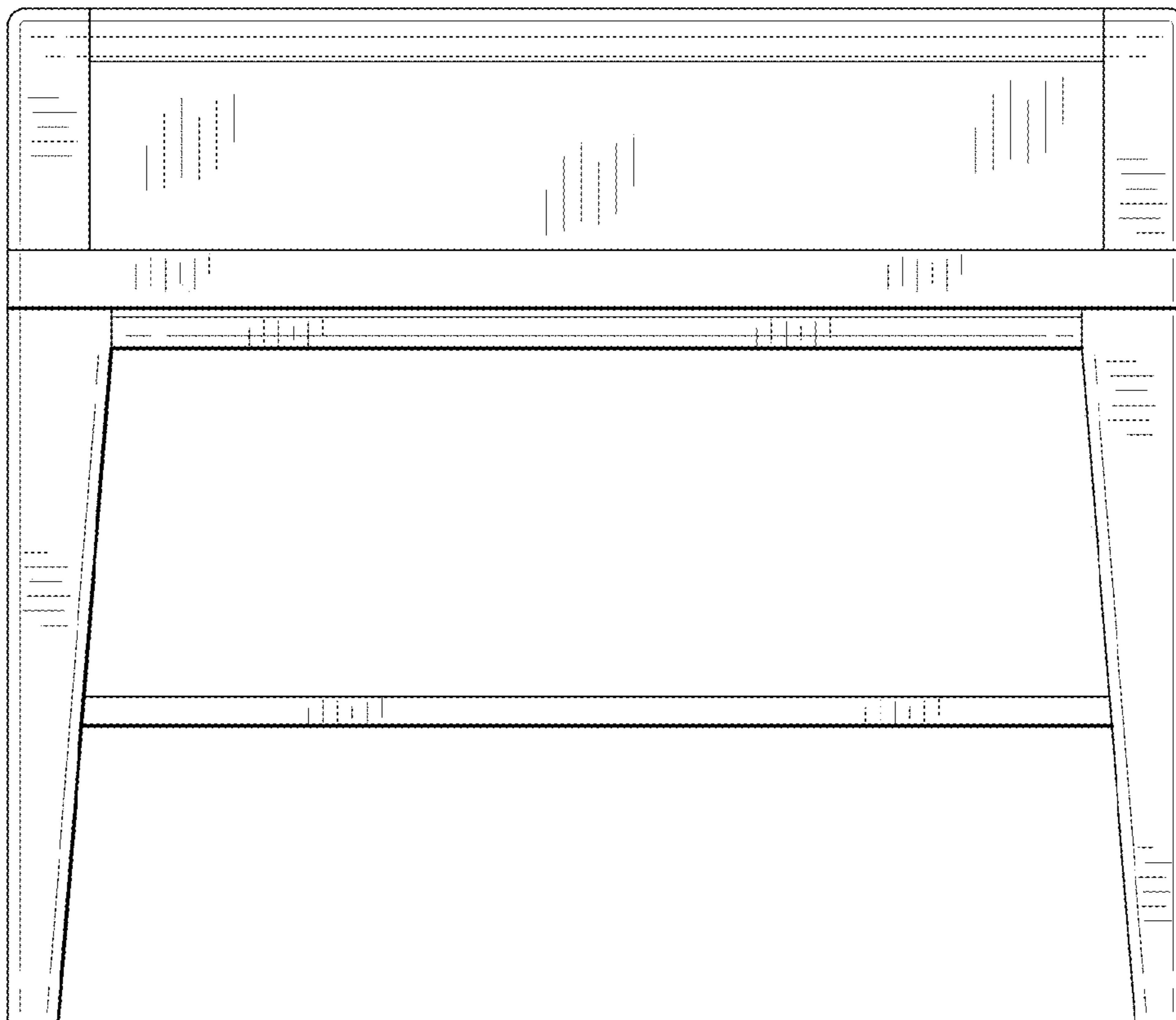


FIG. 4

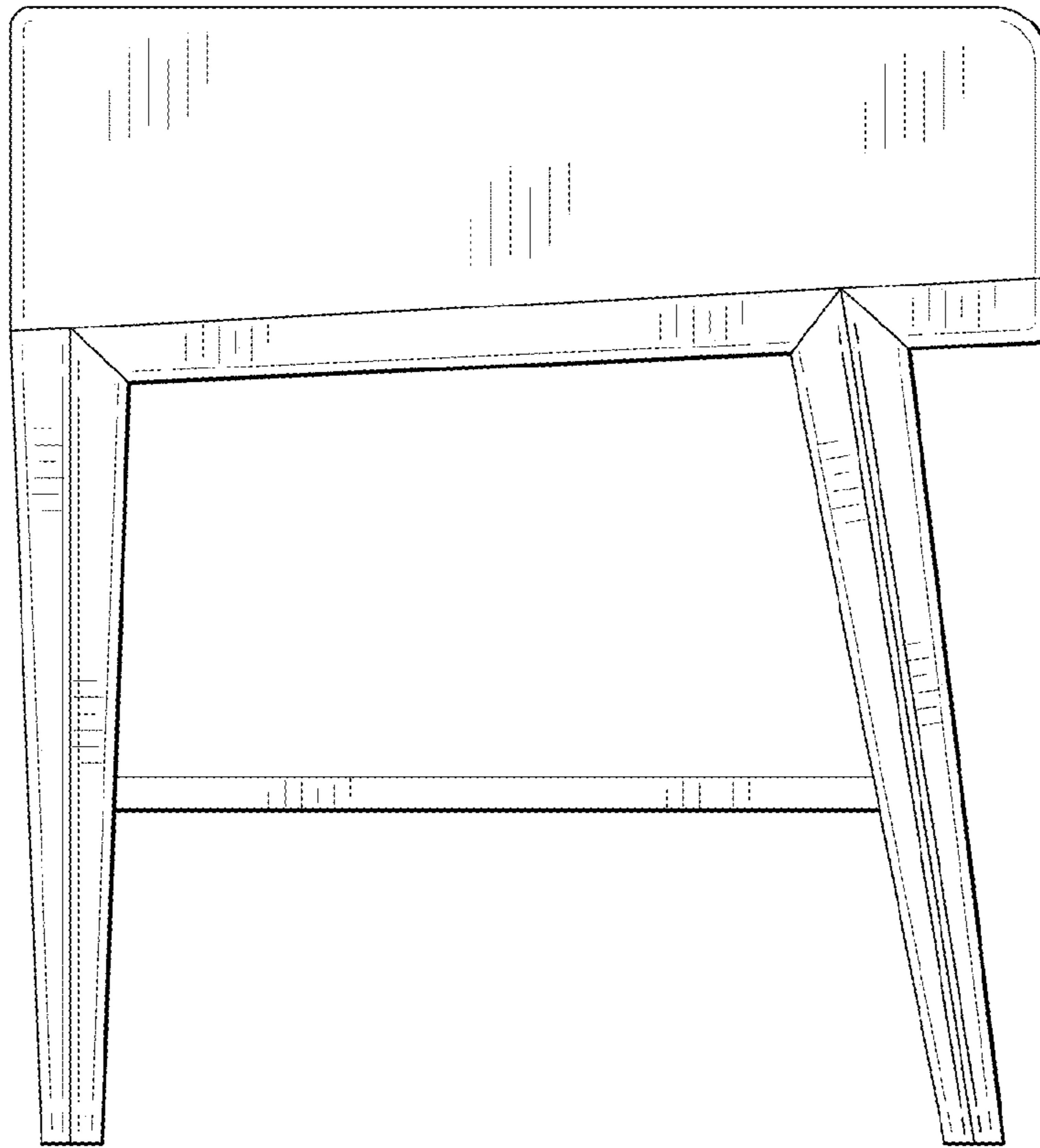


FIG. 5

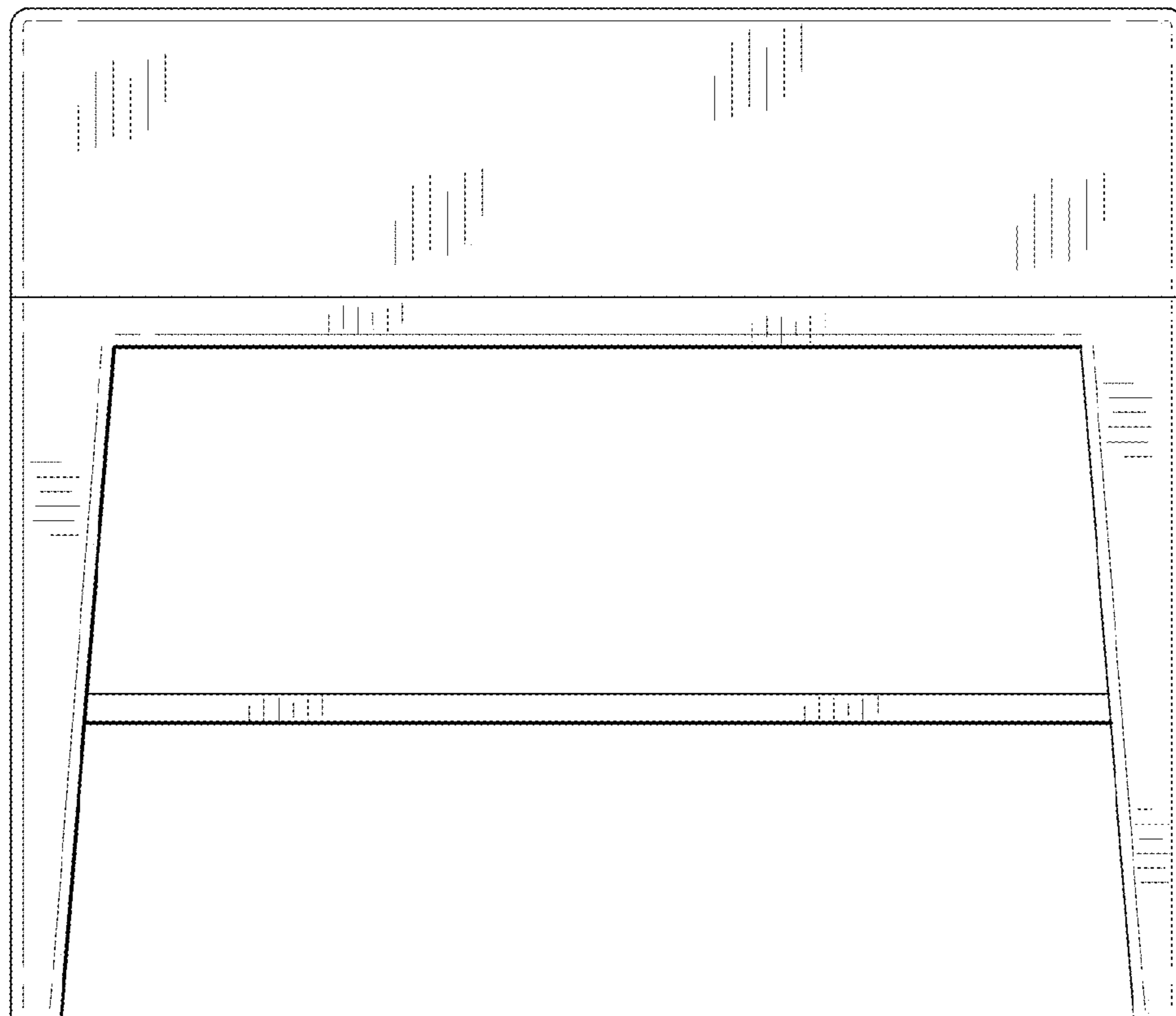




FIG. 6

