



US00D969525S

(12) **United States Design Patent** (10) **Patent No.:** **US D969,525 S**  
**Liu** (45) **Date of Patent:** **\*\* Nov. 15, 2022**

(54) **SHELF**  
(71) Applicant: **Tian Liu**, Zhongshan (CN)  
(72) Inventor: **Tian Liu**, Zhongshan (CN)  
(\*\*) Term: **15 Years**  
(21) Appl. No.: **29/787,048**  
(22) Filed: **Jun. 3, 2021**  
(51) **LOC (13) Cl.** ..... **06-04**  
(52) **U.S. Cl.**  
USPC ..... **D6/675.2**  
(58) **Field of Classification Search**  
USPC ..... D6/672, 675, 675.1, 675.2, 675.3, 675.4,  
D6/675.5, 681, 681.1, 681.2, 705.6  
CPC ..... A47F 5/00; A47F 5/0018; A47F 5/0031;  
A47F 5/0037; A47F 5/0043; A47F  
5/0056; A47F 5/01; A47B 47/02; A47B  
47/021; A47B 55/02  
See application file for complete search history.

D429,095 S \* 8/2000 Grosfillex ..... D6/675.1  
6,431,090 B1 \* 8/2002 Davis ..... A47B 57/04  
108/107  
D471,033 S \* 3/2003 Yamaguchi ..... D6/675.2  
D471,381 S \* 3/2003 Yamaguchi ..... D6/675.2  
D476,812 S \* 7/2003 Yamaguchi ..... D6/705.6  
D489,205 S \* 5/2004 Droppers ..... D6/705.6  
D496,809 S \* 10/2004 Dardashti ..... D6/675.1  
D587,502 S \* 3/2009 Welsch ..... D6/705.6  
D591,533 S \* 5/2009 Karsson ..... D6/675.3  
D592,897 S \* 5/2009 Welsch ..... D6/705.6  
D597,342 S \* 8/2009 Dickson ..... D6/675.2  
D597,343 S 8/2009 Thakur  
D602,712 S \* 10/2009 Ho ..... D6/675.2  
D602,720 S \* 10/2009 Mikich ..... D6/705.6  
D626,356 S \* 11/2010 Ho ..... D6/675.2  
D626,762 S \* 11/2010 Primiano ..... D6/675.4

(Continued)

**OTHER PUBLICATIONS**

Mobile Slanted Shelf Carts, southwestolutions.com, <https://www.southwestolutions.com/ssg/mobile-slanted-shelf-carts-heavy-duty-angled-wire-shelves-adjust-rolling-storage/> (Year: 2021).\*

(Continued)

(56) **References Cited**

**U.S. PATENT DOCUMENTS**

D215,773 S \* 10/1969 Maslow et al. .... D6/675.5  
3,523,508 A \* 8/1970 Louis ..... A47B 57/265  
D6/675.2  
D291,165 S \* 8/1987 Ray ..... D6/675.2  
D295,472 S \* 5/1988 Remmers ..... D6/675.2  
D322,726 S \* 12/1991 Rademacher ..... D6/675.2  
D326,579 S \* 6/1992 Leeds ..... D6/705.6  
5,127,342 A \* 7/1992 Taylor ..... A47B 57/265  
211/187  
5,390,803 A \* 2/1995 McAllister ..... A47B 57/265  
211/187  
5,415,302 A \* 5/1995 Carlson ..... A47B 57/265  
211/187  
D367,784 S \* 3/1996 Goetz ..... D6/675.1  
D424,836 S \* 5/2000 Kopala, Jr. .... D6/675.2  
D429,092 S \* 8/2000 Walter ..... D6/675.2

*Primary Examiner* — Steven J Czyz

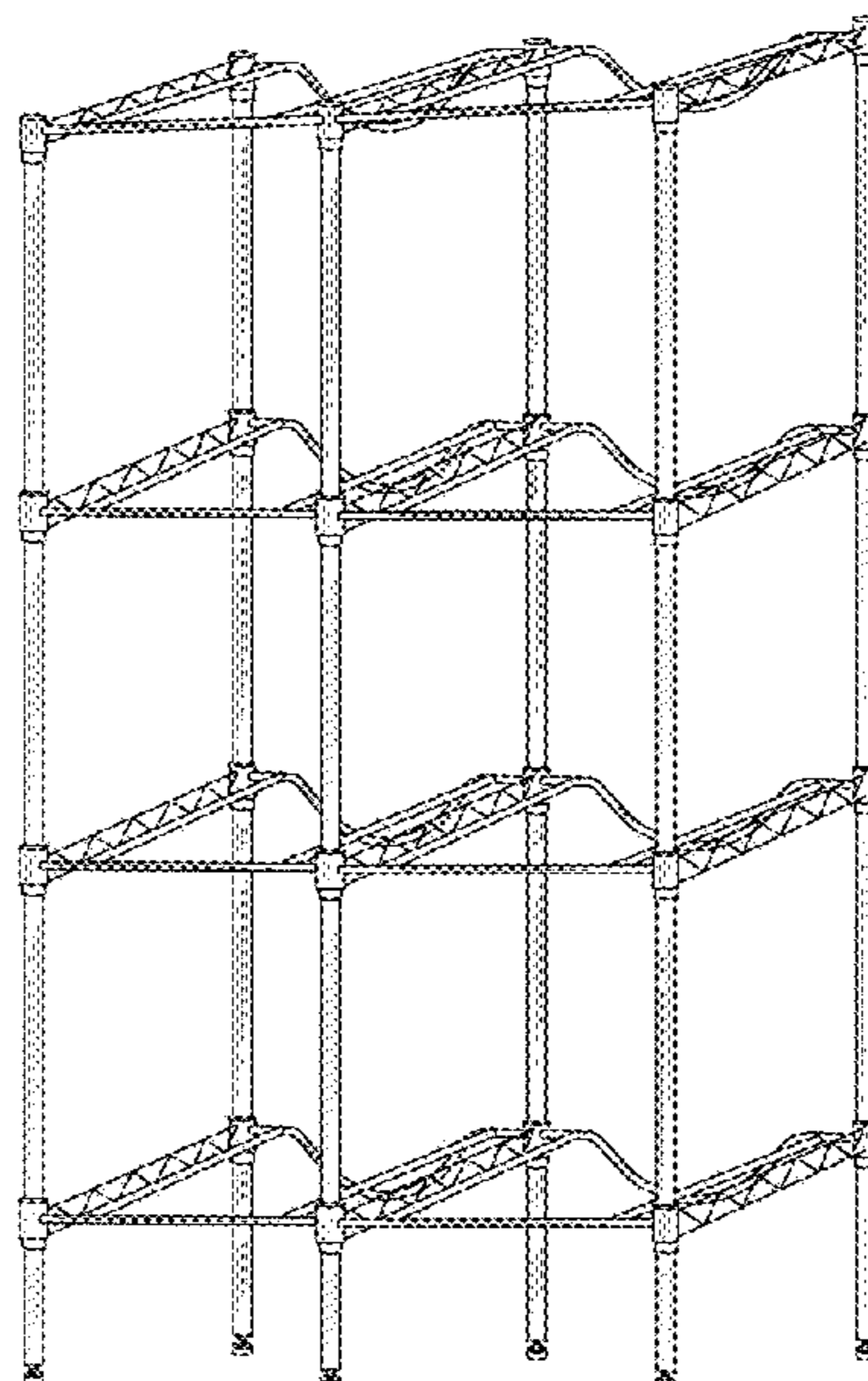
(57) **CLAIM**

The ornamental design for a shelf, as shown and described.

**DESCRIPTION**

FIG. 1 is a perspective view of a shelf showing my new design;  
FIG. 2 is a front elevation view thereof;  
FIG. 3 is a rear elevation view thereof;  
FIG. 4 is a left side elevation view thereof;  
FIG. 5 is a right side elevation view thereof;  
FIG. 6 is a top plan view thereof; and,  
FIG. 7 is a bottom plan view thereof.

**1 Claim, 7 Drawing Sheets**



(56)

References Cited

U.S. PATENT DOCUMENTS

D628,353 S 11/2010 Garton et al.  
 D628,355 S 11/2010 Spann et al.  
 D630,813 S \* 1/2011 Molayem ..... D32/55  
 D637,835 S \* 5/2011 Molayem ..... D6/675.3  
 D646,044 S 9/2011 Garton et al.  
 8,042,477 B2 \* 10/2011 Lee ..... A47B 57/54  
 8,113,678 B2 \* 2/2012 Babcock ..... A47F 11/10  
 362/249.02  
 D683,983 S \* 6/2013 Troyner ..... D6/675.2  
 8,584,873 B2 \* 11/2013 Horn ..... A47B 47/0083  
 211/187  
 D699,986 S \* 2/2014 Tsai ..... D6/675.4  
 D703,467 S \* 4/2014 Ho ..... D6/675.1  
 D703,468 S \* 4/2014 Ho ..... D6/675.1  
 D716,082 S 10/2014 Dixon  
 D721,904 S \* 2/2015 Tsai ..... D6/675.5  
 D723,843 S \* 3/2015 Lai ..... D6/675.1  
 D724,357 S \* 3/2015 Lim ..... A47B 47/0058  
 D6/675.1  
 D730,664 S \* 6/2015 Klein ..... D6/675.1  
 D731,212 S \* 6/2015 Hsu ..... D6/675.2  
 D734,966 S \* 7/2015 Greenspon ..... D6/675.2  
 D762,402 S \* 8/2016 Hsu ..... D6/675.5  
 D777,479 S \* 1/2017 Anderson ..... D6/675.1  
 D778,641 S \* 2/2017 Anderson ..... D6/675.1  
 D784,052 S 4/2017 Rodriguez  
 D787,242 S \* 5/2017 Hsu ..... D6/675.2  
 D798,635 S \* 10/2017 Aguilera ..... D6/675.2  
 D804,225 S \* 12/2017 Bian ..... A47B 96/021  
 D6/675.5  
 D808,690 S \* 1/2018 Hsu ..... A47B 47/021  
 D6/675.2  
 D833,782 S 11/2018 Amacher, Jr.  
 D840,728 S \* 2/2019 Hsu ..... A47B 57/08  
 D6/675.2  
 D856,043 S \* 8/2019 Davis ..... D6/675.3  
 10,377,569 B1 \* 8/2019 Rollins ..... A47F 1/12  
 D878,116 S \* 3/2020 Davis ..... D6/675.1  
 D890,554 S \* 7/2020 Nie ..... D6/675.4  
 10,806,257 B1 \* 10/2020 Liu ..... A47B 47/024  
 D911,084 S \* 2/2021 Sabounjian ..... A47B 96/021  
 D6/675.2  
 D920,013 S \* 5/2021 Chu ..... D6/675.1  
 D920,722 S \* 6/2021 Li ..... D6/675.1

D923,369 S \* 6/2021 Su ..... A47B 96/145  
 D6/675.2  
 D927,945 S \* 8/2021 Cheng ..... D7/704  
 D929,161 S \* 8/2021 Stephenson ..... D6/675.5  
 D935,242 S \* 11/2021 Huang ..... D6/675.1  
 D939,253 S \* 12/2021 Huang ..... A47B 57/54  
 D6/675.2  
 D939,254 S \* 12/2021 Huang ..... A47B 87/001  
 D6/675.2  
 D949,607 S \* 4/2022 Liu ..... D6/675.1  
 D953,783 S \* 6/2022 Kulagin ..... D6/675.1  
 2009/0145869 A1 \* 6/2009 Battaglia ..... A47F 5/0056  
 108/157.13  
 2009/0152225 A1 \* 6/2009 Lee ..... A47B 47/024  
 108/106  
 2010/0108624 A1 \* 5/2010 Sparkowski ..... A47F 1/126  
 211/59.3  
 2011/0220602 A1 \* 9/2011 Chen ..... A47B 87/001  
 248/250  
 2012/0305508 A1 \* 12/2012 Brozak ..... A47F 7/0021  
 211/85.5  
 2014/0116973 A1 \* 5/2014 Buckley ..... A47B 96/021  
 29/525.01  
 2015/0359335 A1 \* 12/2015 Offerman ..... A47B 96/021  
 211/153  
 2016/0113421 A1 \* 4/2016 Muzyka ..... A47B 57/08  
 211/187  
 2017/0208947 A1 \* 7/2017 Tsai ..... A47B 57/50  
 2017/0208950 A1 \* 7/2017 Tsai ..... A47B 96/145  
 2017/0211604 A1 \* 7/2017 Tsai ..... A47B 96/061  
 2019/0290000 A1 \* 9/2019 Davis ..... A47B 96/021  
 2020/0138187 A1 \* 5/2020 Lim ..... A47B 47/021  
 2020/0163455 A1 \* 5/2020 Liss ..... A47B 47/021  
 2020/0214443 A1 \* 7/2020 Cheng ..... A47B 47/021  
 2022/0071389 A1 \* 3/2022 Globerman ..... A47B 47/0083  
 2022/0110450 A1 \* 4/2022 Parab ..... A47B 47/021

OTHER PUBLICATIONS

QwikSLOT™ Wire Shelving, Mobile Unit, shop.gohcl.com, <https://shop.gohcl.com/default.aspx?page=item+detail&itemcode=20106> (Year: 2022).\*

Quantum Storage Systems MWRS-5-92060—Quantum Wire Mobile Slanted Shelving Unit with Bins, guardiancatalog.com, <http://www.guardiancatalog.com/Quantum-Storage-Systems-MWRS-5-92060-p/quantum-mwrs-5-92060.htm?CartID=1> (Year: 2022).\*

\* cited by examiner



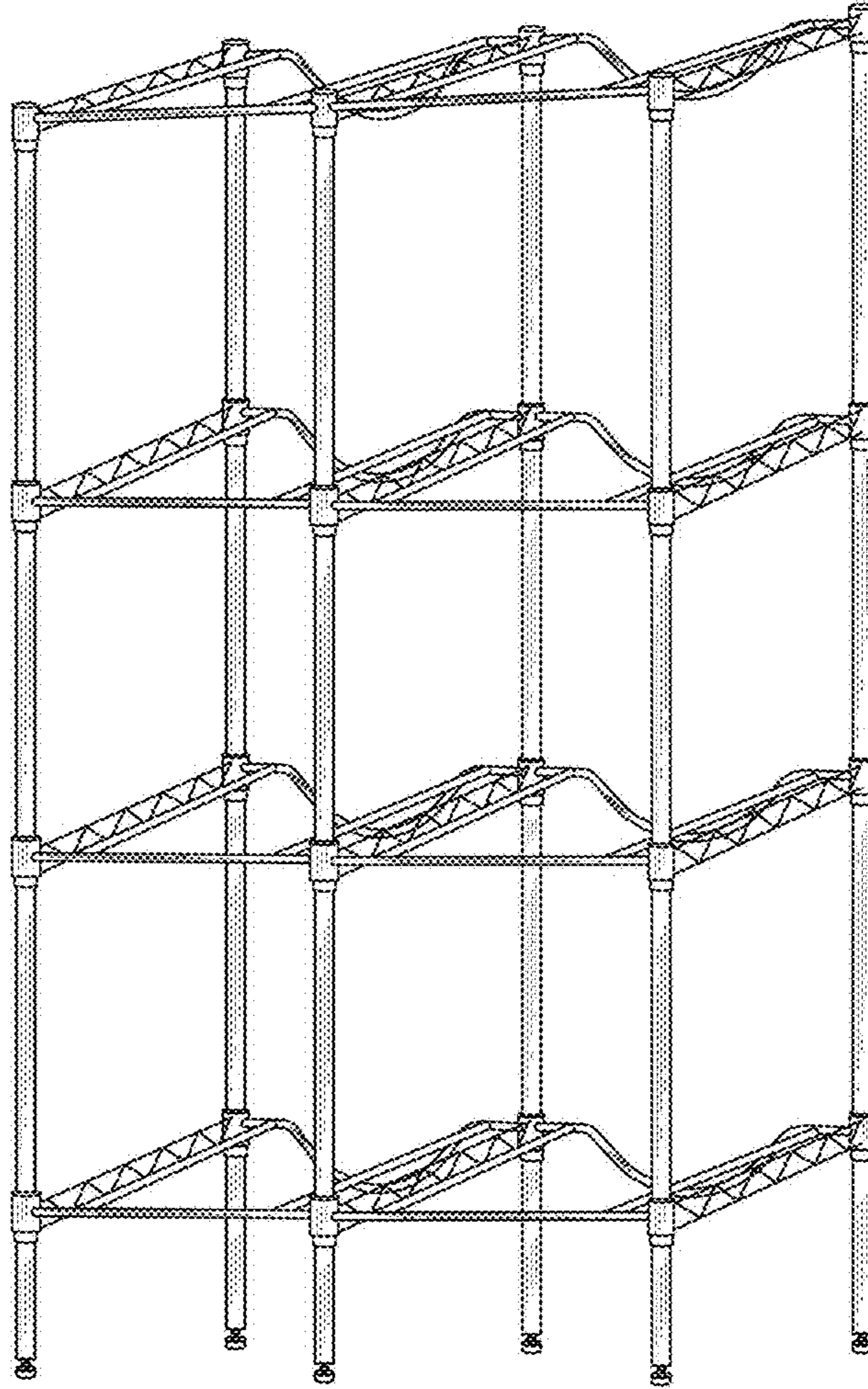


FIG. 1

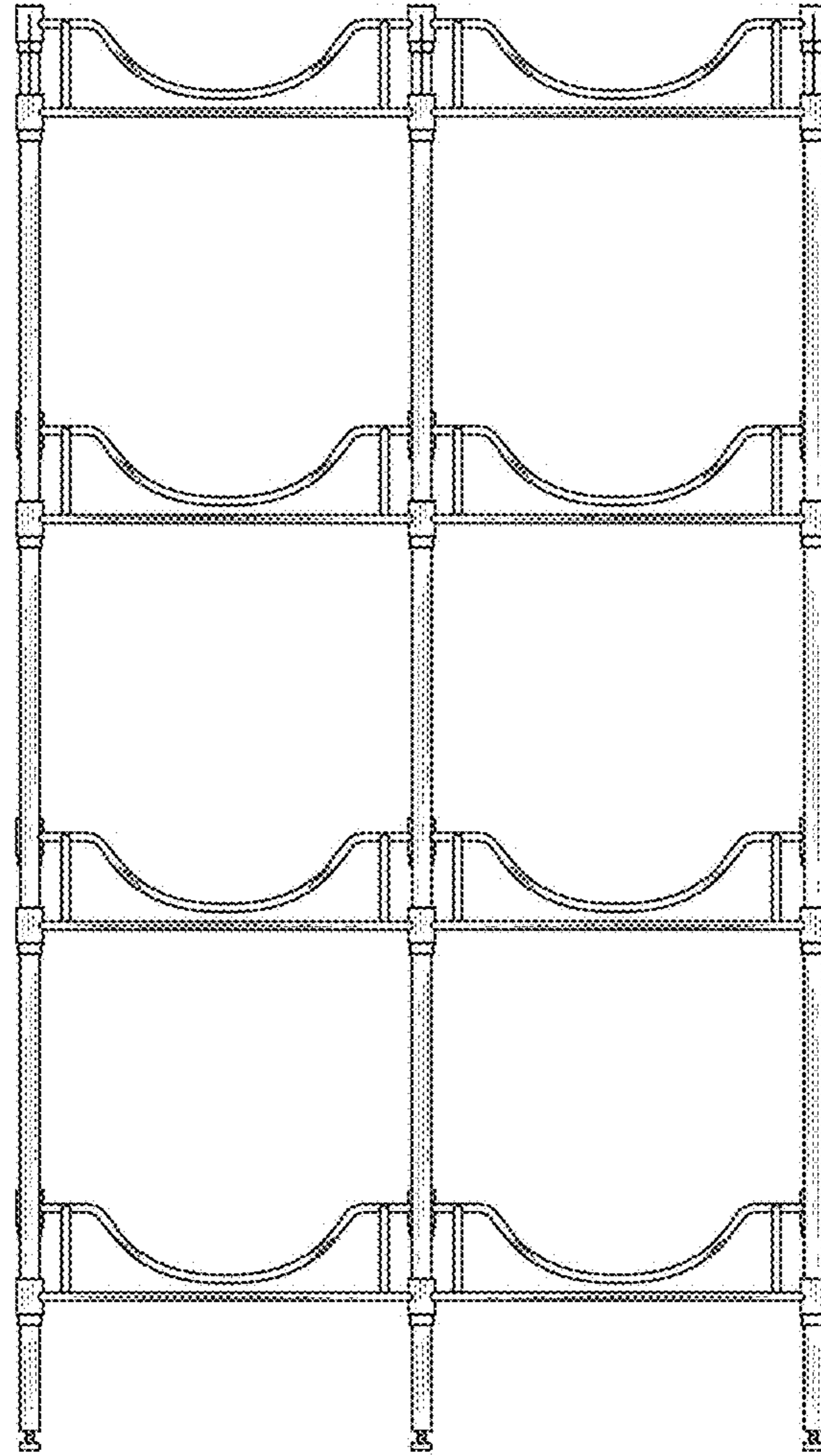


FIG. 2

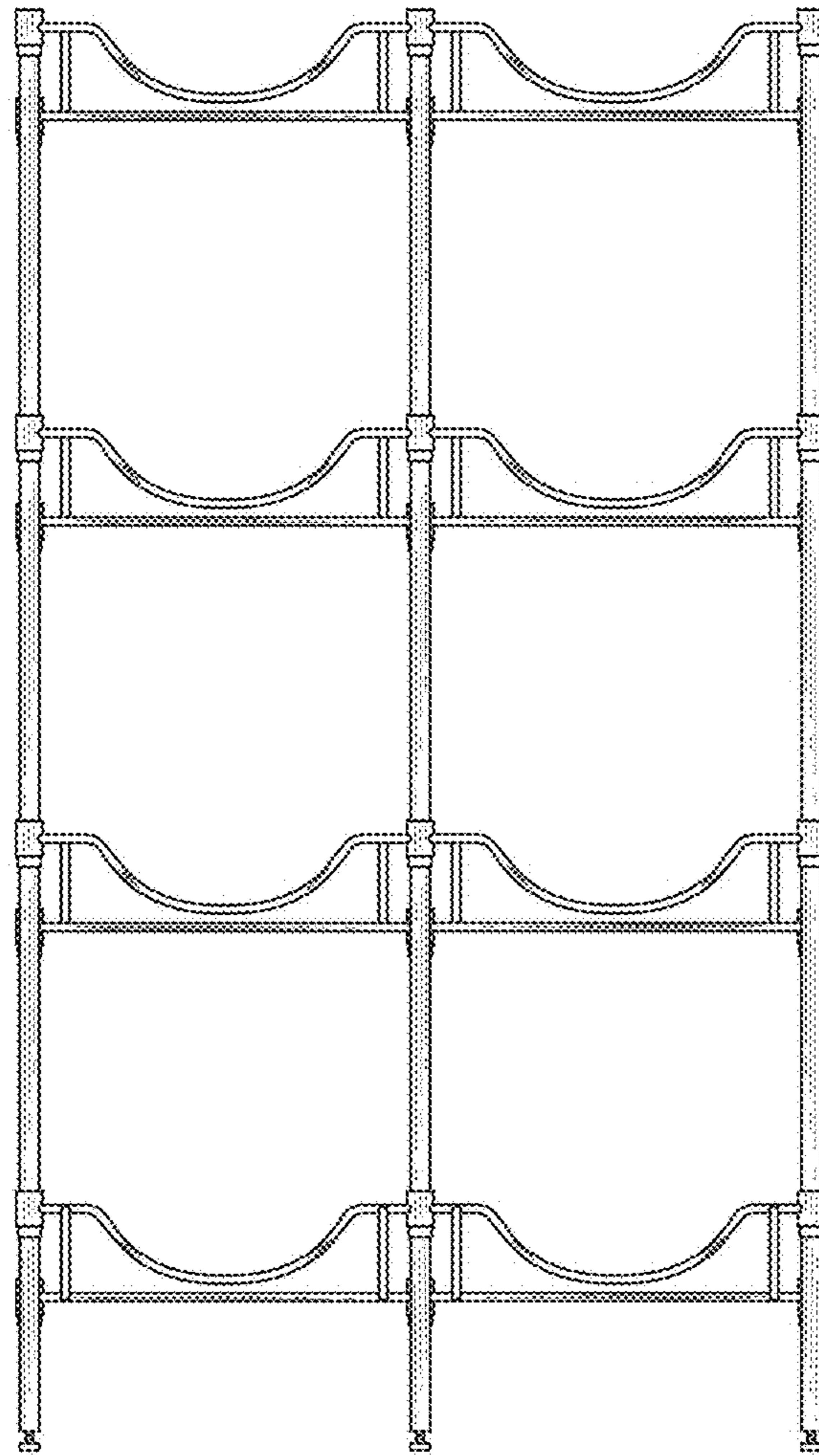


FIG. 3

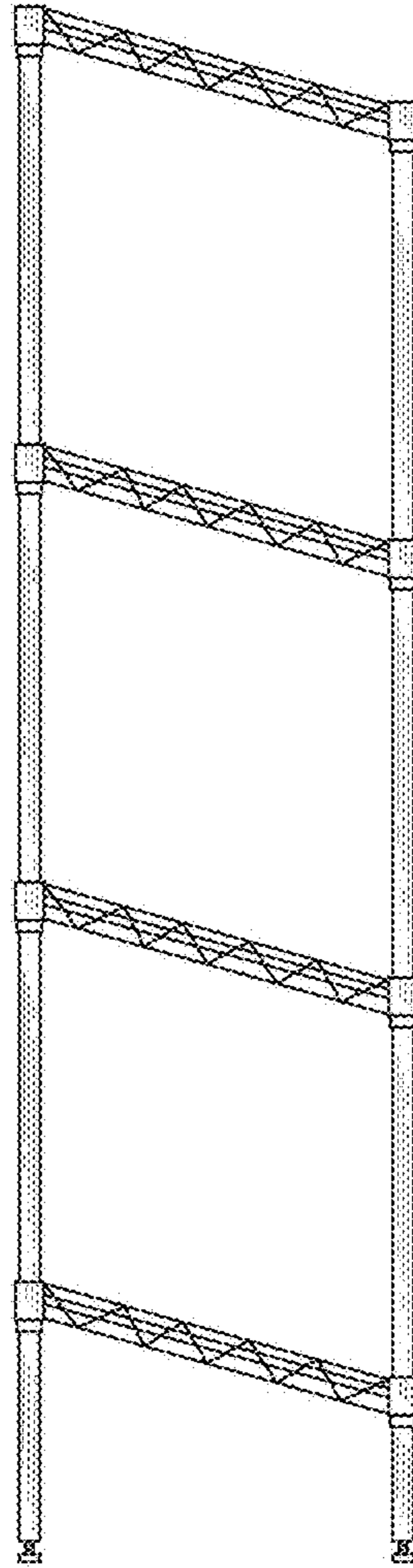


FIG. 4

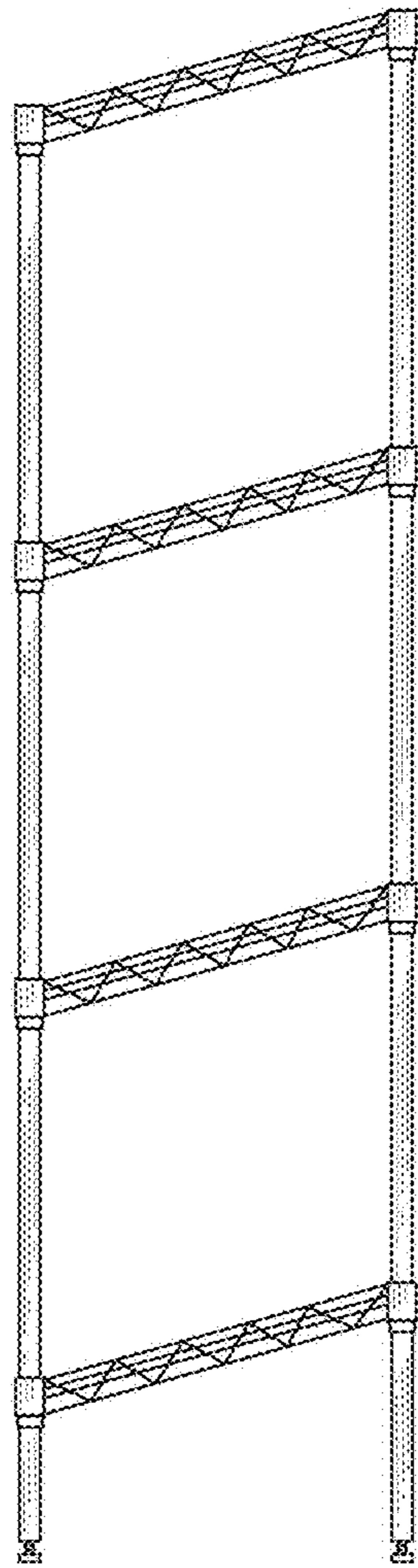


FIG. 5

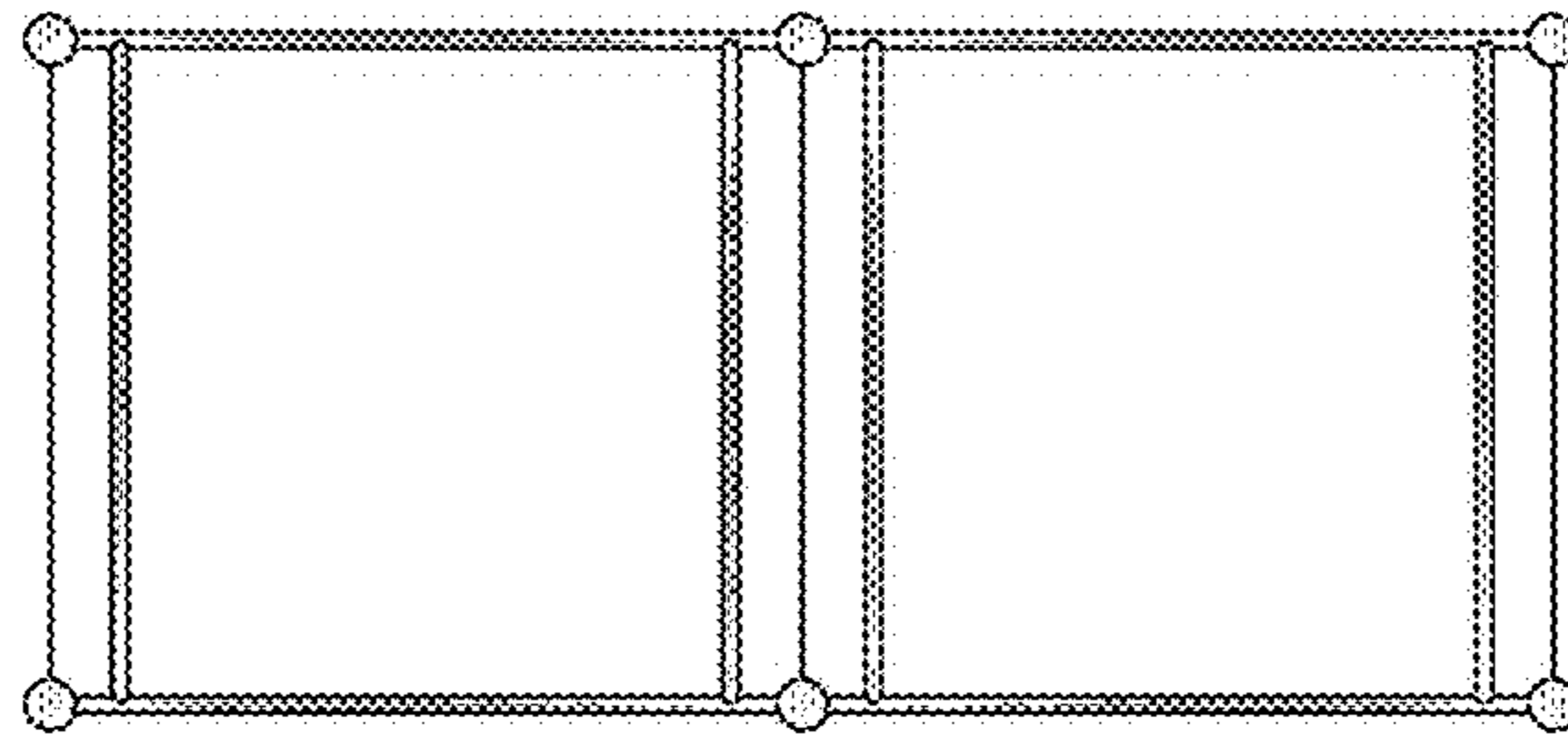


FIG. 6



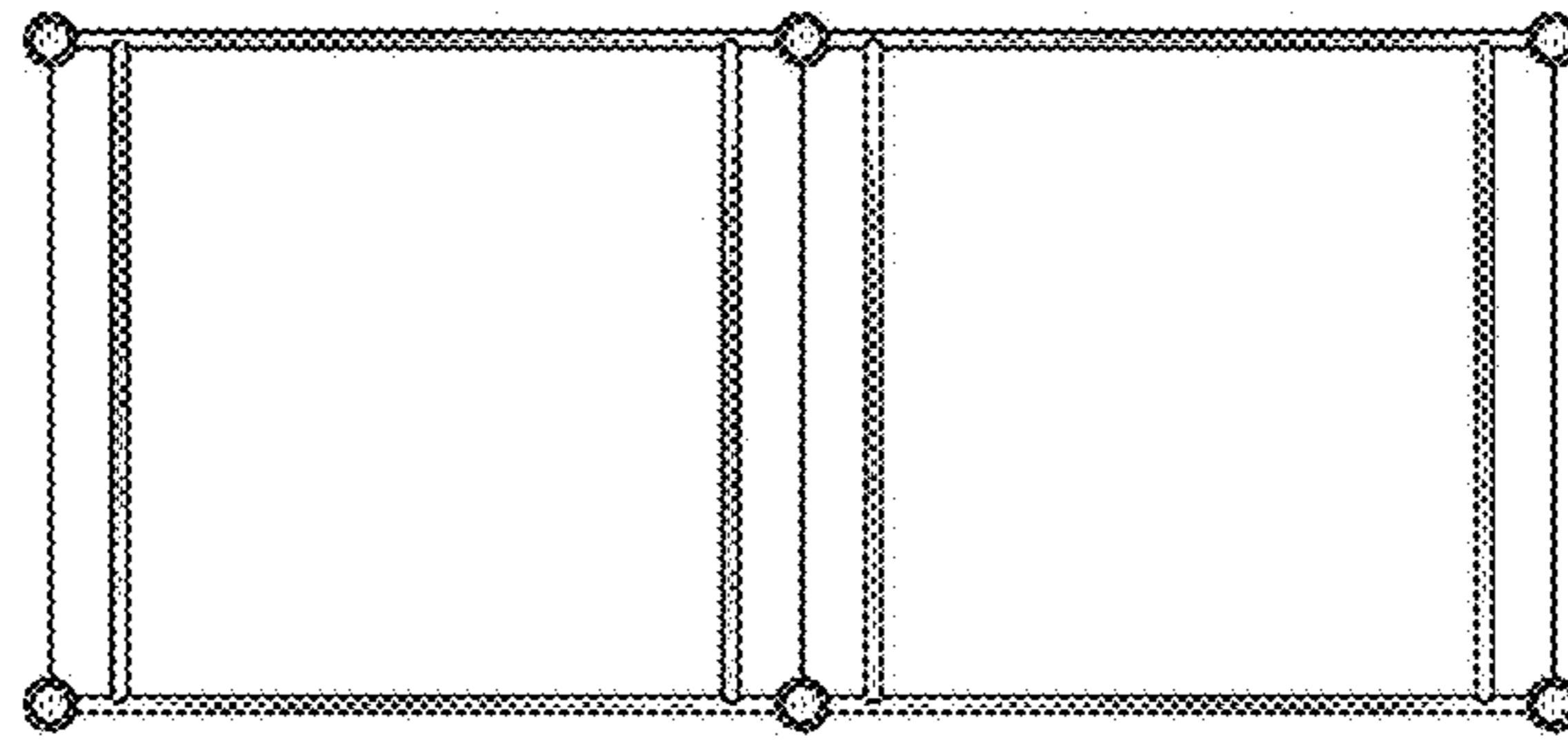


FIG. 7