



US00D969524S

(12) **United States Design Patent**  
**Dawson, Jr.**

(10) **Patent No.:** **US D969,524 S**

(45) **Date of Patent:** **\*\* Nov. 15, 2022**

(54) **DISPLAY TABLE**

(71) Applicant: **Albert Collin Dawson, Jr.**, Johnson  
City, TN (US)

(72) Inventor: **Albert Collin Dawson, Jr.**, Johnson  
City, TN (US)

(\*\*) Term: **15 Years**

(21) Appl. No.: **29/841,742**

(22) Filed: **Jun. 8, 2022**

**Related U.S. Application Data**

(62) Division of application No. 29/736,406, filed on May  
29, 2020.

(51) **LOC (13) Cl.** ..... **06-04**

(52) **U.S. Cl.**  
USPC ..... **D6/671.1**

(58) **Field of Classification Search**  
USPC ..... D6/657, 661, 671, 671.1, 668.2, 691.1,  
D6/691.3; D15/79, 86; D10/97; D20/4;  
D21/318; D3/296

CPC ..... A47B 67/00; A47B 67/02; A47B 67/04;  
A47B 2095/025; A47B 63/02; A47B  
43/00; A47J 39/006

See application file for complete search history.

(56) **References Cited**

**U.S. PATENT DOCUMENTS**

- 386,492 A \* 7/1888 Penberthy ..... A47B 63/02  
312/323
- D254,883 S \* 5/1980 Jorda-Segui ..... D19/92
- D372,609 S \* 8/1996 Lewis ..... D6/691.3
- 5,632,542 A \* 5/1997 Krivec ..... A47B 88/427  
403/294
- D432,813 S \* 10/2000 Hazen ..... D6/668.2
- D437,507 S \* 2/2001 Hazen ..... D6/657
- D440,791 S \* 4/2001 Cain ..... D6/691.1
- D451,700 S \* 12/2001 Vaaler ..... D6/671.1

- D534,738 S \* 1/2007 Domack ..... D6/671.1
- D559,583 S \* 1/2008 Zambelli ..... D6/661
- D623,442 S \* 9/2010 Zambelli ..... D6/671.1
- D642,624 S \* 8/2011 Lu ..... D21/782
- D643,216 S \* 8/2011 Greiner ..... D3/297
- D807,670 S \* 1/2018 Dawson, Jr. .... D6/671.1
- D882,991 S \* 5/2020 Dawson, Jr. .... D6/671.1

(Continued)

*Primary Examiner* — Paul D Bohannon

(74) *Attorney, Agent, or Firm* — Blanchard Horton PLLC

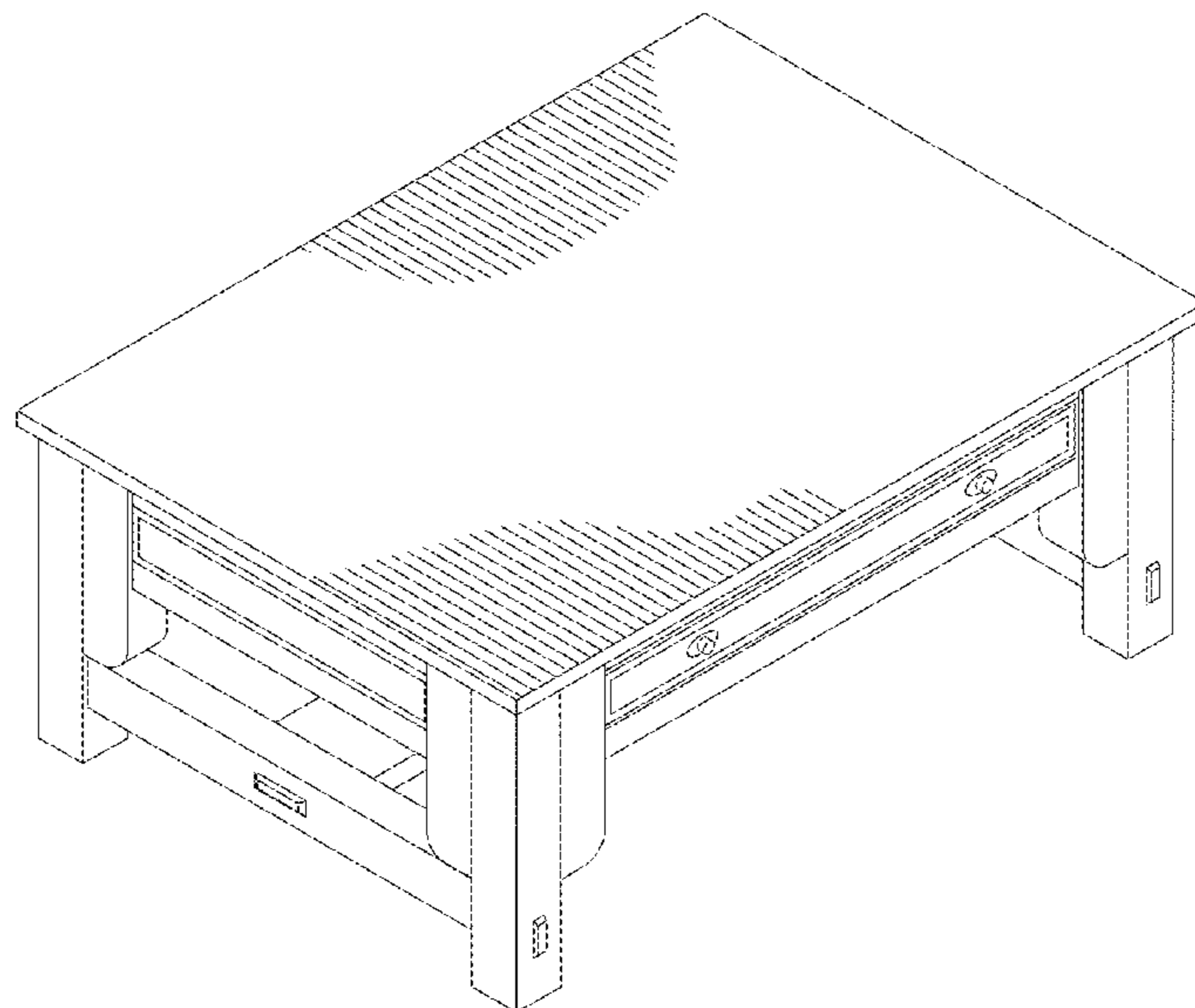
(57) **CLAIM**

I claim the ornamental design for a display table, as shown  
and described.

**DESCRIPTION**

FIG. 1 is a perspective view of a first embodiment of a design of the present invention for a display table;  
FIG. 2 is a front side elevation view of the display table of FIG. 1;  
FIG. 3 is a rear side elevation view of the display table of FIG. 1;  
FIG. 4 is a left side elevation view of the display table of FIG. 1, the right side elevation view being a mirror image thereof;  
FIG. 5 is a top view of the display table of FIG. 1;  
FIG. 6 is a perspective view of a second embodiment of a design of the present invention for a display table;  
FIG. 7 is a front side elevation view of the display table of FIG. 6;  
FIG. 8 is a rear side elevation view of the display table of FIG. 6;  
FIG. 9 is a left side elevation view of the display table of FIG. 6, the right side elevation view being a mirror image thereof; and,  
FIG. 10 is a top view of the display table of FIG. 6.  
The broken lines shown in the drawings are for the purpose of illustrating portions of the article and form no part of the daimed design.

**1 Claim, 6 Drawing Sheets**



(56)

**References Cited**

U.S. PATENT DOCUMENTS

2005/0029912	A1*	2/2005	Falke	.....	A47B 67/04
					312/330.1
2008/0258591	A1*	10/2008	Chiang	.....	A47B 43/00
					312/317.1
2011/0260592	A1*	10/2011	Lin	.....	F16B 12/22
					312/265.5

\* cited by examiner

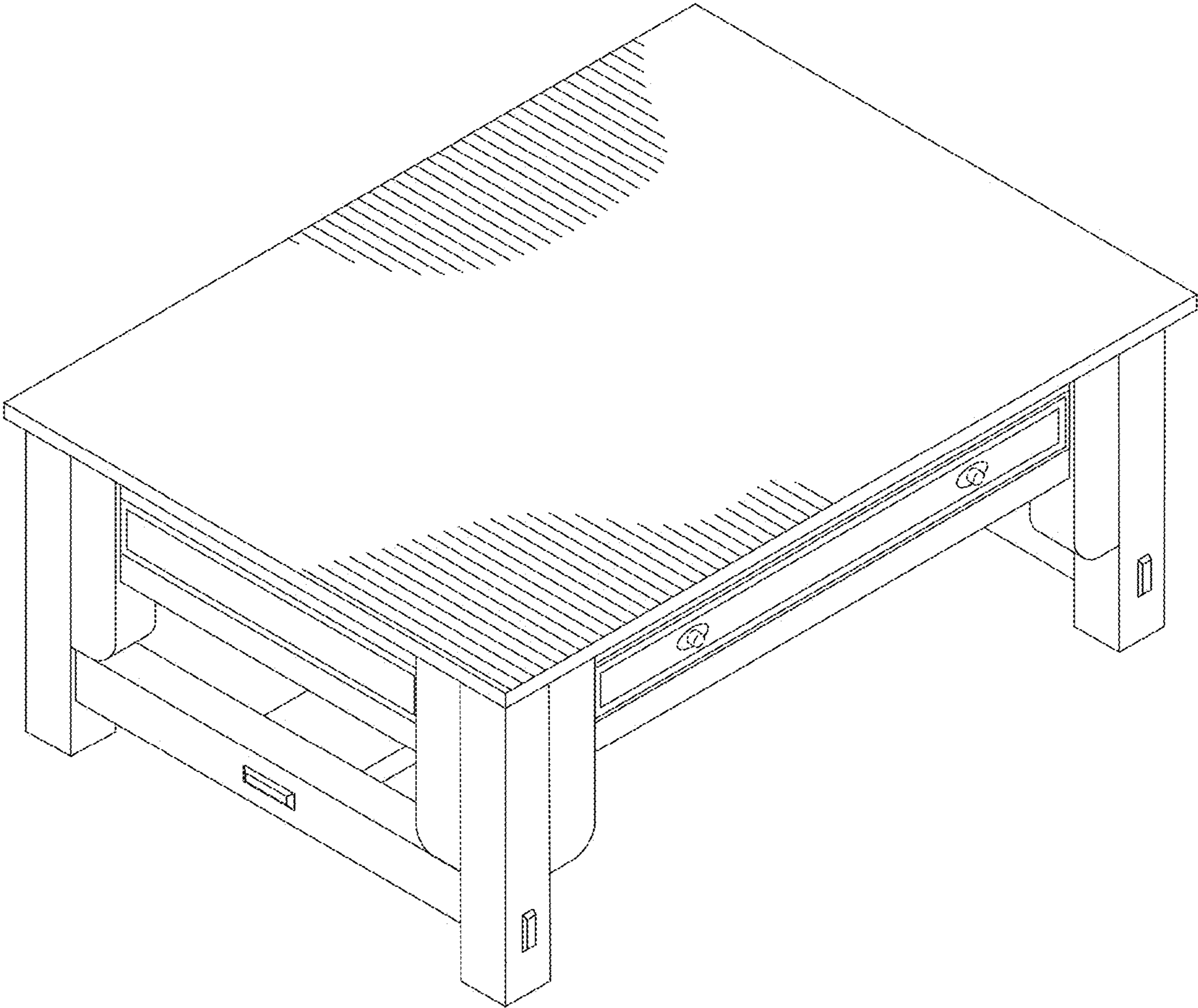


Fig. 1

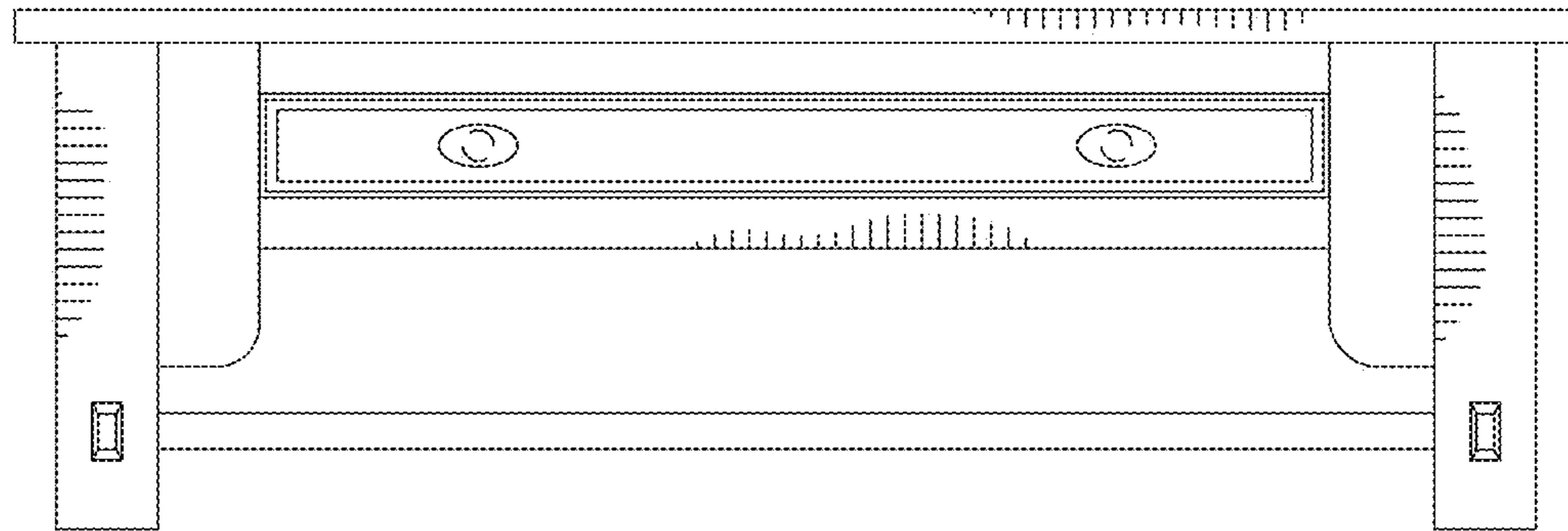


Fig. 2

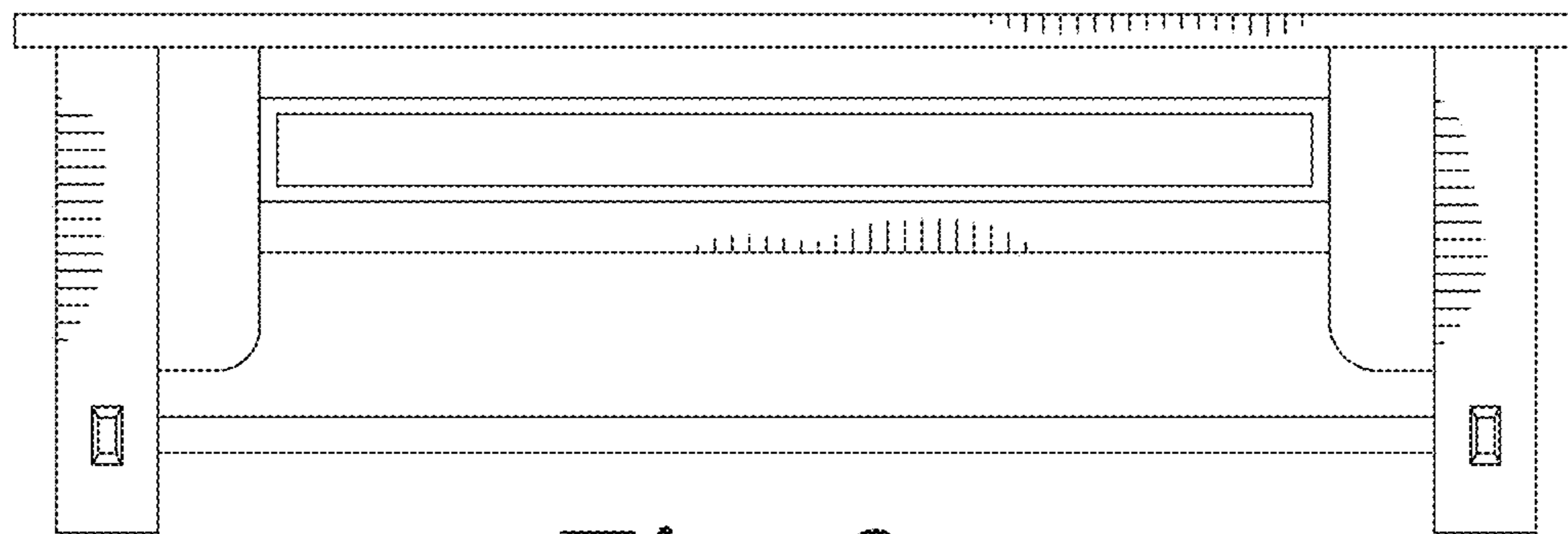


Fig. 3

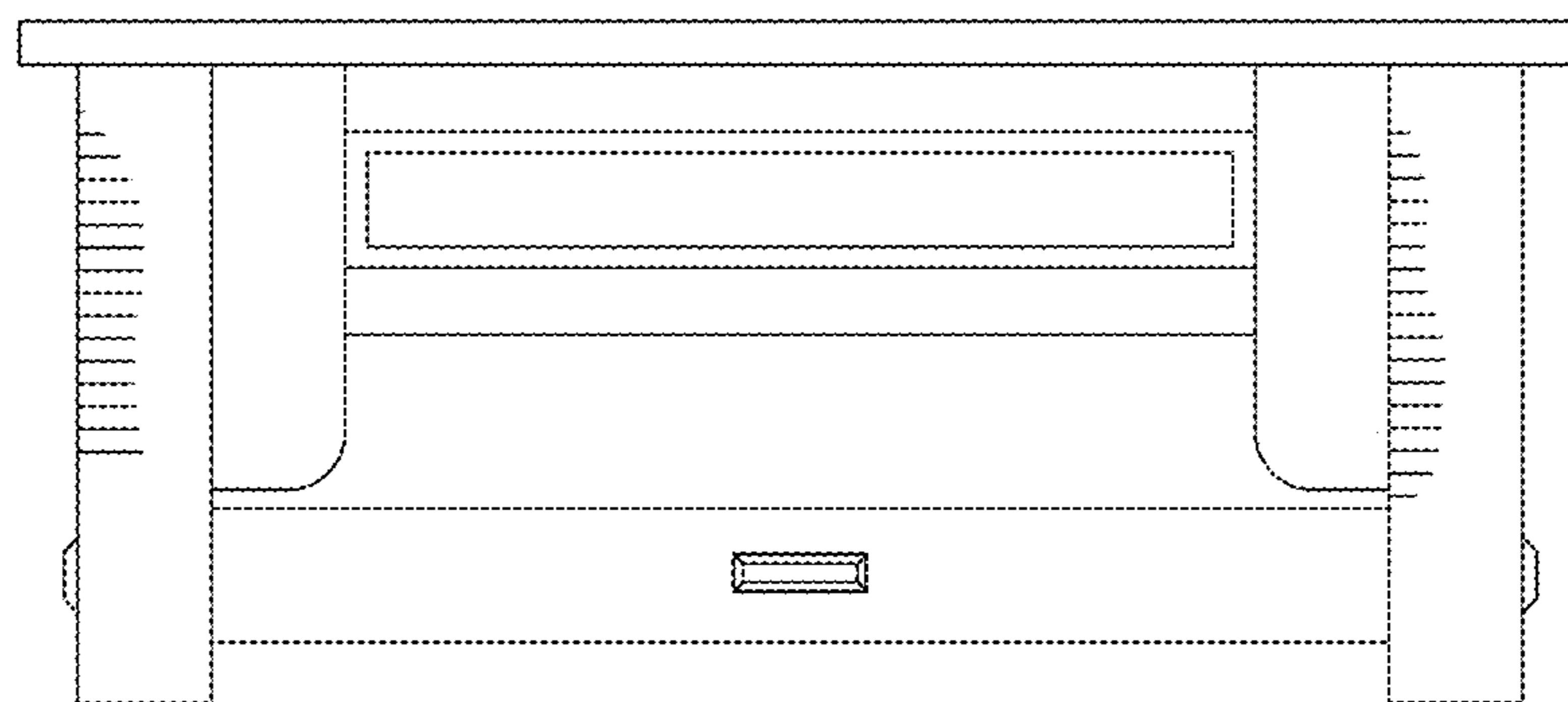


Fig. 4



Fig. 5

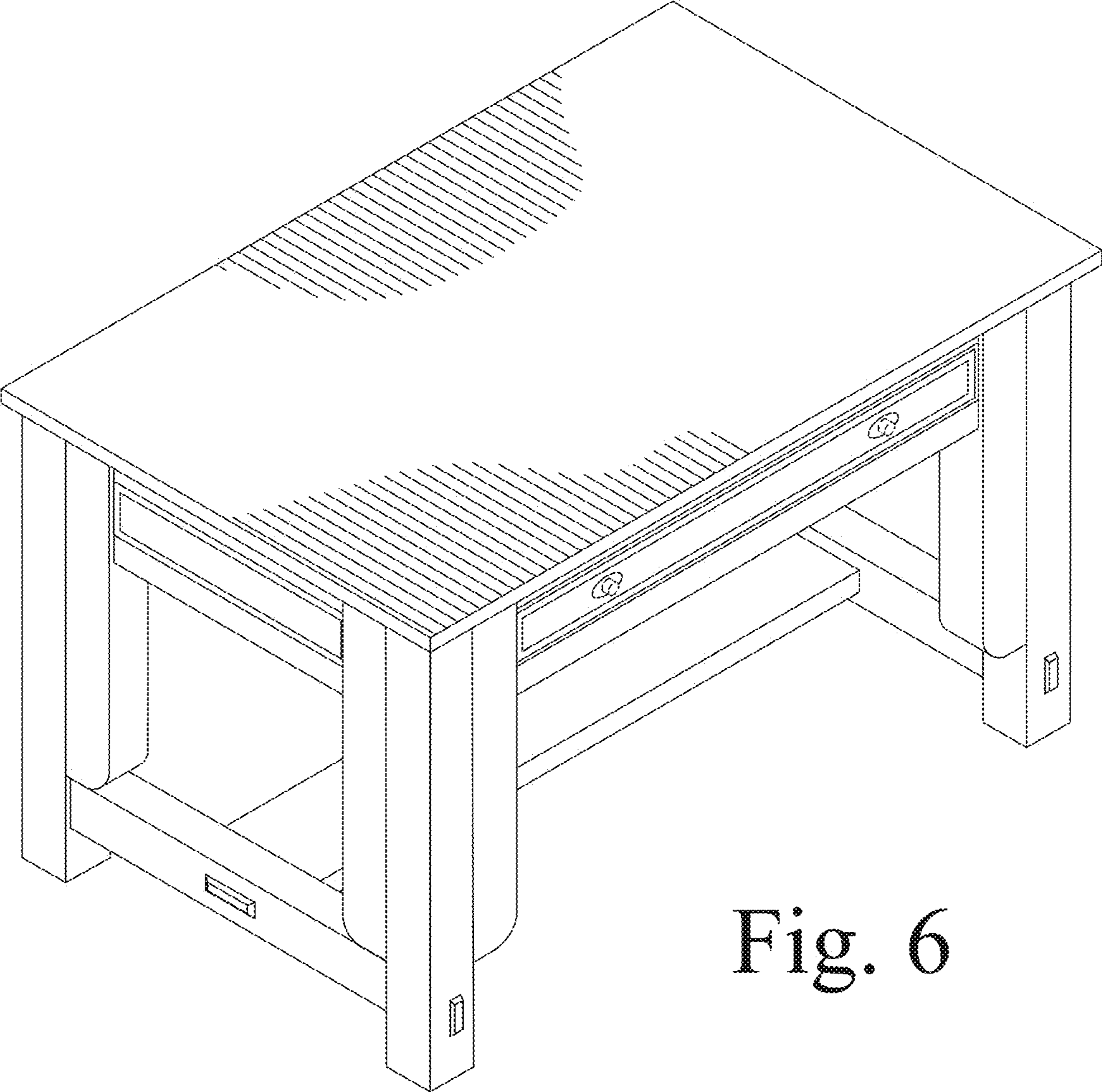


Fig. 6

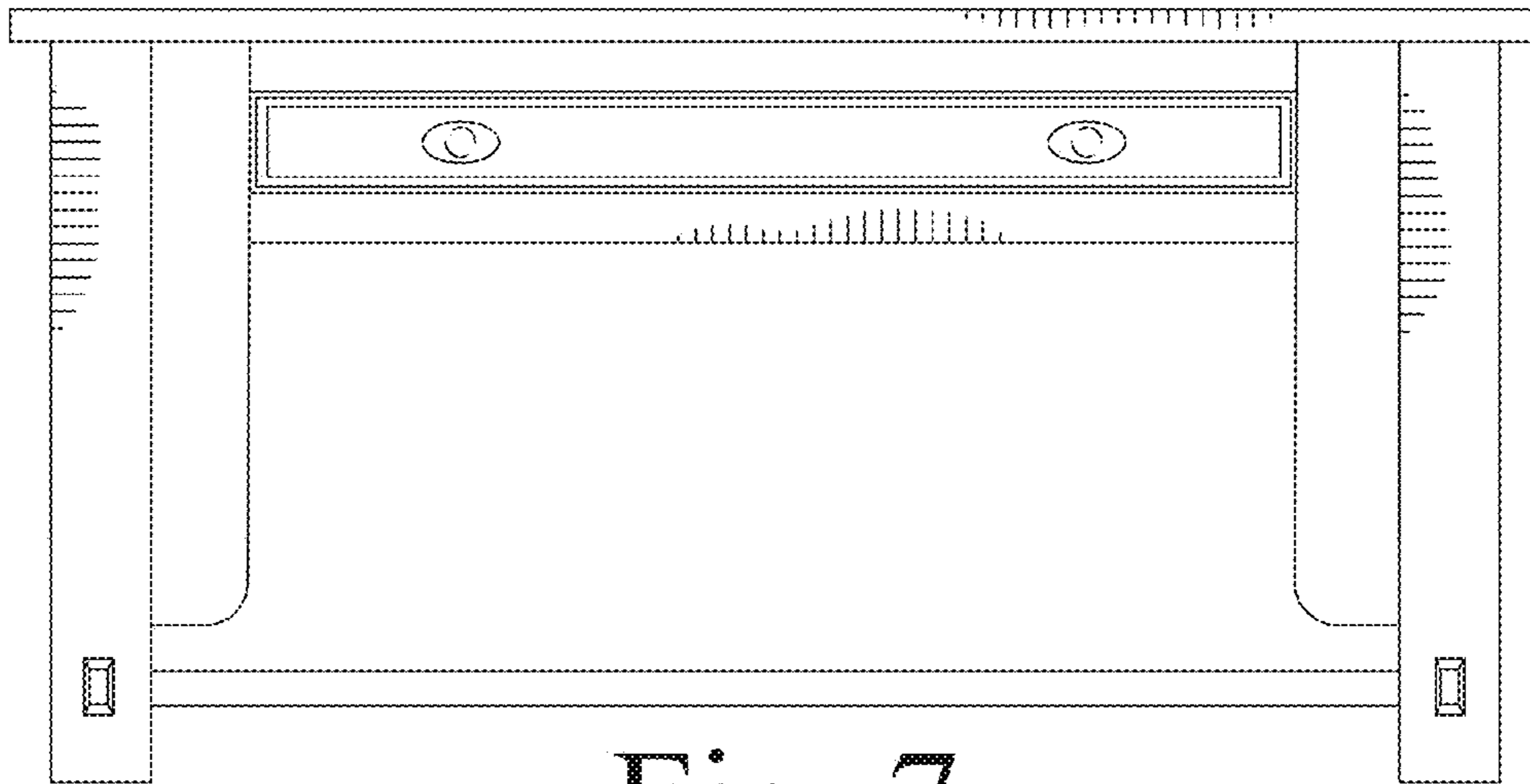


Fig. 7

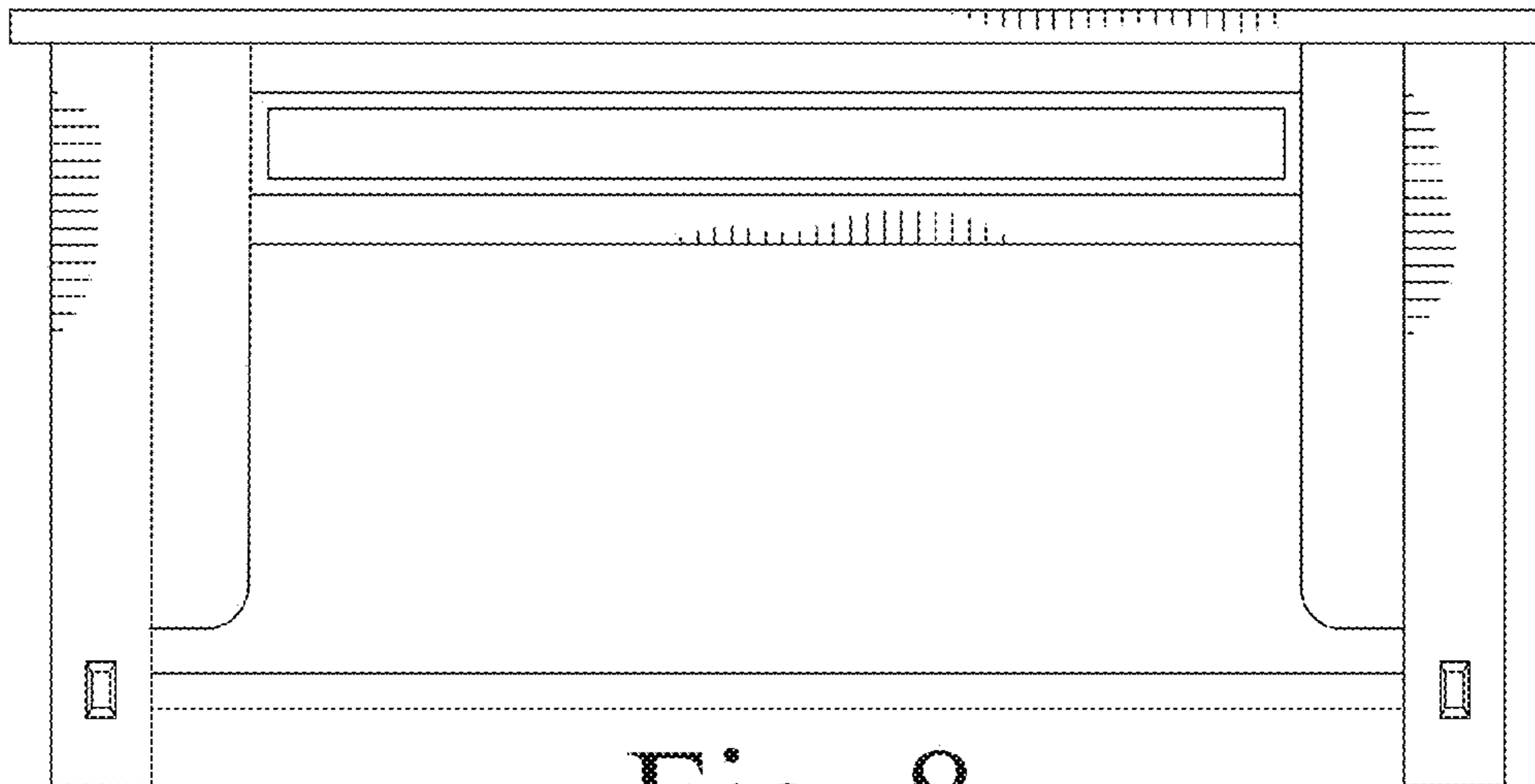


Fig. 8

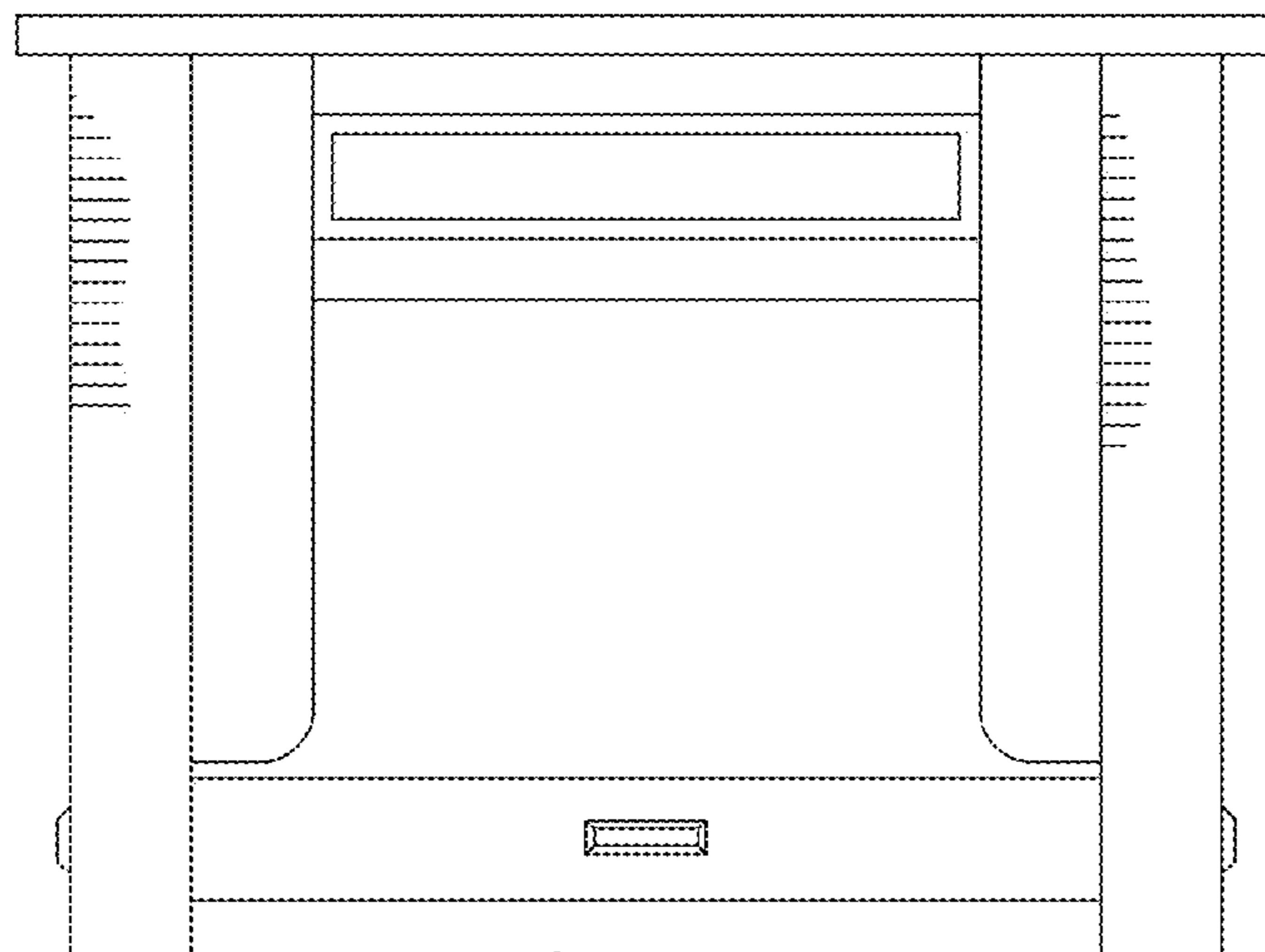


Fig. 9

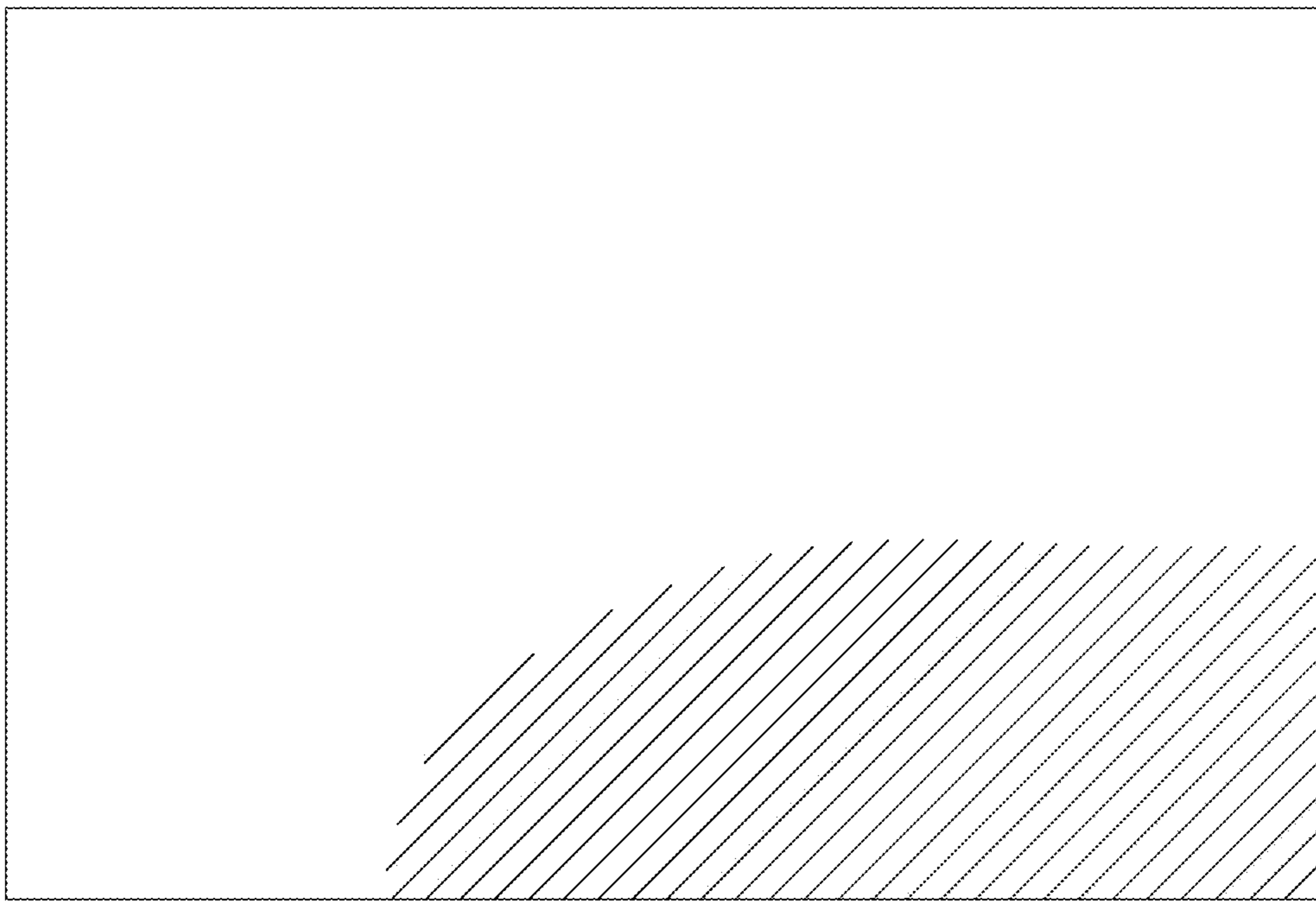


Fig. 10