



US00D969523S

(12) **United States Design Patent** (10) **Patent No.:** **US D969,523 S**
Hassen (45) **Date of Patent:** **** Nov. 15, 2022**

(54) **TABLE**
(71) Applicant: **Elijah A. Hassen**, Chicago Ridge, IL (US)
(72) Inventor: **Elijah A. Hassen**, Chicago Ridge, IL (US)

D235,472 S * 6/1975 Geisler D26/68
D237,564 S * 11/1975 Laylon D6/692.3
4,078,502 A 3/1978 Barna
4,190,303 A 2/1980 Ellis
D256,856 S * 9/1980 Kleinman D21/783
4,768,781 A 9/1988 McMillin
D299,390 S * 1/1989 Van Cleave D6/698
(Continued)

(**) Term: **15 Years**

FOREIGN PATENT DOCUMENTS

(21) Appl. No.: **29/763,820**

CN 302410259 4/2013
DE 8624399 U1 12/1986

(22) Filed: **Dec. 24, 2020**

(Continued)

(51) **LOC (13) Cl.** **06-04**

(52) **U.S. Cl.**

USPC **D6/657**; D6/692.3

(58) **Field of Classification Search**

USPC D6/329, 352, 360, 672, 673, 677, 678,
D6/685, 686, 692, 692.1, 692.2, 692.3,
D6/695, 695.2, 695.8, 698, 657; D26/24,
D26/93, 104, 110, 118

CPC G09F 1/065; A47B 13/023; A47B 13/12;
A47B 13/00; A47F 3/00; A47F 3/005

See application file for complete search history.

OTHER PUBLICATIONS

“Round Terrarium Display End Table.” Found online Jun. 16, 2022 at www.amazon.com. Product first available Apr. 18, 2019. Retrieved from URL: https://www.amazon.com/Round-Terrarium-Display-Table-Reinforced/dp/B07P65GHRC (Year: 2019).*

Primary Examiner — Mary Ann Calabrese

Assistant Examiner — Katelin G Kloberg

(74) *Attorney, Agent, or Firm* — Crawford Intellectual Property Law LLC; Brie A. Crawford

(56) **References Cited**

U.S. PATENT DOCUMENTS

D47,821 S * 9/1915 Huskey D6/692.3
D63,113 S * 10/1923 Slinger D6/692.3
1,710,123 A 4/1929 Toops
D86,132 S * 2/1932 Kanter D6/692.3
1,942,190 A 1/1934 Smullin
D93,968 S * 12/1934 Brower D6/692.3
2,361,875 A 10/1944 Sachs
2,567,593 A 9/1951 Bemis
2,568,534 A 9/1951 Baker
3,494,308 A * 2/1970 Perrin A47B 13/02
108/150
3,669,392 A 6/1972 Saunders
D225,938 S * 1/1973 Kienel D6/692.3
3,828,695 A 8/1974 Skarky
3,871,655 A 3/1975 Zimmers et al.

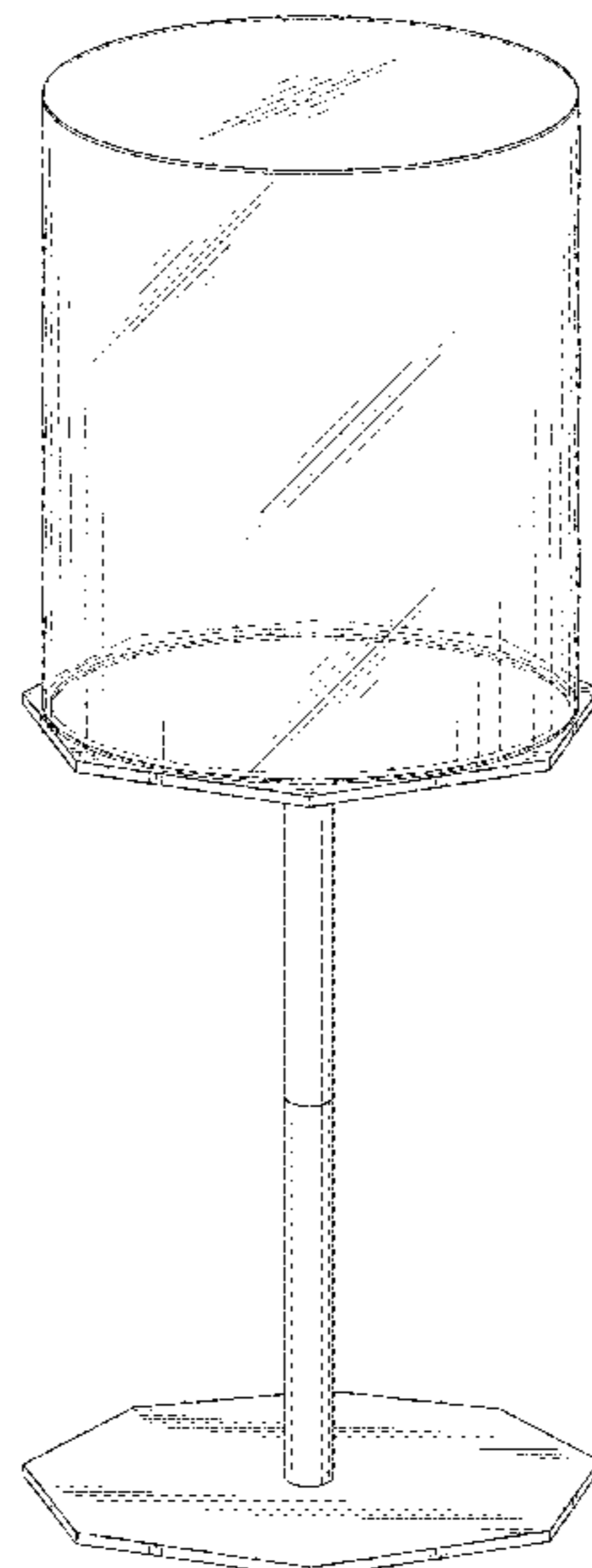
(57) **CLAIM**

The ornamental design for a table, as shown and described.

DESCRIPTION

FIG. 1 depicts a top, front perspective view of a table showing my new design;
FIG. 2 depicts a front elevational view thereof;
FIG. 3 depicts a rear elevational view thereof;
FIG. 4 depicts a top plan view thereof;
FIG. 5 depicts a bottom plan view thereof;
FIG. 6 depicts a left elevational view thereof; and,
FIG. 7 depicts a right elevational view thereof.

1 Claim, 6 Drawing Sheets



(56)

References Cited

U.S. PATENT DOCUMENTS

4,833,999 A 5/1989 Rhoades
 D343,310 S * 1/1994 Wong D6/692.3
 D345,571 S * 3/1994 Hanlon, III D16/221
 D363,399 S * 10/1995 Wong D6/692.3
 5,465,671 A 11/1995 Genest
 5,513,825 A 5/1996 Gutgsell
 5,794,932 A 8/1998 Gastone
 6,467,843 B1 10/2002 Rossborough
 D537,272 S 2/2007 Zungri
 D677,945 S 3/2013 Boda et al.
 8,448,907 B2 5/2013 Witschen
 D721,526 S * 1/2015 Bosman D6/692.3
 D731,211 S * 6/2015 Denby D6/675
 D764,196 S * 8/2016 Handler D6/360
 D766,823 S * 9/2016 Wahl D26/93
 D771,303 S * 11/2016 Ross D26/118
 9,622,571 B1 4/2017 Wassel et al.

D790,108 S * 6/2017 Starck D26/110
 9,913,697 B1 3/2018 DeVeaux
 D870,700 S * 12/2019 Lee D14/216
 D888,321 S * 6/2020 Smrstick D26/93
 D938,207 S * 12/2021 Long D6/686
 2004/0107882 A1 6/2004 Zaremski et al.
 2006/0202092 A1 9/2006 Johnson
 2007/0215011 A1 9/2007 Khan
 2008/0196636 A1 8/2008 Lawrence
 2009/0121095 A1 5/2009 Eighmie
 2015/0083678 A1 3/2015 Baughman

FOREIGN PATENT DOCUMENTS

DE 9102898 U1 7/1991
 FR 955901-011 5/1996
 FR 977671-001 6/1998
 WO 2008125619 A1 10/2008

* cited by examiner

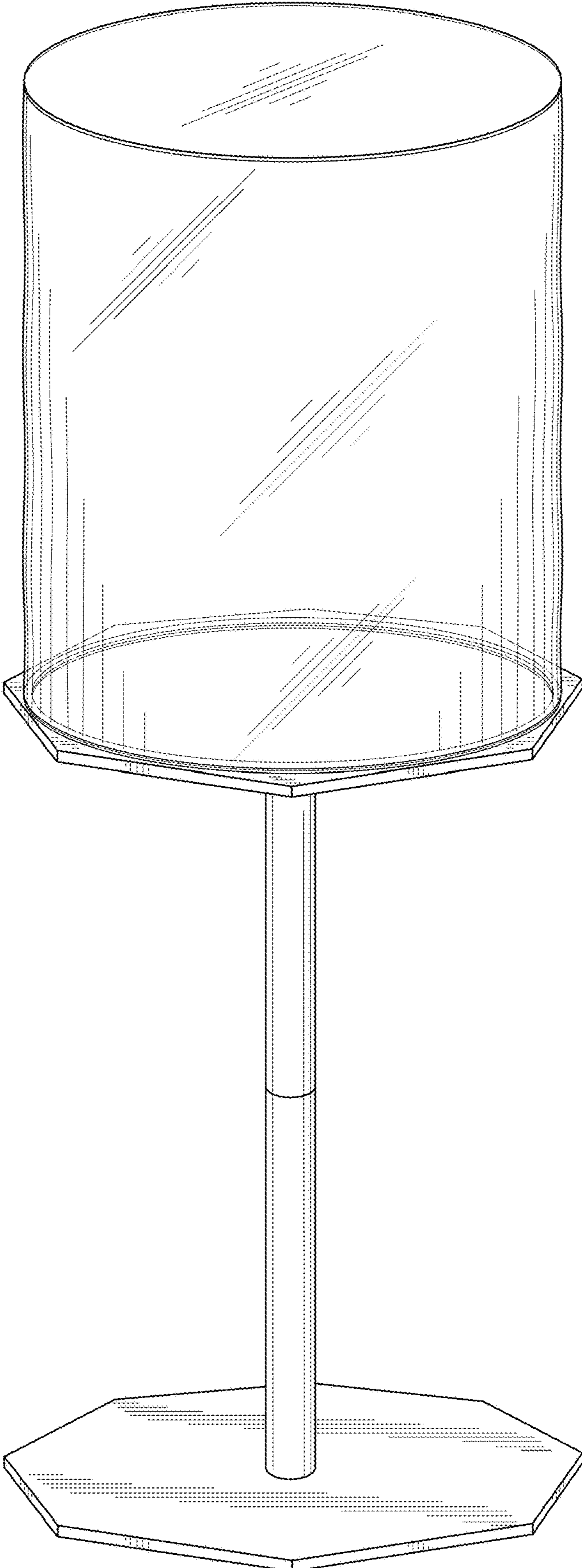


FIG. 1

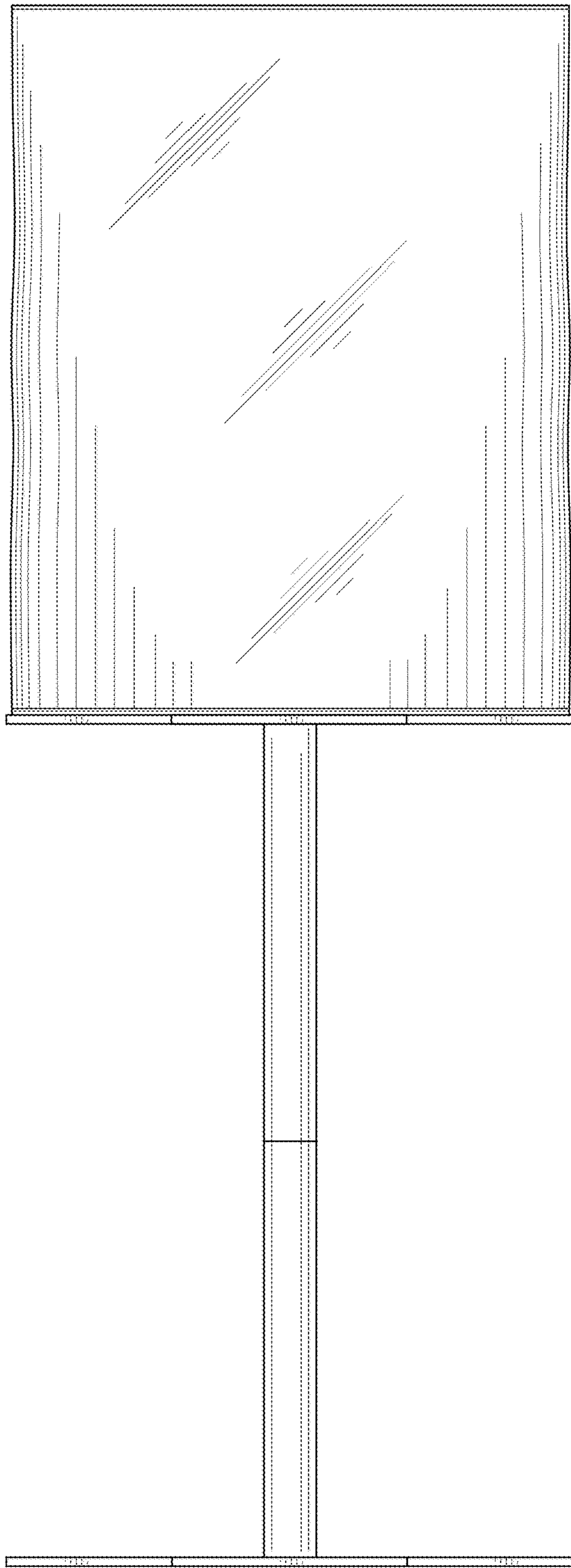


FIG. 2

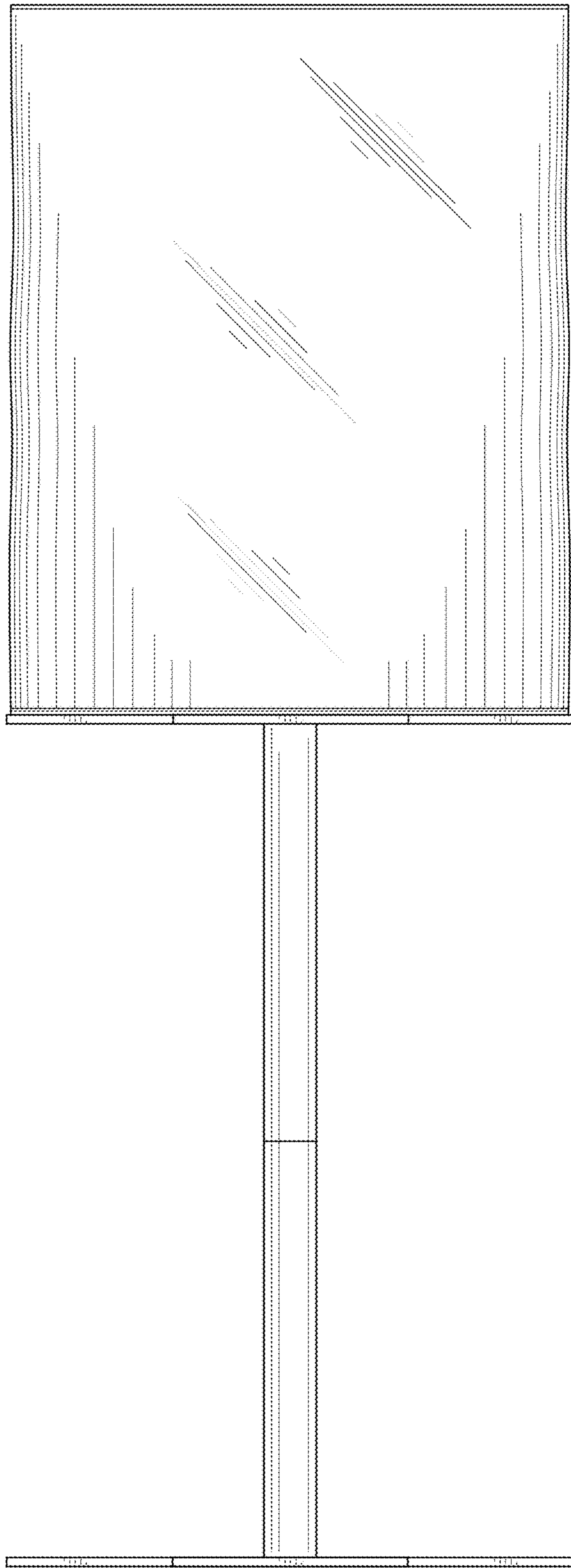


FIG. 3

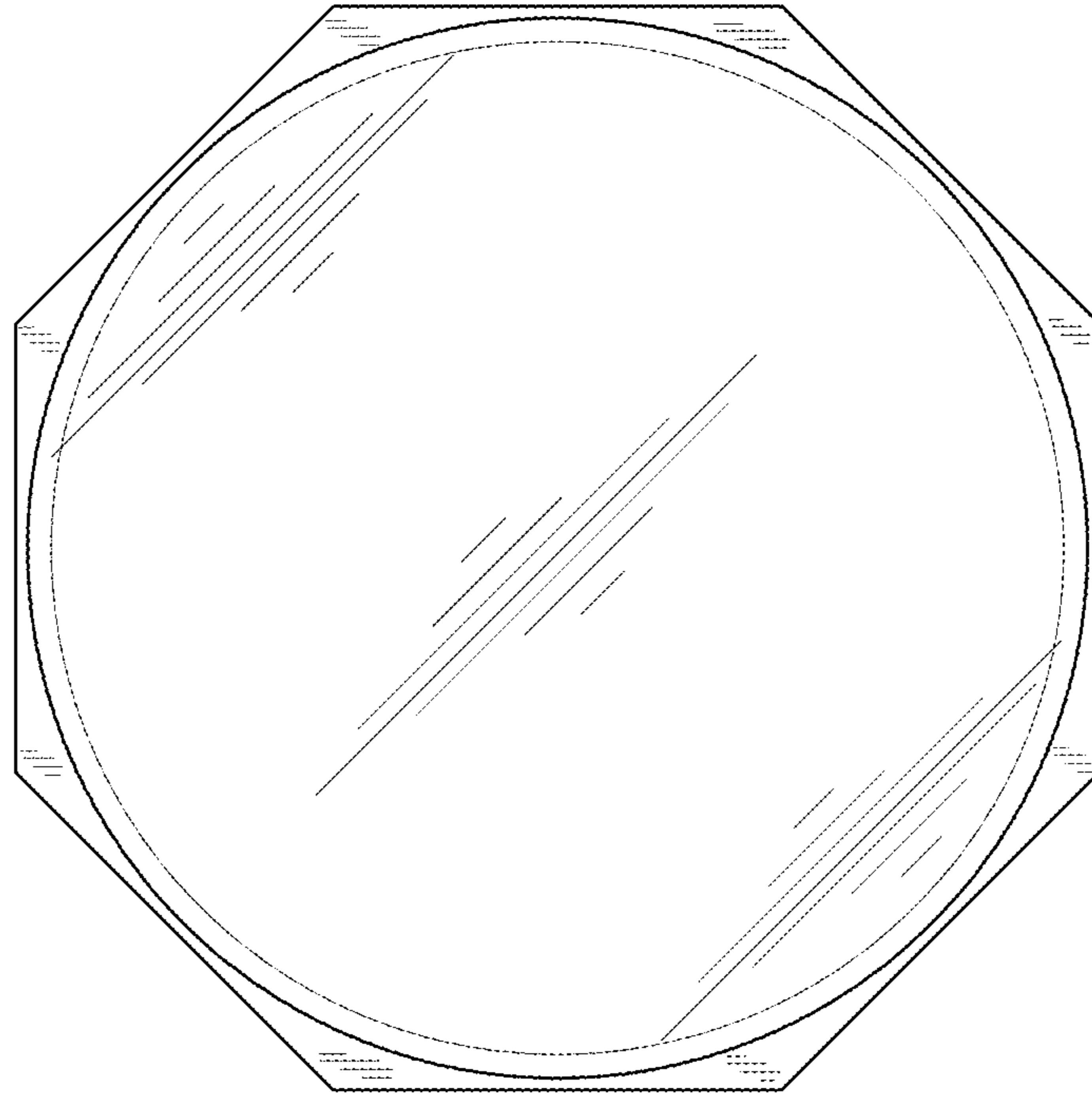


FIG. 4

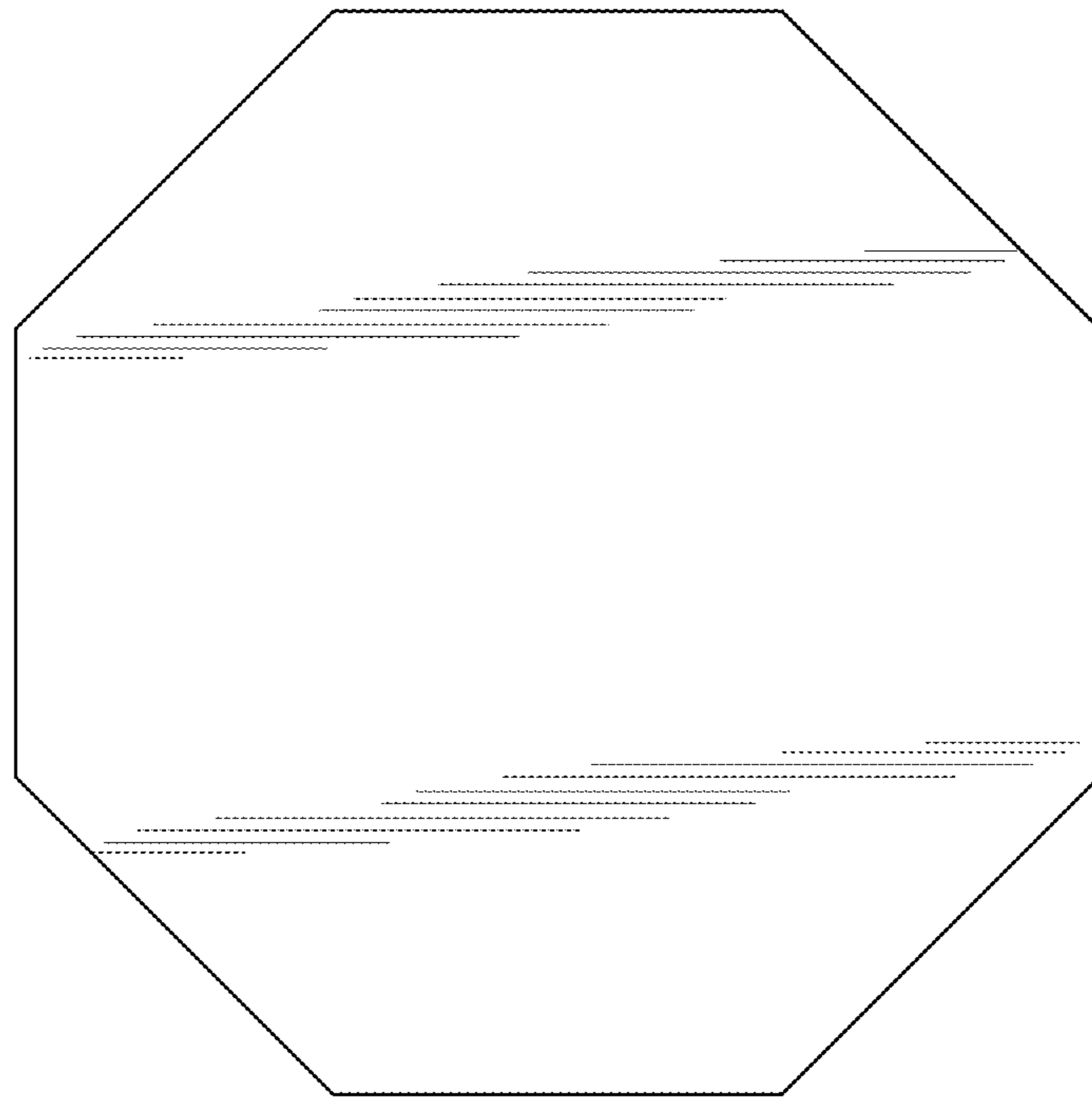


FIG. 5

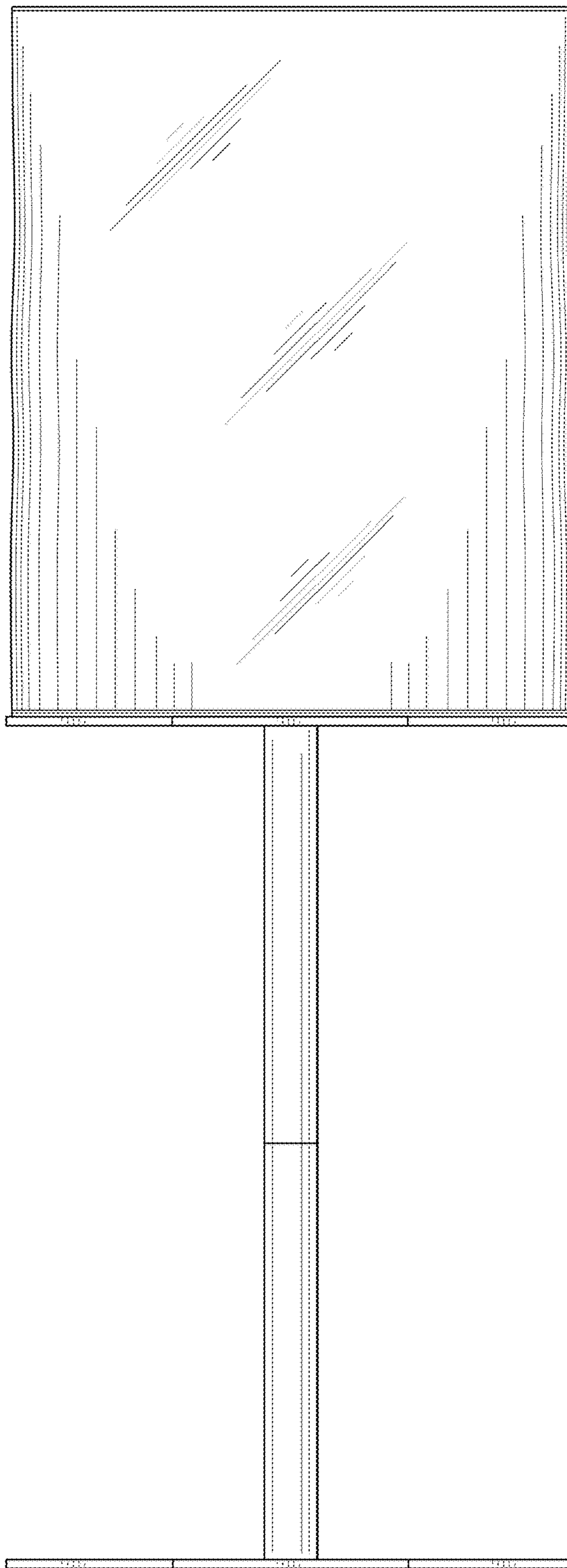


FIG. 6

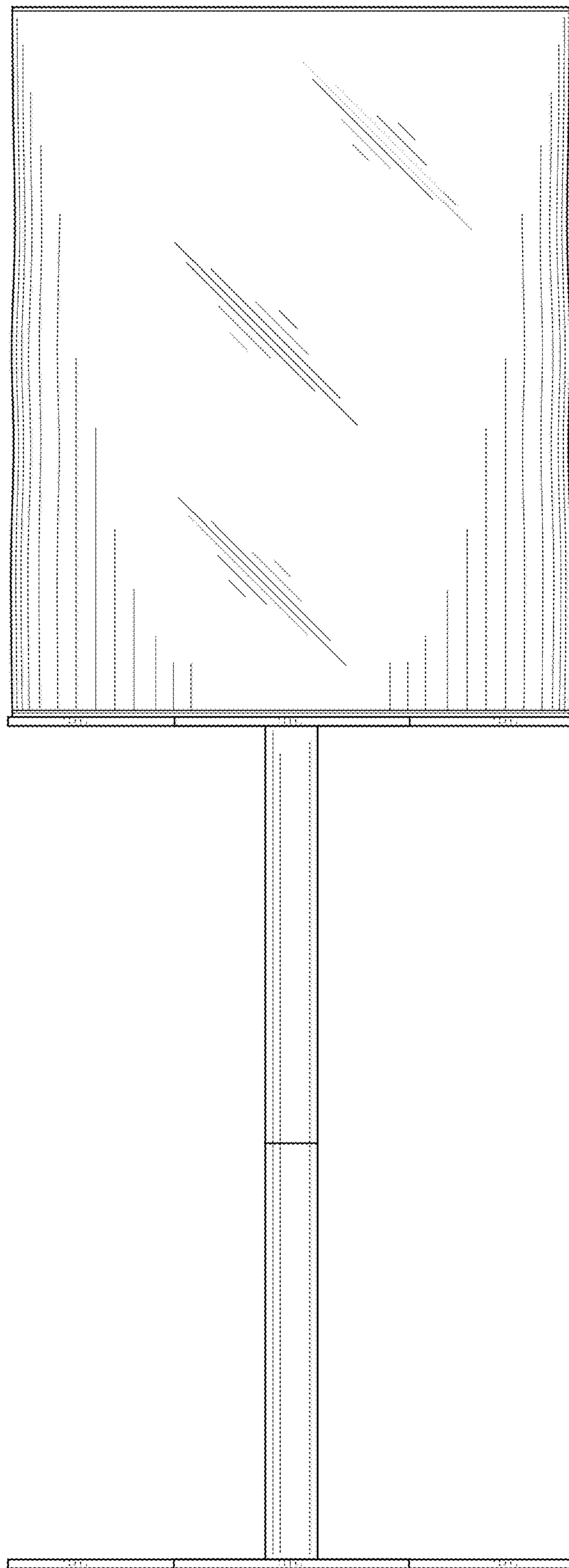


FIG. 7