



US00D969521S

(12) **United States Design Patent**
Mani

(10) **Patent No.:** **US D969,521 S**

(45) **Date of Patent:** **** Nov. 15, 2022**

(54) **TRAVEL PILLOW**

(71) Applicant: **Marc Mani**, Beverly Hills, CA (US)

(72) Inventor: **Marc Mani**, Beverly Hills, CA (US)

(**) Term: **15 Years**

(21) Appl. No.: **29/759,247**

(22) Filed: **Nov. 20, 2020**

(51) **LOC (13) Cl.** **06-13**

(52) **U.S. Cl.**

USPC **D6/601**

(58) **Field of Classification Search**

USPC D6/601, 604-606; D24/191

CPC A47C 27/00; A47C 20/021; A47C 27/12;

A47C 7/383; A47G 9/1081

See application file for complete search history.

(56) **References Cited**

U.S. PATENT DOCUMENTS

D211,244	S	*	6/1968	Hawley	D6/601
4,031,578	A		6/1977	Sweeney		
4,447,922	A		5/1984	Brochu		
D321,562	S	*	11/1991	Ljungvall	D6/601
5,154,649	A	*	10/1992	Pender	A47D 13/083 5/655
D342,855	S	*	1/1994	Butler, II	5/655
5,400,802	A	*	3/1995	Niemeyer	A61F 5/3707 128/870
D377,729	S	*	2/1997	Bonaddio	D6/601
D396,594	S		8/1998	Lefebvre		
D407,256	S		3/1999	Backlund		
D414,974	S	*	10/1999	Marrone, II	D6/601
6,010,192	A		1/2000	King		
6,061,854	A	*	5/2000	Crowley	A47D 13/083 5/640
D567,562	S	*	4/2008	Nash	D6/601
D628,845	S	*	12/2010	Guner	D6/601
D637,439	S	*	5/2011	Mettler	D6/601
8,566,986	B1		10/2013	Chu		
8,584,285	B1		11/2013	Sipherd		

D701,063	S	*	3/2014	Myers	D6/601
8,898,849	B2		12/2014	Majette		
D725,407	S		3/2015	McCracken		

(Continued)

FOREIGN PATENT DOCUMENTS

GB			2510644	A		8/2014
KR			101538695	B		7/2015
KR			20150092658	A		8/2015

OTHER PUBLICATIONS

Geneva Enterprises Anterior/Posterior Skull Block, Online Product Page. Date Accessed: Aug. 2, 2022. Accessed on the Internet URL: <https://www.genevahc.com/product/supportshield-anterior-posterior-skull-block/> (Year: 2022).*

Primary Examiner — S. Bryan Reinholdt, Jr.

Assistant Examiner — Julia S Folkart

(57) **CLAIM**

The ornamental design for a travel pillow, as shown and described.

DESCRIPTION

FIG. 1 is a perspective view of a travel pillow in accordance with the invention;

FIG. 2 is a front elevation of the travel pillow shown in FIG. 1;

FIG. 3 is a rear elevation view of the travel pillow shown in FIG. 1;

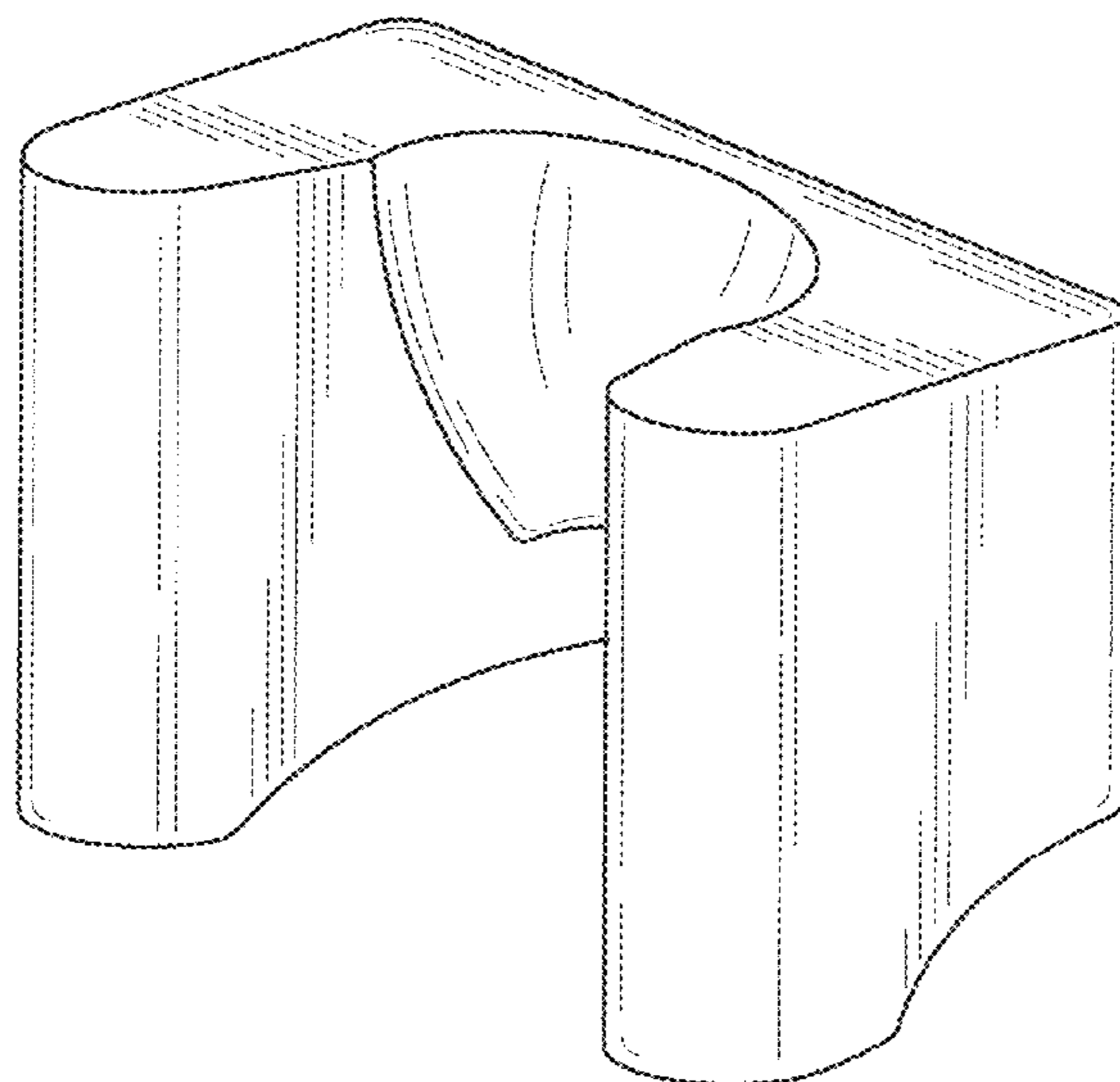
FIG. 4 is a right elevation view of the travel pillow shown in FIG. 1;

FIG. 5 is a left elevation view of the travel pillow shown in FIG. 1;

FIG. 6 is an overhead view of the travel pillow shown in FIG. 1; and,

FIG. 7 is a bottom view of the travel pillow shown in FIG. 1.

1 Claim, 7 Drawing Sheets



(56)

References Cited

U.S. PATENT DOCUMENTS

D731,813	S *	6/2015	Durkin	D6/601
D756,687	S *	5/2016	Durkin	D6/601
D764,189	S *	8/2016	Edwards	D6/349
9,434,283	B2	9/2016	Spalter	
D769,029	S	10/2016	Okwumabua	
D787,232	S	5/2017	Arabo	
D808,195	S	1/2018	Wyborn	
D823,026	S	7/2018	Shi	
D897,734	S *	10/2020	Moffett	D6/601
D910,339	S	2/2021	Dennewald	
D913,012	S	3/2021	Krishtul	
D915,104	S	4/2021	Yang	
11,160,400	B1 *	11/2021	Mani	A47G 9/1045
11,357,347	B1 *	6/2022	Mani	A47G 9/1045
2006/0250015	A1 *	11/2006	Buck	B60N 2/882 297/397
2006/0267392	A1	11/2006	Charnitski	
2007/0022537	A1	2/2007	Faustick	
2010/0237677	A1	9/2010	Nam	
2012/0110742	A1	5/2012	Lawler	
2013/0232693	A1	9/2013	Myers	
2015/0121626	A1	5/2015	Carver	
2019/0008294	A1	1/2019	Marshall	
2019/0182593	A1	6/2019	Guerrini	
2019/0231099	A1	8/2019	Davis	
2022/0160151	A1 *	5/2022	Mani	A47G 9/1045
2022/0160152	A1 *	5/2022	Mani	A47G 9/1045

* cited by examiner

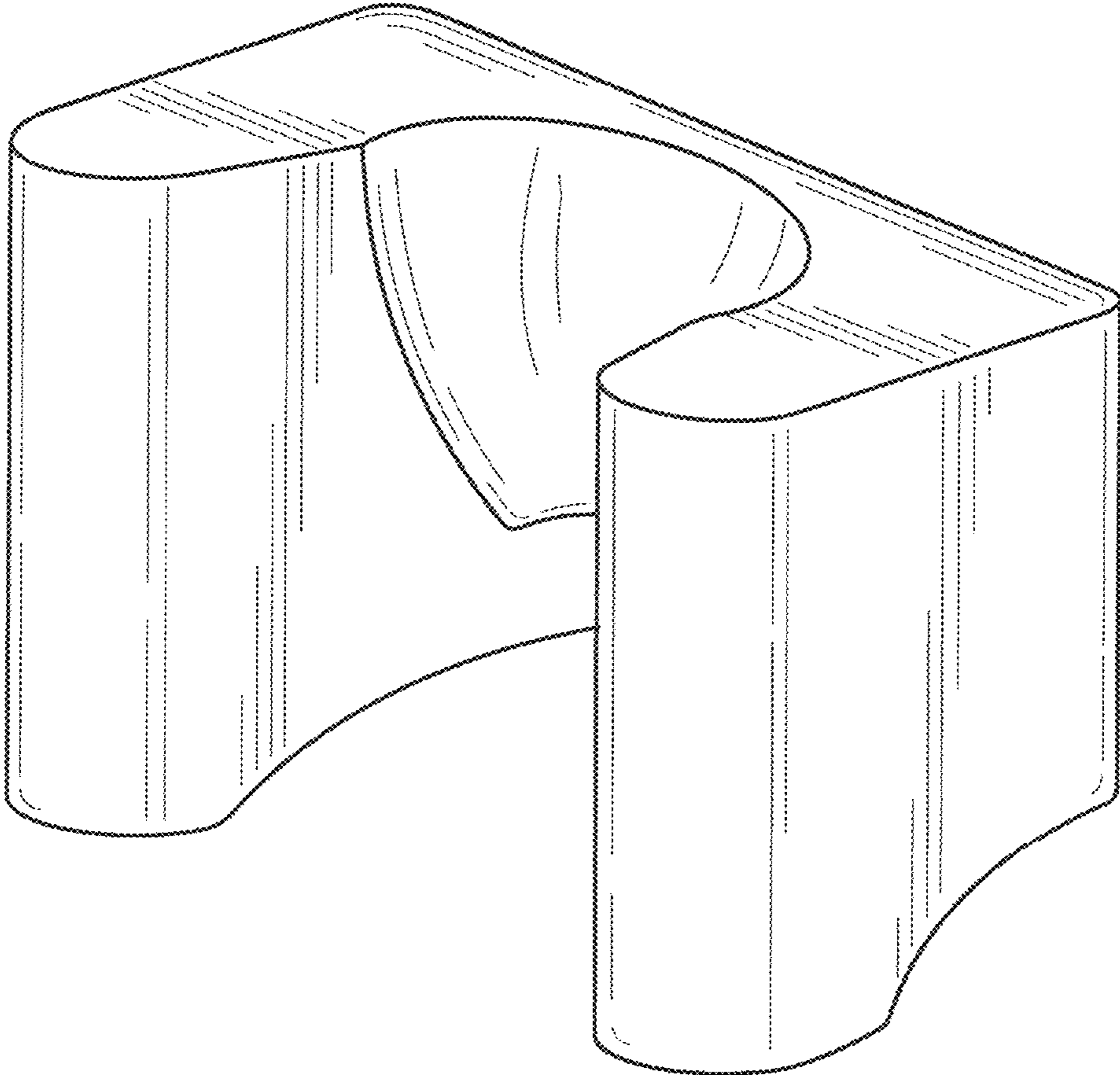


FIG. 1

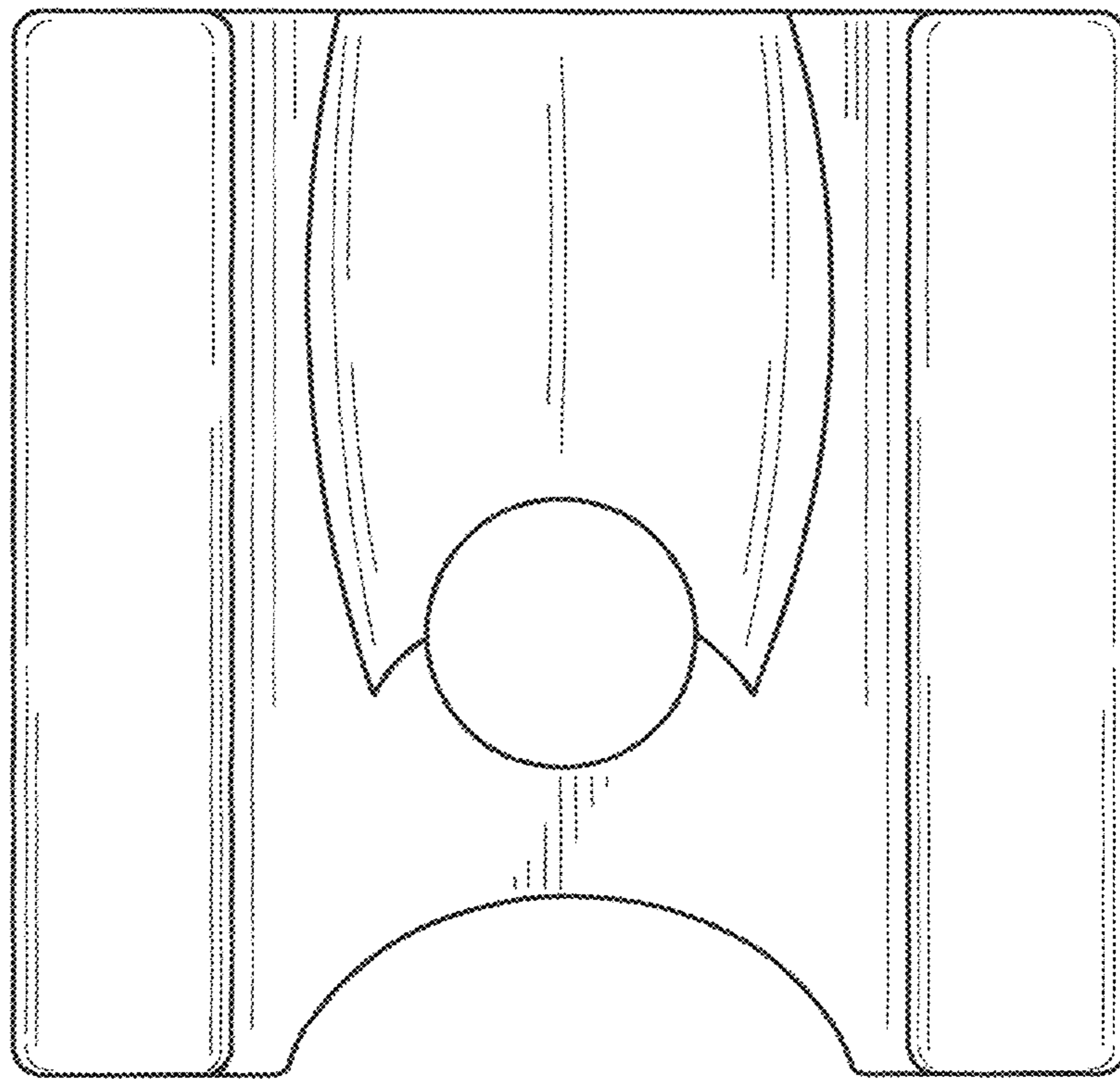


FIG. 2

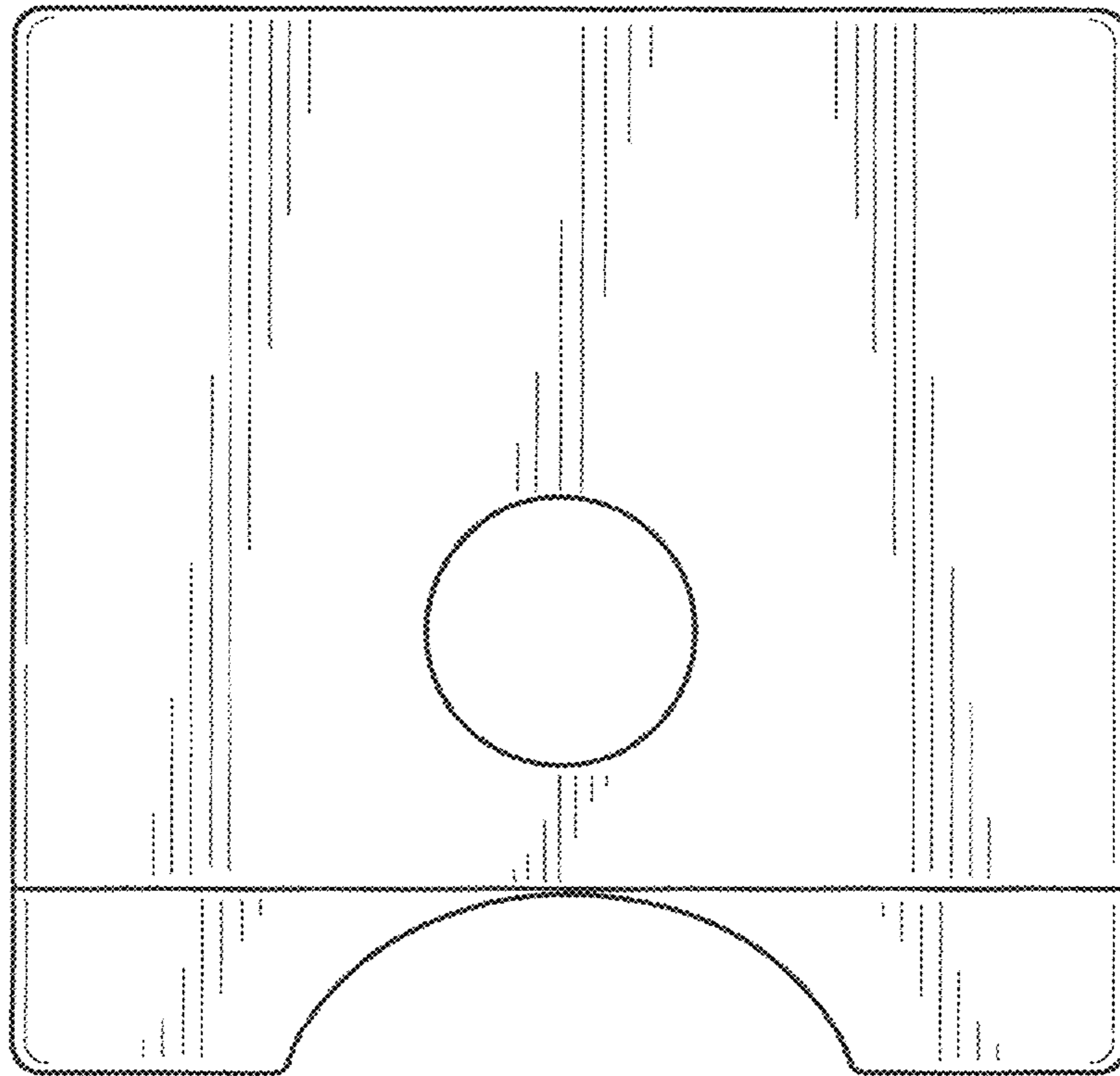


FIG. 3

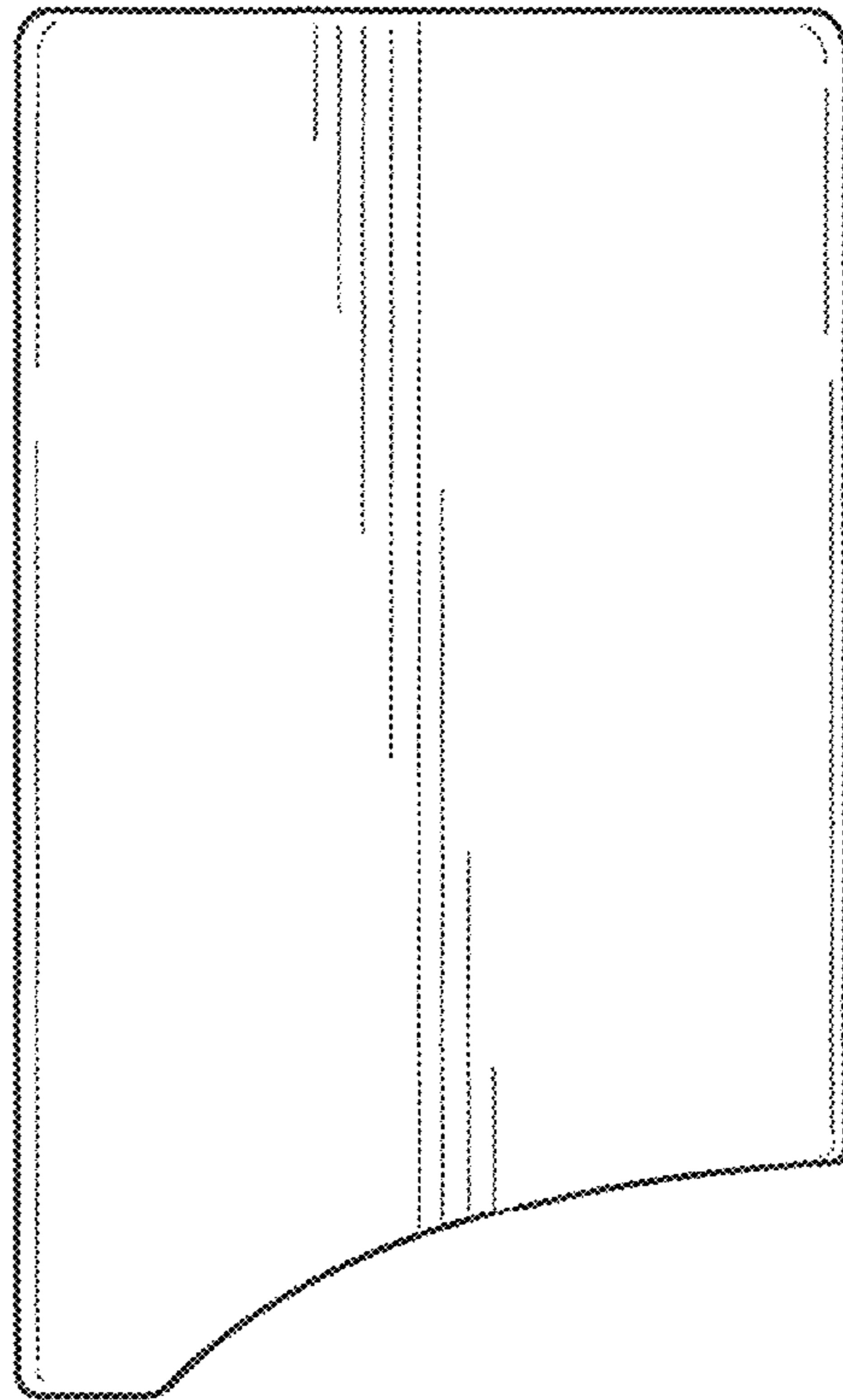


FIG. 4

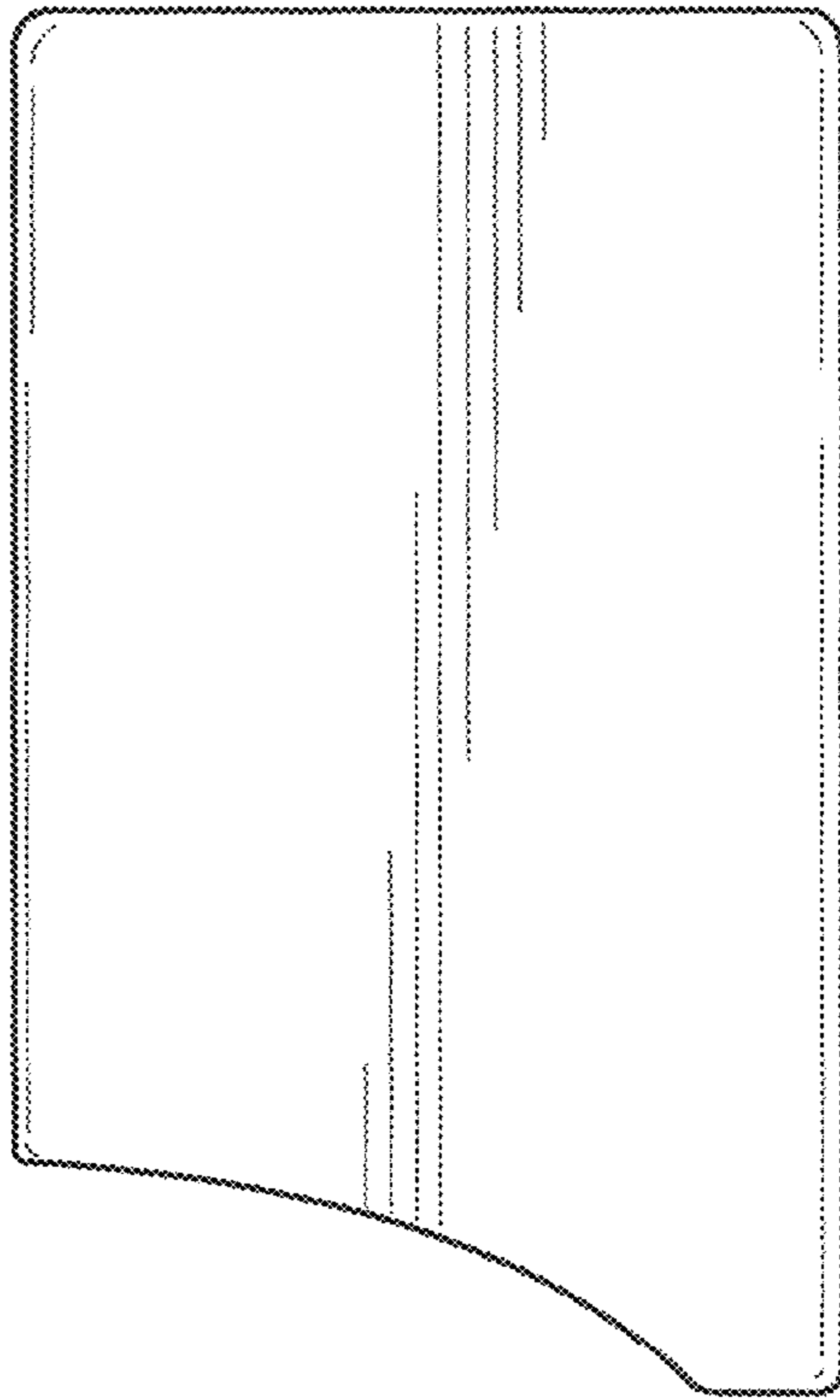


FIG. 5

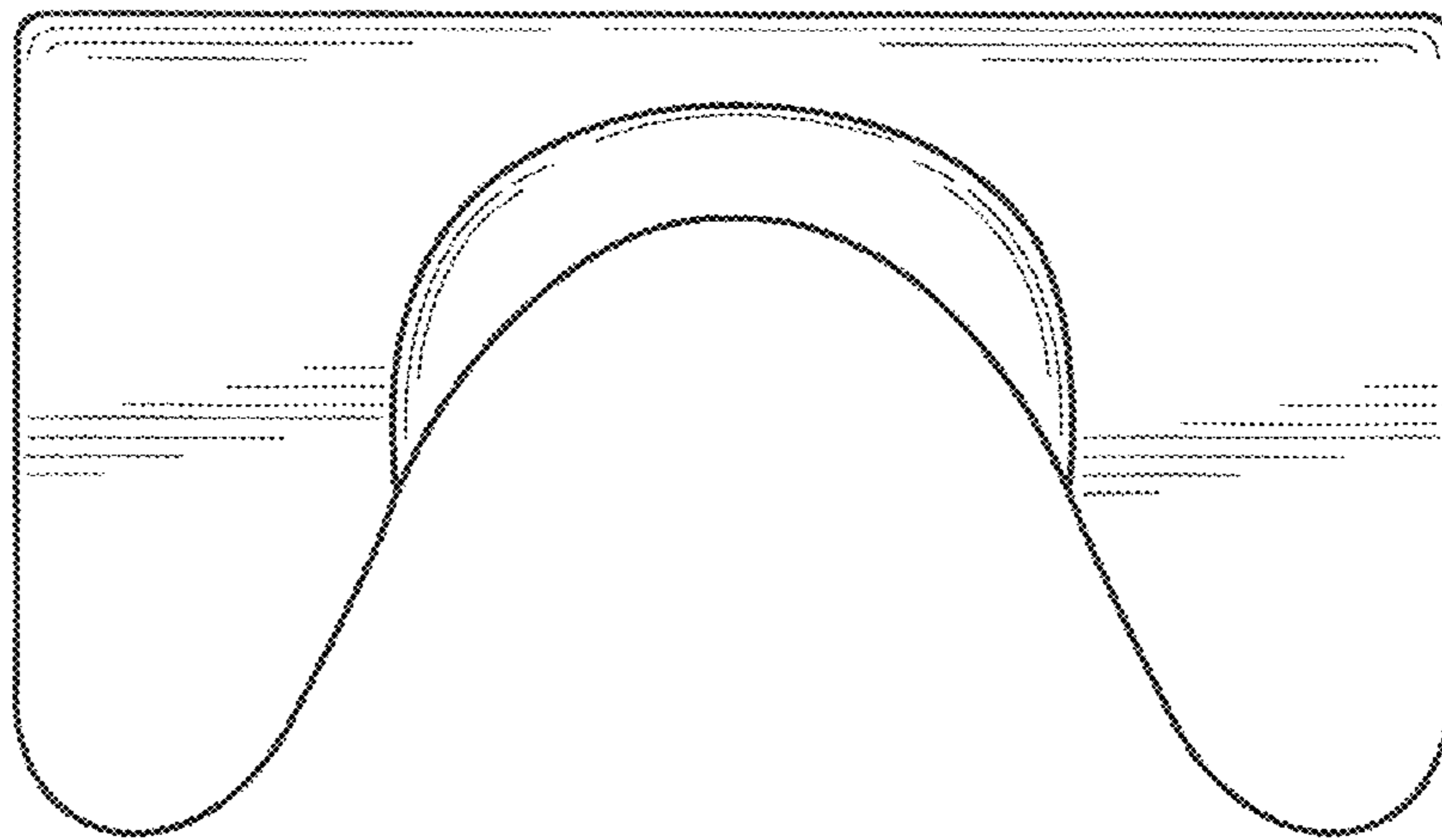


FIG. 6

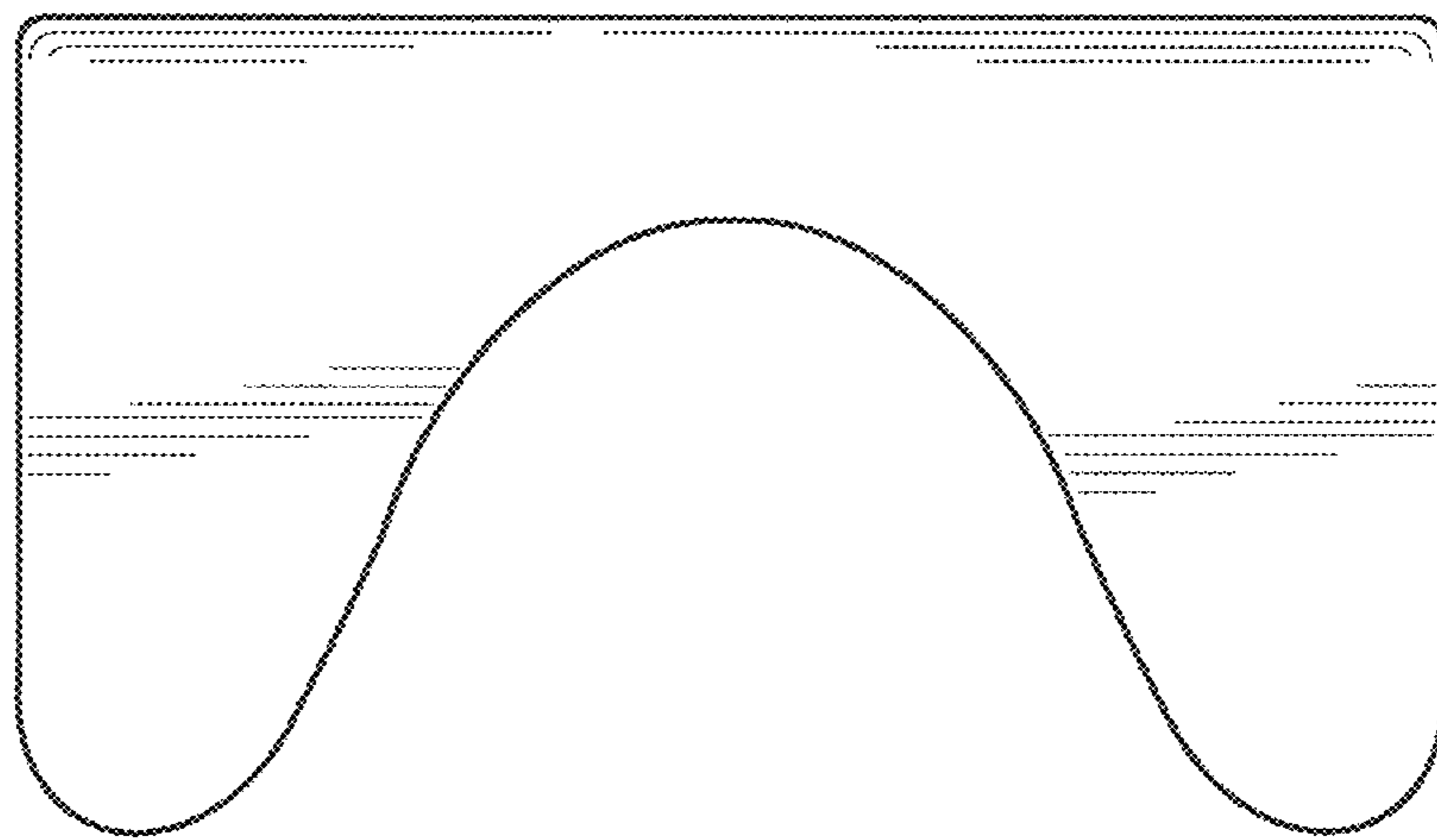


FIG. 7