



US00D969513S

(12) **United States Design Patent** (10) **Patent No.:** **US D969,513 S**  
**Tan** (45) **Date of Patent:** **\*\* Nov. 15, 2022**

(54) **SOFA**  
(71) Applicant: **RUIHAO FURNITURE MFG. CO. LTD.**, Dongguan (CN)  
(72) Inventor: **Changming Tan**, Guangzhou (CN)  
(73) Assignee: **RUIHAO FURNITURE MFG. CO. LTD.**, Dongguan (CN)  
(\*\*) Term: **15 Years**  
(21) Appl. No.: **29/752,646**  
(22) Filed: **Sep. 28, 2020**  
(51) **LOC (13) Cl.** ..... **06-01**  
(52) **U.S. Cl.**  
USPC ..... **D6/381**; D6/335  
(58) **Field of Classification Search**  
USPC ..... D6/334-337, 349, 369, 374, 375, 377, D6/381  
CPC .. A47C 7/24; A47C 7/54; A47C 7/541; A47C 7/546; A47C 17/00; A47C 17/02; A47C 17/04; A47C 17/045; A47C 17/12; A47C 17/13; A47C 17/132; A47C 17/134; A47C 17/136; A47C 17/16; A47C 17/162; A47C 17/17  
See application file for complete search history.

D677,490 S \* 3/2013 Manzoni ..... D6/381  
D738,641 S \* 9/2015 Adair ..... D6/381  
D930,374 S \* 9/2021 Kanthasamy ..... D6/335

**FOREIGN PATENT DOCUMENTS**

CN 306036445 \* 4/2020

**OTHER PUBLICATIONS**

Beckett Sofa—2 Seat [online], [site visited Nov. 4, 2021]. Available from internet, URL: <<https://www.havertys.com/furniture/beckett-sofa-2-seat>> (Year: 2016).\*

(Continued)

*Primary Examiner* — Llorellys Martinez  
*Assistant Examiner* — Xavier Marti-Santos  
(74) *Attorney, Agent, or Firm* — Sherman IP LLP;  
Kenneth L. Sherman; Steven Laut

(57) **CLAIM**

The ornamental design for a sofa, as shown and described.

**DESCRIPTION**

FIG. 1 is a perspective view of a sofa, showing my new design;  
FIG. 2 is a front view thereof;  
FIG. 3 is a rear view thereof;  
FIG. 4 is a right side view thereof;  
FIG. 5 is a left side view thereof;  
FIG. 6 is a top view thereof; and,  
FIG. 7 is a bottom view thereof.

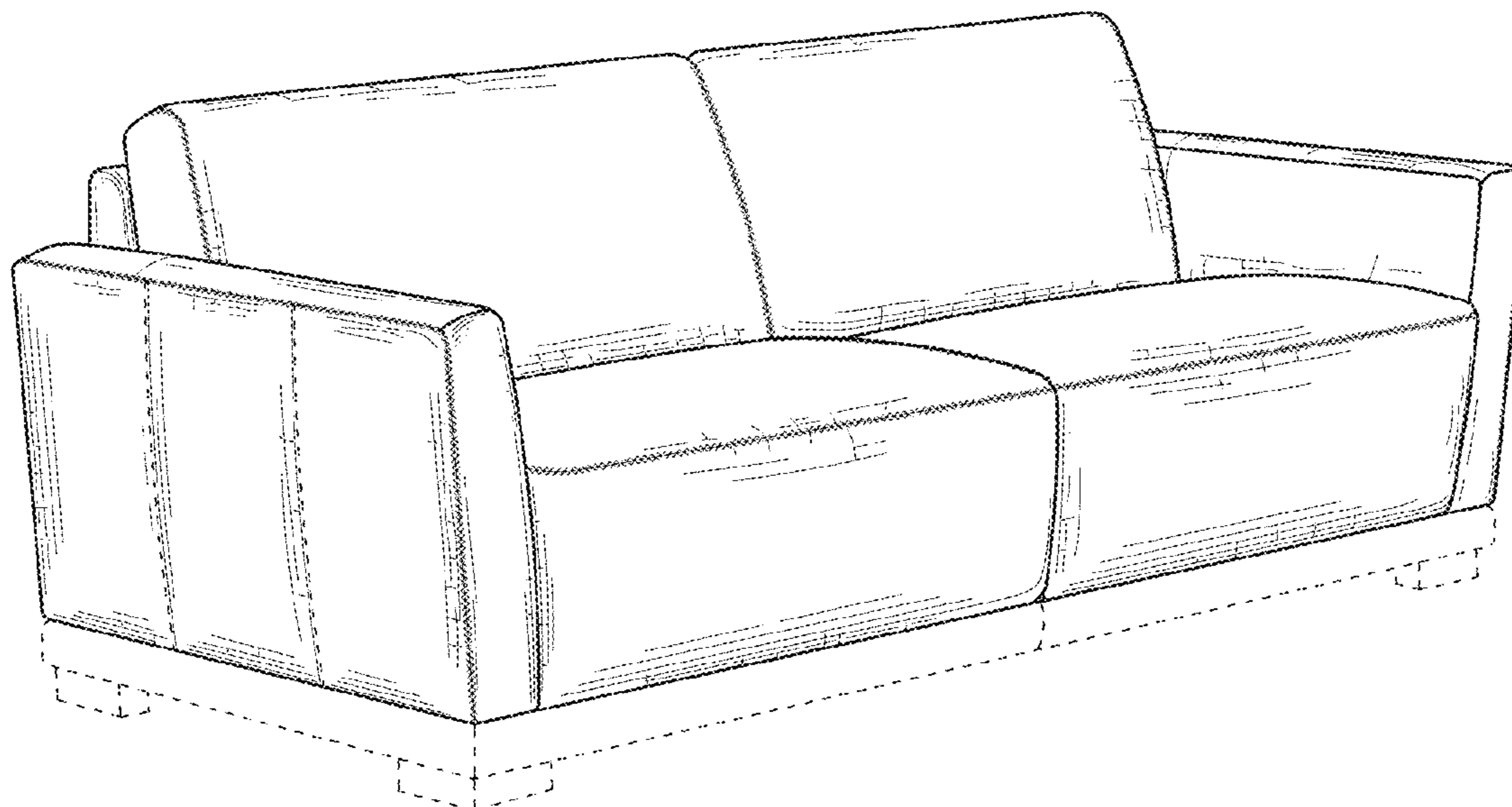
The cross-hatching shading in the figures is fragmentarily shown for convenience of illustration, it being understood that the cross-hatching is uniformly continued over the surface on which it appears. Features shown in broken lines in FIGS. 1-7 illustrate portions of the sofa that form no part of the claimed design.

**1 Claim, 7 Drawing Sheets**

(56) **References Cited**

**U.S. PATENT DOCUMENTS**

D526,807 S \* 8/2006 Natuzzi ..... D6/381  
D552,867 S \* 10/2007 Natuzzi ..... D6/381  
D584,524 S \* 1/2009 Ricci ..... D6/381  
D590,165 S \* 4/2009 Natuzzi ..... D6/381  
D590,171 S \* 4/2009 Natuzzi ..... D6/381  
D590,179 S \* 4/2009 Natuzzi ..... D6/381  
D591,073 S \* 4/2009 Natuzzi ..... D6/381  
D592,882 S \* 5/2009 Natuzzi ..... D6/381  
D593,766 S \* 6/2009 Natuzzi ..... D6/381



(56)

**References Cited**

OTHER PUBLICATIONS

Lovesac—Create Your Own Sectional Couch [online], [site visited Nov. 4, 2021]. Available from internet, URL: <[https://www.lovesac.com/2-seats-4-sides-sactional-taupe-padded-velvet.html?&utm\\_content=-dc\\_pcrd\\_545694652477\\_pkw\\_pmt\\_&gclid=CjwKCAjwiY6MBhBqEiwARFSCPpEMiHcjjoCGcly6j\\_2bdF2iapFykHUoyOmle0jutKHrefEwmuby3BoCmK0QAvD\\_BwE&gclsrc=aw.ds](https://www.lovesac.com/2-seats-4-sides-sactional-taupe-padded-velvet.html?&utm_content=-dc_pcrd_545694652477_pkw_pmt_&gclid=CjwKCAjwiY6MBhBqEiwARFSCPpEMiHcjjoCGcly6j_2bdF2iapFykHUoyOmle0jutKHrefEwmuby3BoCmK0QAvD_BwE&gclsrc=aw.ds)> (Year: 2021).\*

Colby 2-piece Leather Sofa and Loveseat Set [online], [site visited Mar. 31, 2022]. Available from internet, URL: <<https://www.costco.com/colby-2-piece-leather-sofa-and-loveseat-set.product.100665384.html>> (Year: 2020).\*

\* cited by examiner

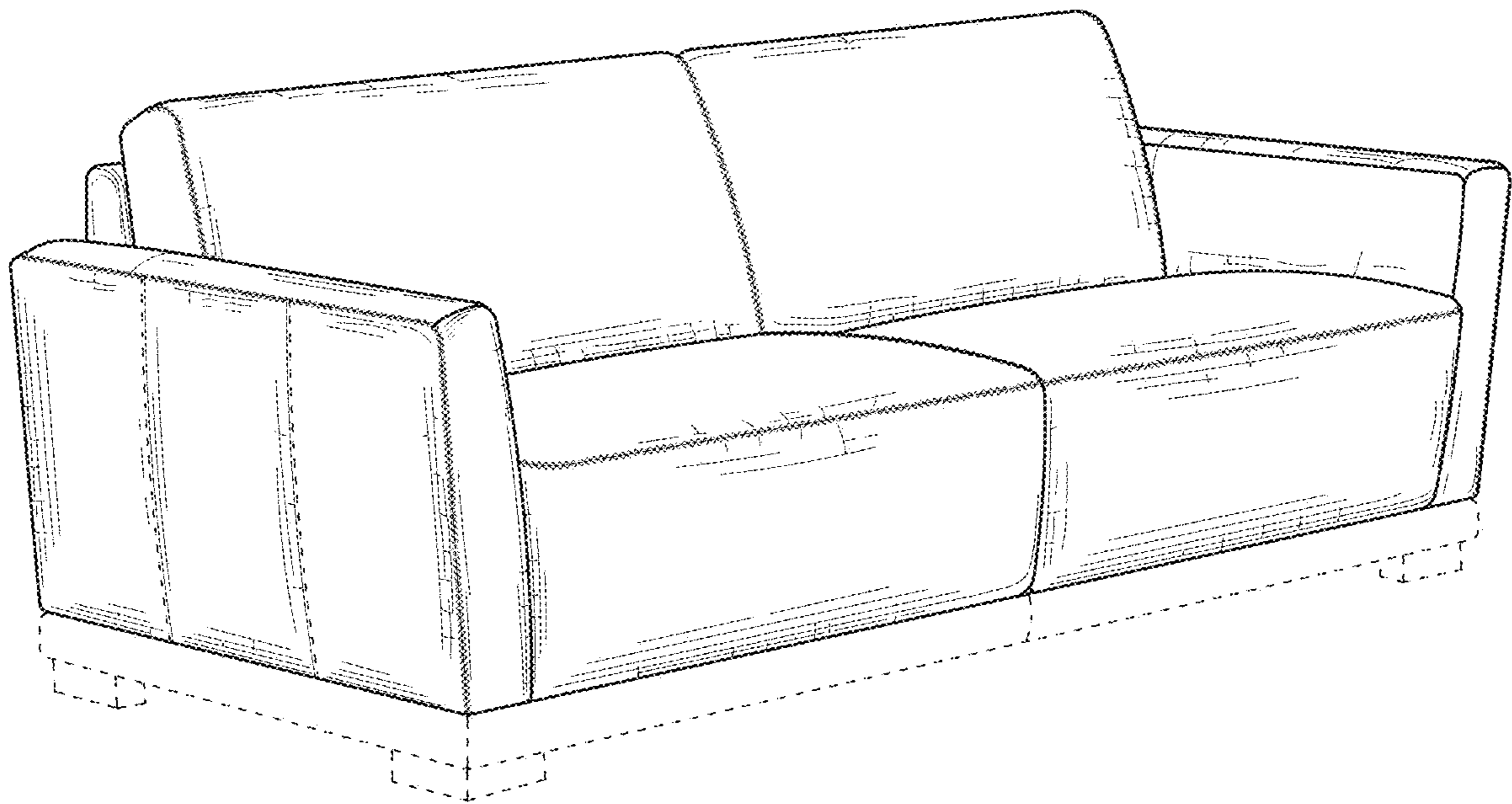


FIG. 1

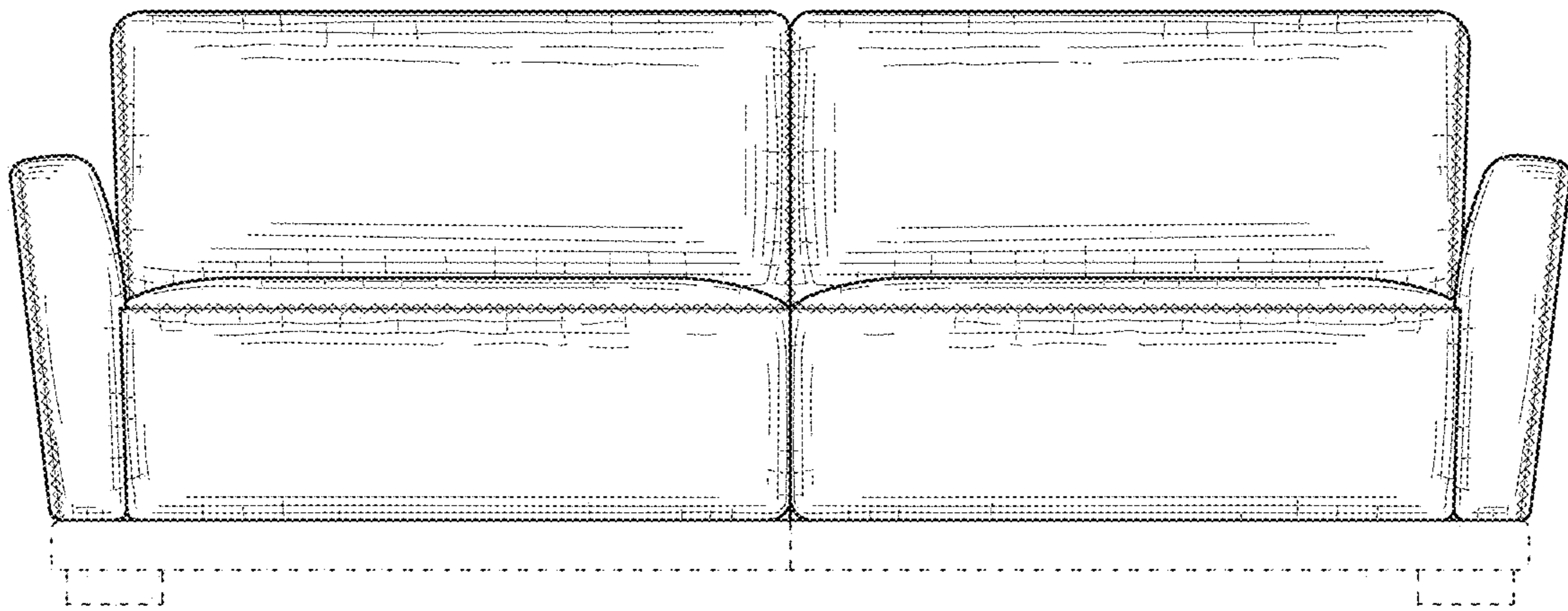


FIG. 2

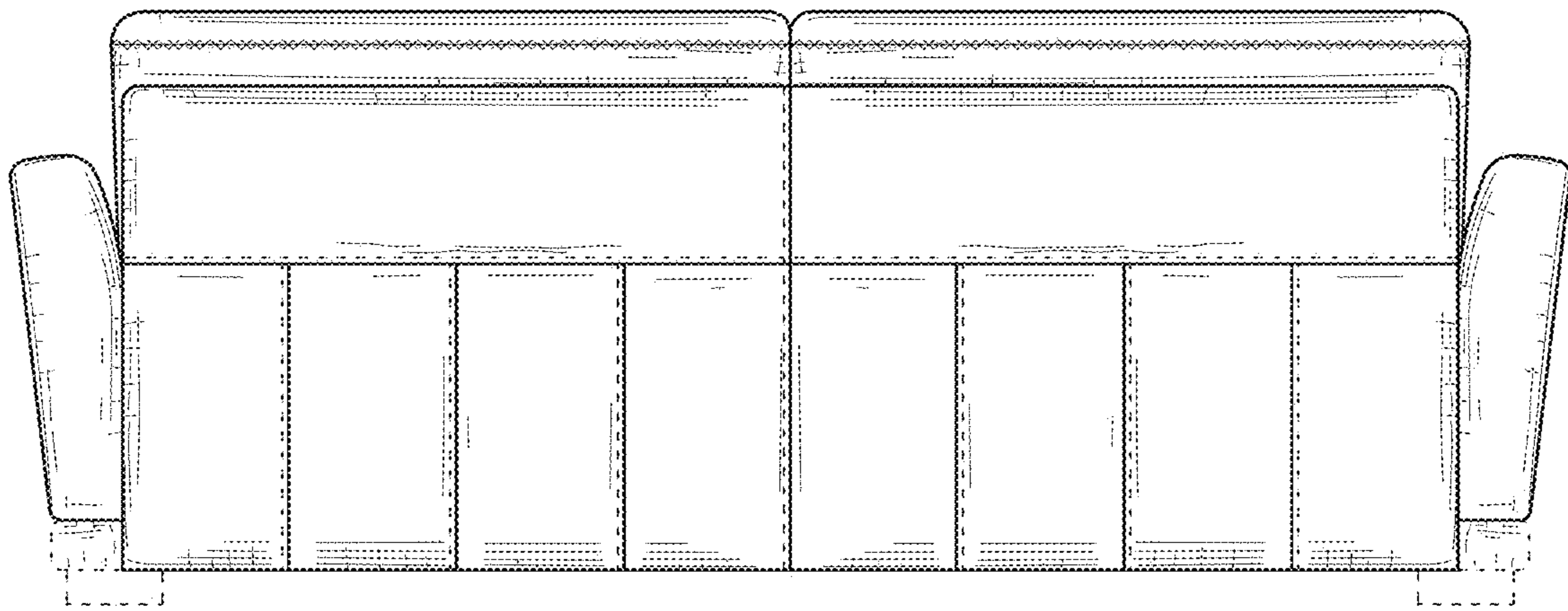


FIG. 3

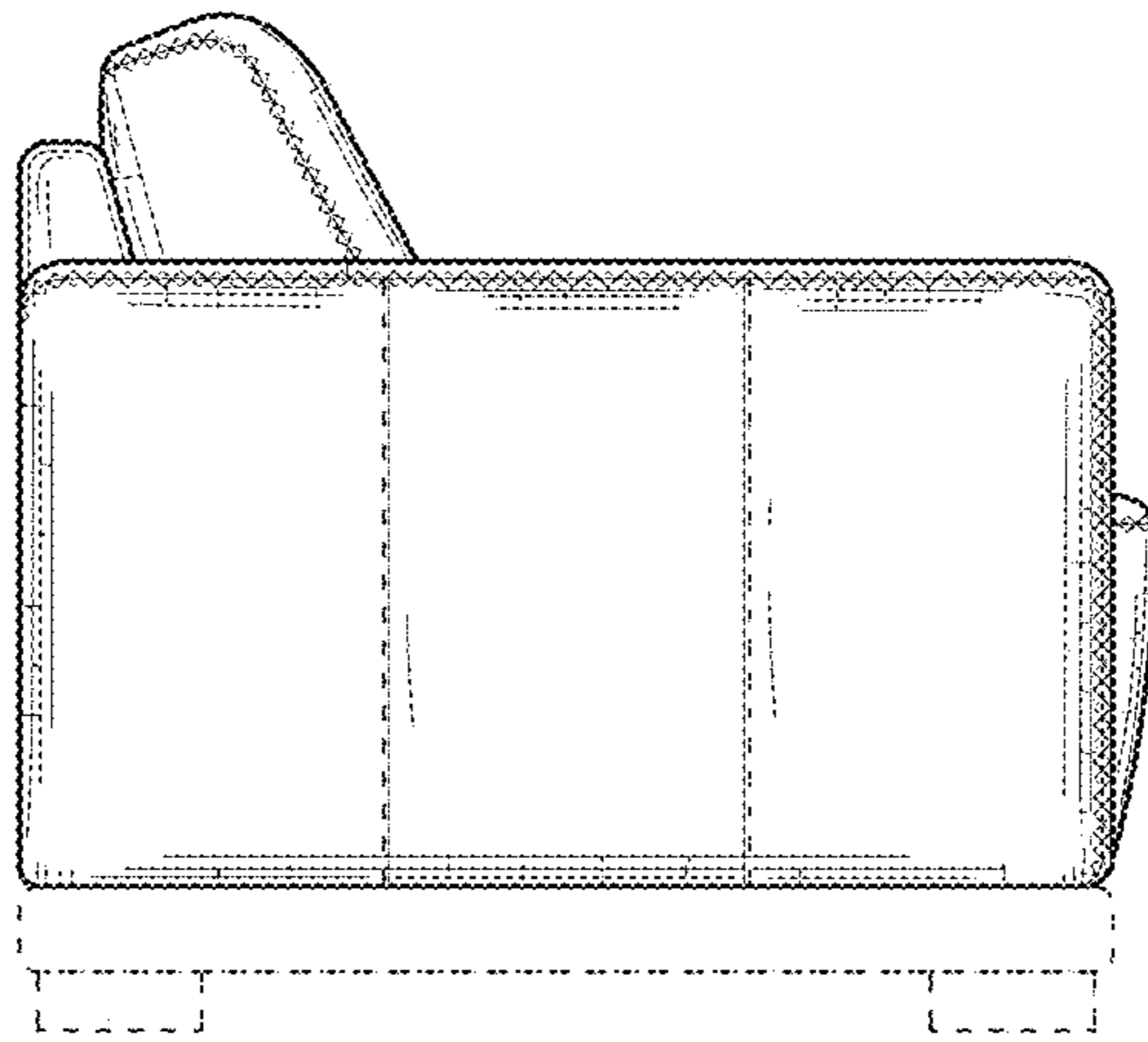


FIG. 4

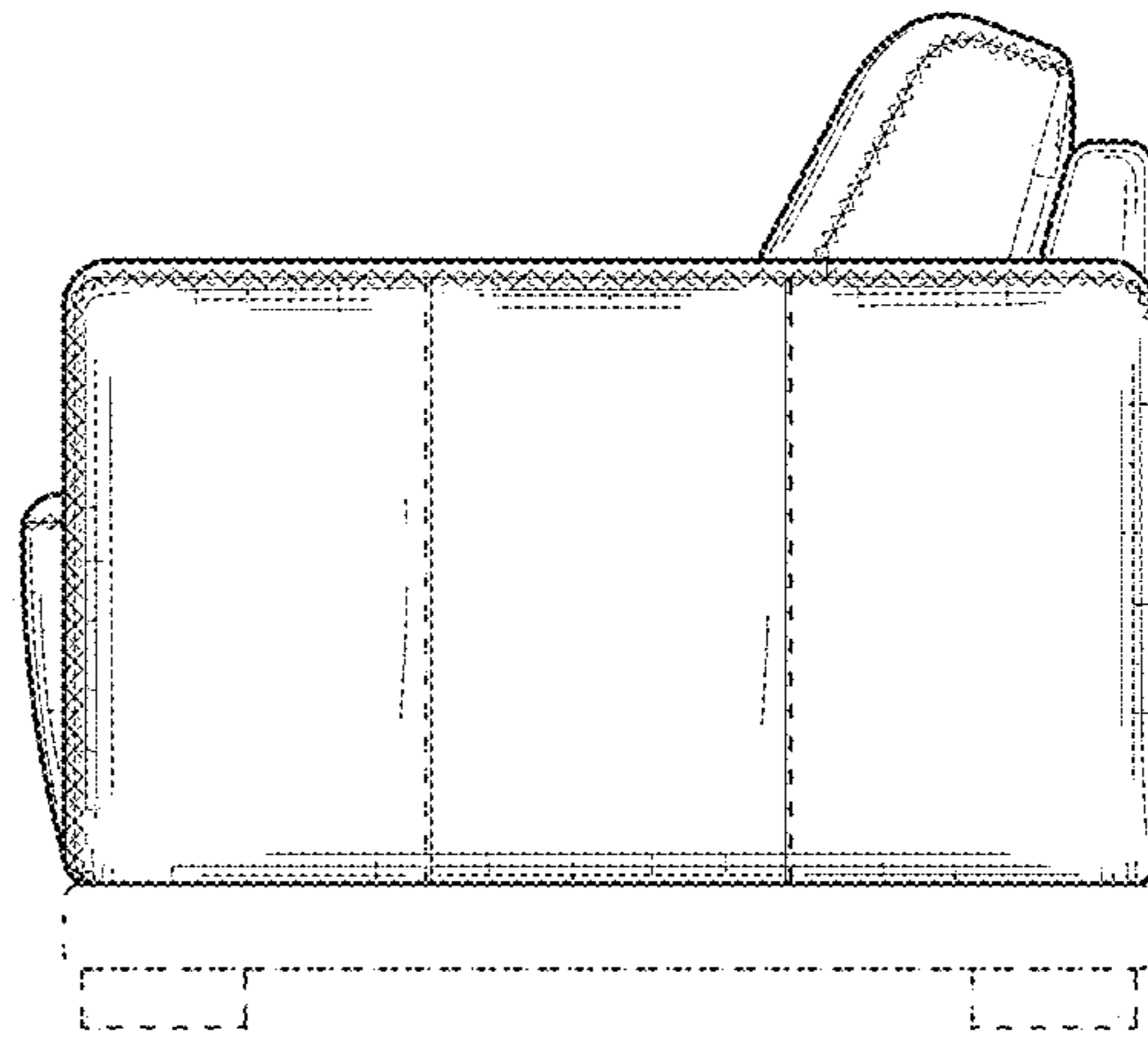


FIG. 5

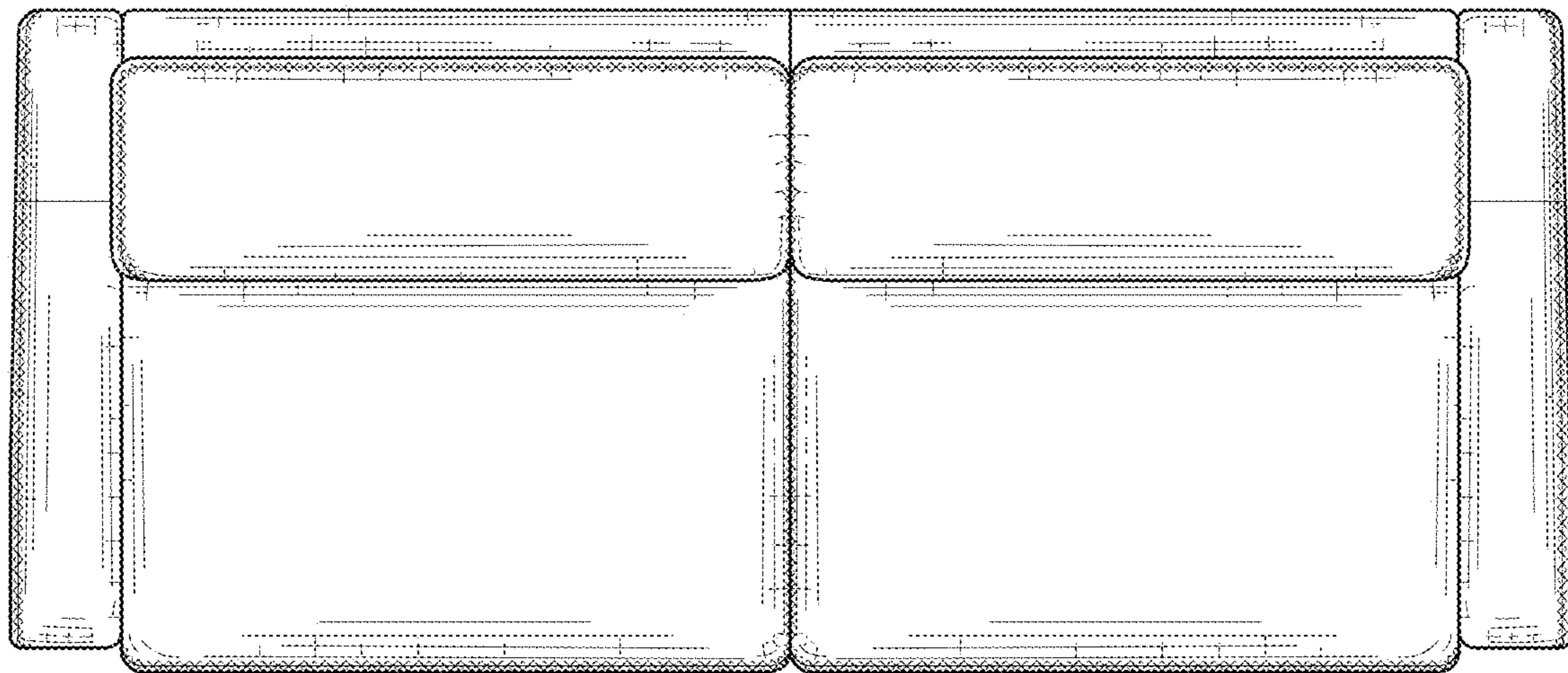


FIG. 6



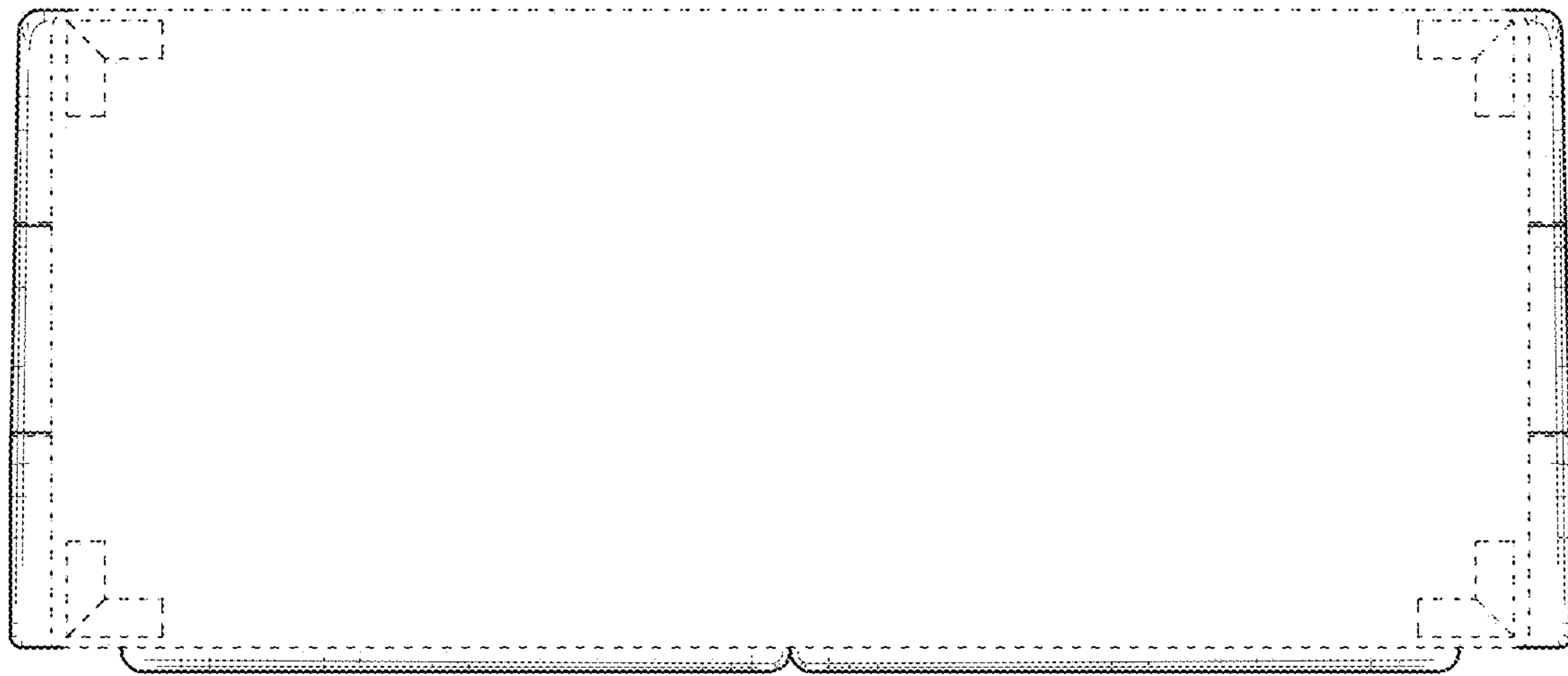


FIG. 7