

US00D969511S

(12) **United States Design Patent**
Ascalon

(10) **Patent No.:** **US D969,511 S**

(45) **Date of Patent:** **** Nov. 15, 2022**

(54) **SEAT**

(71) Applicant: **RH US, LLC**, Corte Madera, CA (US)

(72) Inventor: **Bradley Ascalon**, New York, NY (US)

(73) Assignee: **RH US, LLC**, Corte Madera, CA (US)

(**) Term: **15 Years**

(21) Appl. No.: **29/795,618**

(22) Filed: **Jun. 18, 2021**

(51) **LOC (13) Cl.** **06-01**

(52) **U.S. Cl.**

USPC **D6/372**

(58) **Field of Classification Search**

USPC D6/369, 370, 371, 372, 373, 374, 375,
D6/378, 379

CPC .. A47C 1/02; A47C 4/028; A47C 4/02; A47C
7/02; A47C 7/20; A47C 7/14; A47C 7/44

See application file for complete search history.

(56) **References Cited**

U.S. PATENT DOCUMENTS

2,670,787	A *	3/1954	Vandas	A47C 5/005 297/451.12
D188,046	S *	5/1960	Galloway	D6/379
D222,450	S *	10/1971	Brook	D6/373
D250,922	S *	1/1979	Adkinson	D6/379
D498,939	S *	11/2004	Kirkpatrick	D6/372
D779,850	S *	2/2017	White, III	D6/373
D821,111	S *	6/2018	Scallions	D6/373
D867,006	S *	11/2019	Kohavi	D6/379

D919,995	S *	5/2021	White, III	D6/370
D937,597	S *	12/2021	Boone	D6/371
D955,770	S *	6/2022	Boone	D6/371

* cited by examiner

Primary Examiner — Kevin K Rudzinski

Assistant Examiner — Paul D Bohannon

(74) *Attorney, Agent, or Firm* — Lewis Roca Rothgerber
Christie LLP

(57) **CLAIM**

The ornamental design for a seat, as shown and described.

DESCRIPTION

FIG. 1 is a front left perspective view of a first embodiment of a seat showing my new design;
 FIG. 2 is a rear left perspective view thereof;
 FIG. 3 is a top plan view thereof;
 FIG. 4 is a right side elevation view thereof, the left side elevation view being a mirror image;
 FIG. 5 is a front elevation view thereof;
 FIG. 6 is a rear elevation view thereof;
 FIG. 7 is a front left perspective view of a second embodiment of a seat showing my new design;
 FIG. 8 is a rear left perspective view thereof;
 FIG. 9 is a top plan view thereof;
 FIG. 10 is a right side elevation view thereof, the left side elevation view being a mirror image;
 FIG. 11 is a front elevation view thereof; and,
 FIG. 12 is a rear elevation view thereof.

The broken lines represent environmental subject matter and form no part of the claimed design. The second embodiment is shown with symbolic break lines in FIGS. 7-9, 11, and 12, and those portions of the article between the break lines form no part of the claimed design.

1 Claim, 12 Drawing Sheets

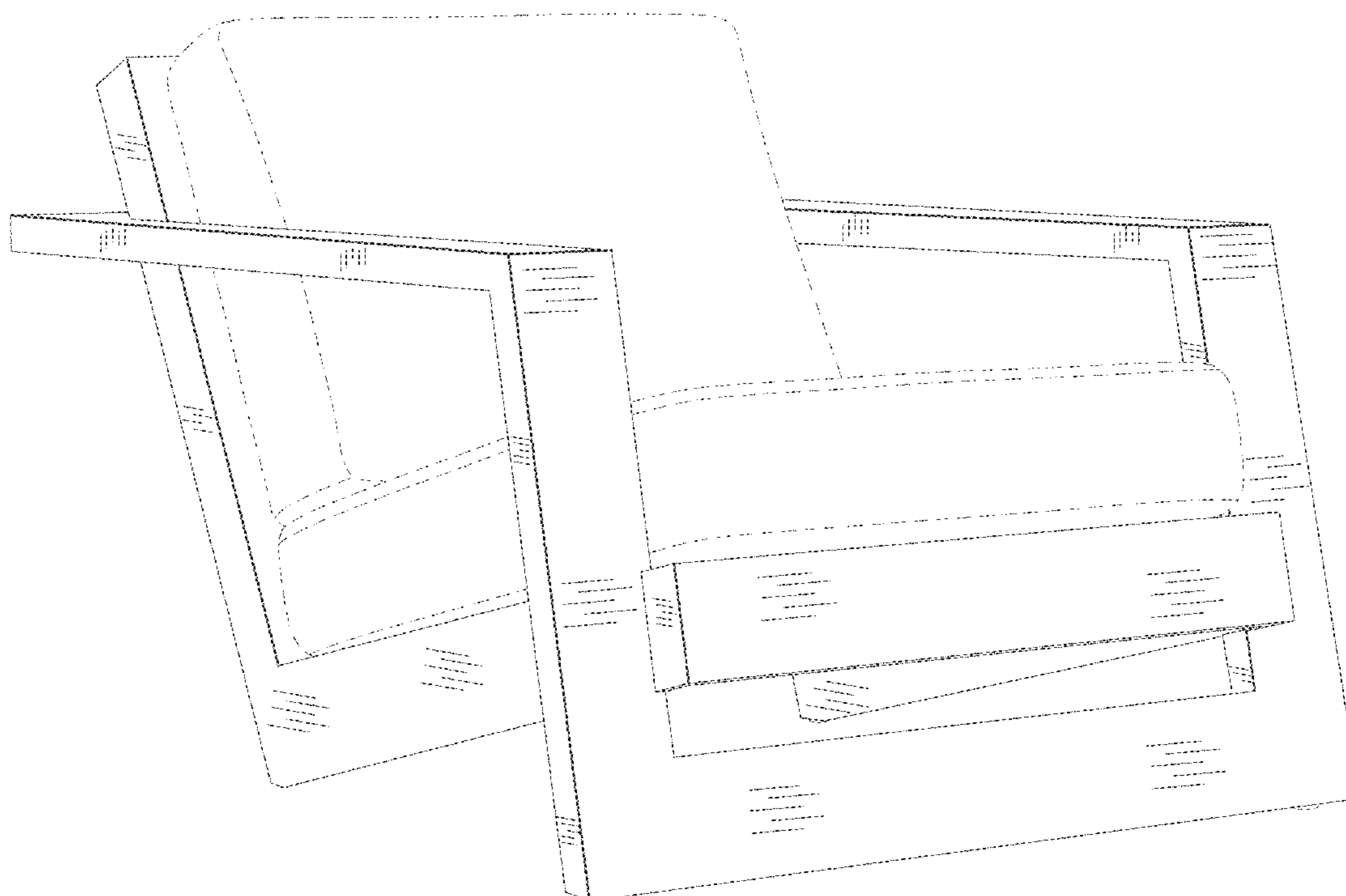


FIG. 1

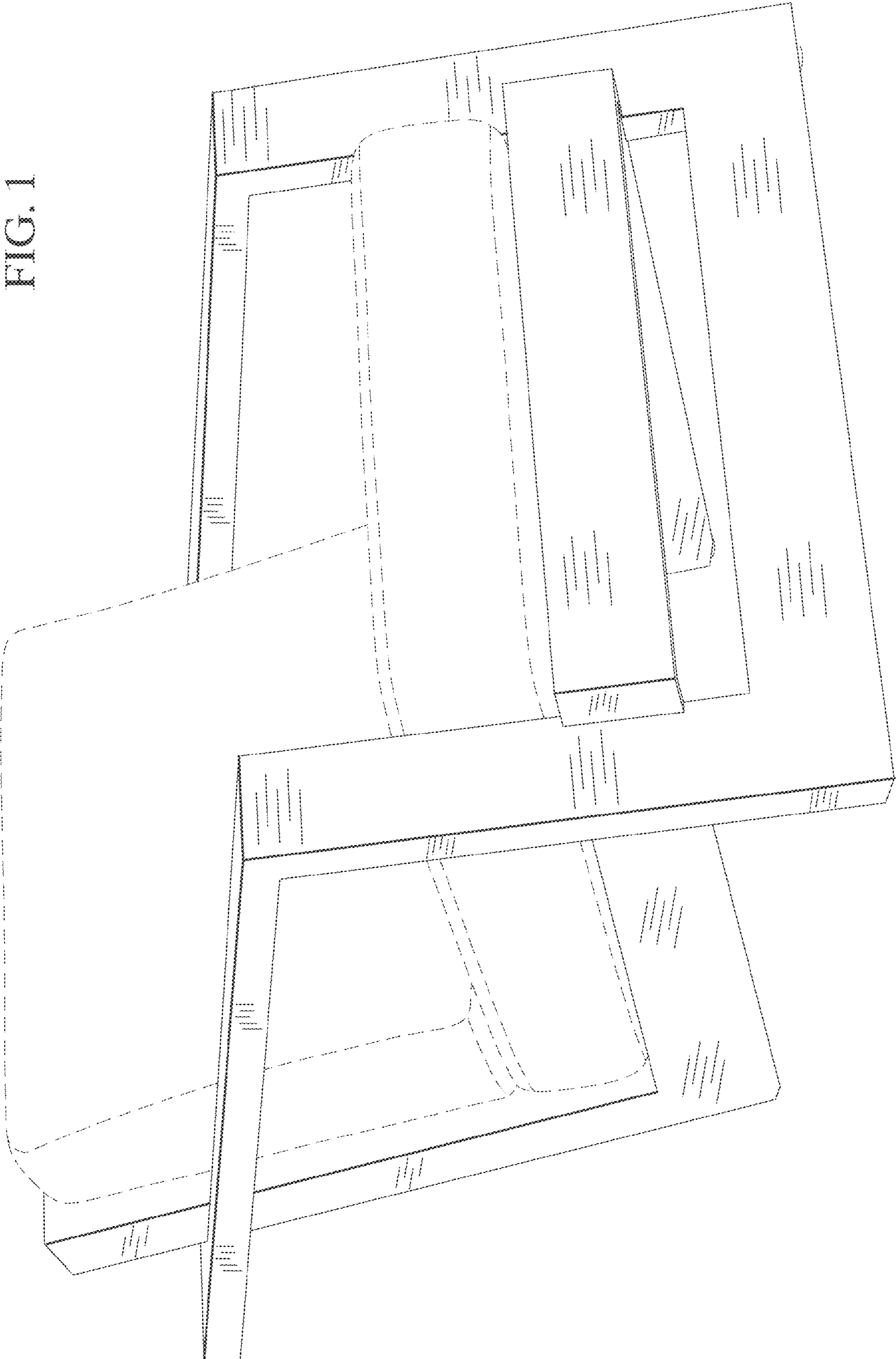


FIG. 2

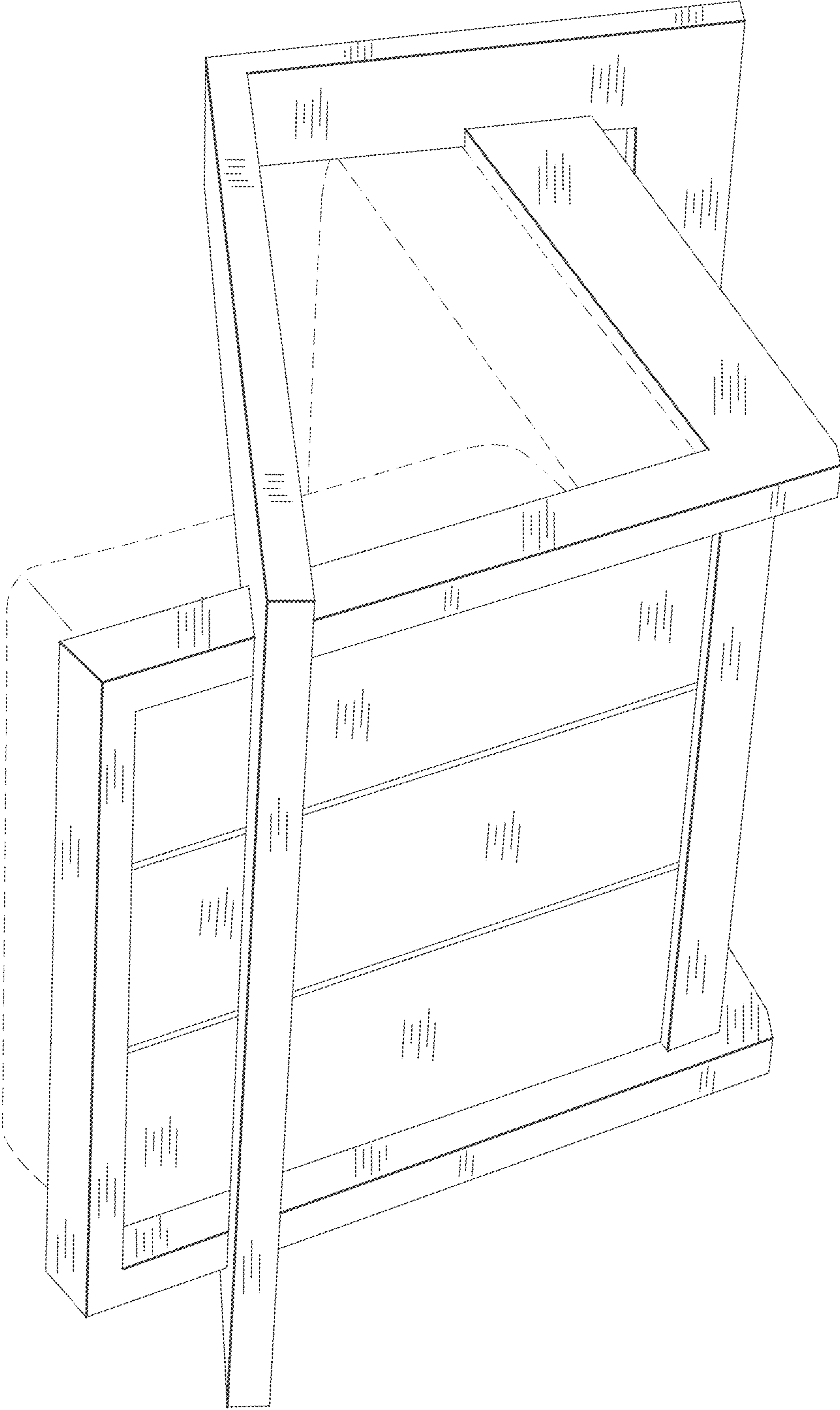


FIG. 3

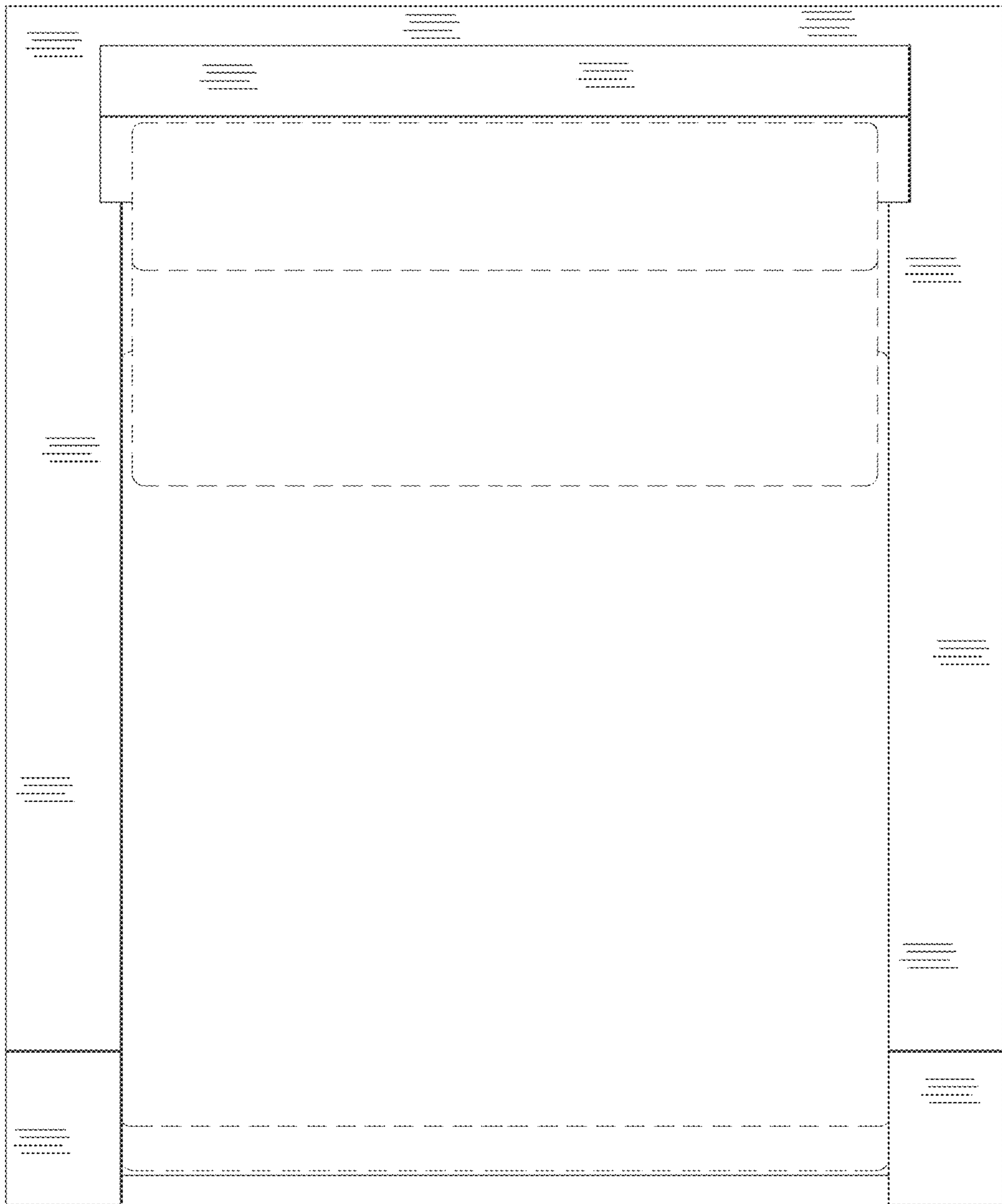


FIG. 4

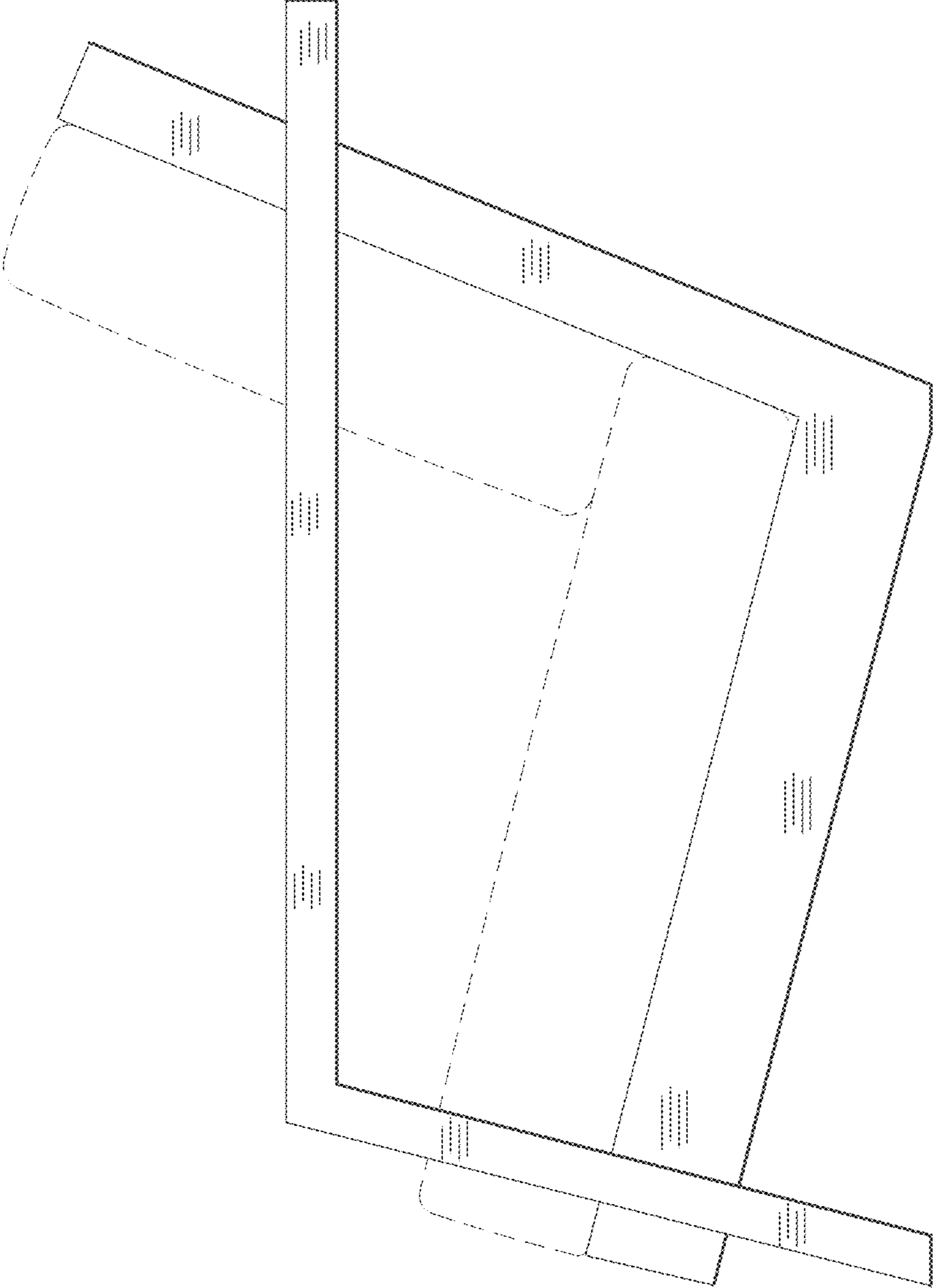


FIG. 5

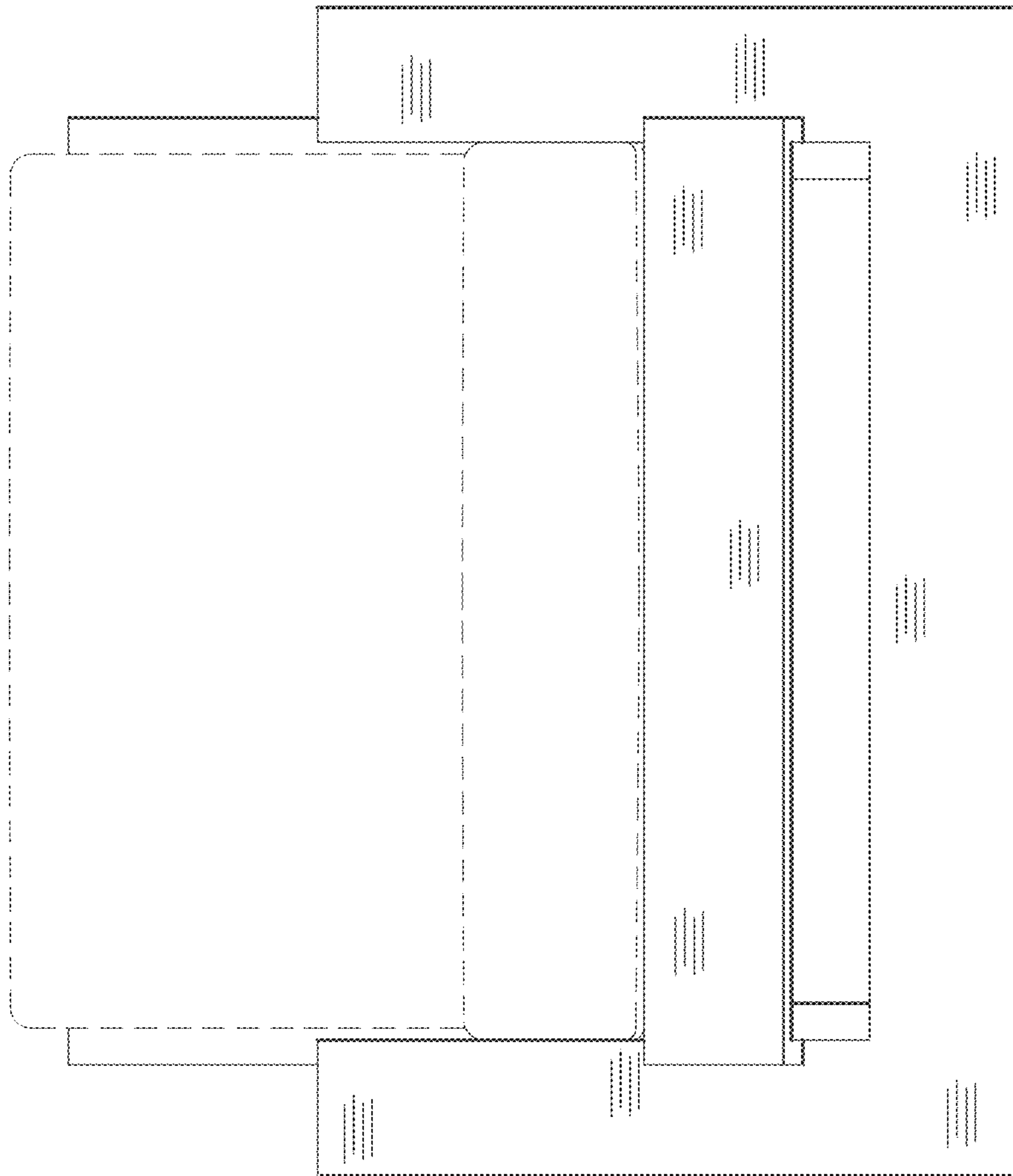


FIG. 6

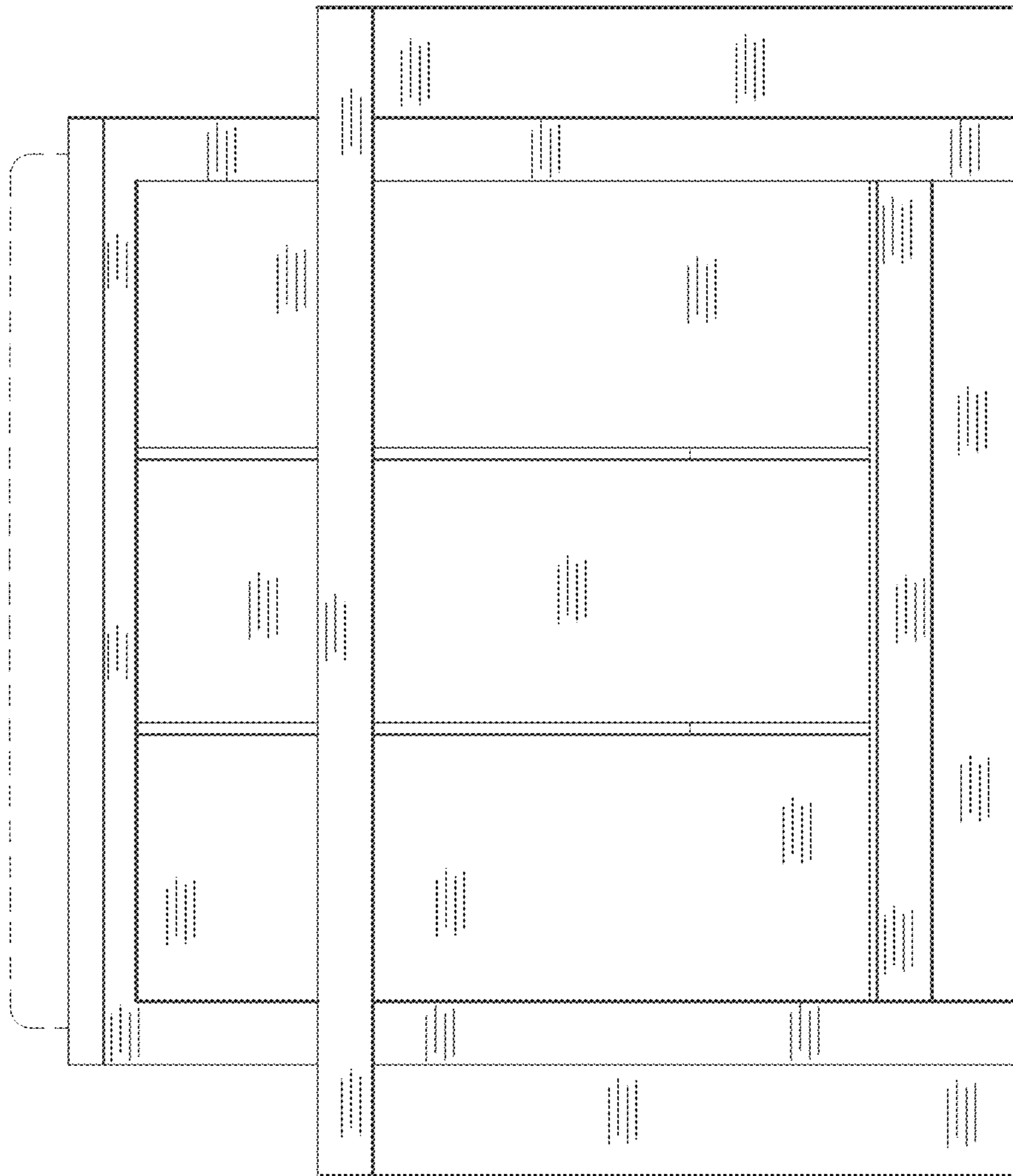


FIG. 7

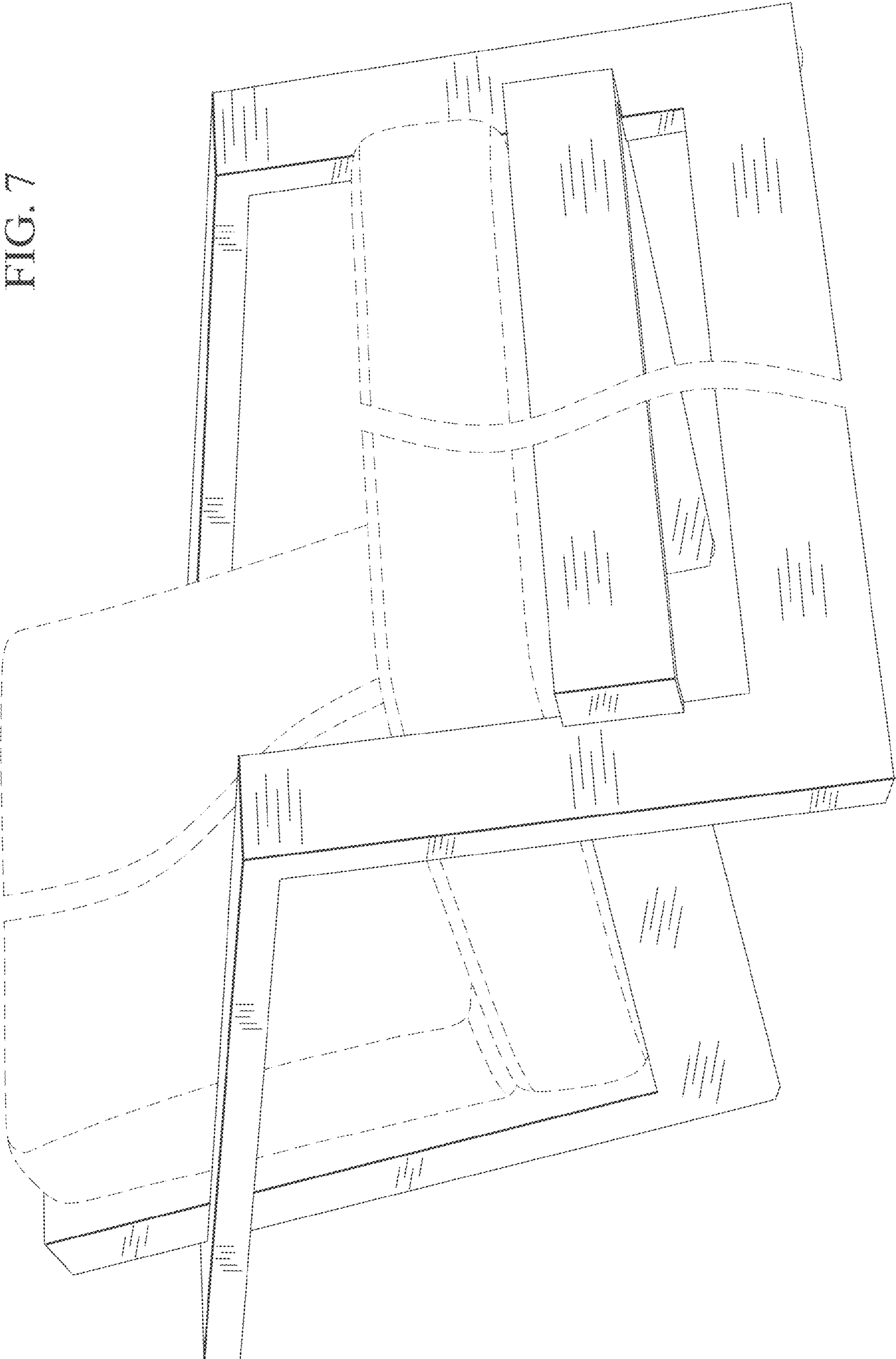


FIG. 8

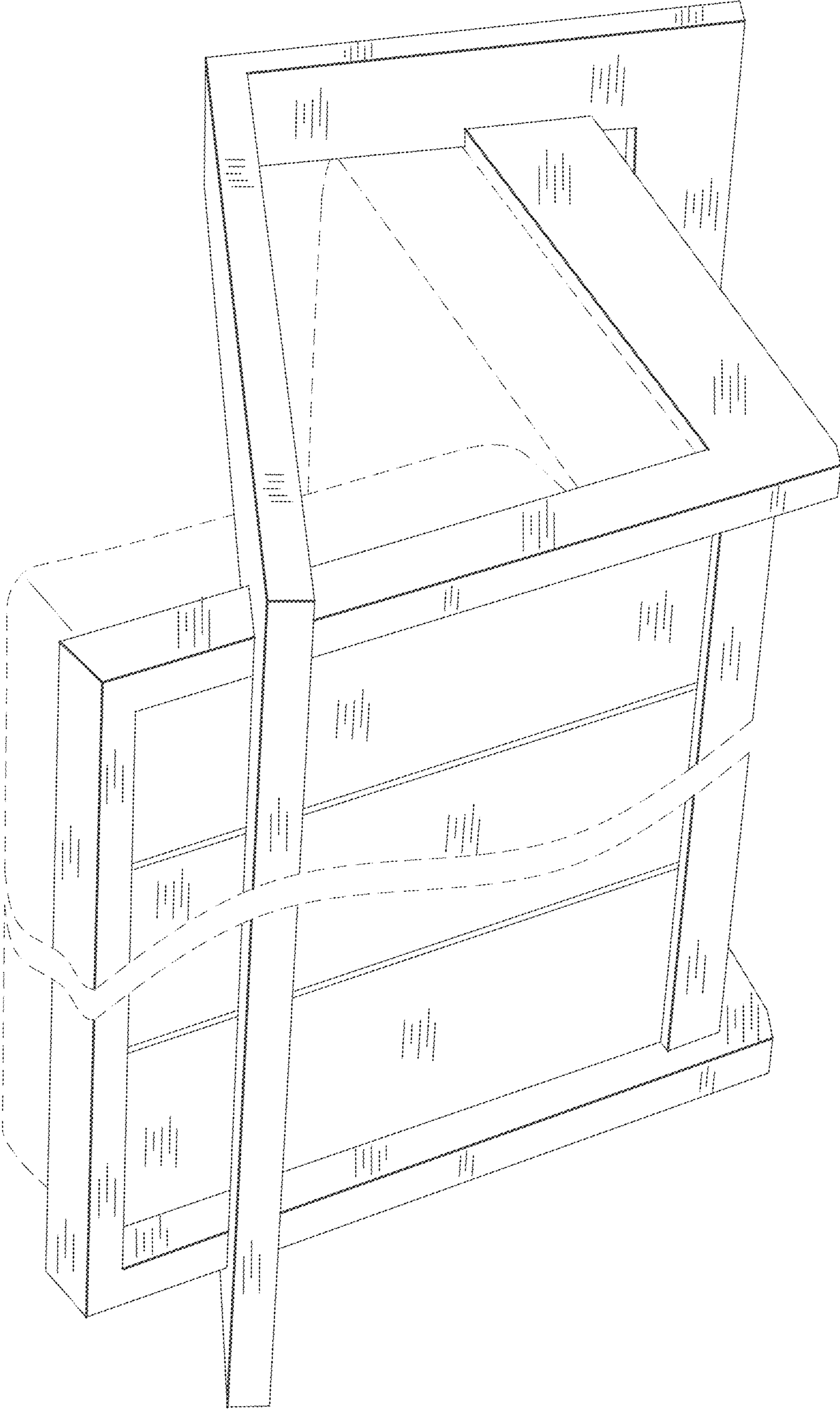


FIG. 9

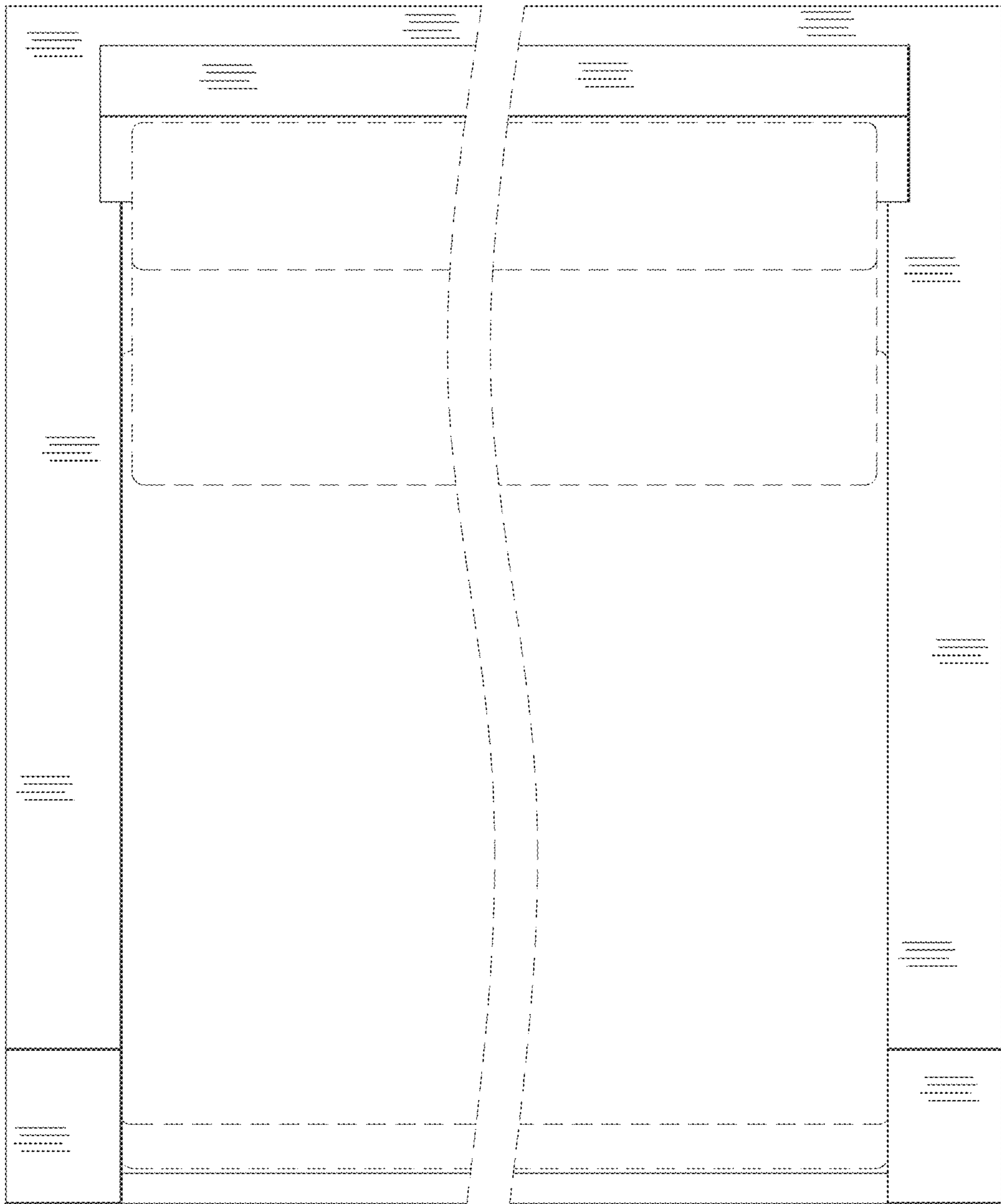


FIG. 10

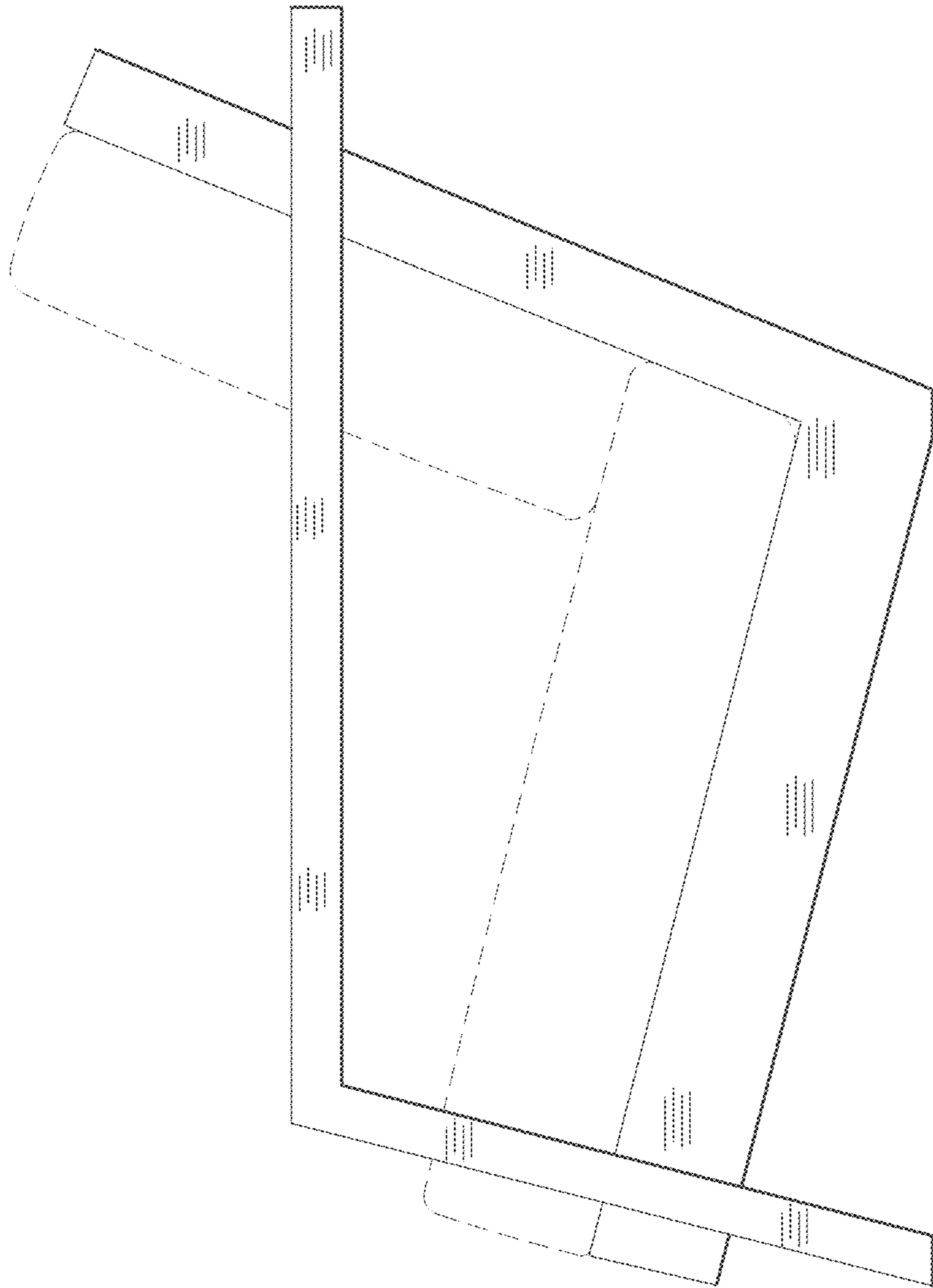


FIG. 11

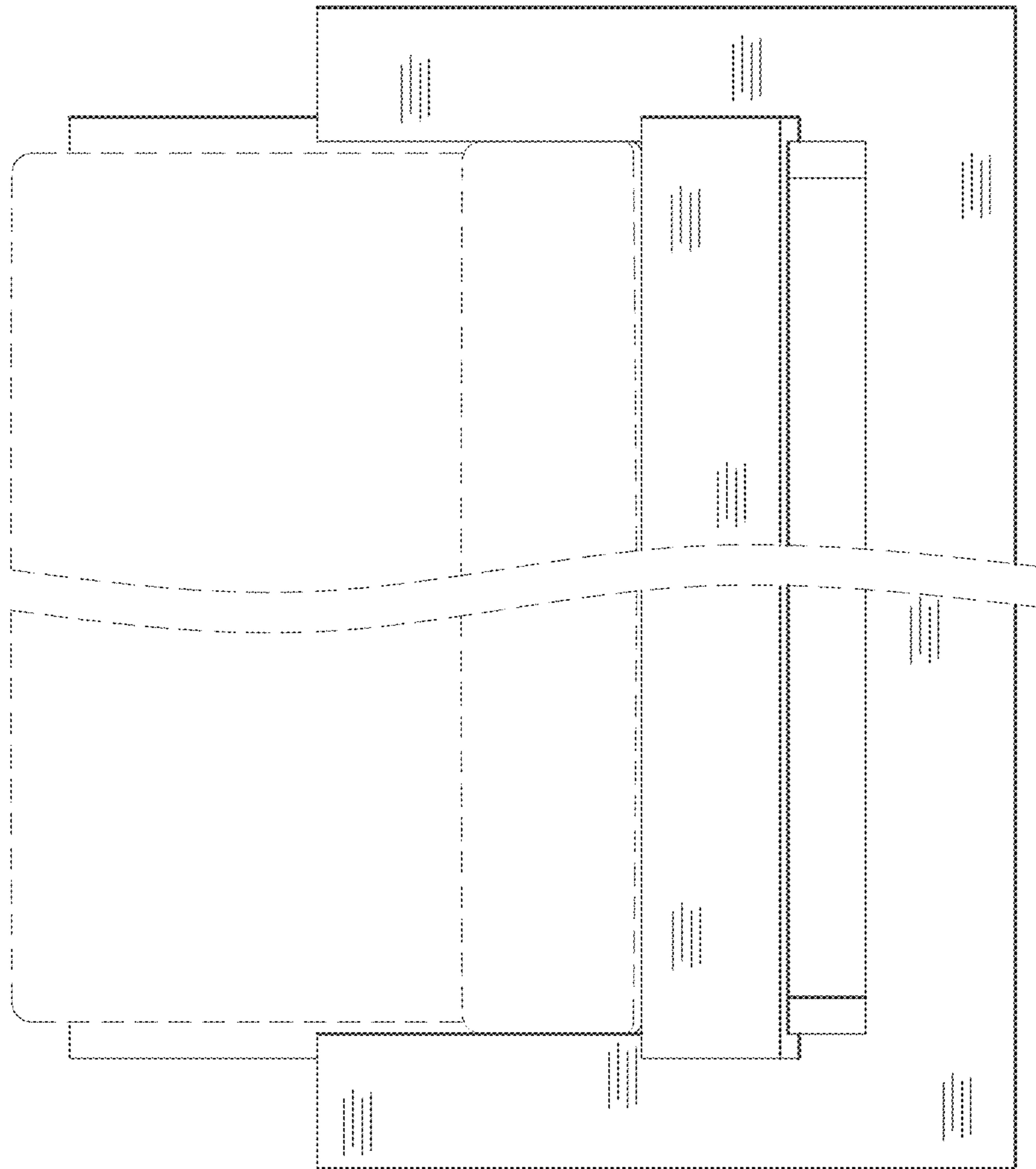


FIG. 12

