



US00D969509S

(12) **United States Design Patent**
Welling

(10) **Patent No.:** **US D969,509 S**

(45) **Date of Patent:** **** Nov. 15, 2022**

(54) **CHAIR**

(71) Applicant: **&Tradition A/S**, Copenhagen (DK)

(72) Inventor: **Jørgen Hee Welling**, Copenhagen (DK)

(73) Assignee: **&TRADITION A/S**, Copenhagen (DK)

(**) Term: **15 Years**

(21) Appl. No.: **29/762,183**

(22) Filed: **Dec. 15, 2020**

(51) **LOC (13) Cl.** **06-01**

(52) **U.S. Cl.**
USPC **D6/366**

(58) **Field of Classification Search**
USPC D6/334, 356, 366, 370, 380, 716, 716.4
CPC A47C 3/00; A47C 3/18; A47C 3/20; A47C
1/00; A47C 1/022; A47C 1/024; A47C
7/40; A47C 7/46; A47C 7/18; A47C 5/14
See application file for complete search history.

(56) **References Cited**

U.S. PATENT DOCUMENTS

D586,135 S *	2/2009	Lievore	D6/366
D864,641 S *	10/2019	Geelen	D6/716
D876,140 S *	2/2020	Peterson	D6/366
D904,779 S *	12/2020	Li	D6/366
D905,989 S *	12/2020	Li	D6/366
D911,729 S *	3/2021	Kubryk	D6/366
D912,422 S *	3/2021	Li	D6/366

D920,698 S *	6/2021	Li	D6/366
D922,789 S *	6/2021	Störiko	D6/366
D924,589 S *	7/2021	Li	D6/366
D931,669 S *	9/2021	Li	D6/366
D943,325 S *	2/2022	Bhakta	D6/716

* cited by examiner

Primary Examiner — R. Johnson

(74) *Attorney, Agent, or Firm* — Cantor Colburn LLP

(57) **CLAIM**

I claim, the ornamental design for a chair, as shown and described.

DESCRIPTION

FIG. 1 is a front perspective view of a chair, showing a first embodiment of my new design;
 FIG. 2 is a right side view thereof, the opposite left side being a mirror image;
 FIG. 3 is a rear view thereof;
 FIG. 4 is a front view thereof;
 FIG. 5 is a top view thereof
 FIG. 6 is a front perspective showing a second embodiment of my new design;
 FIG. 7 is a right side view thereof, the opposite left side being a mirror image;
 FIG. 8 is a rear view thereof;
 FIG. 9 is a front view thereof; and,
 FIG. 10 is a top view thereof.
 Portions of the chair shown in broken lines form no part of the claimed design.

1 Claim, 10 Drawing Sheets

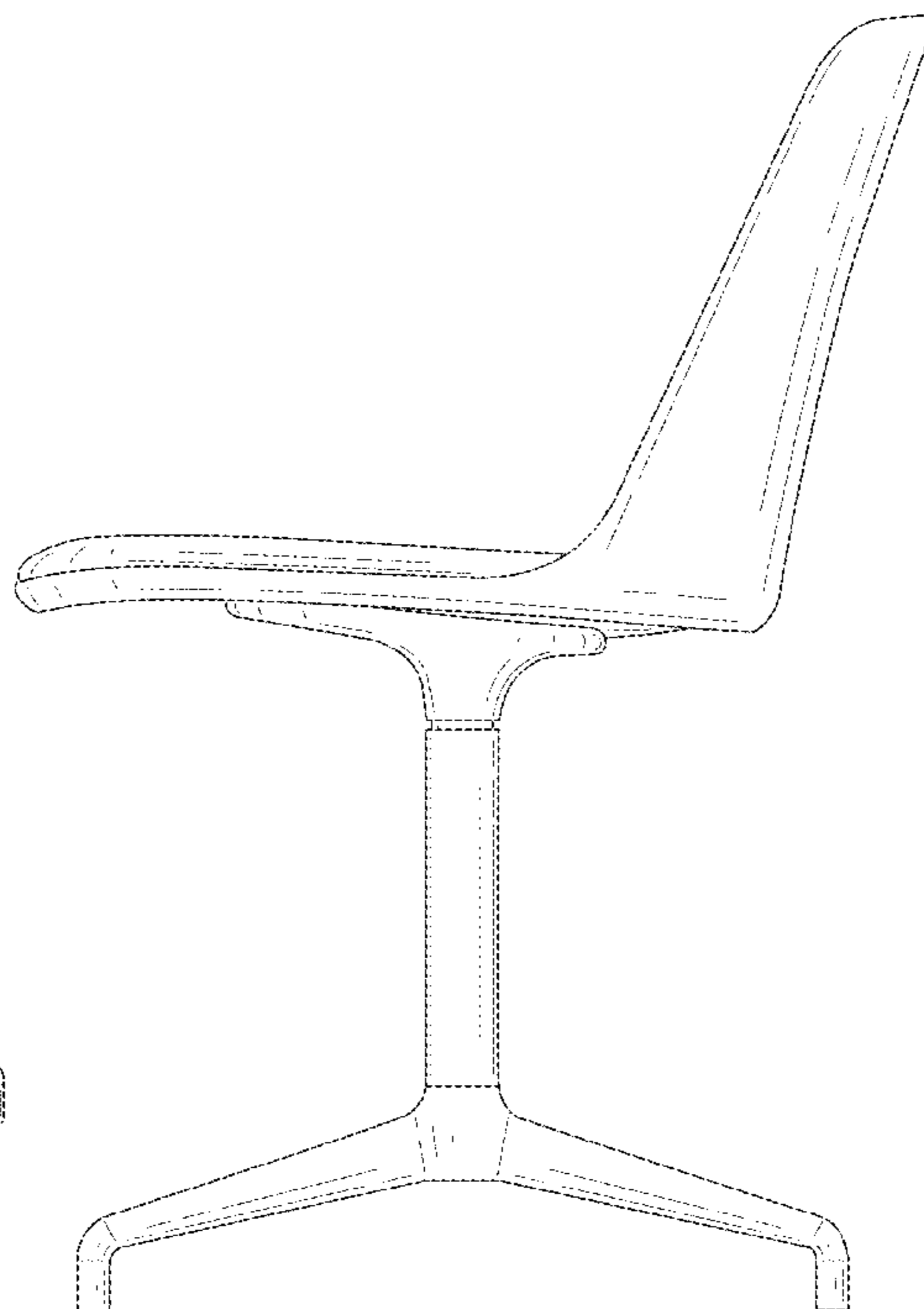




FIG. 1



FIG. 2

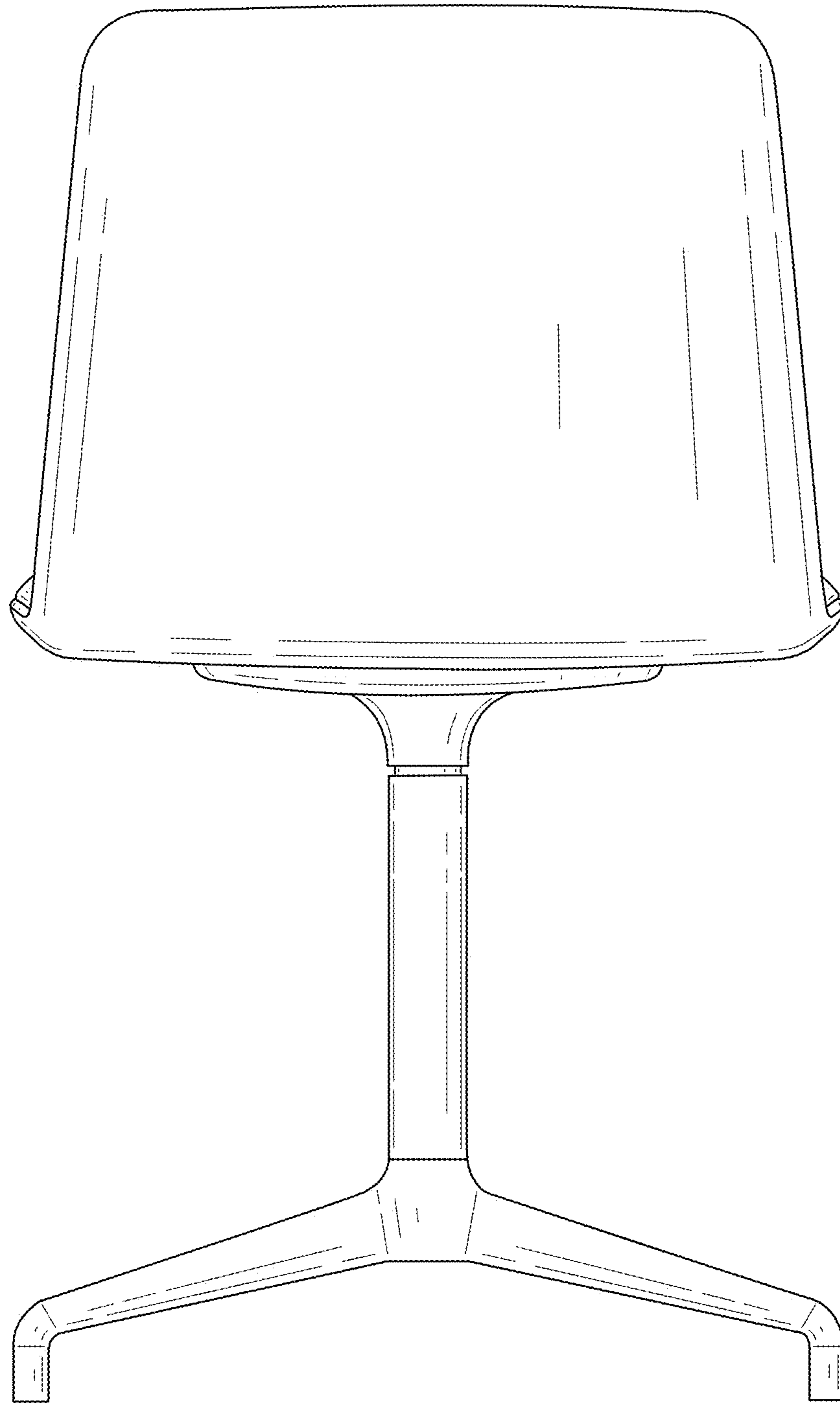


FIG. 3

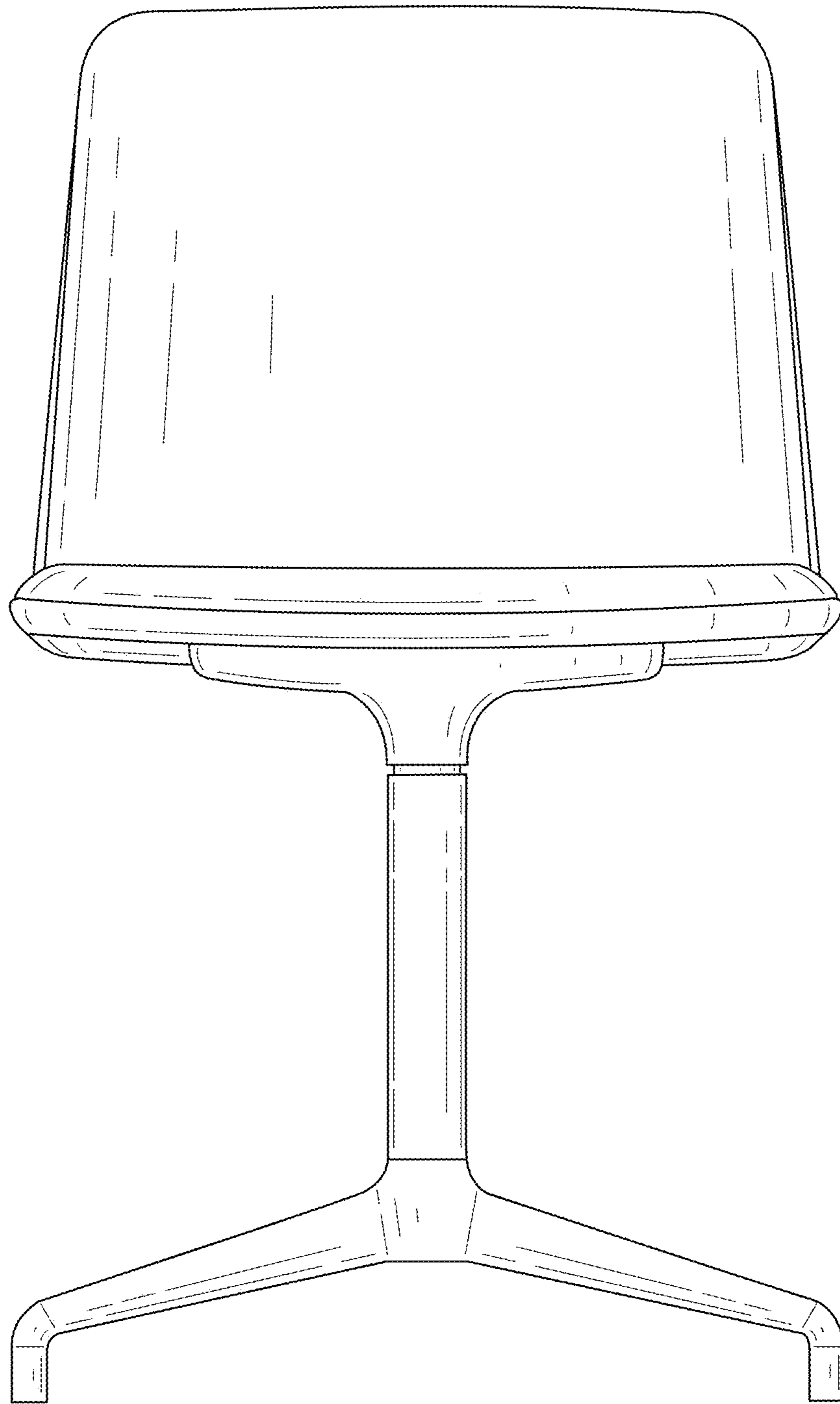


FIG. 4

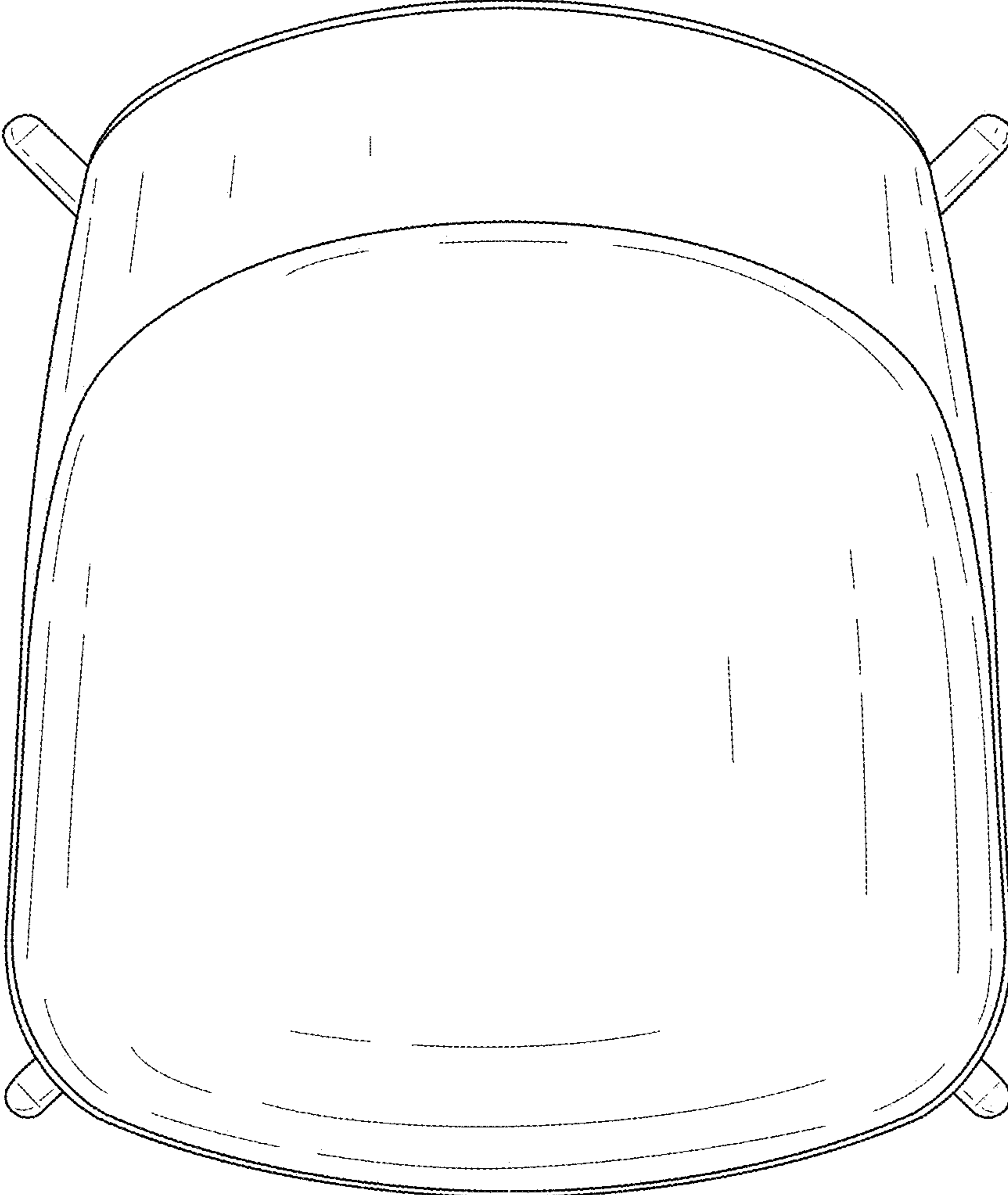


FIG. 5



FIG. 6



FIG. 7

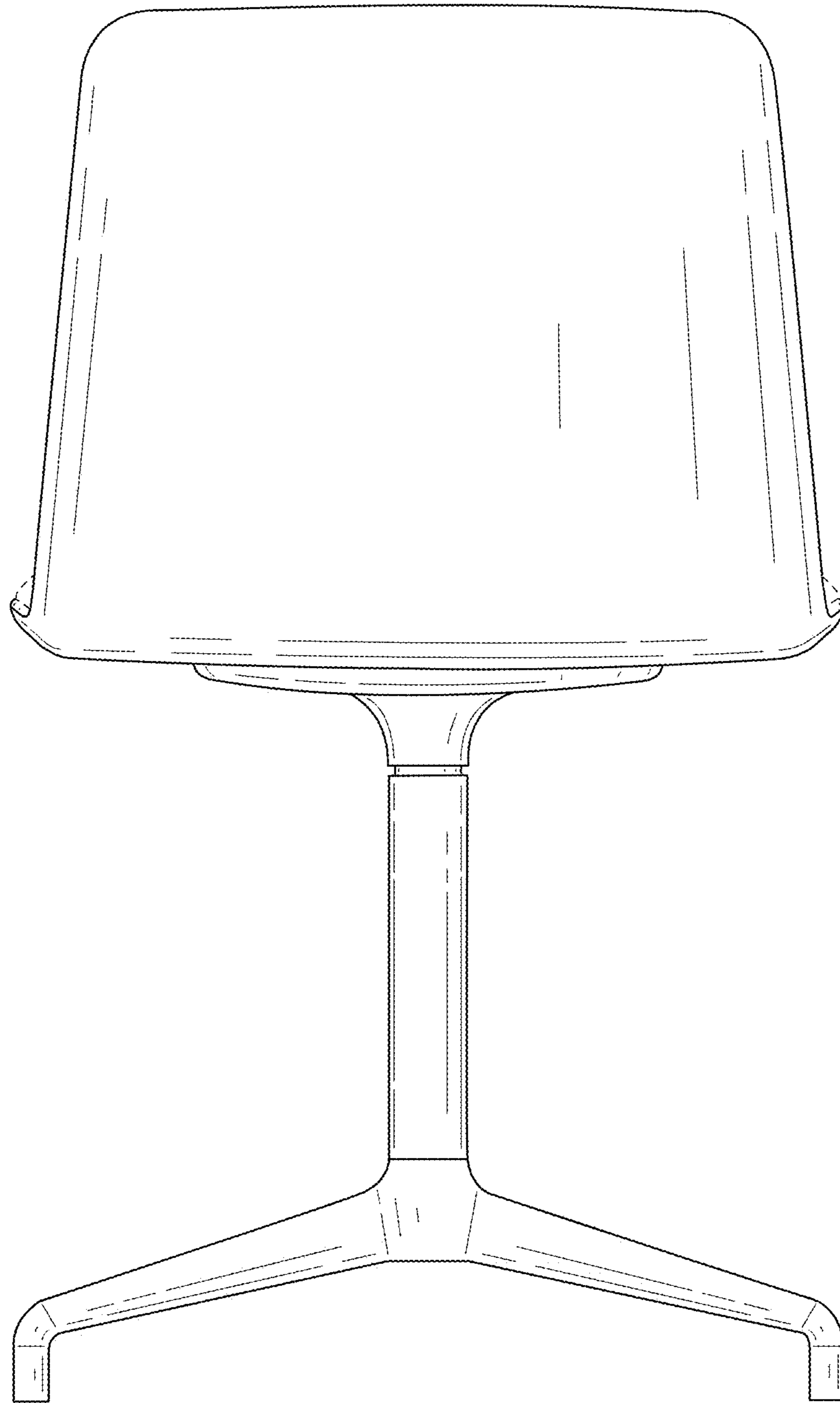


FIG. 8

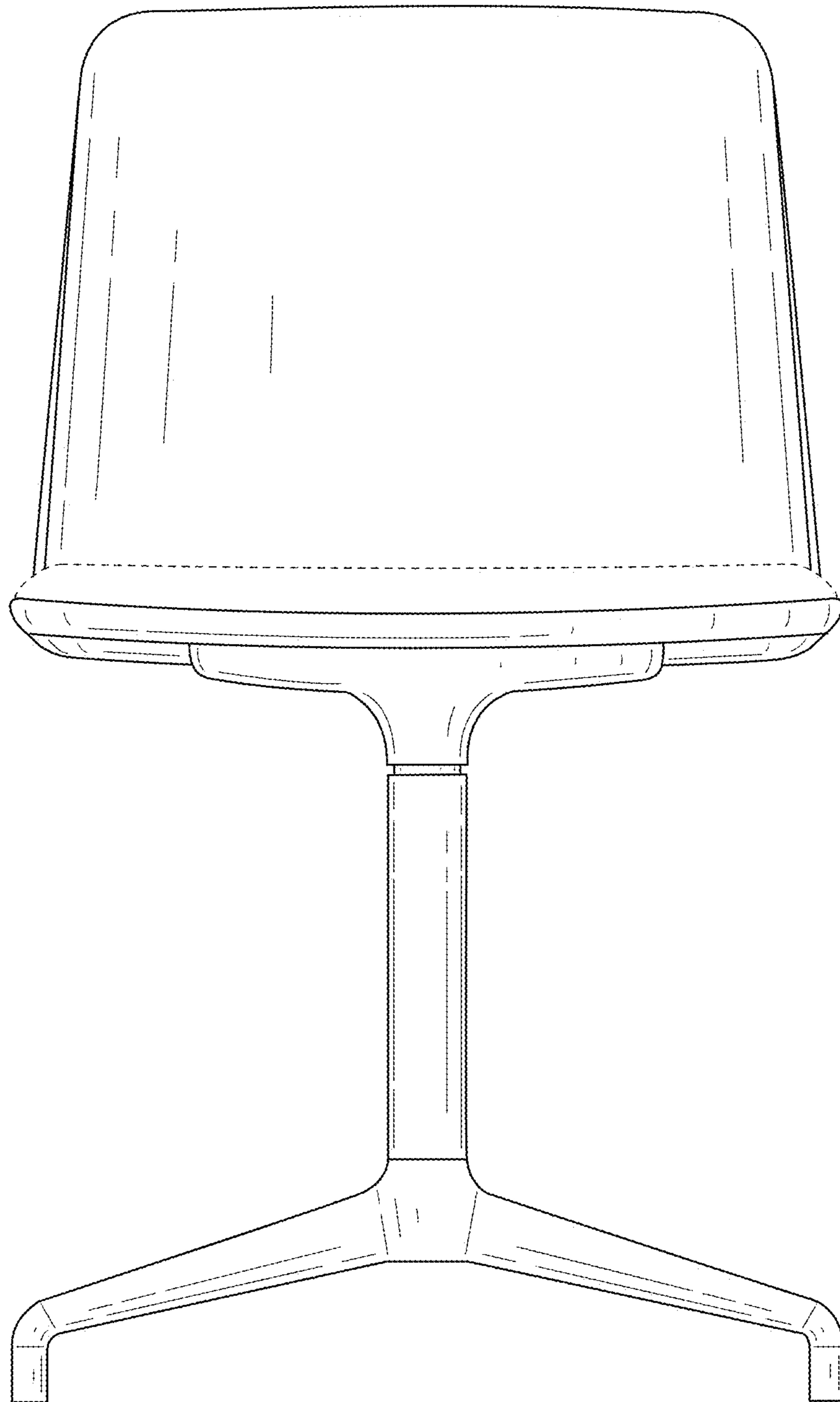


FIG. 9

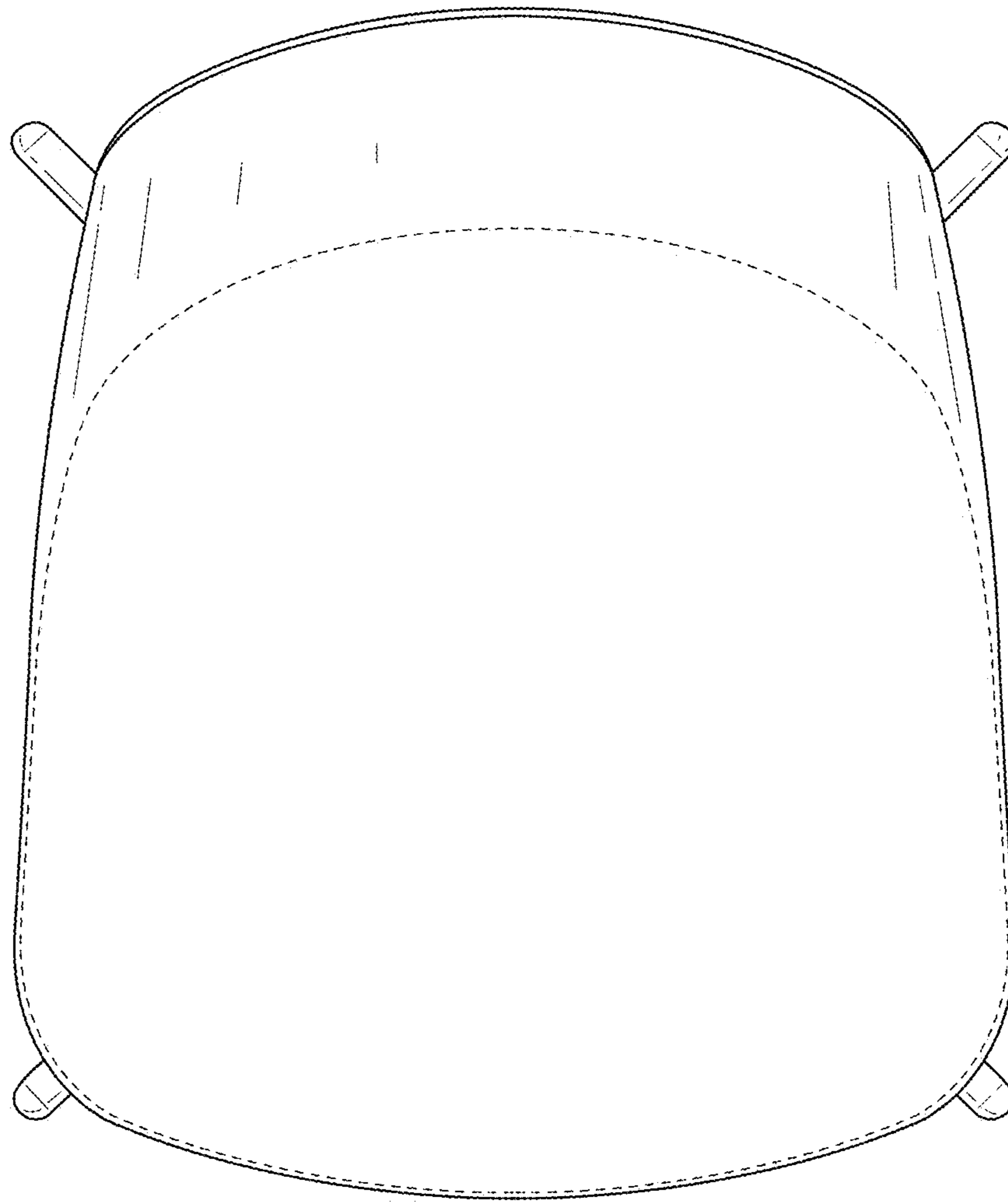


FIG. 10