

US00D969506S

(12) **United States Design Patent** (10) **Patent No.:** **US D969,506 S**
Huntley et al. (45) **Date of Patent:** **** Nov. 15, 2022**

(54) **CHILD CHAIR**

(56) **References Cited**

(71) Applicant: **Wonderland Switzerland AG,**
Steinhausen (CH)
(72) Inventors: **John E. Huntley,** Philadelphia, PA
(US); **Jonathan M. Pacella,** Gap, PA
(US)
(73) Assignee: **WONDERLAND SWITZERLAND**
AG, Steinhausen (CH)

U.S. PATENT DOCUMENTS

D386,911 S	*	12/1997	Perego	D6/339
D679,915 S	*	4/2013	Sturmey	D6/339
D699,955 S	*	2/2014	Chen	D6/339
D811,758 S	*	3/2018	Festa	D6/339
D839,616 S	*	2/2019	Yang	D6/339
D924,576 S	*	7/2021	Dorca Pujol	D6/339

* cited by examiner

(**) Term: **15 Years**

Primary Examiner — Abraham Bahta

(21) Appl. No.: **29/793,001**

(74) *Attorney, Agent, or Firm* — Bacon & Thomas, PLLC

(22) Filed: **Feb. 3, 2021**

(57) **CLAIM**

(51) **LOC (13) Cl.** **06-01**

The ornamental design for a child chair, as shown and described.

(52) **U.S. Cl.**
USPC **D6/339**

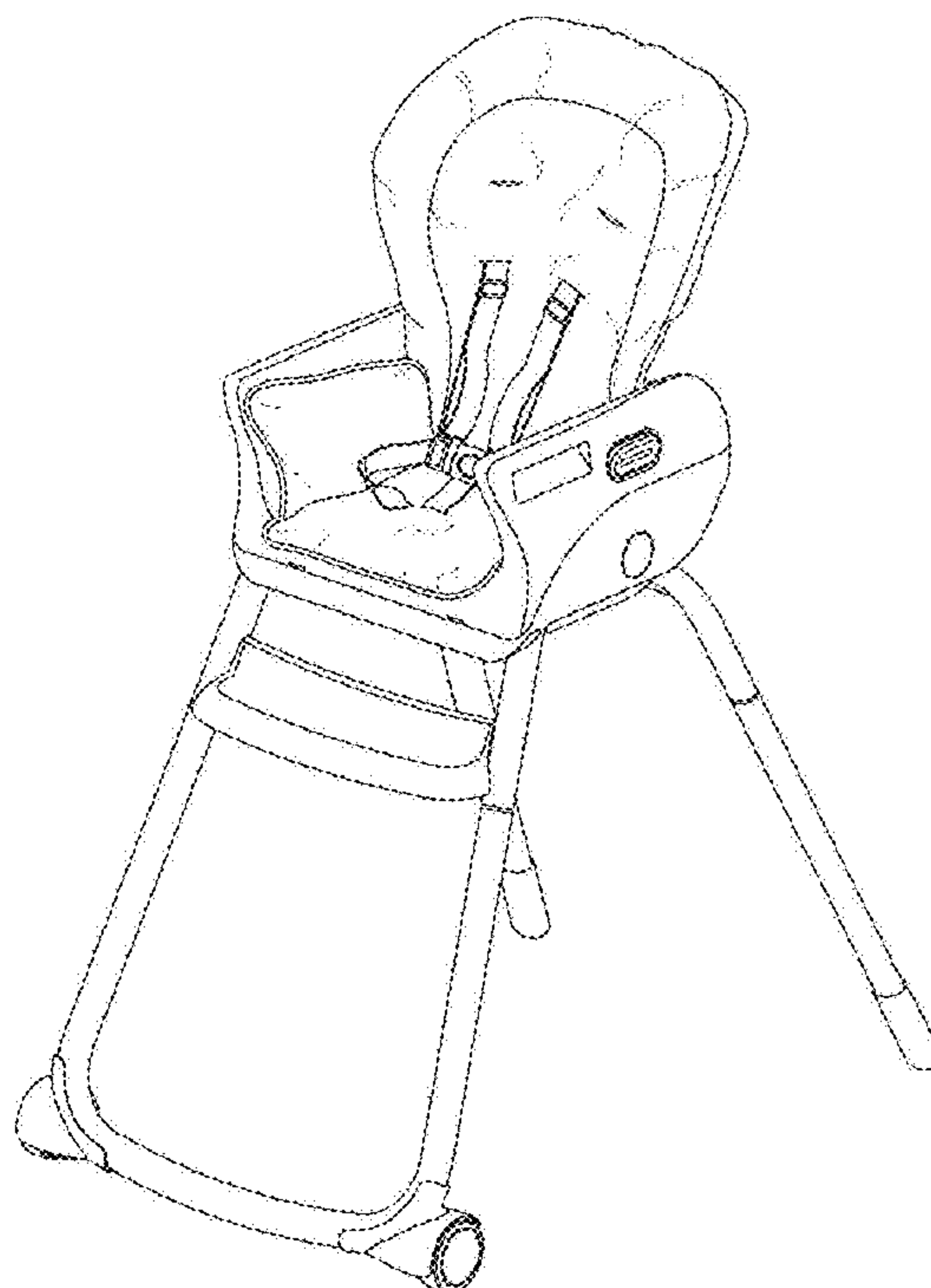
(58) **Field of Classification Search**
USPC D6/333–336, 339, 344, 702, 716,
D6/716.1–716.7; 297/183.1–183.4,
297/184.13, 184.15, 184.17, 250.1, 255,
297/256.1, 256.15, 219.12, 463.1;
D12/129–130, 133; D21/412, 428, 419;
280/30–31; 5/94, 98.1, 99.1, 101–102,
5/105, 655, 93.1, 12.1; 24/200
CPC A47D 13/02; A47D 13/10; A47D 13/083;
A47D 1/00; A47D 1/002; A47D 1/004;
A47D 1/008; A47D 1/04; B60N 2/22;
B60N 2/24; B60N 2/2821; B60N 2/02;
B60N 2/10; B60N 2/16; B60N
2002/0212; B60N 2002/0216; B60N
2002/022; A47C 3/00; A47C 3/02; A47C
3/025; A47C 3/20

DESCRIPTION

FIG. 1 is a perspective view of a child chair, showing our new design;
FIG. 2 is a front view of FIG. 1;
FIG. 3 is a rear view of FIG. 1;
FIG. 4 is a left side view of FIG. 1;
FIG. 5 is a right side view of FIG. 1;
FIG. 6 is a top view of FIG. 1;
FIG. 7 is a bottom view of FIG. 1; and,
FIG. 8 is a view showing the child chair shown in FIG. 1 in use.
The tray shown in broken lines viewed in FIG. 8 forms no part of the claimed design.

See application file for complete search history.

1 Claim, 8 Drawing Sheets



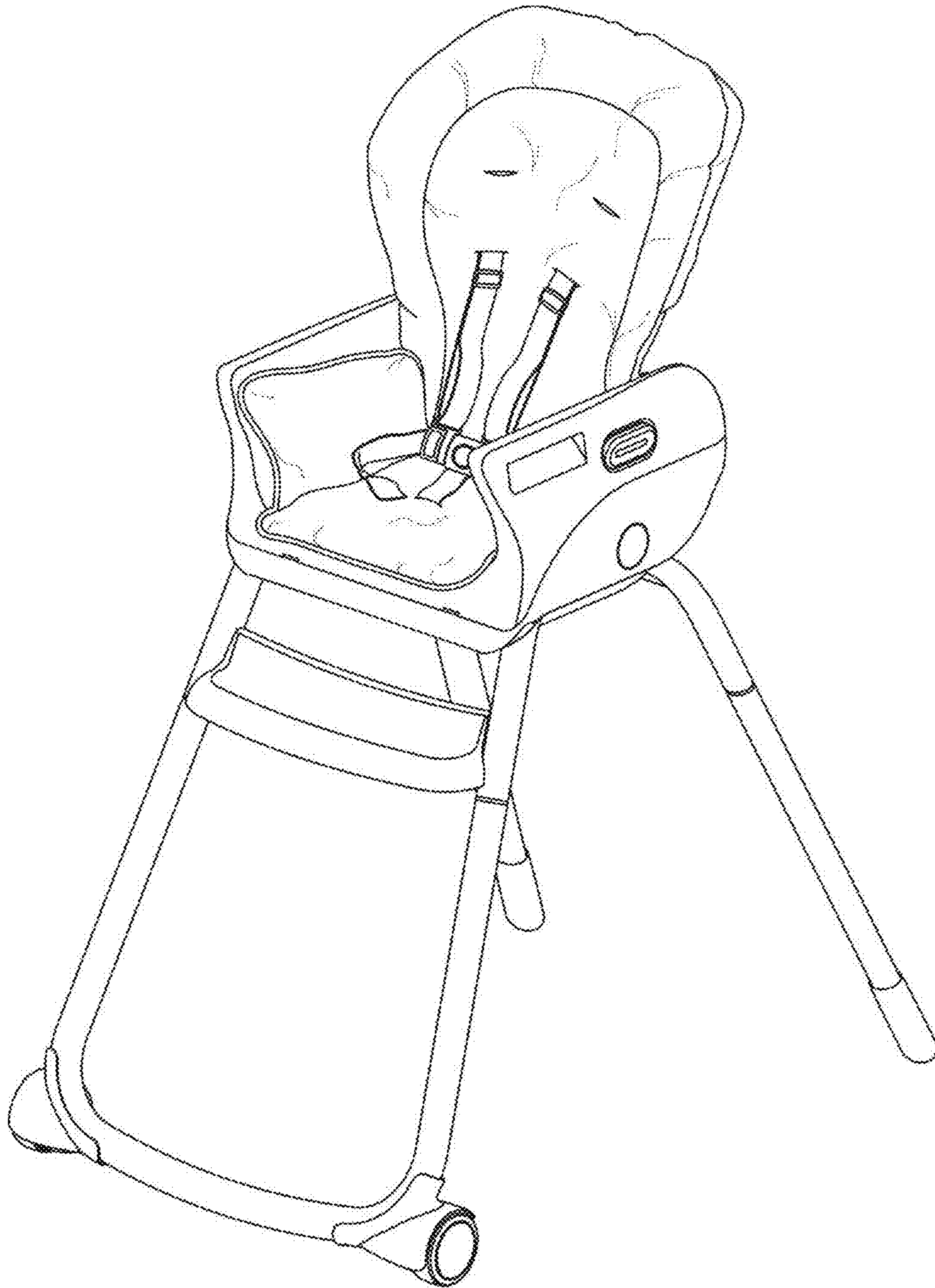


FIG. 1

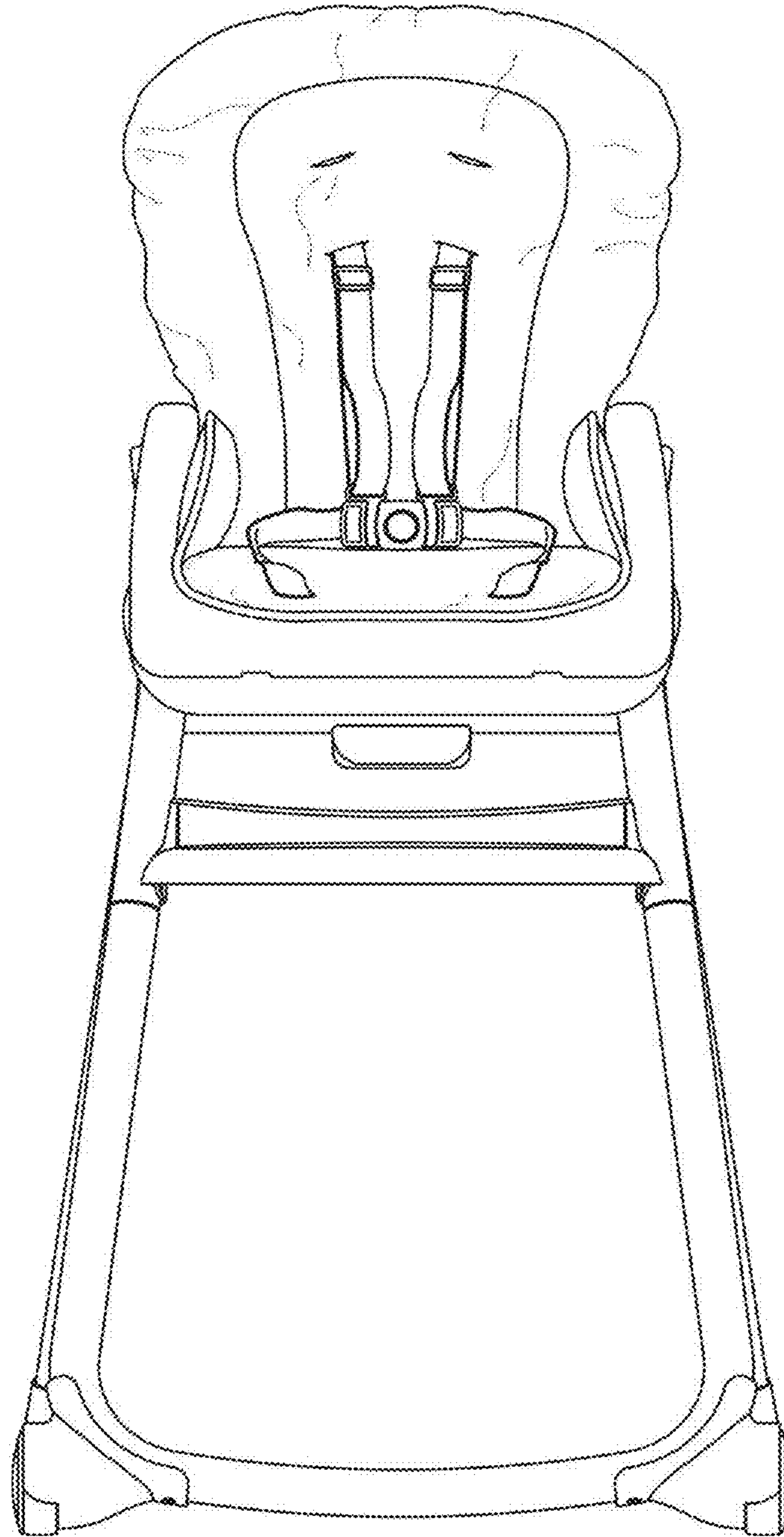


FIG. 2

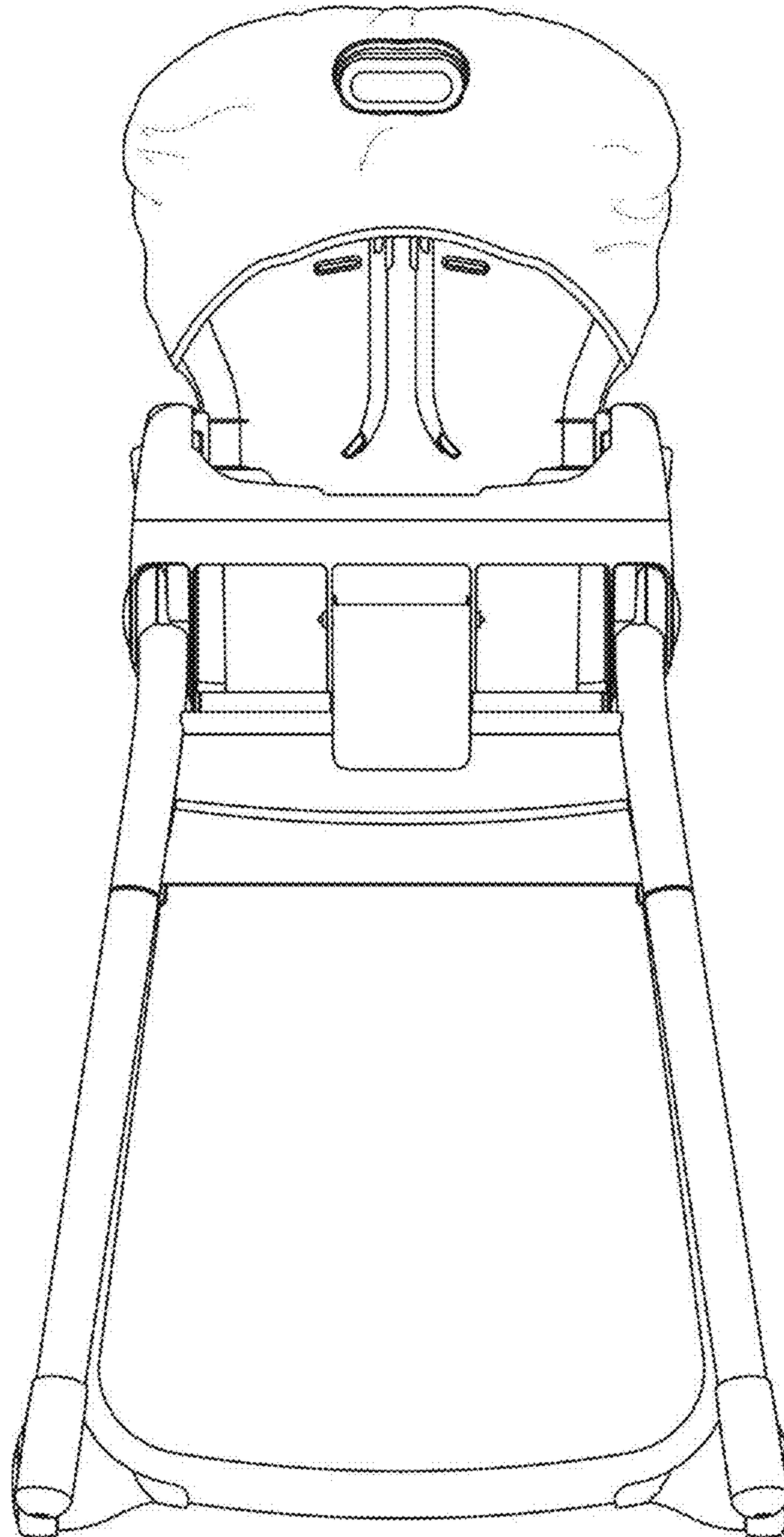


FIG. 3

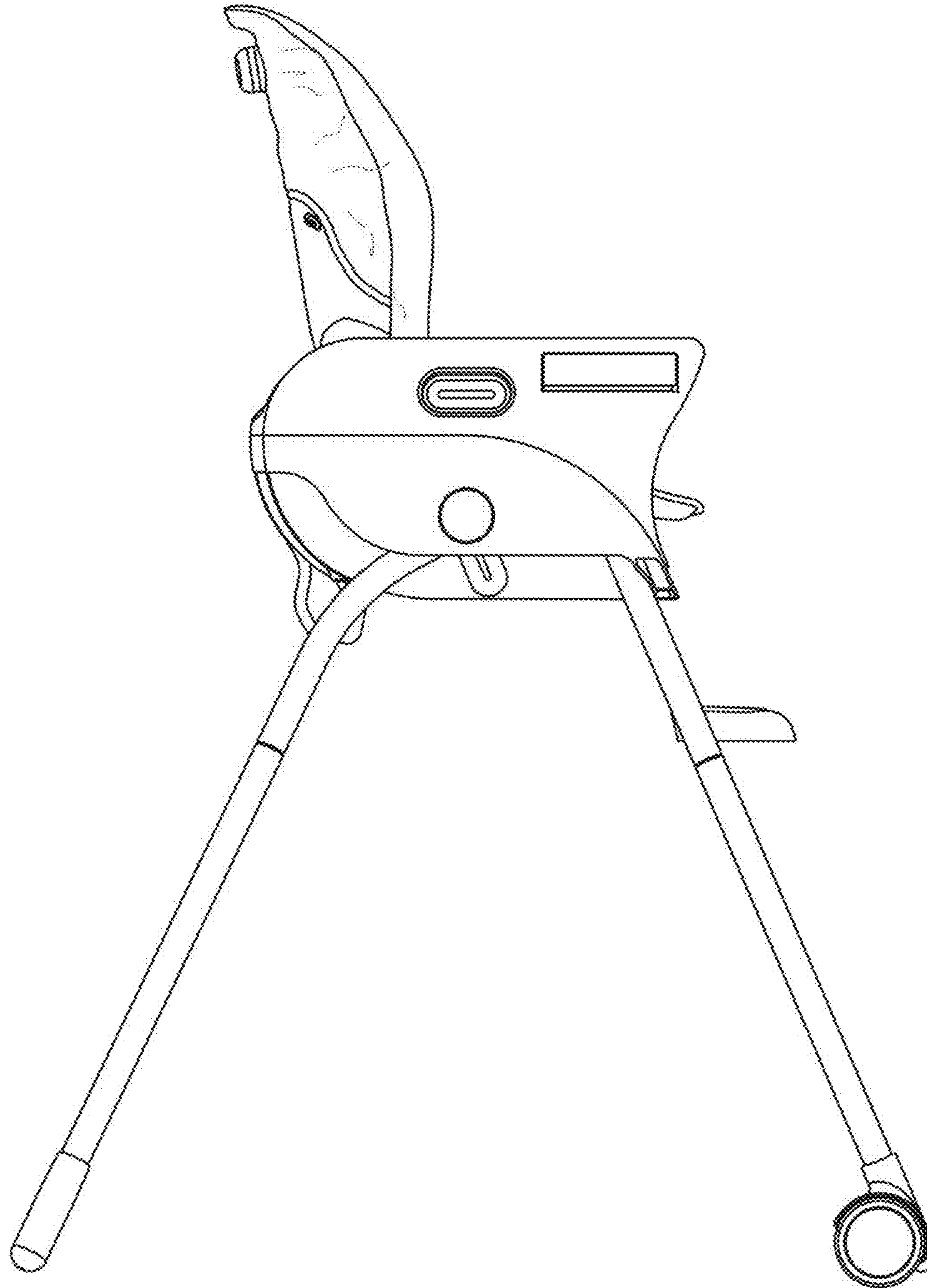


FIG. 4

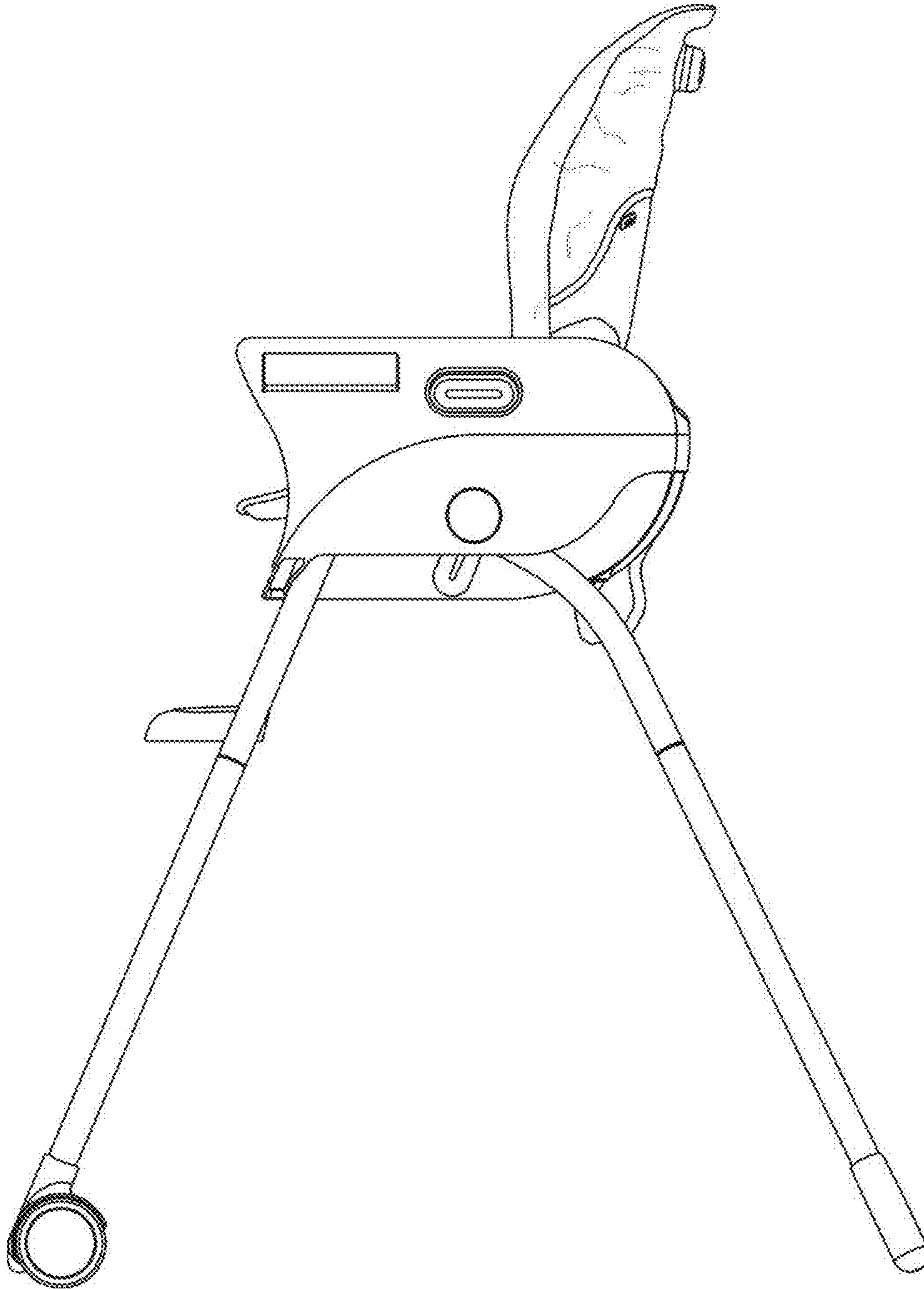


FIG. 5

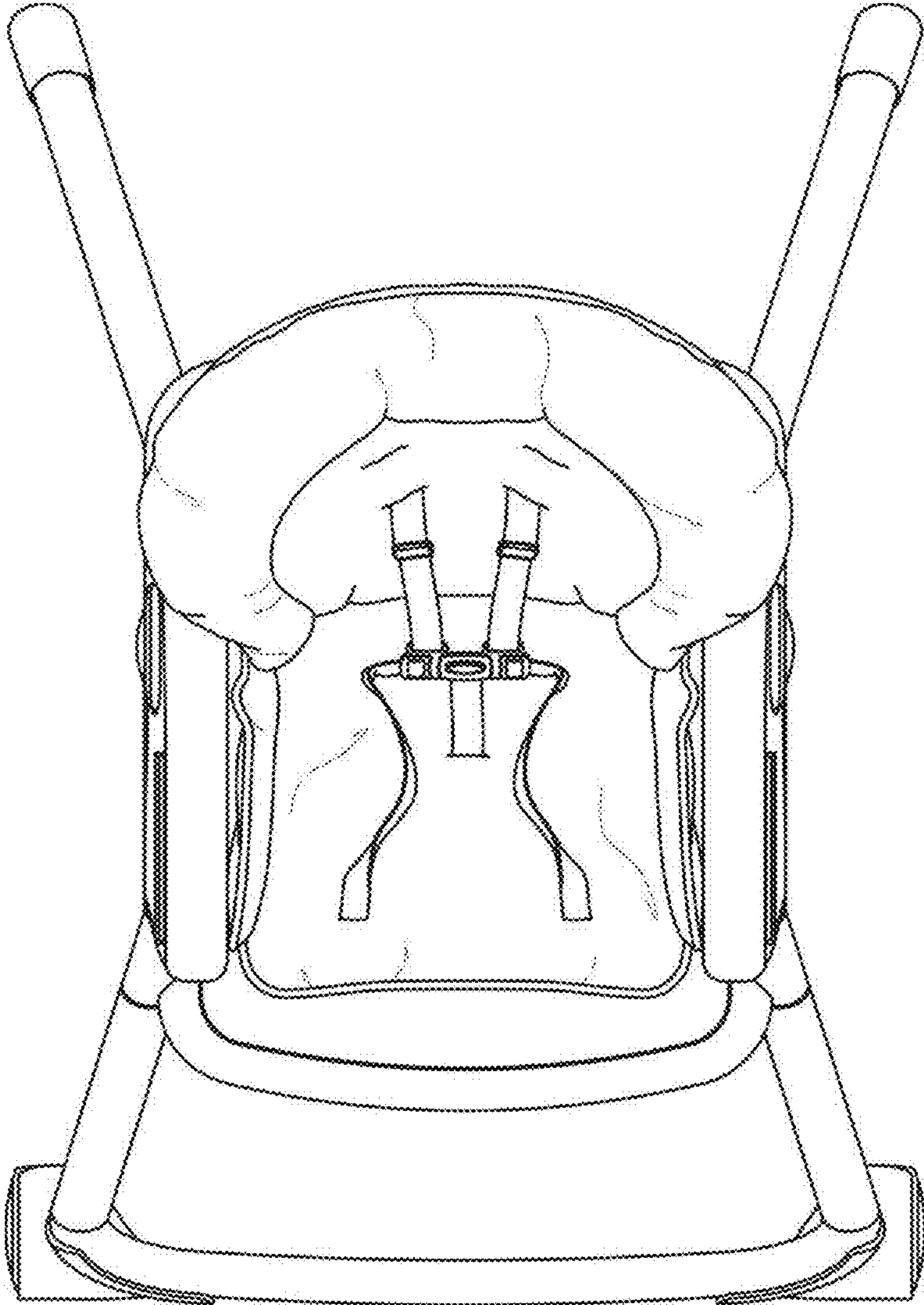


FIG. 6

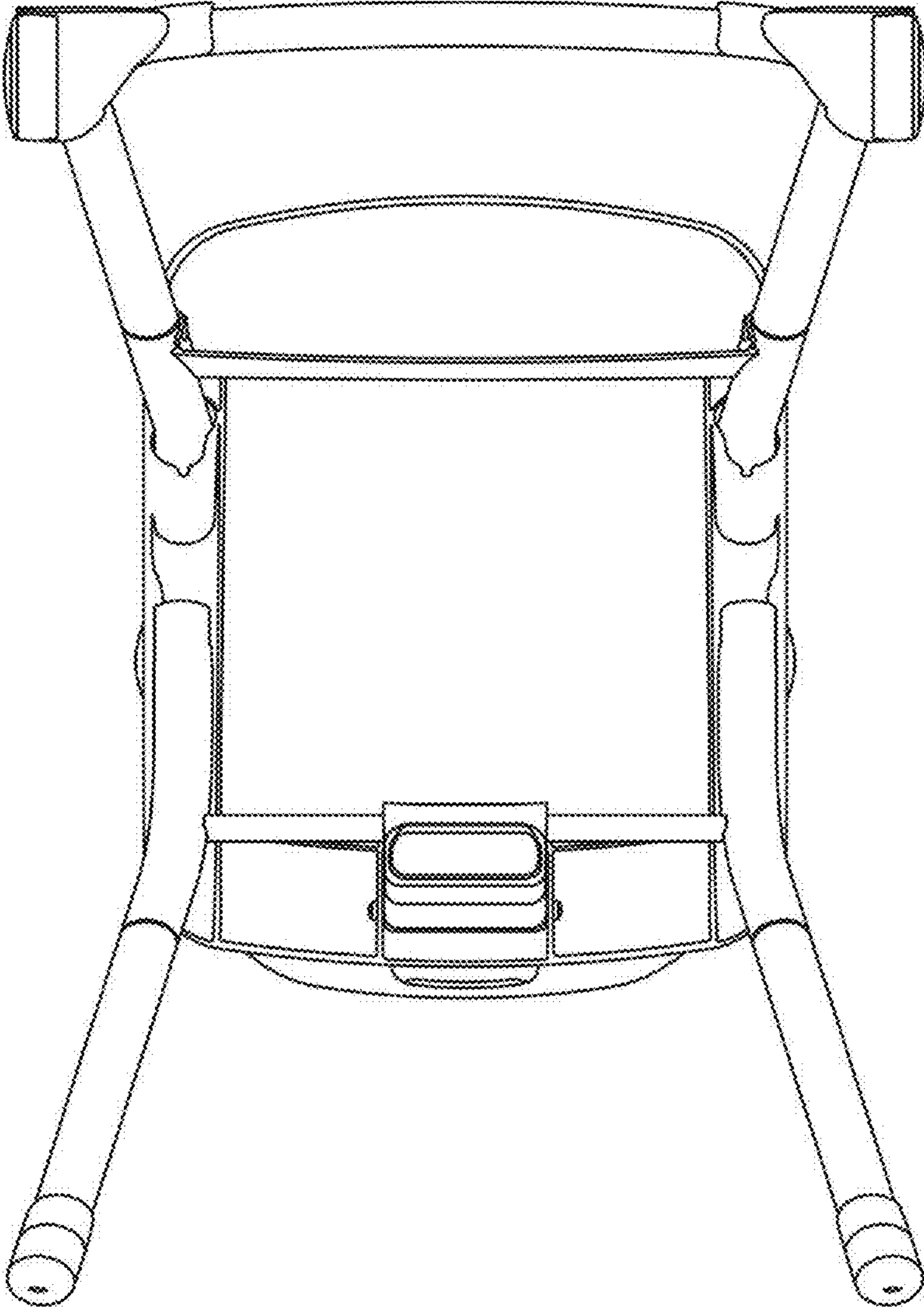


FIG. 7

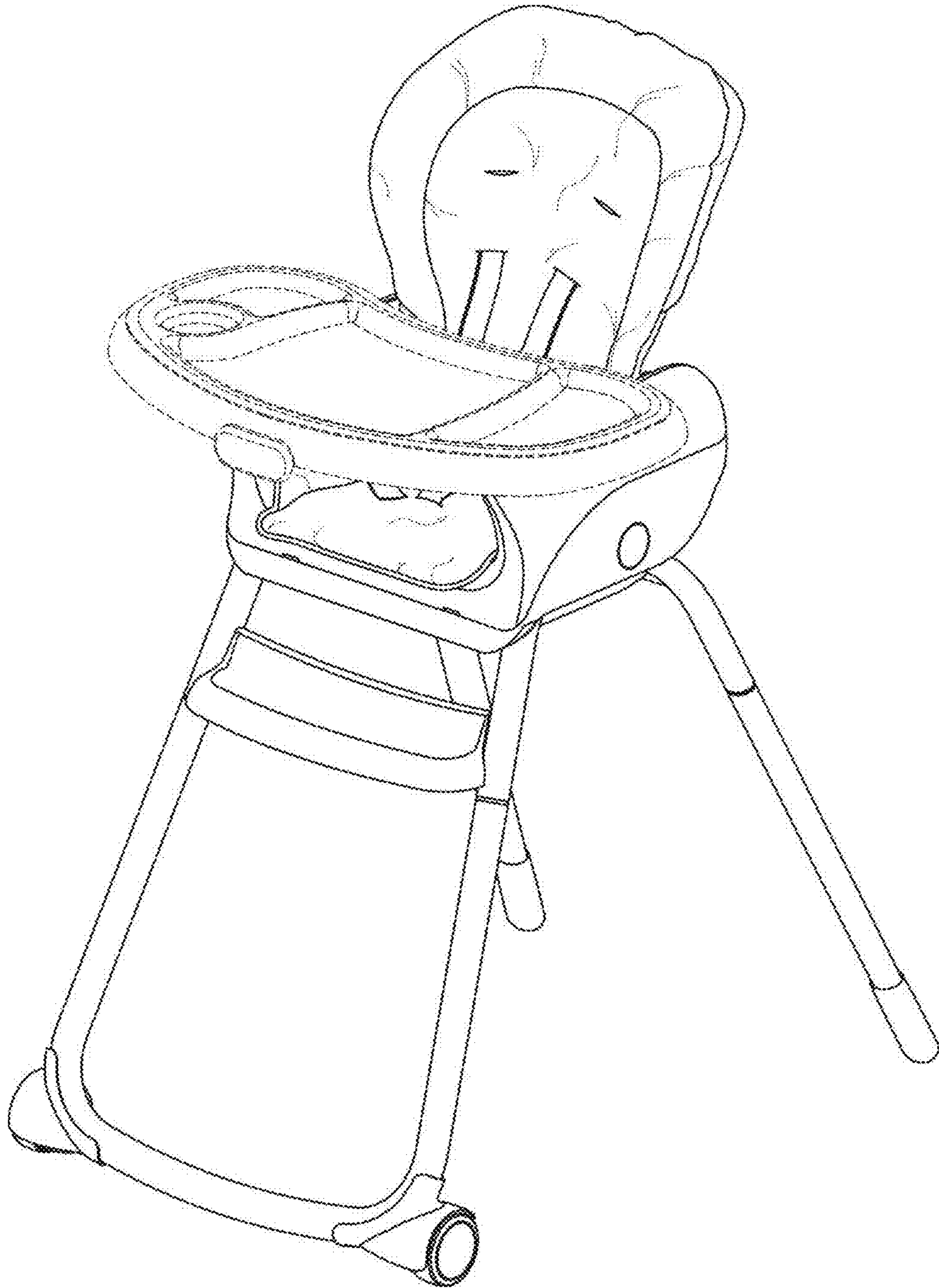


FIG. 8