



US00D969503S

(12) **United States Design Patent**  
**Bowers**

(10) **Patent No.:** **US D969,503 S**

(45) **Date of Patent:** **\*\* Nov. 15, 2022**

(54) **BASE FOR A CHILD SAFETY SEAT**

A47D 1/004; A47D 1/008; A47D 1/04;  
B62B 5/00; B62B 5/08

(71) Applicant: **Wonderland Switzerland AG,**  
Steinhausen (CH)

See application file for complete search history.

(72) Inventor: **Patrick J. G. Bowers,** West Chester,  
PA (US)

(56) **References Cited**

(73) Assignee: **WONDERLAND SWITZERLAND**  
**AG,** Steinhausen (CH)

U.S. PATENT DOCUMENTS

(\*\*) Term: **15 Years**

D555,402 S *	11/2007	Hou	.....	D6/708.19
D692,678 S *	11/2013	Williams	.....	D6/333
D724,852 S *	3/2015	Giampavolo	.....	D6/333
D841,991 S *	3/2019	Bowers	.....	D6/333
D951,663 S *	5/2022	Ning	.....	D6/333

(21) Appl. No.: **29/793,002**

\* cited by examiner

(22) Filed: **Feb. 3, 2021**

*Primary Examiner* — Abraham Bahta

(51) **LOC (13) Cl.** ..... **06-01**

(74) *Attorney, Agent, or Firm* — Bacon & Thomas, PLLC

(52) **U.S. Cl.**  
USPC ..... **D6/333**

(57) **CLAIM**

(58) **Field of Classification Search**

The ornamental design for a base for a child safety seat, as shown and described.

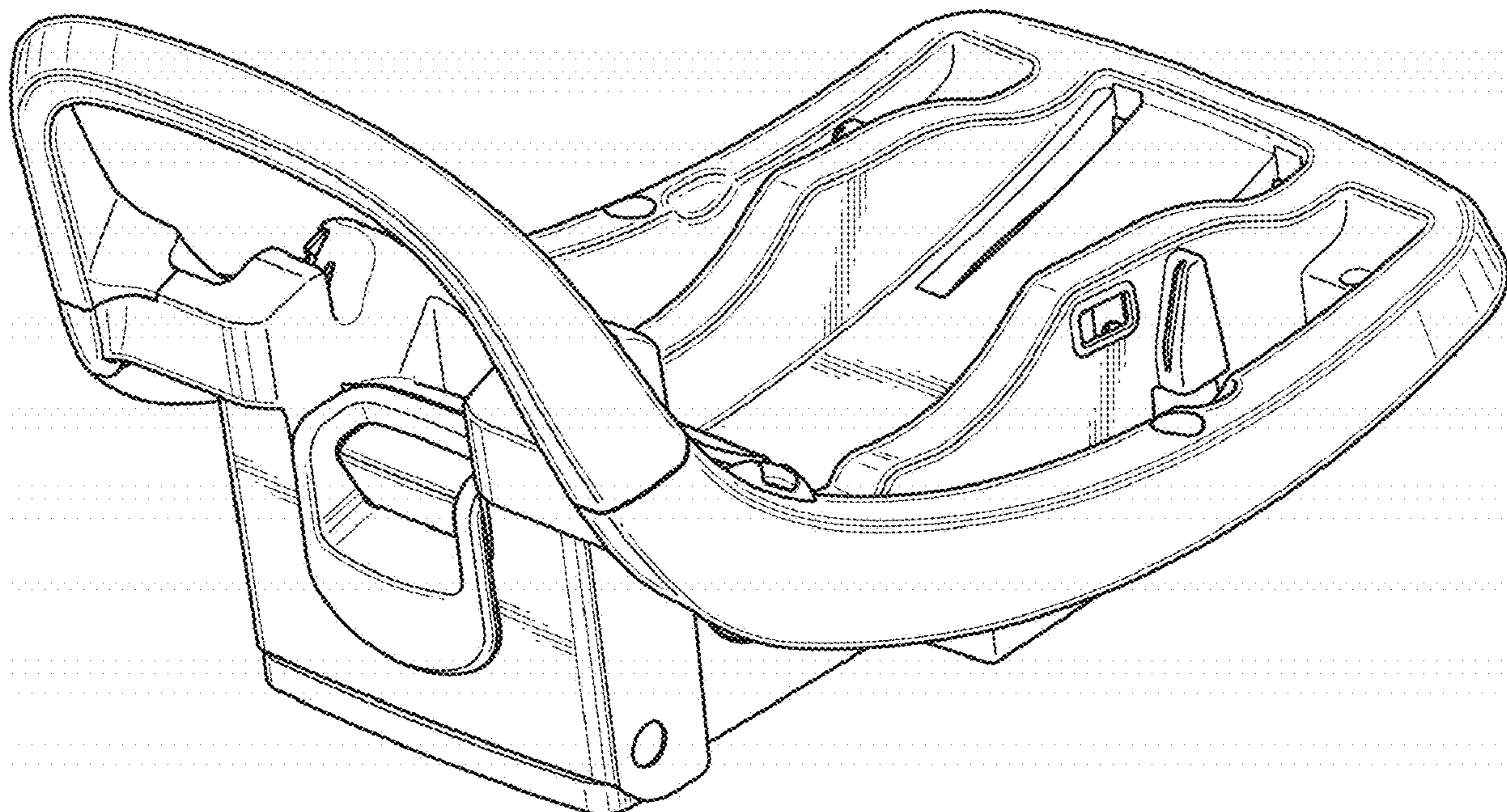
USPC ..... D6/334–336, 338–339, 491, 333, 716,  
D6/716.1–716.7; D12/129; D21/412,  
D21/419; 280/30–31; 5/94, 98.1, 99.1,  
5/101, 105, 655; 297/183.1–183.4,  
297/184.13, 184.15, 184.17, 250.1, 256.1,  
297/255, 256.15, 256.16, 174 R, 174 CS,  
297/170–173, 136, 148, 27, 61, 68;  
4/572.1

CPC ..... B60N 2/2821; B60N 2/02; B60N 2/10;  
B60N 2/16; B60N 2/22; B60N 2/26;  
B60N 2/24; B60N 2002/0212; B60N  
2002/0216; B60N 2002/022; A47D 13/02;  
A47D 13/083; A47D 1/00; A47D 1/002;

**DESCRIPTION**

FIG. 1 is a perspective view of a base for a child safety seat in accordance with my new design;  
FIG. 2 is a front view thereof;  
FIG. 3 is a rear view thereof;  
FIG. 4 is a left side view thereof;  
FIG. 5 is a right side view thereof;  
FIG. 6 is a top view thereof; and,  
FIG. 7 is a bottom view thereof.

**1 Claim, 5 Drawing Sheets**



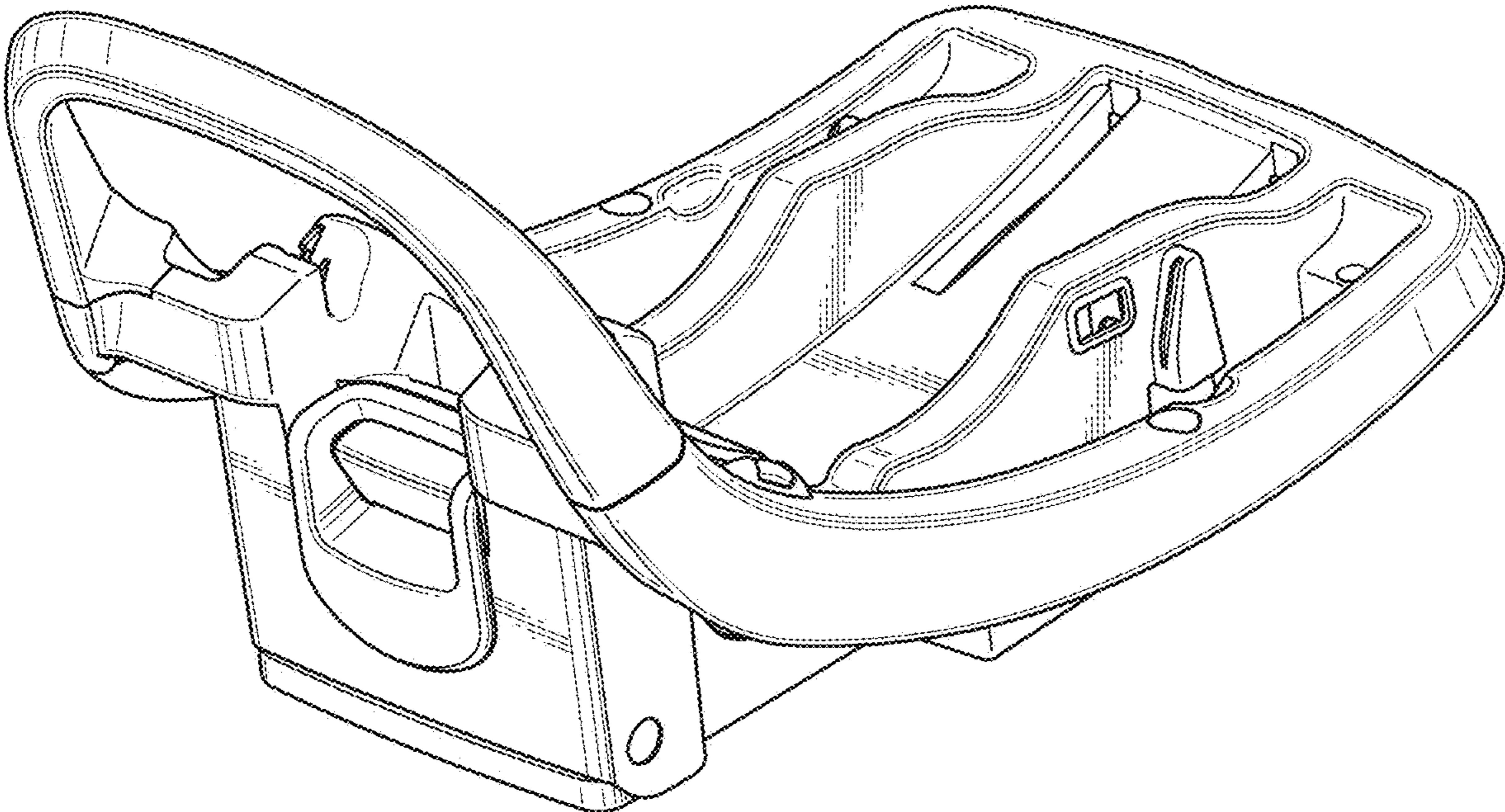


FIG. 1

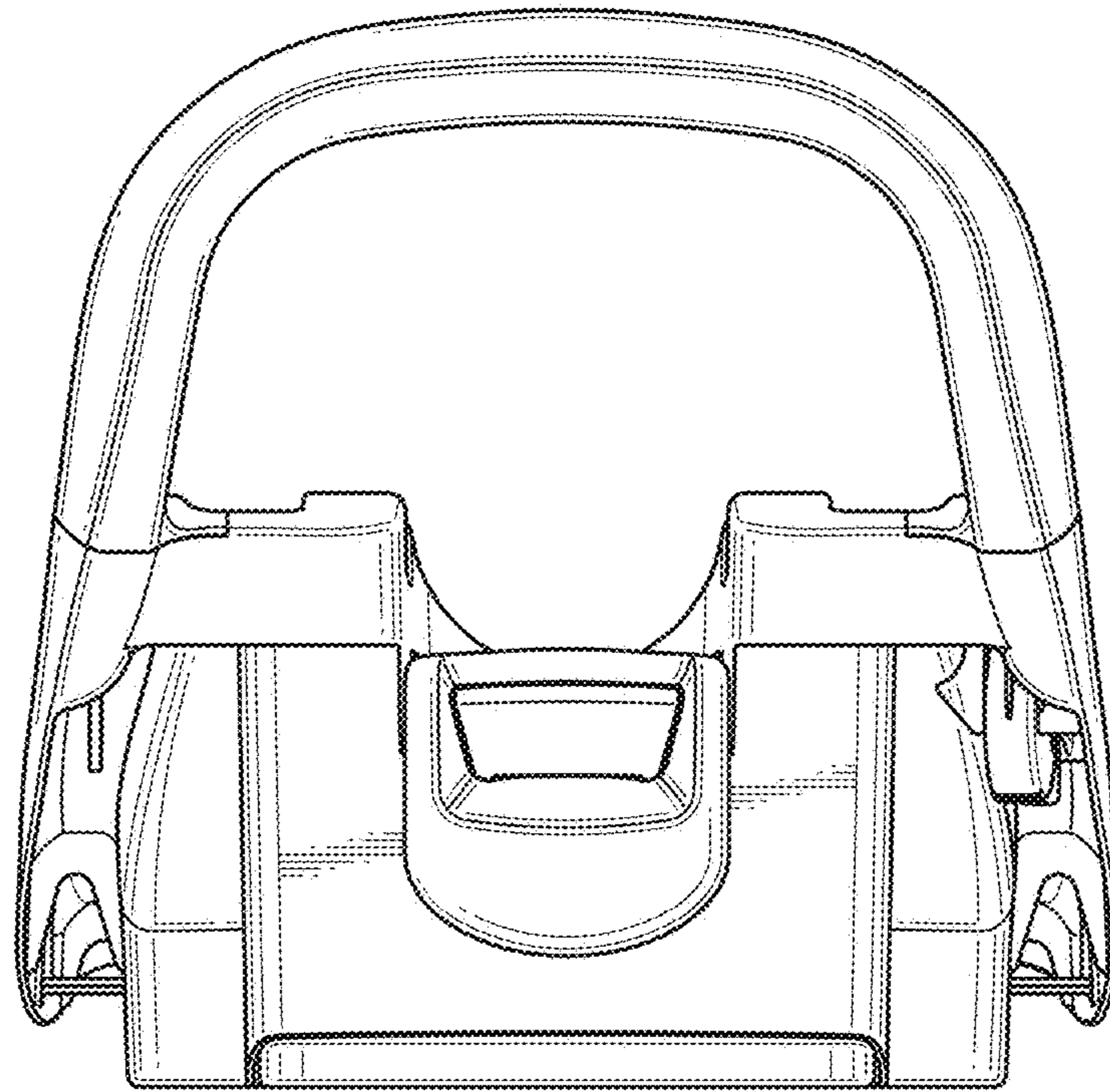


FIG. 2

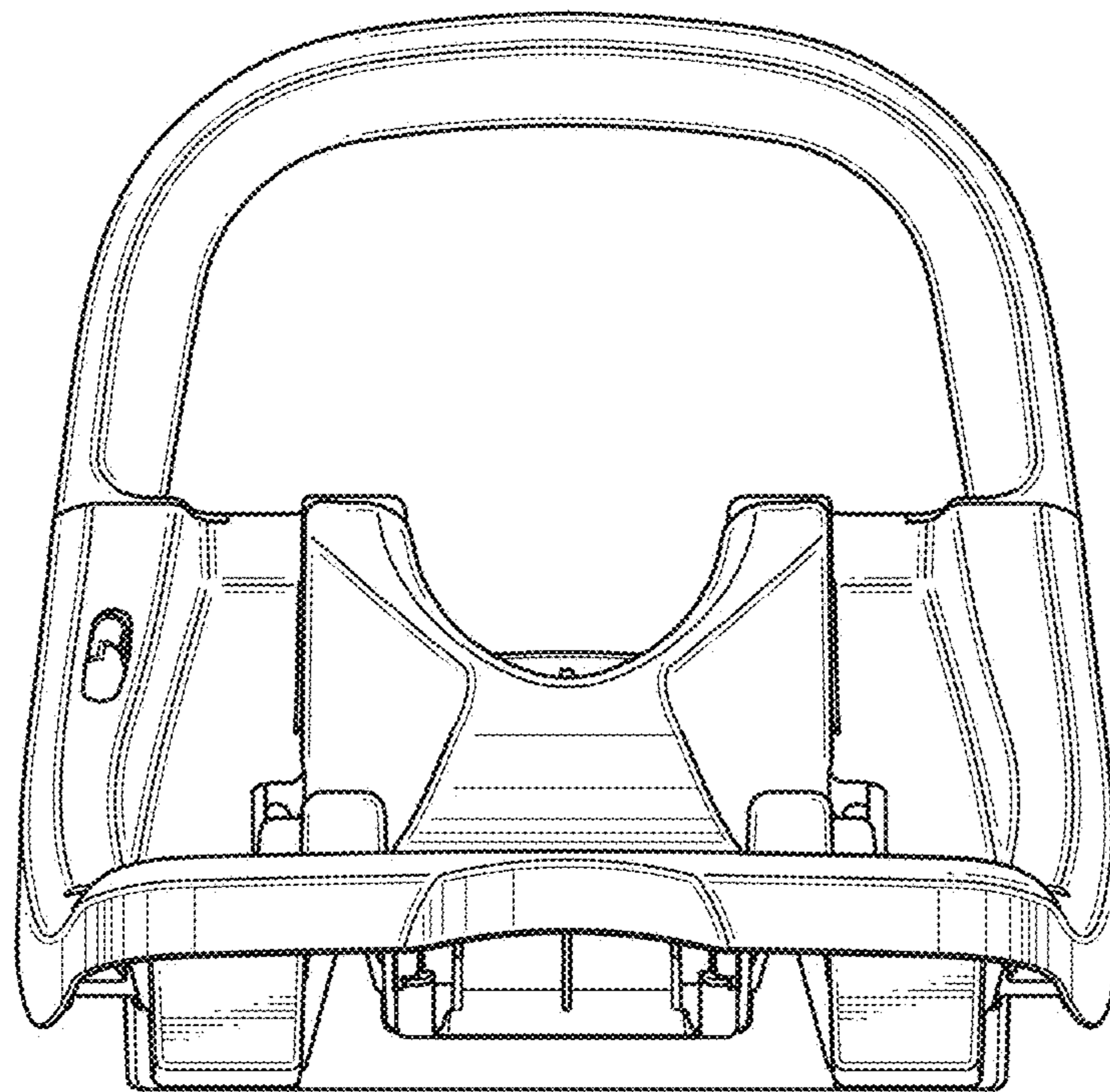


FIG. 3

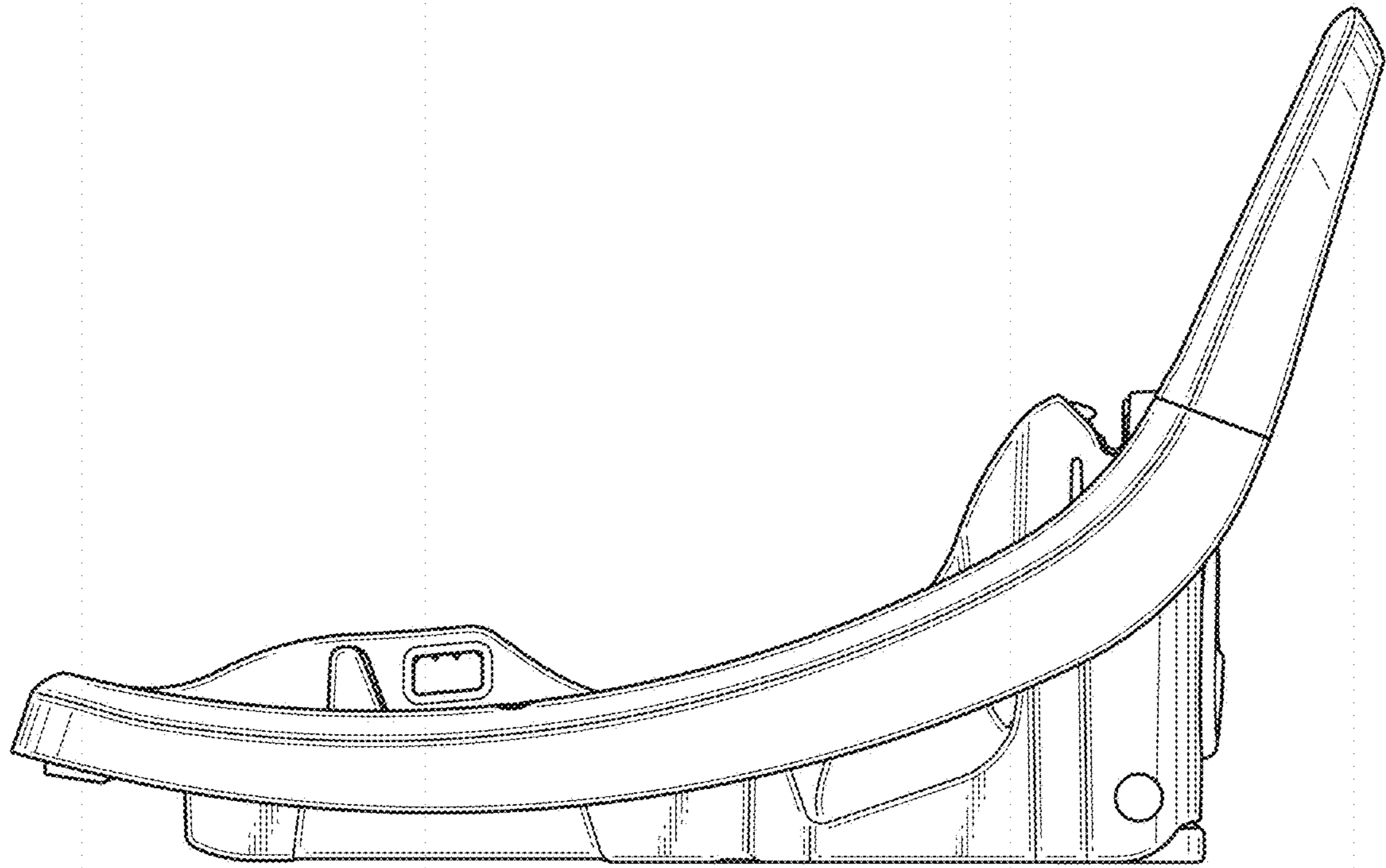


FIG. 4

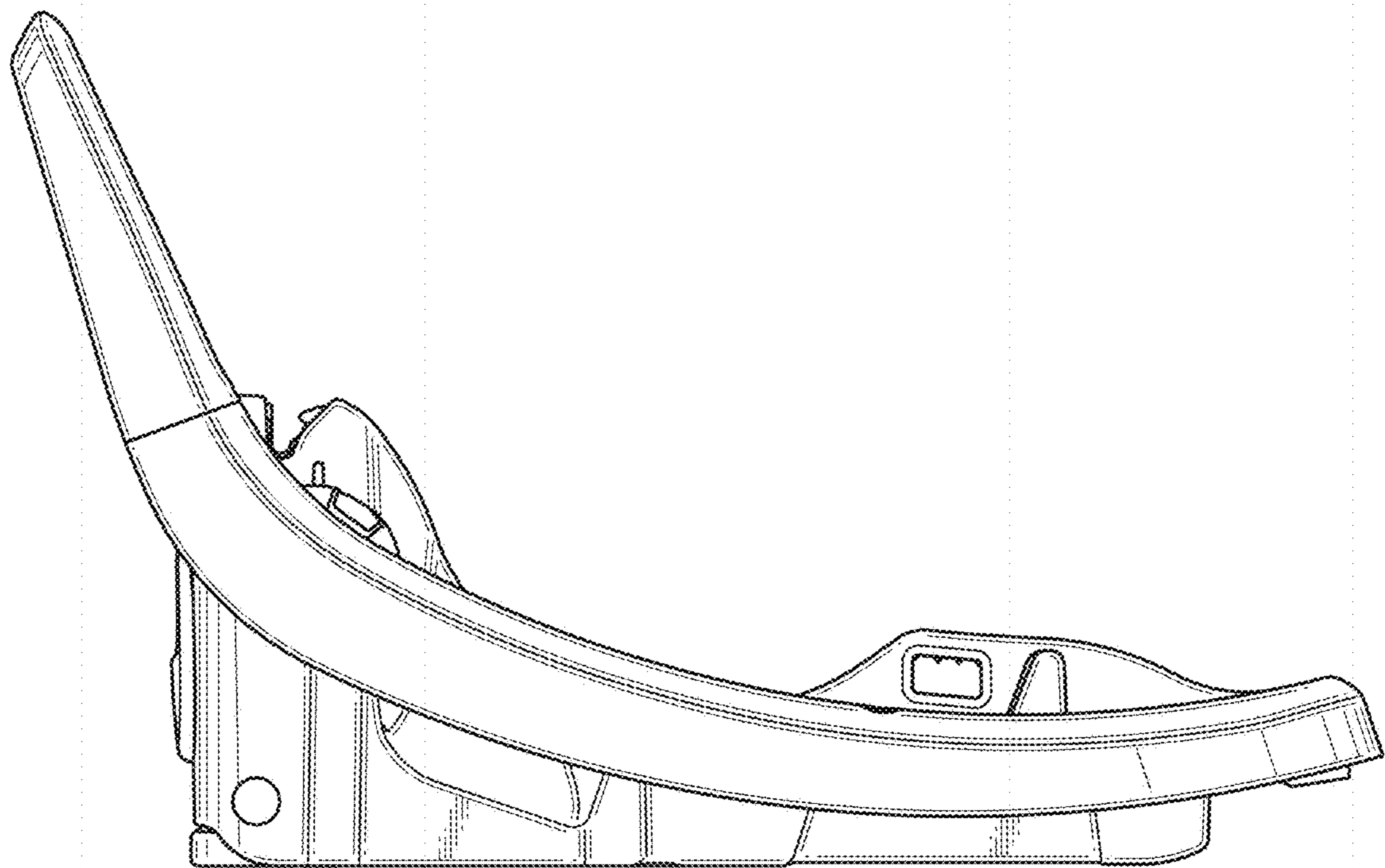


FIG. 5

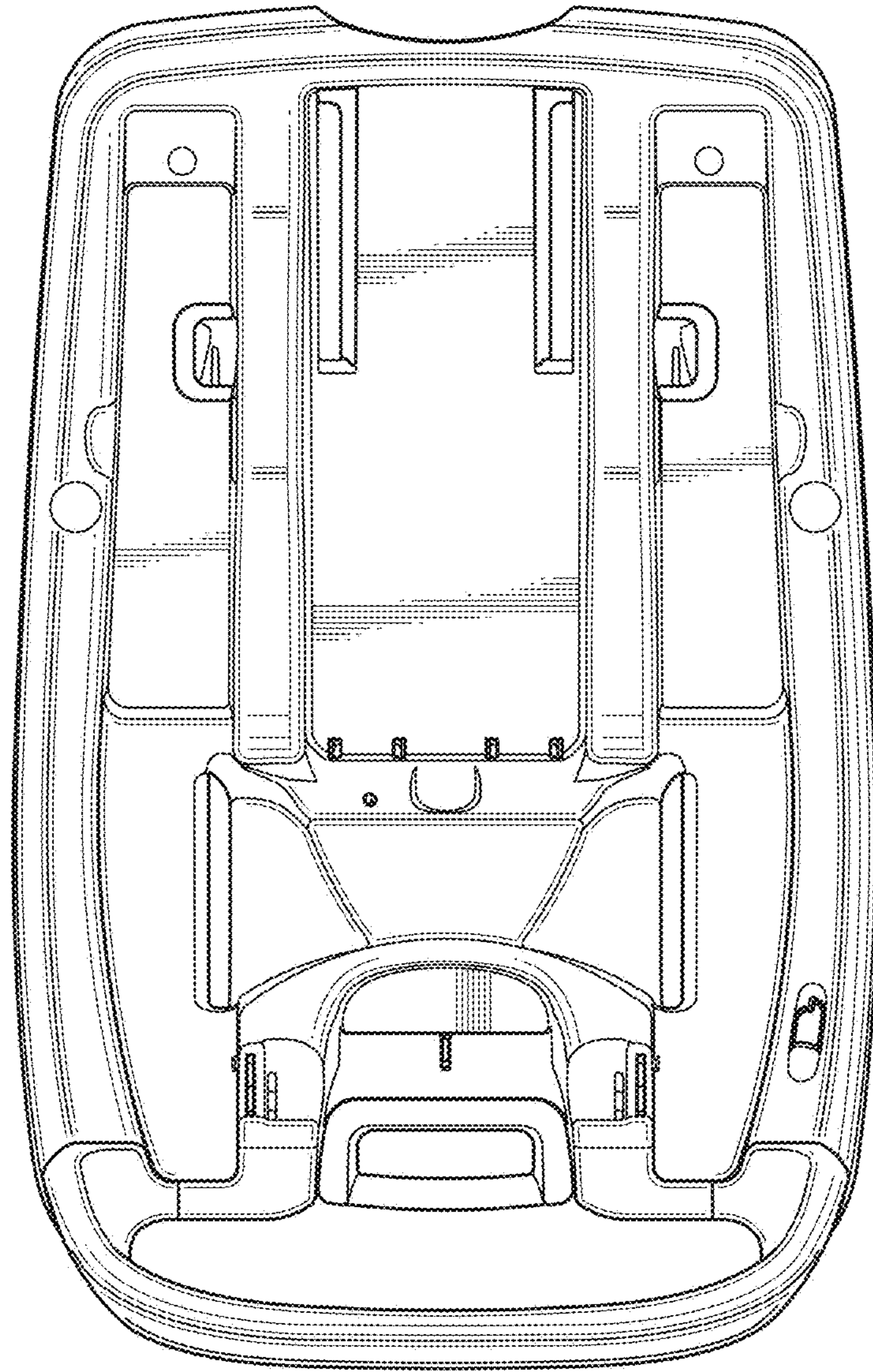


FIG. 6

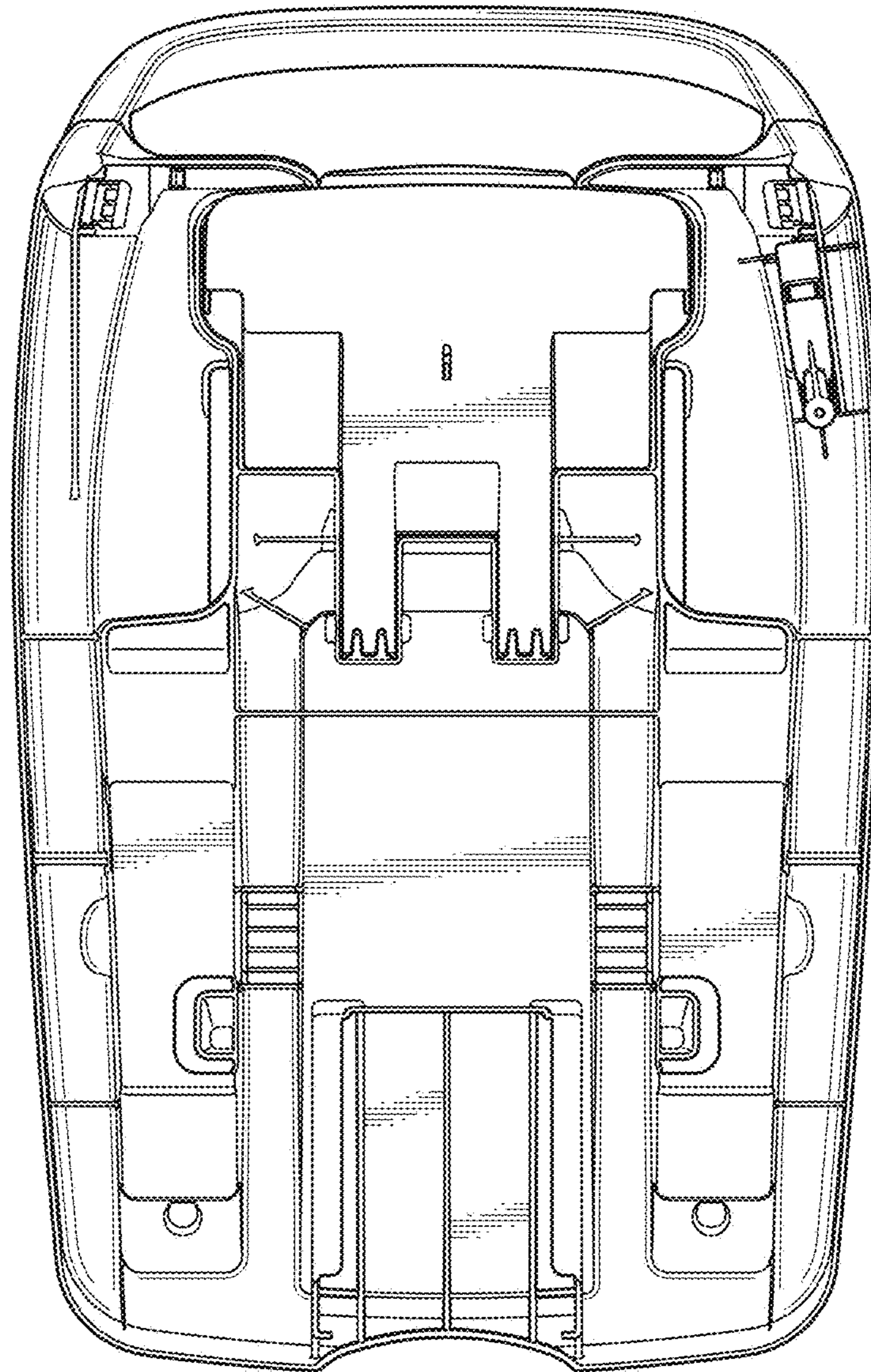


FIG. 7