



US00D969501S

(12) **United States Design Patent**
Kaiser et al.

(10) **Patent No.:** **US D969,501 S**

(45) **Date of Patent:** **** Nov. 15, 2022**

(54) **ADJUSTABLE MIRROR STAND**

(71) Applicant: **Erik A. Kaiser**, New York, NY (US)

(72) Inventors: **Erik A. Kaiser**, New York, NY (US);
Joshua David Kran, Endwell, NY (US)

(73) Assignee: **Erik A. Kaiser**, New York, NY (US)

(**) Term: **15 Years**

(21) Appl. No.: **29/778,236**

(22) Filed: **Apr. 12, 2021**

(51) **LOC (13) Cl.** **06-07**

(52) **U.S. Cl.**
USPC **D6/312**

(58) **Field of Classification Search**
USPC D6/300-314
CPC .. A47G 1/00; A47G 2001/002; F21V 33/004;
A45D 42/10
See application file for complete search history.

(56) **References Cited**

U.S. PATENT DOCUMENTS

D691,380 S * 10/2013 Richeson D6/312
D743,704 S * 11/2015 Kaiser D6/300
D749,329 S * 2/2016 Kaiser D6/300

D750,908 S * 3/2016 Hickman D6/300
D882,281 S * 4/2020 Park D6/310
D895,986 S * 9/2020 Yang D6/312

* cited by examiner

Primary Examiner — Deanna L Pratt

(74) *Attorney, Agent, or Firm* — Steven N. Fox, Esq.

(57) **CLAIM**

The ornamental design for an adjustable mirror stand, as shown and described.

DESCRIPTION

FIG. 1 is a front perspective view of an adjustable mirror stand according to the present invention shown in a first position with a mirror attached thereto; FIG. 2 is a front perspective view of the adjustable mirror stand shown in a second position with the mirror attached thereto; FIG. 3 is a front perspective view of the adjustable mirror stand shown in the second position without the mirror; FIG. 4 is a front view thereof; FIG. 5 is a rear view thereof; FIG. 6 is a left side view thereof; FIG. 7 is a right side view thereof; FIG. 8 is a top view thereof; and, FIG. 9 is a bottom view thereof. Portions of the adjustable mirror stand shown in broken lines form no part of the claimed design. The broken line showing of the mirror illustrates the environment of the claimed design and forms no part thereof.

1 Claim, 8 Drawing Sheets

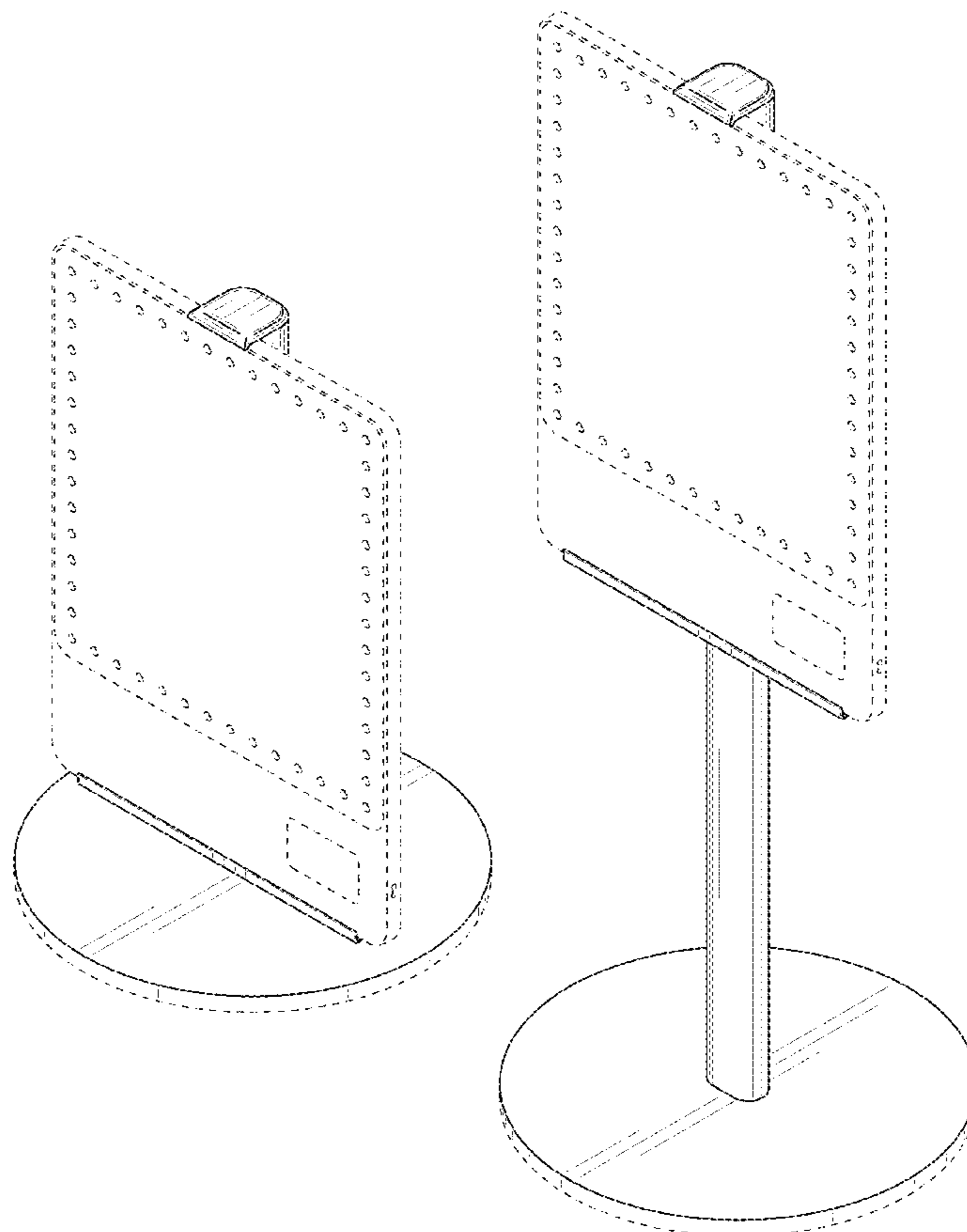
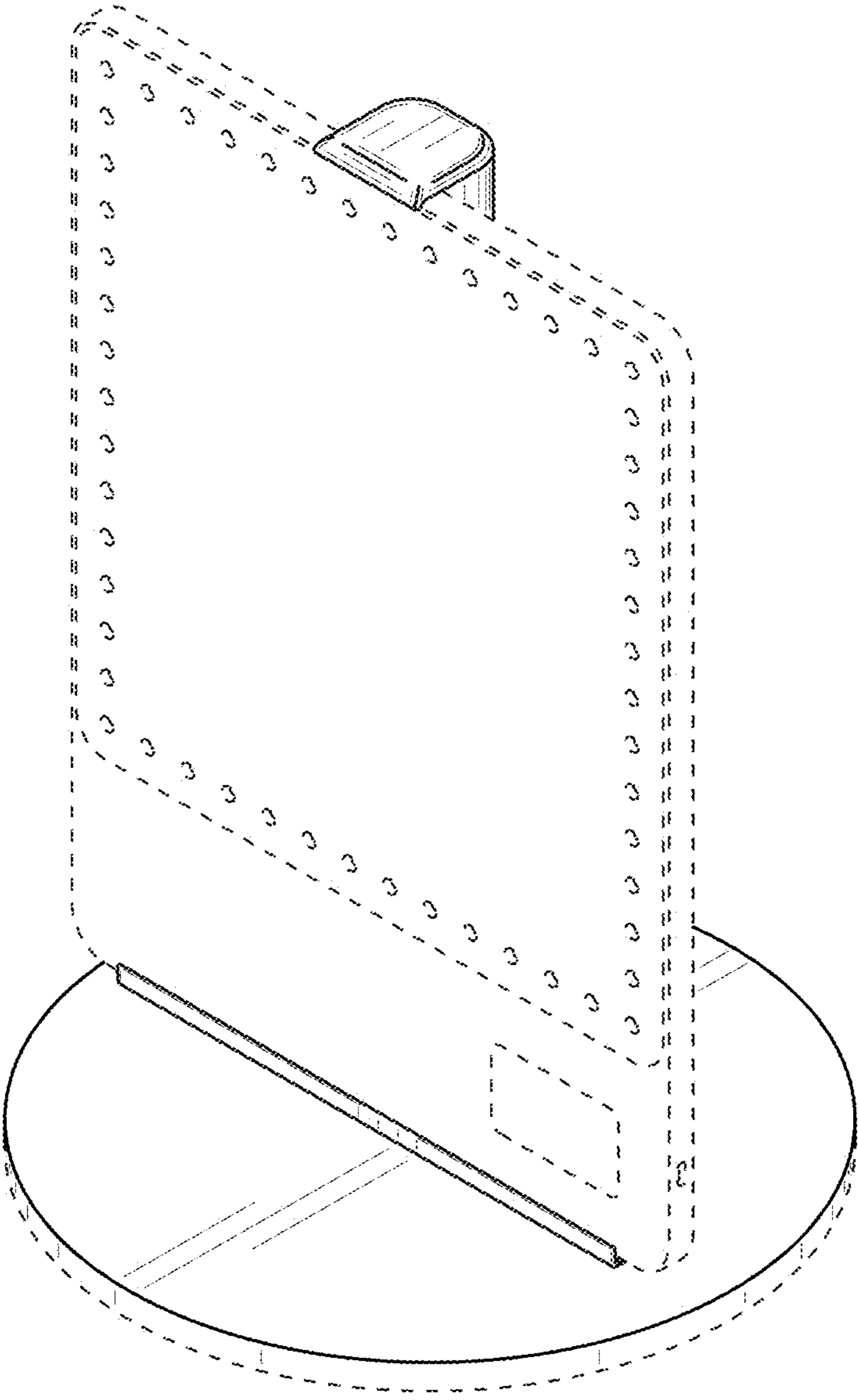


FIG. 1



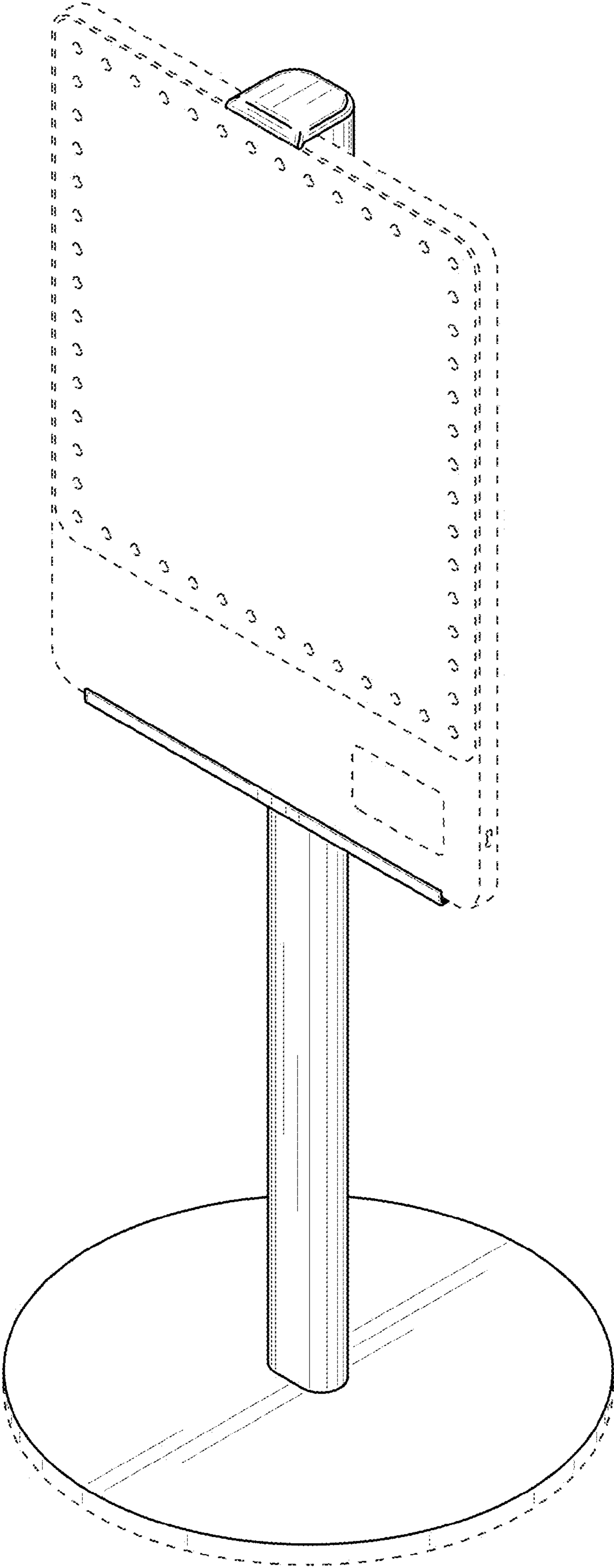


FIG. 2

FIG. 3

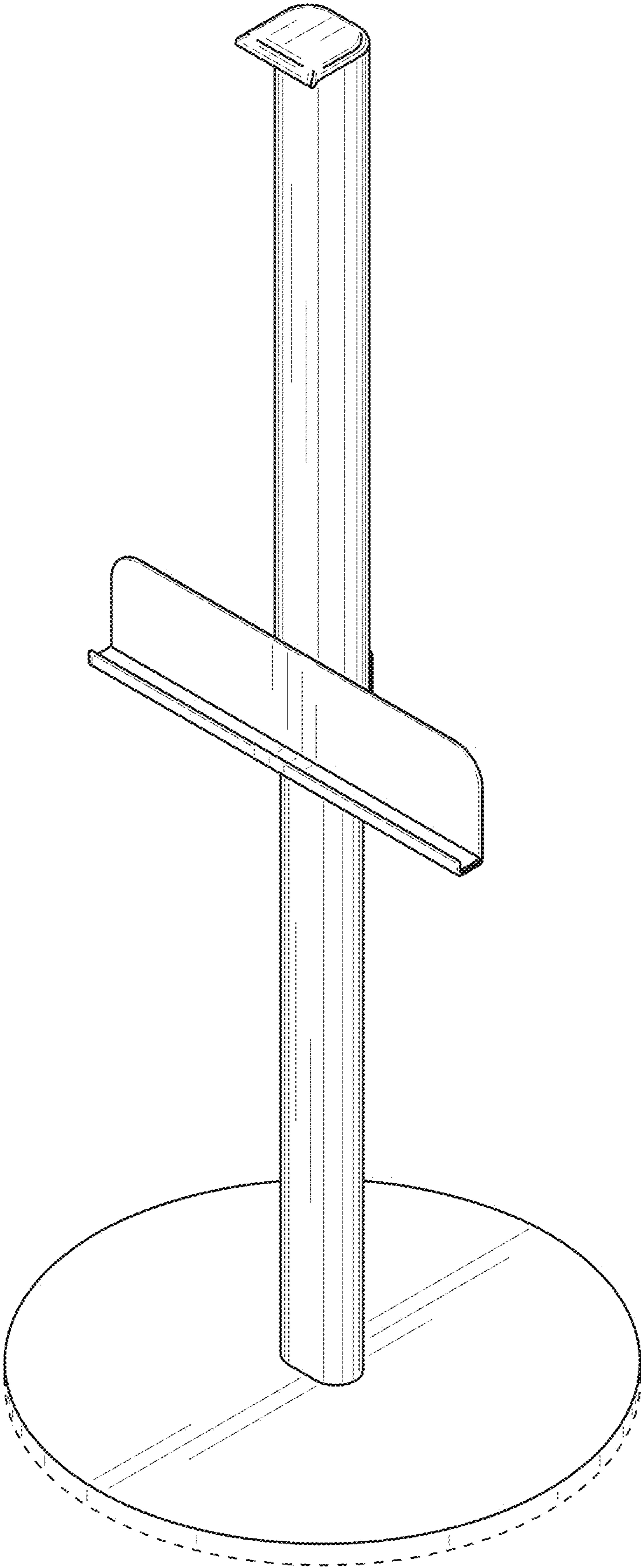


FIG. 4

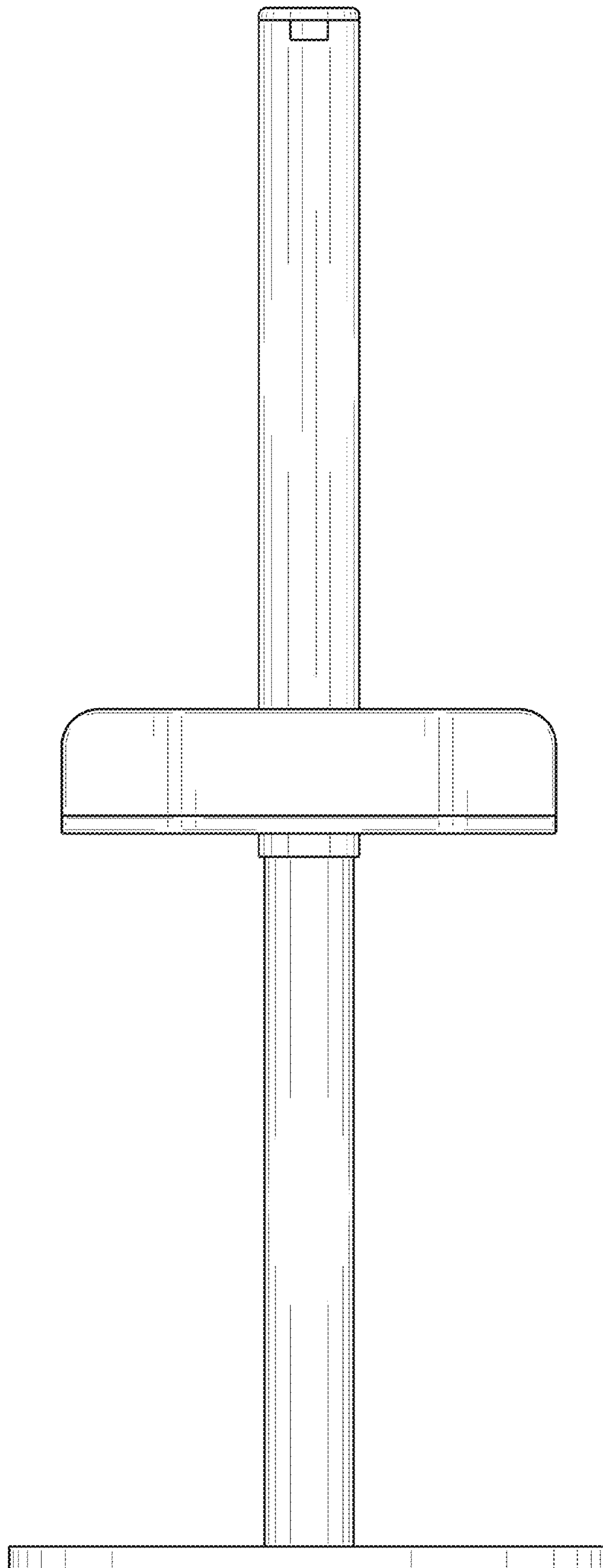


FIG. 5

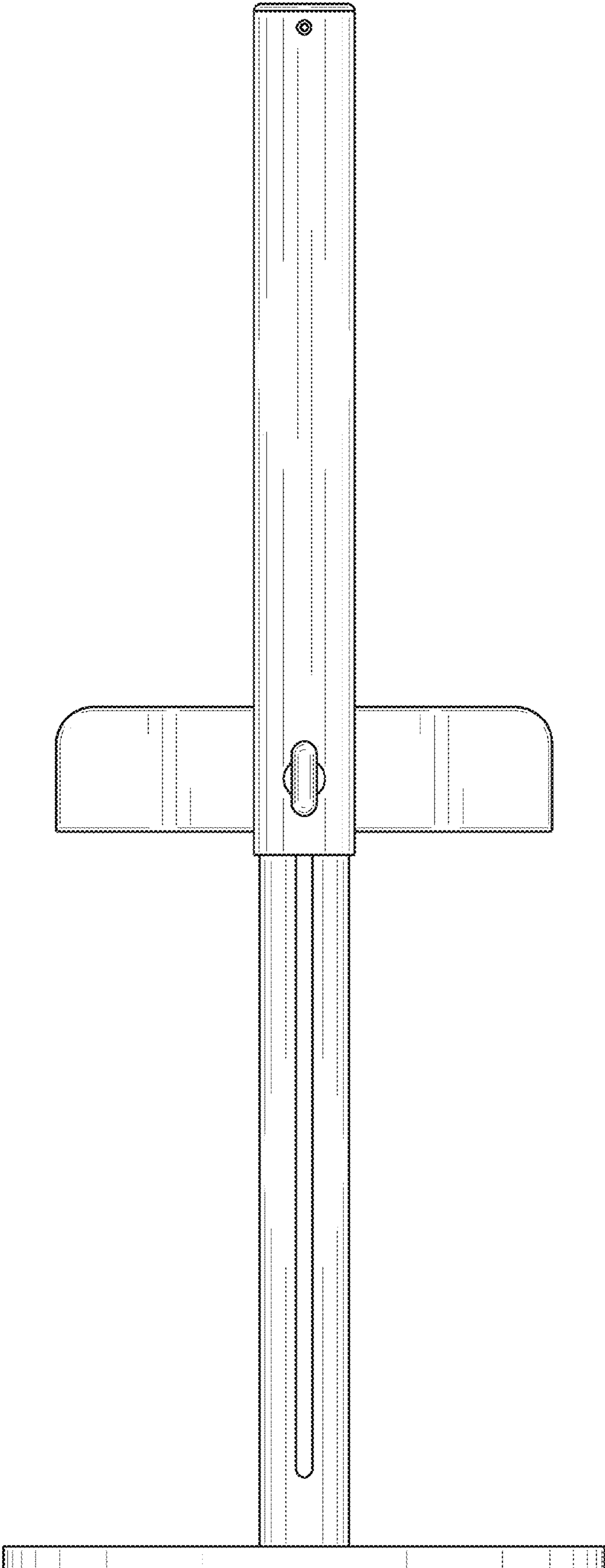


FIG. 6

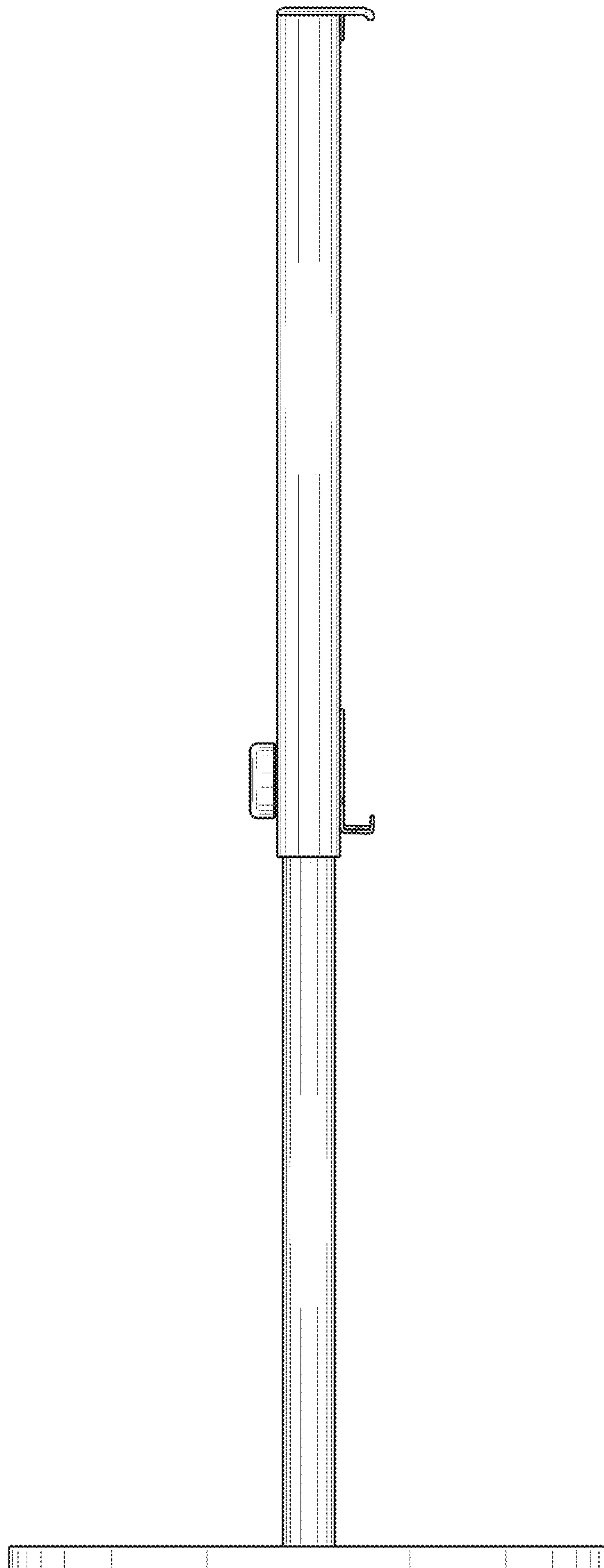


FIG. 7

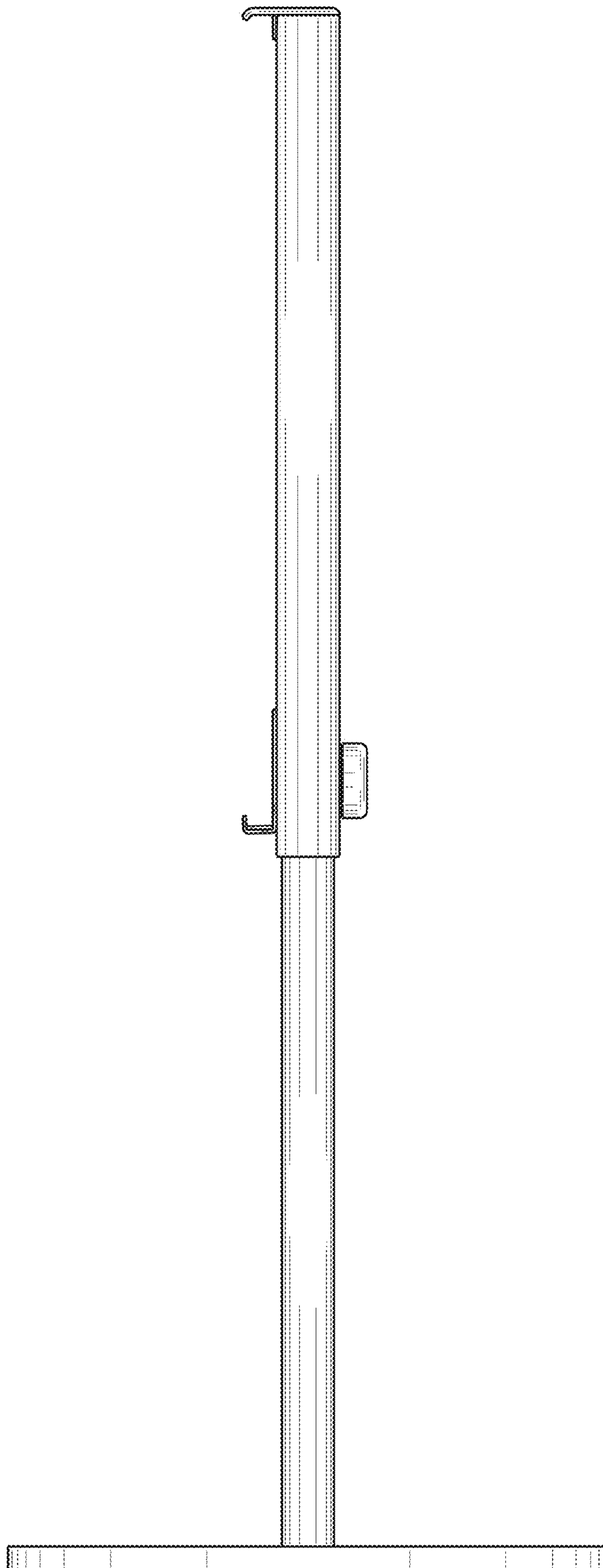


FIG. 8

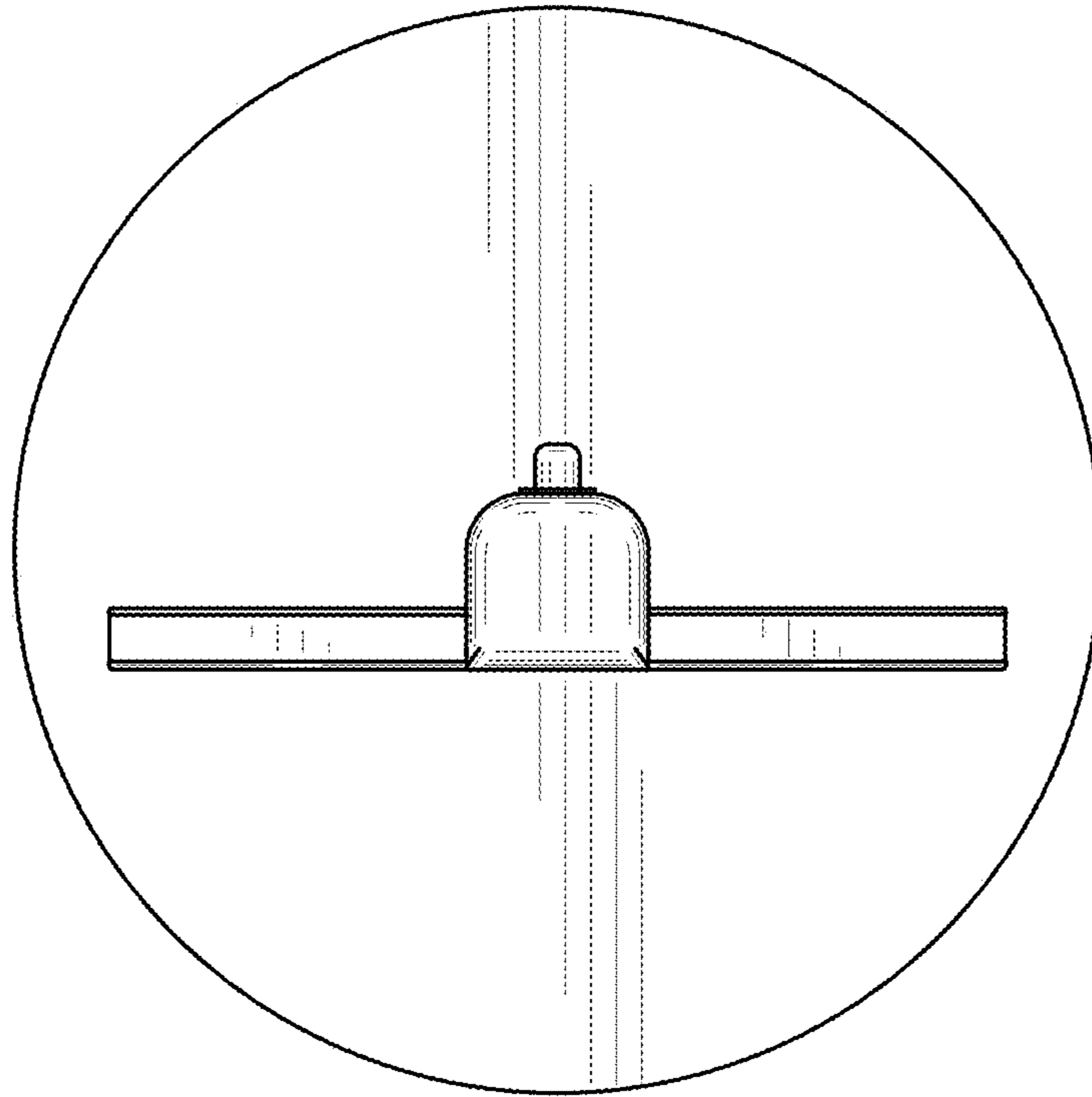


FIG. 9

