



(12) **United States Design Patent**
Zhu

(10) **Patent No.:** **US D969,500 S**
(45) **Date of Patent:** **** Nov. 15, 2022**

- (54) **MAKEUP MIRROR**
- (71) Applicant: **Qingxiu Liu**, Shenzhen (CN)
- (72) Inventor: **Zhehao Zhu**, Guangdong (CN)
- (73) Assignee: **Qingxiu Liu**, Shenzhen (CN)
- (**) Term: **15 Years**
- (21) Appl. No.: **29/822,120**
- (22) Filed: **Jan. 6, 2022**

Related U.S. Application Data

- (62) Division of application No. 29/750,500, filed on Sep. 14, 2020, now Pat. No. Des. 942,762.
- (51) **LOC (13) Cl.** **06-07**
- (52) **U.S. Cl.**
USPC **D6/310**
- (58) **Field of Classification Search**
USPC D6/300-314
CPC .. A47G 1/00; A47G 2001/002; F21V 33/004;
A45D 42/10
See application file for complete search history.

(56) **References Cited**

U.S. PATENT DOCUMENTS

- D589,267 S * 3/2009 Pitot D6/308
- D802,944 S * 11/2017 Palfreeman D6/308
- D833,762 S * 11/2018 Liu D6/310

- D859,011 S * 9/2019 Liu D6/310
- D895,986 S * 9/2020 Yang D6/312
- D897,697 S * 10/2020 Liu D6/310
- D907,375 S * 1/2021 Liang D6/312
- D942,762 S * 2/2022 Zhu D6/310
- D946,909 S * 3/2022 Yu D6/310
- D951,660 S * 5/2022 Li D6/310
- D955,022 S * 6/2022 Zeng D6/309
- D955,761 S * 6/2022 Liu D6/310

* cited by examiner

Primary Examiner — Deanna L Pratt

(74) *Attorney, Agent, or Firm* — Andrew C. Cheng

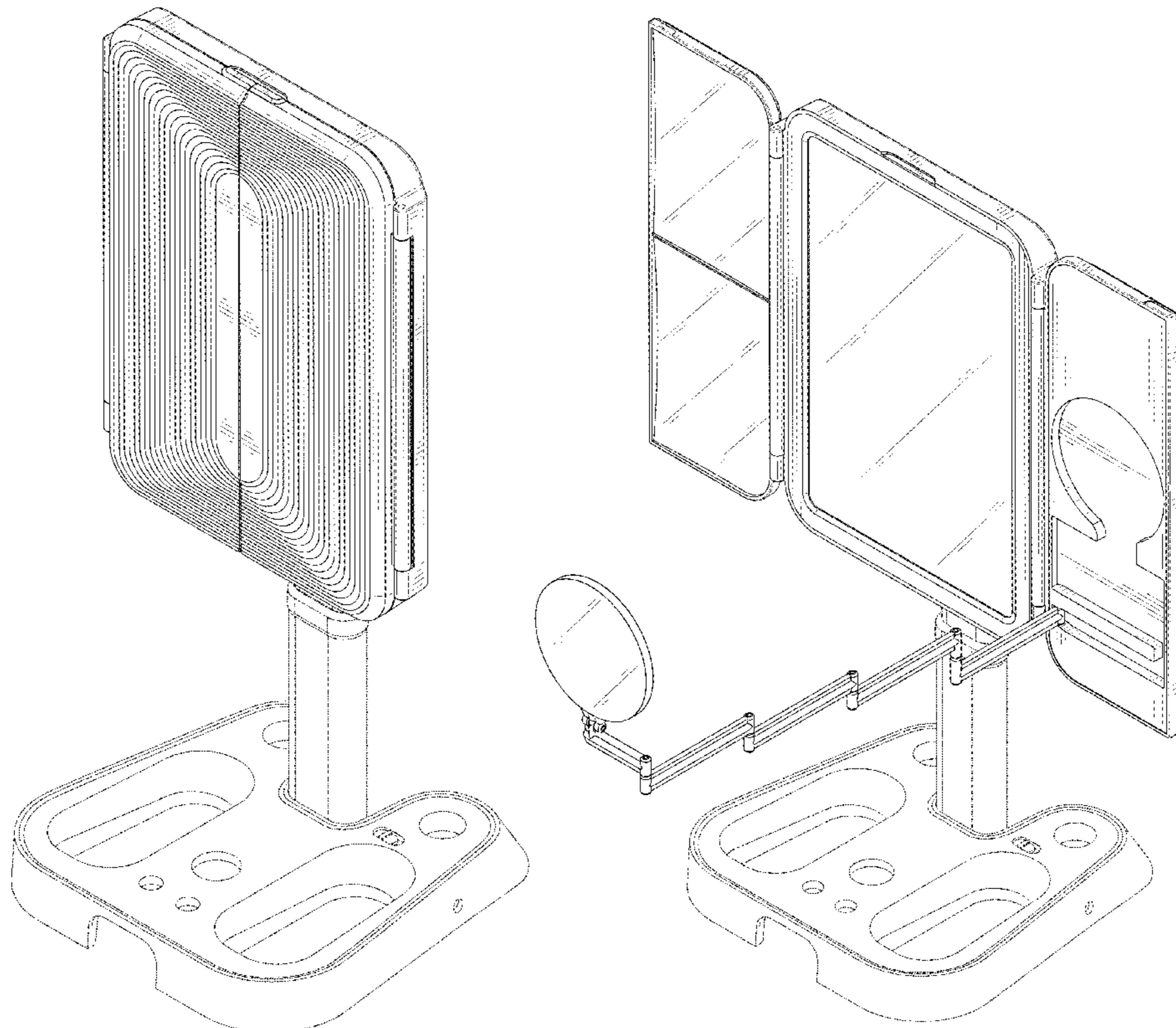
(57) **CLAIM**

The ornamental design for a “makeup mirror”, as shown and described.

DESCRIPTION

FIG. 1 is a first perspective view of a makeup mirror showing my new design;
 FIG. 2 is a second perspective view thereof;
 FIG. 3 is a front elevational view thereof;
 FIG. 4 is a rear elevational view thereof;
 FIG. 5 is a left elevational view thereof;
 FIG. 6 is a right elevational view thereof;
 FIG. 7 is a top plan view thereof;
 FIG. 8 is a bottom plan view thereof; and,
 FIG. 9 is a perspective view thereof shown in a state of use.
 The broken lines in the drawings illustrate portions of the makeup mirror which form no part of the claimed design.

1 Claim, 9 Drawing Sheets



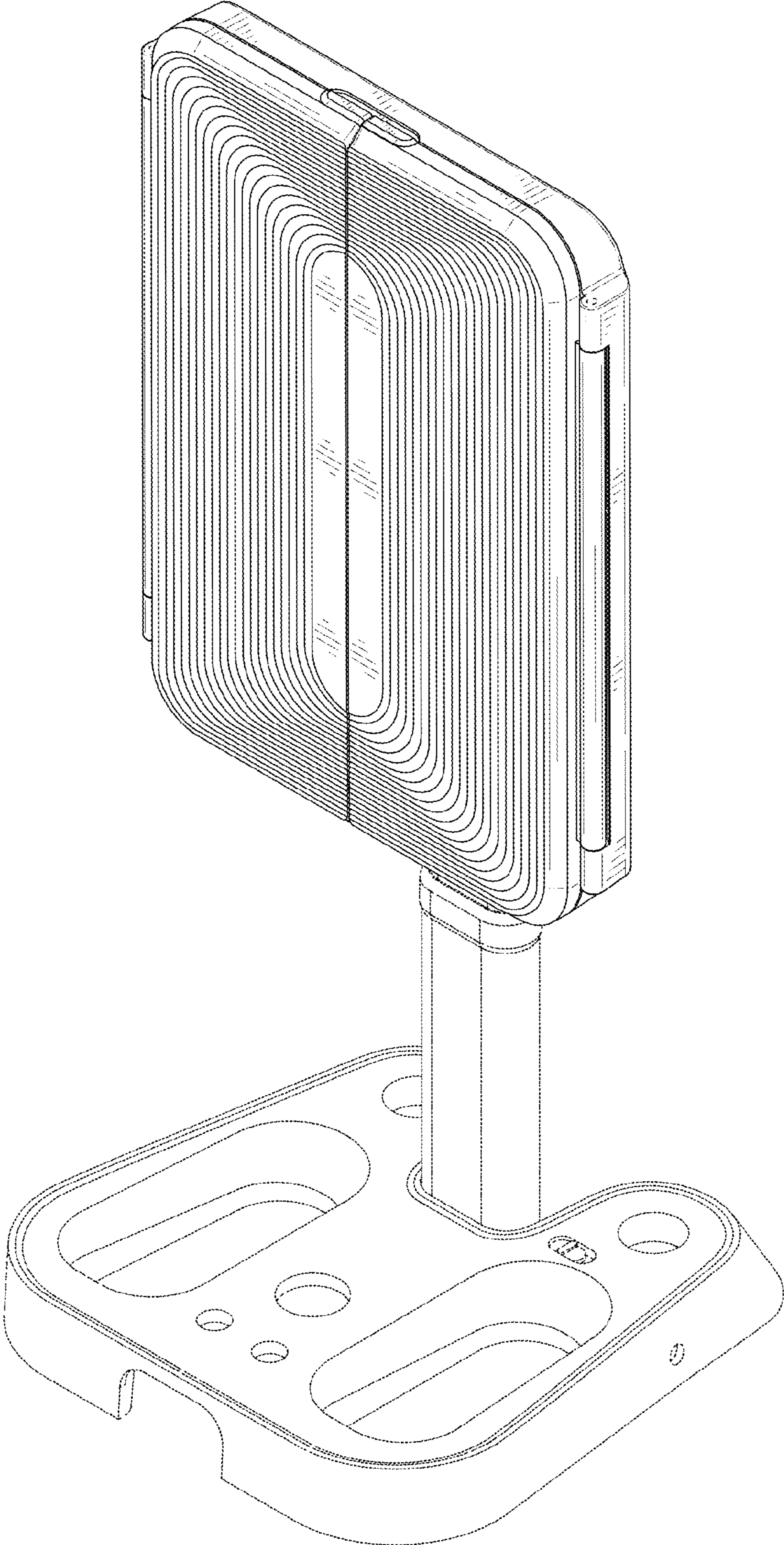


FIG. 1

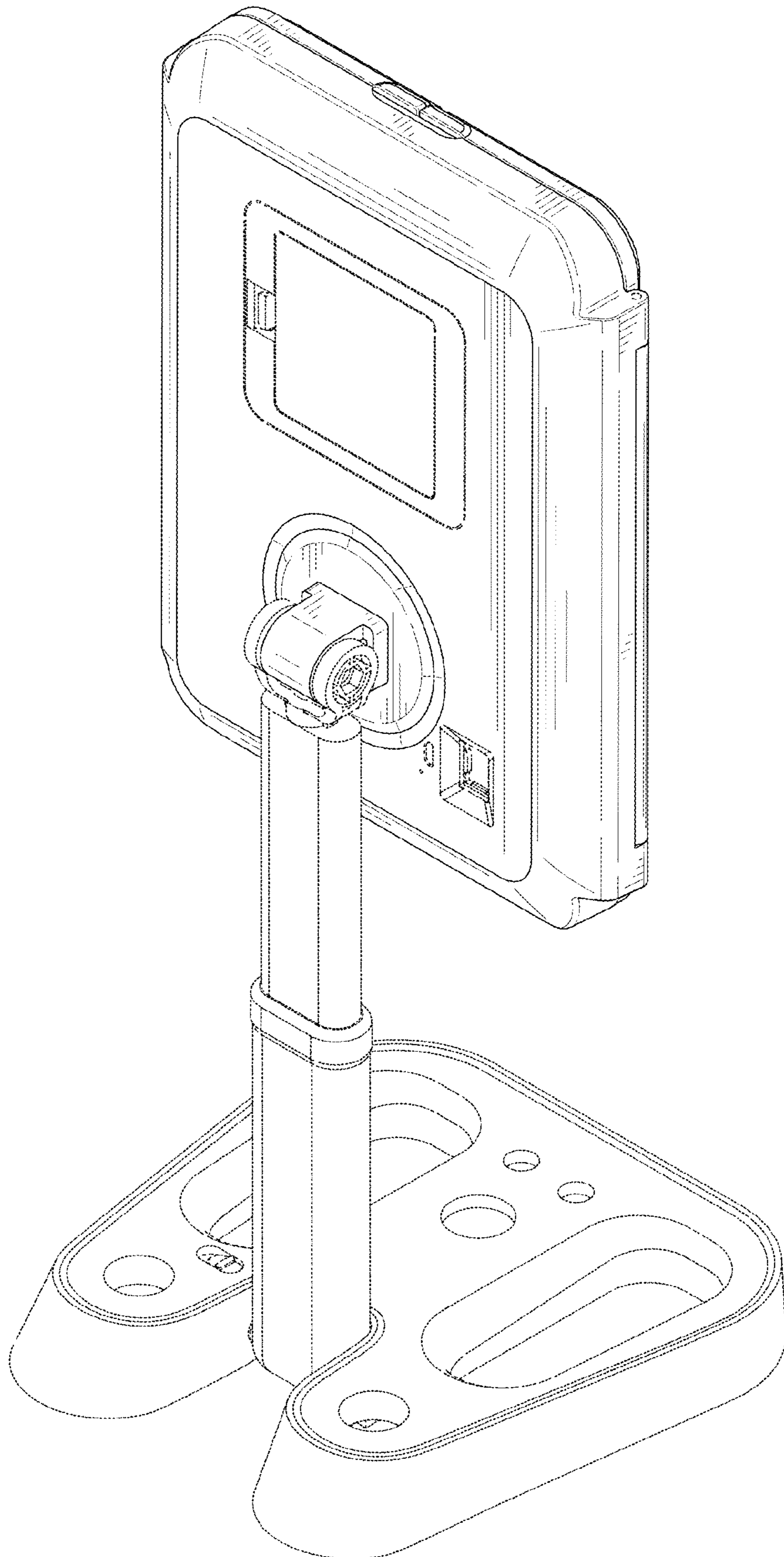


FIG. 2

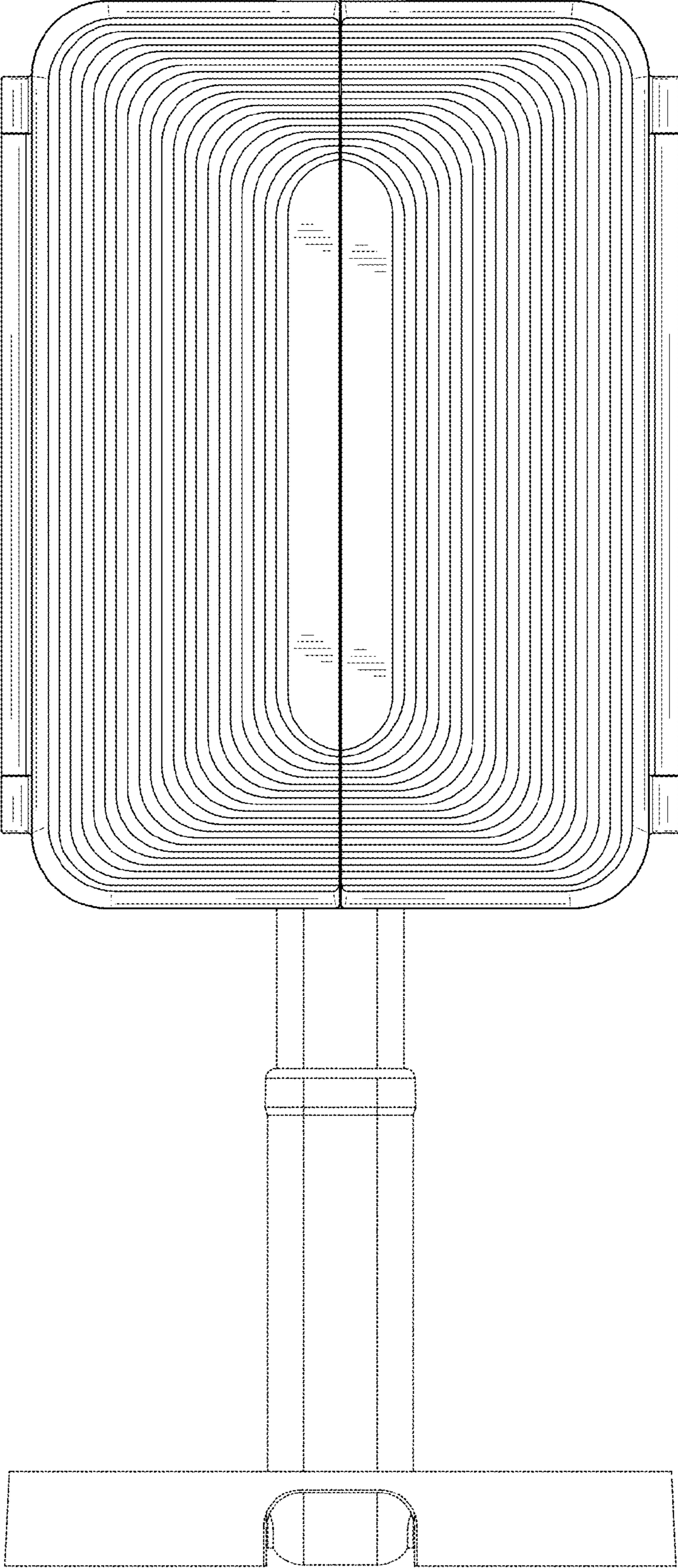


FIG. 3

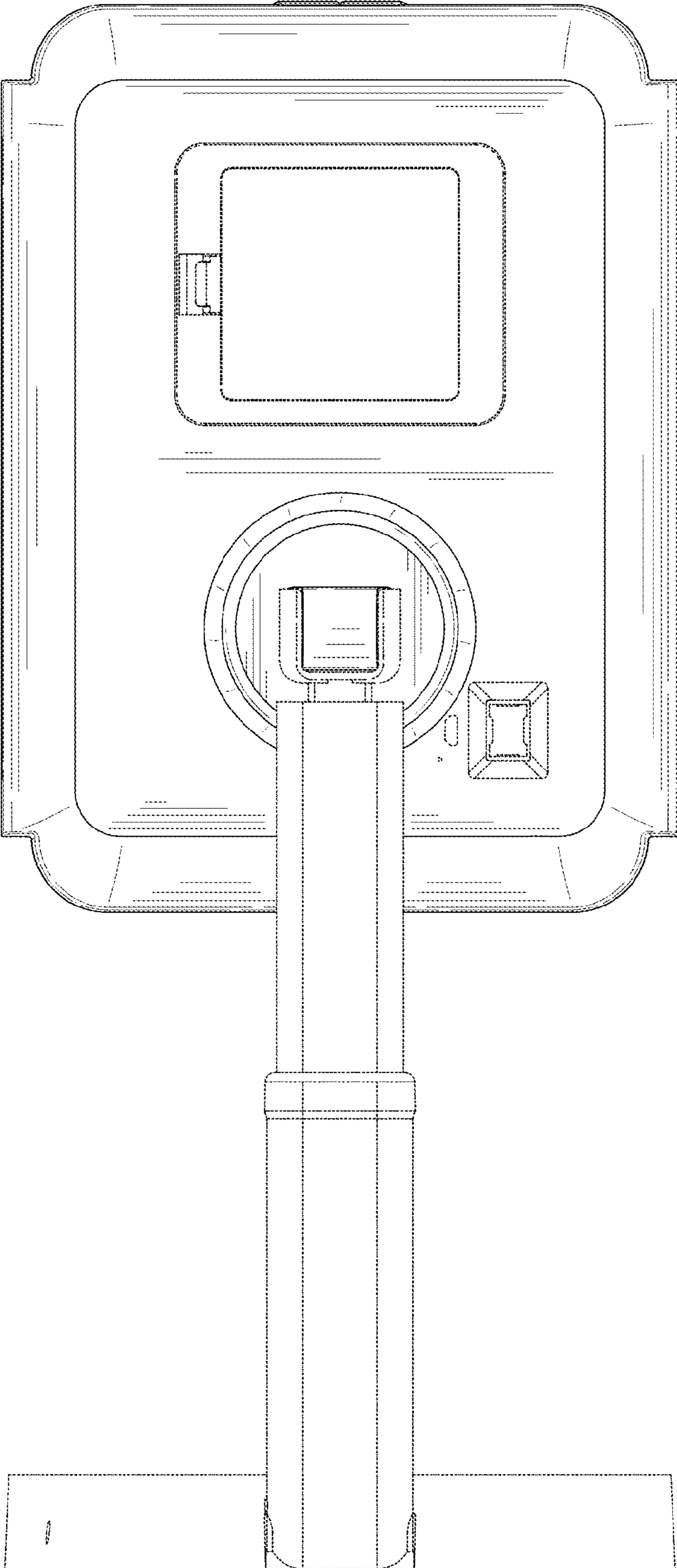


FIG. 4

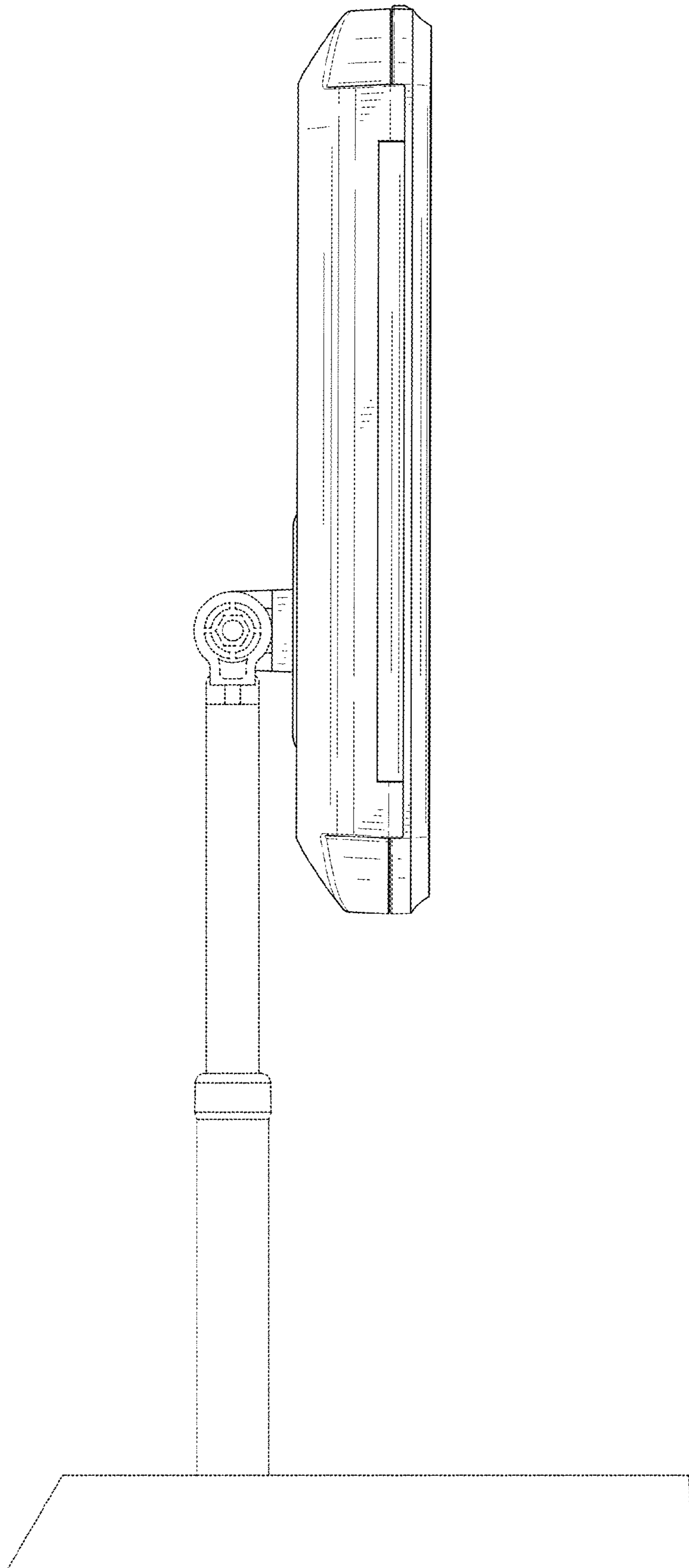


FIG. 5

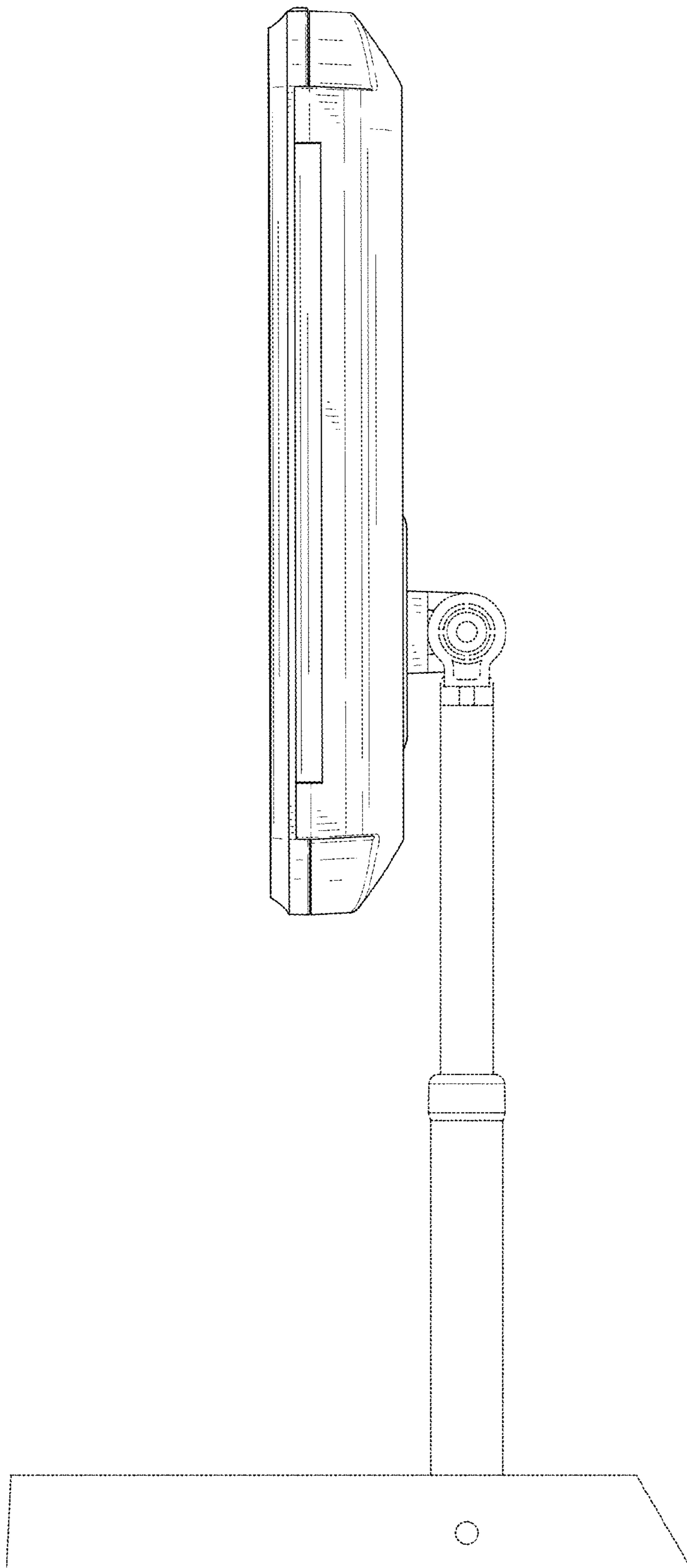


FIG. 6

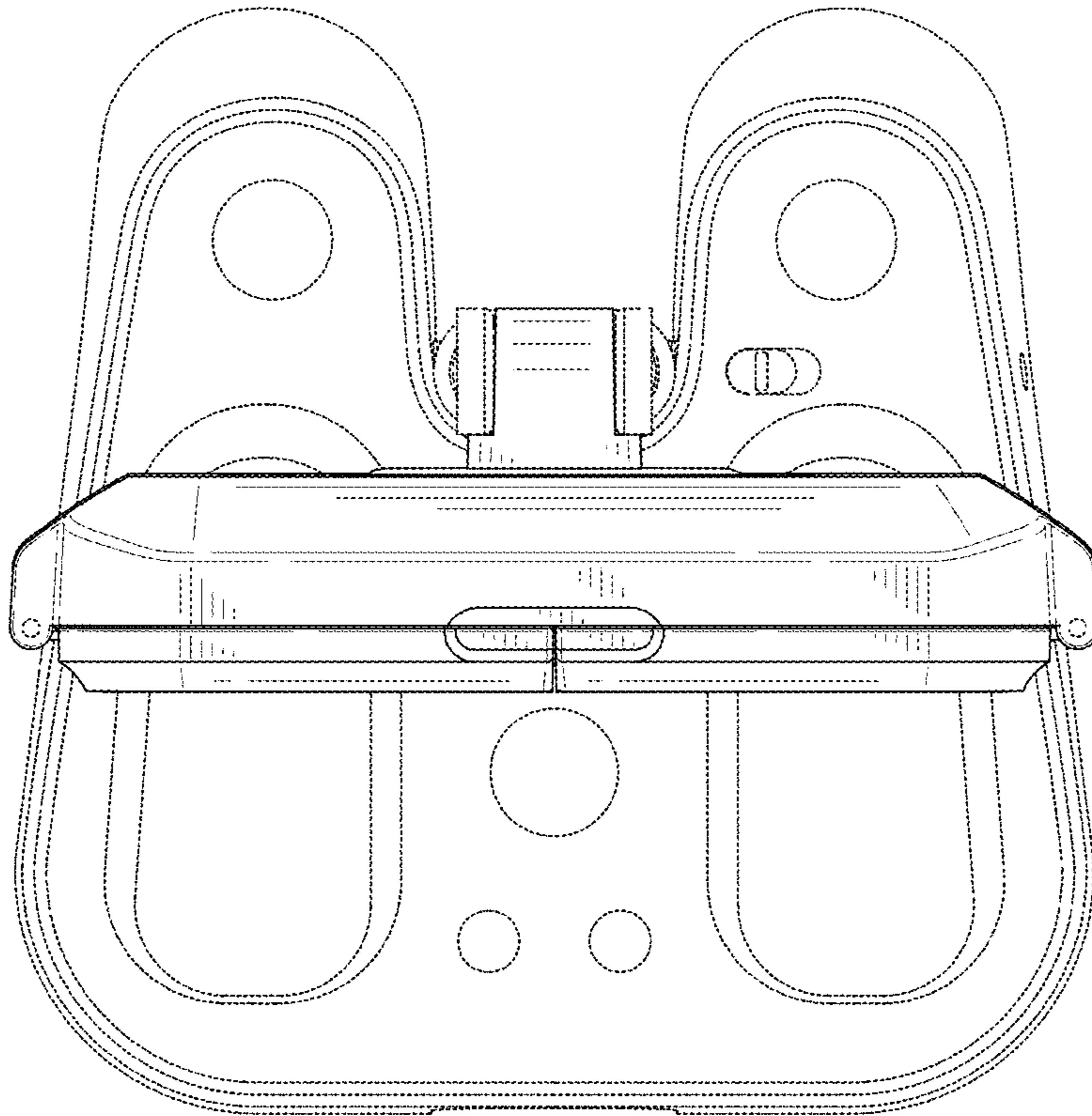


FIG. 7

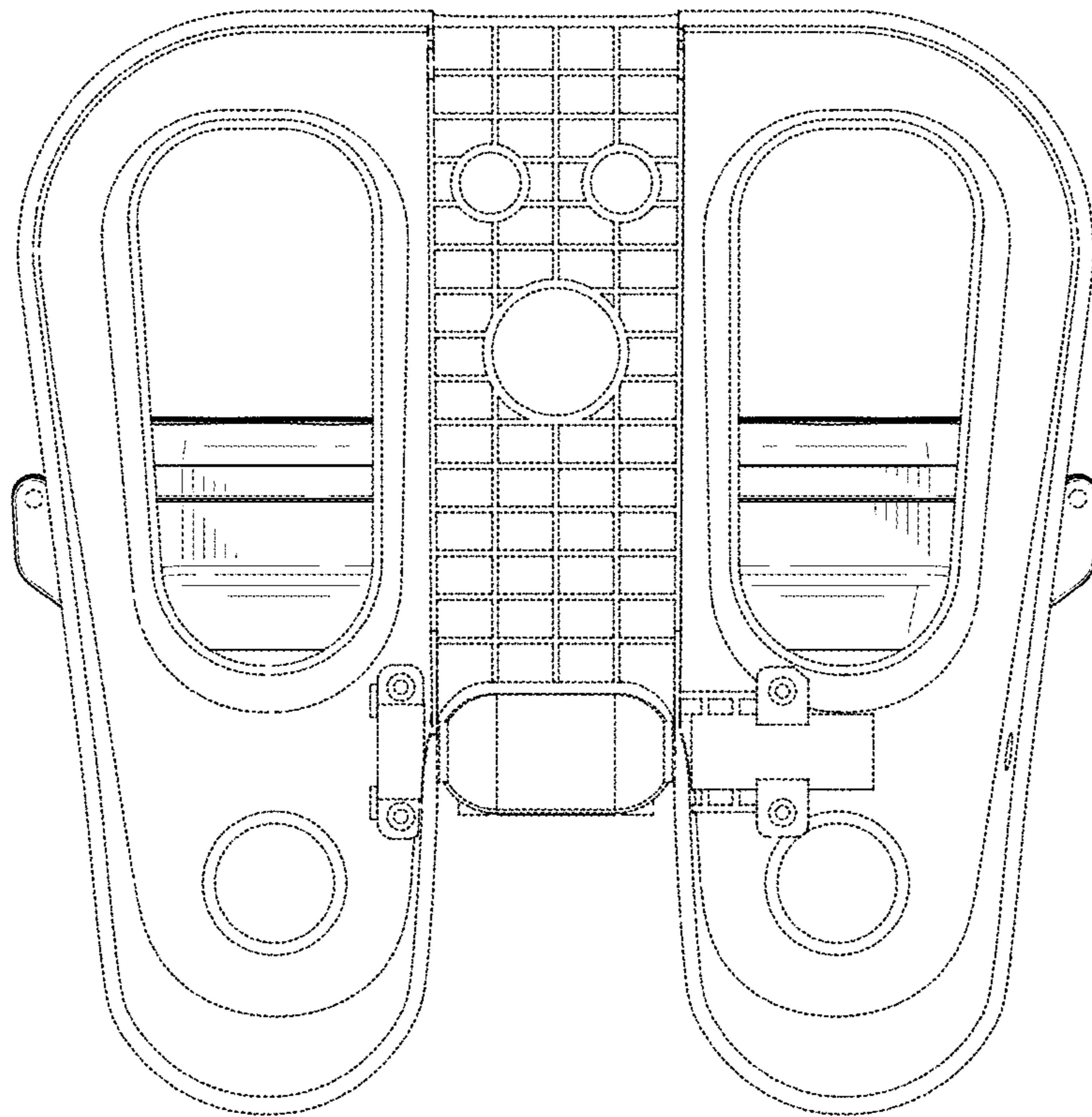


FIG. 8

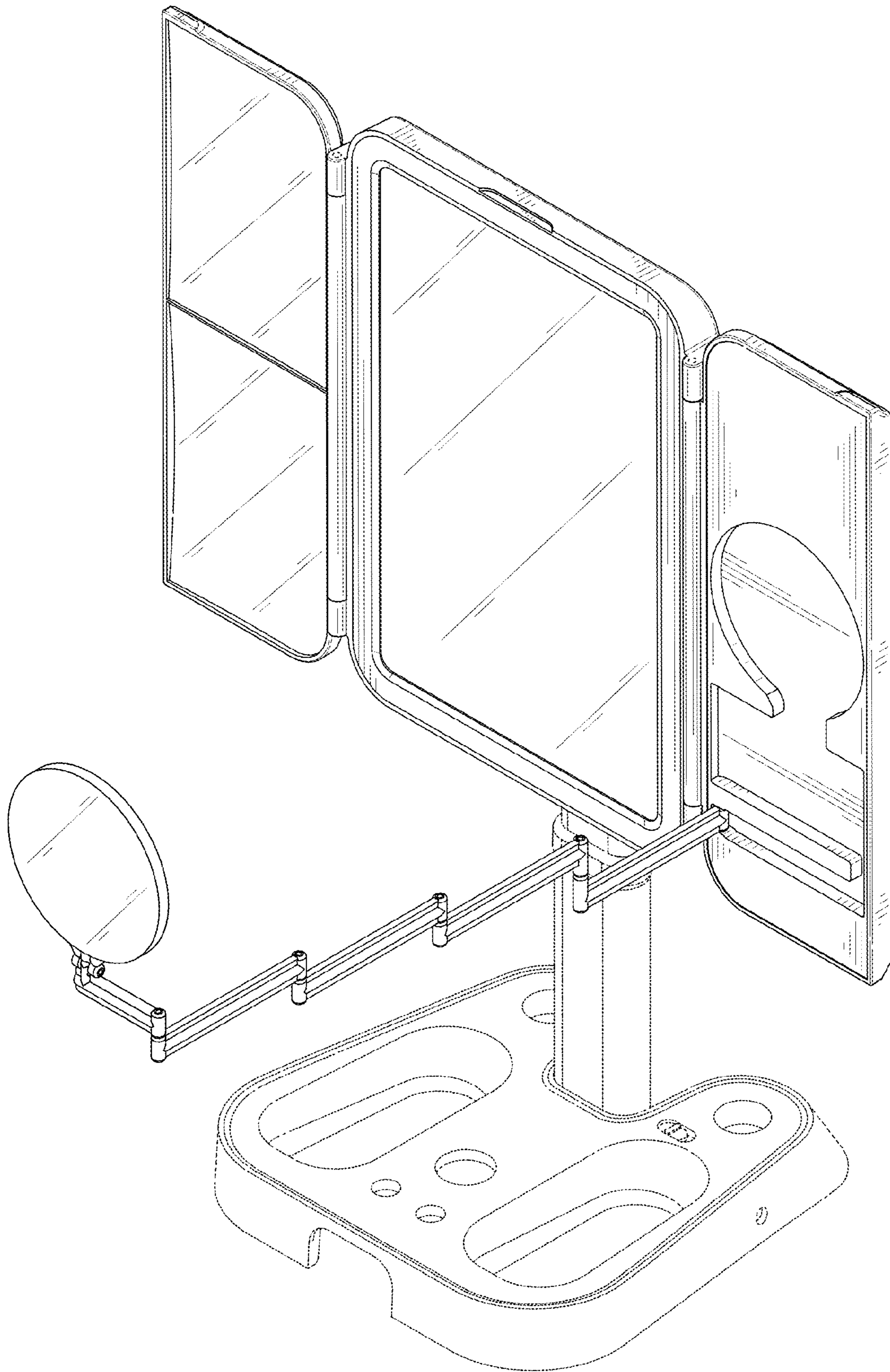


FIG. 9