



US00D969499S

(12) **United States Design Patent** (10) **Patent No.:** **US D969,499 S**
LeTourneau et al. (45) **Date of Patent:** **** Nov. 15, 2022**

(54) **SHELF COMBINED WITH MIRROR**

FOREIGN PATENT DOCUMENTS

(71) Applicant: **Kohler Co.**, Kohler, WI (US)

CN 306356744 * 7/2020

(72) Inventors: **Alexander V. LeTourneau**, Sheboygan, WI (US); **Dongha Lee**, Sheboygan, WI (US); **Zhiyu Liu**, Sheboygan, WI (US); **Shawn J. Booth**, Sheboygan, WI (US)

OTHER PUBLICATIONS

Rivet Modern Round Hanging Mirror with Shelf [online], [site visited Aug. 25, 2021], Available from internet, URL: <<https://www.amazon.com/Amazon-Brand-Modern-Hanging-Diameter/dp/B084HTZ8PW/>> (Year: 2020).*

(73) Assignee: **KOHLER CO.**

(Continued)

(**) Term: **15 Years**

Primary Examiner — Cynthia Ramirez

(21) Appl. No.: **29/817,816**

Assistant Examiner — Xavier Marti-Santos

(22) Filed: **Dec. 3, 2021**

(74) *Attorney, Agent, or Firm* — The Belles Group, P.C.

Related U.S. Application Data

(57) **CLAIM**

The ornamental design for a shelf combined with mirror, as shown and described.

(62) Division of application No. 29/721,336, filed on Jan. 20, 2020, now Pat. No. Des. 940,472.

DESCRIPTION

(51) **LOC (13) Cl.** **06-07**

FIG. 1 is a perspective view of a shelf combined with mirror showing the claimed design;

(52) **U.S. Cl.**

FIG. 2 is a front view of the claimed design shown in FIG. 1;

USPC **D6/309**

(58) **Field of Classification Search**

FIG. 3 is a rear view of the claimed design shown in FIG. 1;

USPC D6/300, 301, 302, 303, 304, 307, 308, D6/309, 310, 311, 312, 313, 314; D28/64.1-64.7; D26/56; D19/113; D11/79, 80, 86, 131; D23/270, 271, 286

FIG. 4 is a side view of the claimed design shown in FIG. 1;

CPC A45D 42/00; A45D 42/10; A45D 42/16; A45D 42/20; A45D 42/24; A47G 1/00; A47G 1/02; A47G 1/04; A47G 1/0622; B60J 3/0282

FIG. 5 is another side view of the claimed design shown in FIG. 1;

See application file for complete search history.

FIG. 6 is a top view of the claimed design shown in FIG. 1; and,

(56) **References Cited**

FIG. 7 is a bottom view of the claimed design shown in FIG. 1.

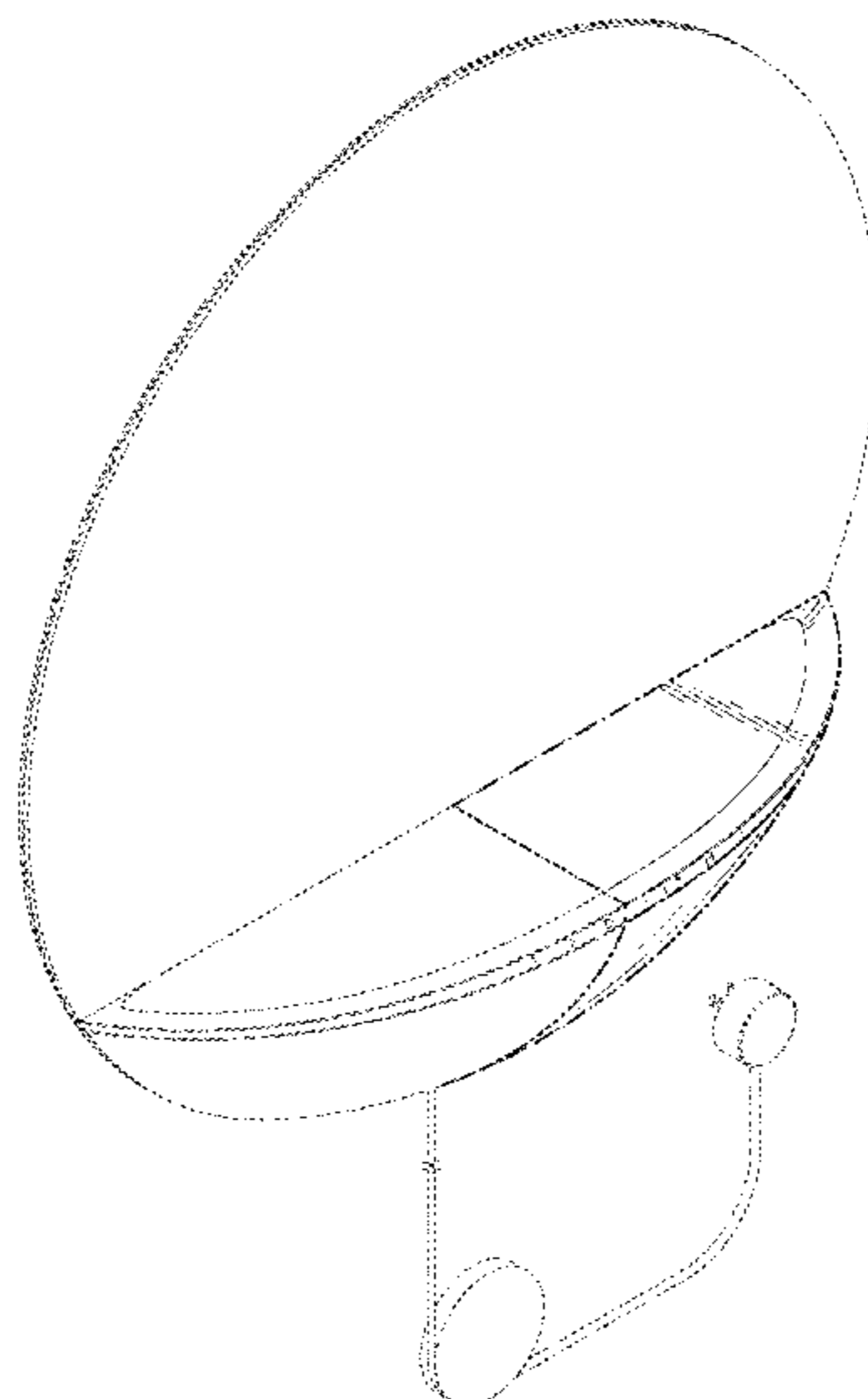
U.S. PATENT DOCUMENTS

The broken lines in the figures are for the purpose of illustrating portions of the shelf combined with mirror, which form no part of the claimed design. The additional dash-dot broken lines show boundaries and form no part of the claimed design.

D397,556 S 9/1998 Yisrael
D483,574 S 12/2003 Wanek et al.
D529,724 S 10/2006 Mohundro

(Continued)

1 Claim, 5 Drawing Sheets



(56)

References Cited

U.S. PATENT DOCUMENTS

D562,571 S	2/2008	Pitot	
D566,974 S	4/2008	Lee	
D636,611 S	4/2011	Duma	
D664,369 S	7/2012	Duma	
D680,755 S	4/2013	Gilboe et al.	
D688,883 S	9/2013	Gilboe et al.	
D689,701 S	9/2013	Mischel, Jr. et al.	
D711,874 S	8/2014	Cope	
D719,747 S	12/2014	Mischel, Jr. et al.	
D923,946 S	7/2021	Flaig et al.	
D940,472 S *	1/2022	LeTourneau D6/309

OTHER PUBLICATIONS

Wall-mounted mirror [online], [site visited Aug. 25, 2021], Available from internet, URL: <<https://www.archiexpo.com/prod/marks-m-sia/product-151150-2198867.html>> (Year: 2021).*

Studio Besau Marguerre, Iridescent Copper, <https://www.besau-marguerre.de/iridescent-copper/>(2013), retrieved Sep. 19, 2022, pp. 1-13.

Design Public Danish Design Store, Horizon Mirror—Round, KaschKasch for Normann Copenhagen, <https://www.designpublic.com/products/kaschkasch-horizon-mirror-round-normann-copenhagen> (2016), retrieved Sep. 19, 2022, pp. 1-6.

Salts Mill, Pocket Mirror (large) des. Daniel Schofield for Woud, <https://saltsmillshop.co.uk/products/pocket-mirror-des-daniel-schofield-for-woud> (2017) retrieved Sep. 19, 2022, pp. 1-3.

Whiteline, World Mod Occasional Vanita 47" Mirror and console, matte black edges Walnut, https://www.amazon.com/exec/obidos/ASIN/B0150NJOKO/bestlet20-20/?language=en_US, Date First Available on amazon.com Jul. 25, 2017, retrieved Sep. 19, 2022, pp. 1-4.

S. Ford Furnishings, Vanita White 47" Mirror, <https://www.sfordfurnishings.com/product-page/vanita-white-mirror> (2017), retrieved Sep. 19, 2022, pp. 1-2.

Homethangs.com, Hallstands: Finding The Right Setup For Your Entryway Or Mudroom, Posted on Oct. 14, 2017, <https://m.homethangs.com/blog/?s=Entryway+or+mudroom> retrieved Sep. 19, 2022, pp. 1-9.

H. Edit Australia, Trend: Round Mirrors Round Mirror RoundUp Posted Aug. 14, 2018, <https://heditaustralia.wordpress.com/2018/08/14/trend-round-mirrors/> retrieved Sep. 19, 2022, pp. 1-7.

Archproducts, Ersa Milo Round Mirror With Metal Shelf, Designer Burak Koçak, https://www.archproducts.com/en/products/ersa-round-mirror-with-metal-shelf-milo_481625 (2019), retrieved Sep. 19, 2022, pp. 1-5.

Freedom Furniture, Bombero Mirror, <https://www.freedomfurniture.co.nz/product/24299473> (2019) retrieved Sep. 19, 2022, pp. 1-4.

Homely., Ogee Wall Decor Gold, <https://homelybrand.com/products/ogee-wall-decor-gold-l> (2019) retrieved Sep. 19, 2022, pp. 1-7.

Skogen, Spiegel Feyza Round Brass—White Label Living, <https://www.skogen.nl/p/spiegel-feyza-round-brass-white-label-living/> (2019) retrieved Sep. 19, 2022, pp. 1-10.

Royaldesign.se, Pie B Väggspegel, Svart Mirror, 60cm, <https://royaldesign.se/pie-b-vaggspegel-60cm> (2019) retrieved Sep. 19, 2022, pp. 1-10.

* cited by examiner

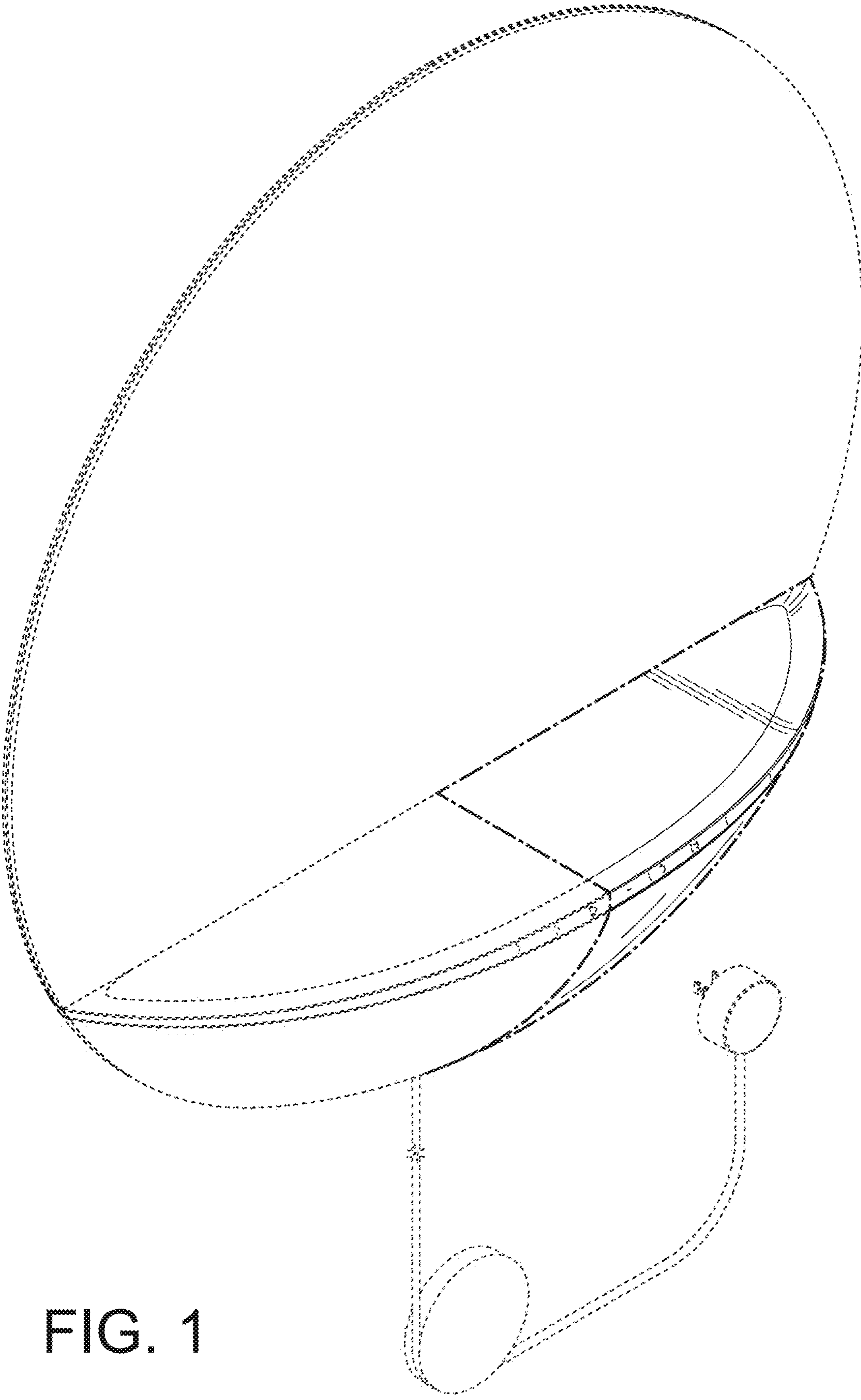


FIG. 1

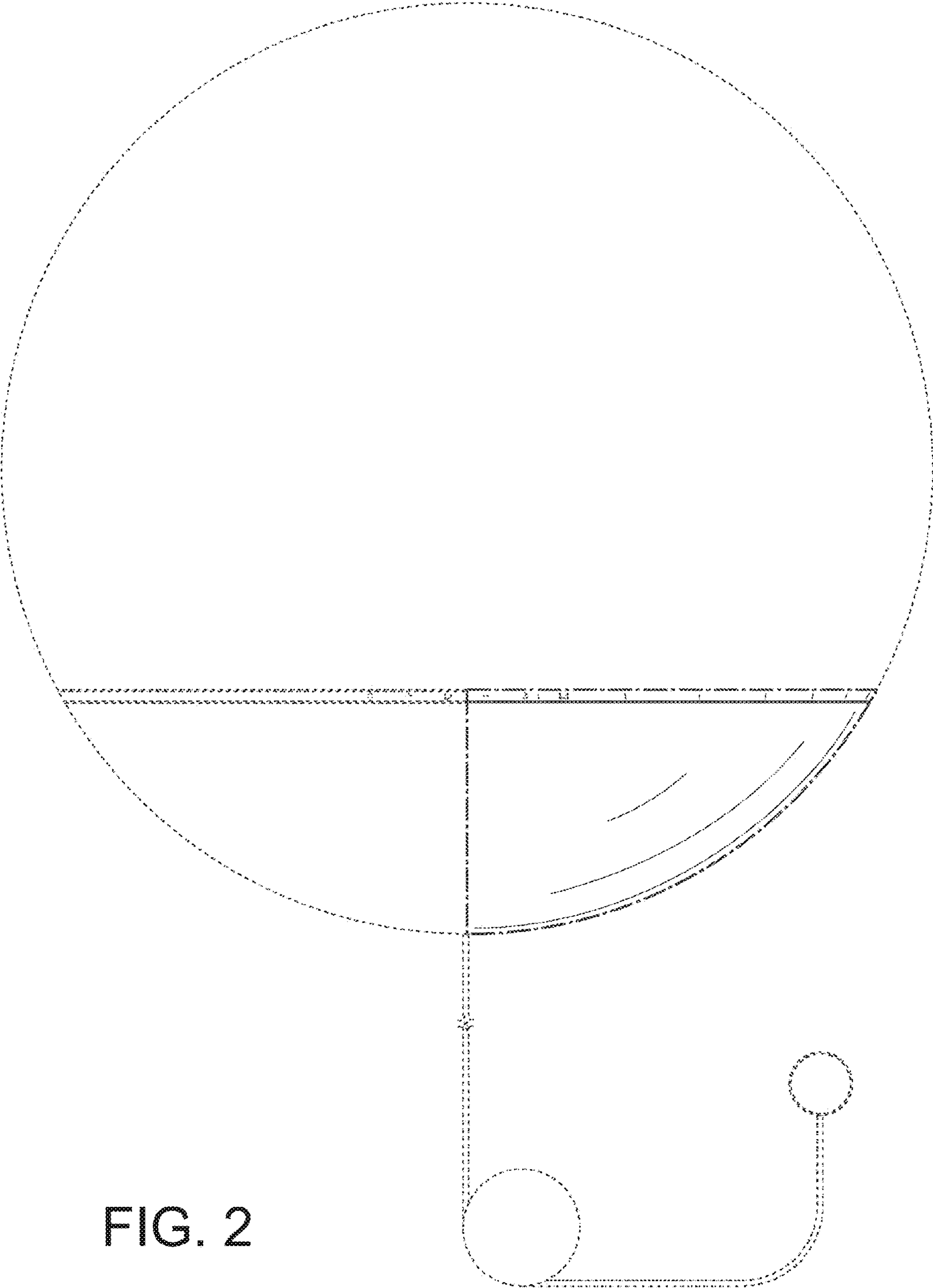


FIG. 2

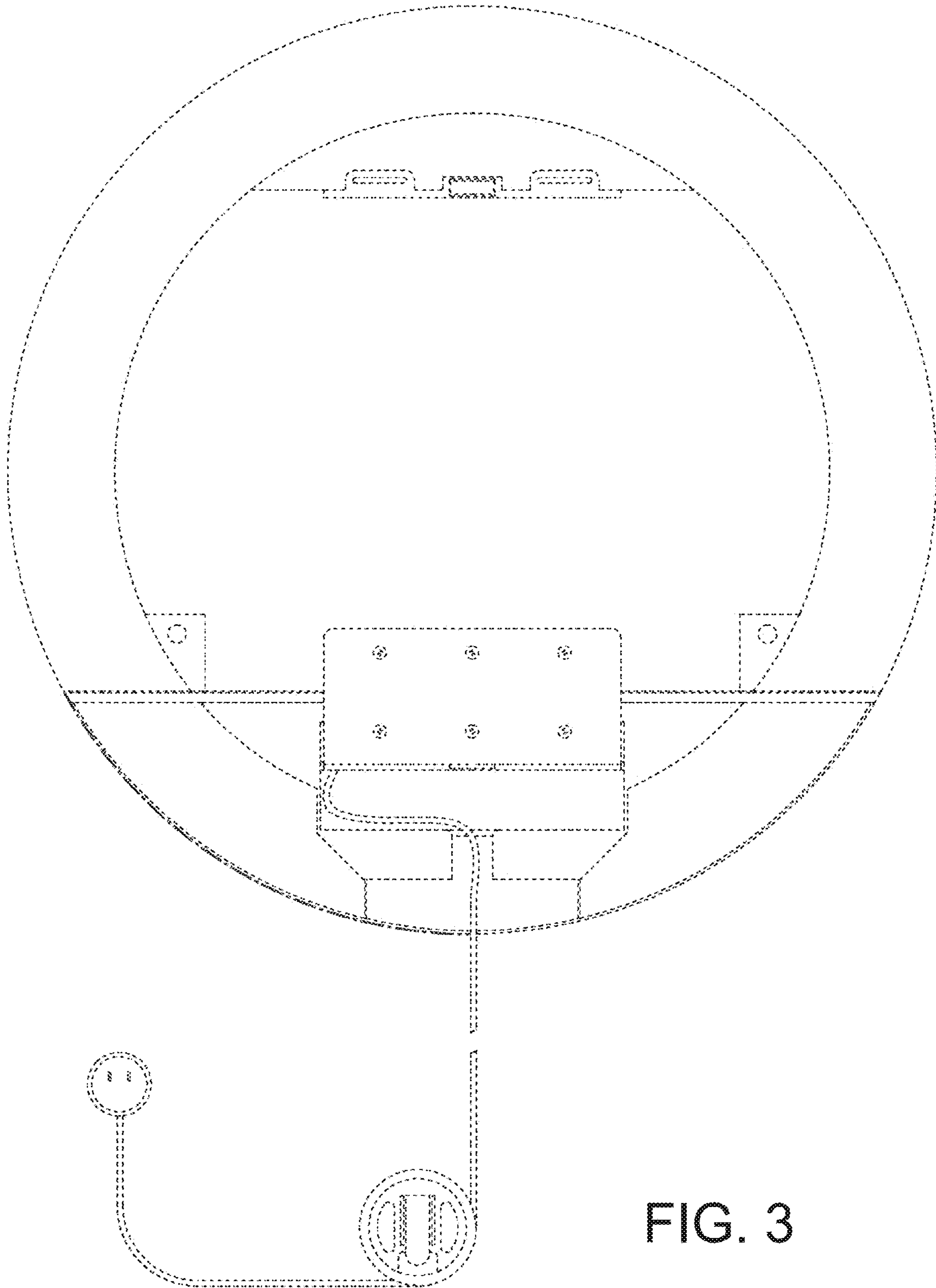


FIG. 3

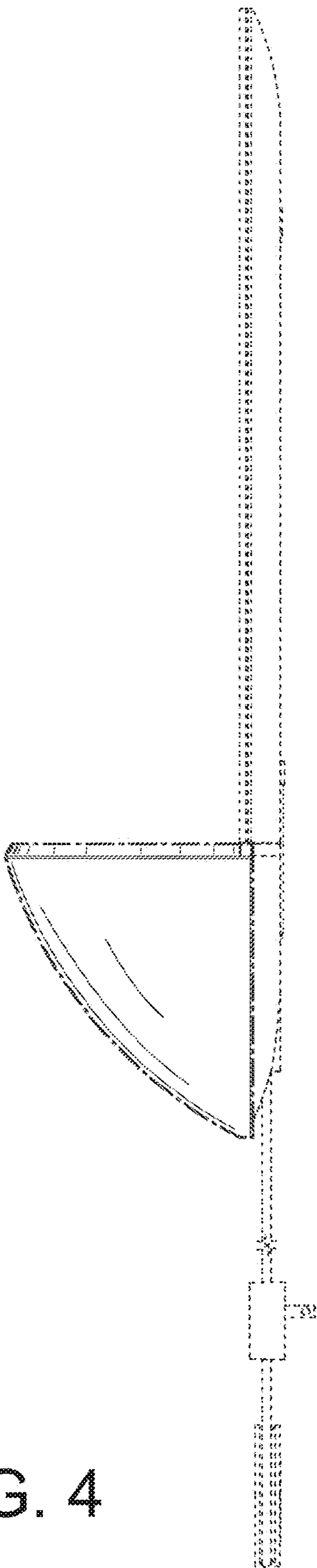


FIG. 4

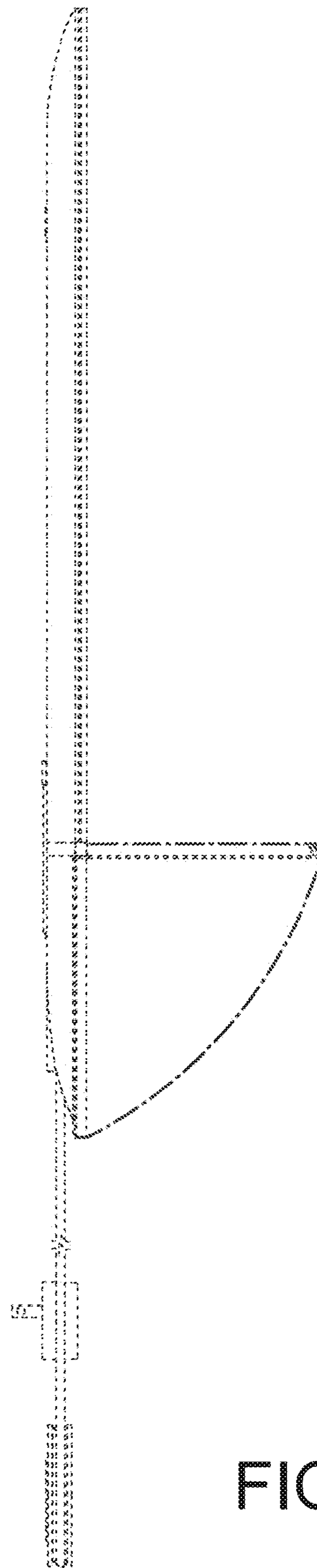


FIG. 5

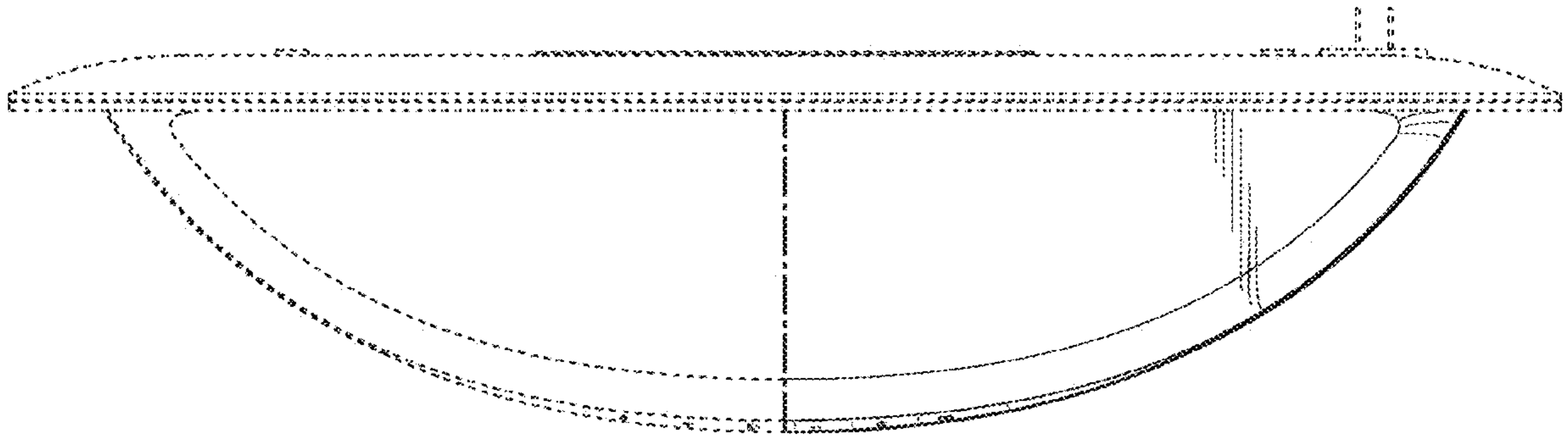


FIG. 6

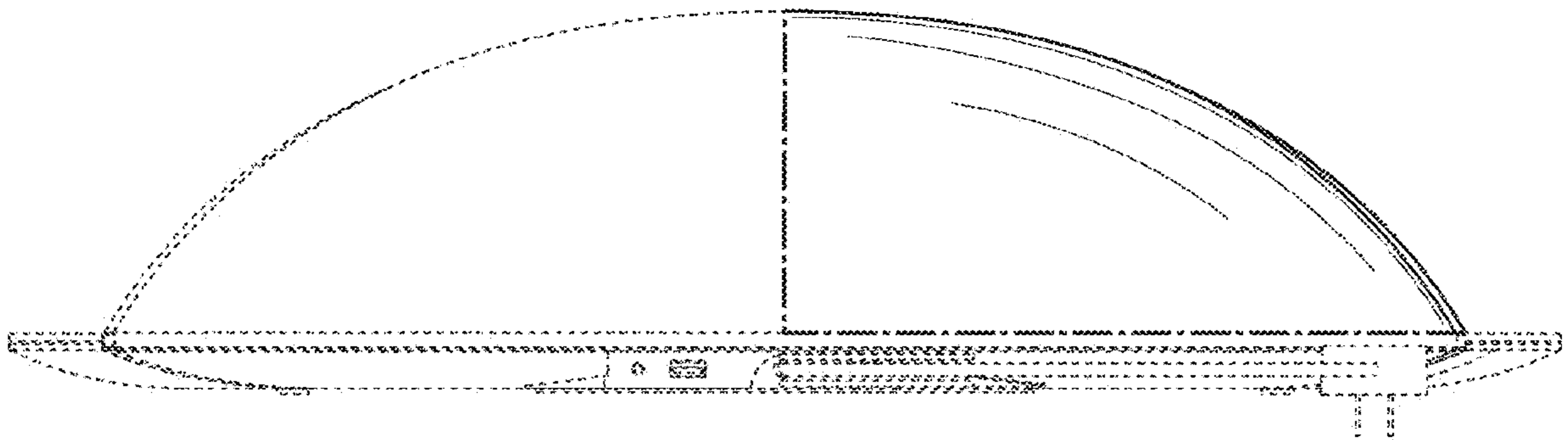


FIG. 7