



US00D969498S

(12) **United States Design Patent** (10) **Patent No.:** **US D969,498 S**
Morrison (45) **Date of Patent:** **** Nov. 15, 2022**

(54) **PAINT APPLICATOR**

(71) Applicant: **Ronald Morrison**, Scottsdale, AZ (US)

(72) Inventor: **Ronald Morrison**, Scottsdale, AZ (US)

(**) Term: **15 Years**

(21) Appl. No.: **29/741,075**

(22) Filed: **Jul. 9, 2020**

(51) **LOC (13) Cl.** **04-01**

(52) **U.S. Cl.**
USPC **D4/138; D4/121**

(58) **Field of Classification Search**

USPC D4/100, 102, 114, 115, 116, 117, 118,
D4/119, 120, 121, 122, 123, 124, 125,
(Continued)

(56) **References Cited**

U.S. PATENT DOCUMENTS

139,887 A * 6/1873 Gorman A46B 3/12
15/191.1
3,081,475 A * 3/1963 Vosbikian A47L 13/46
15/154

(Continued)

Primary Examiner — Karen E Eldridge Powers

(74) *Attorney, Agent, or Firm* — Adam R. Stephenson,
Ltd.

(57) **CLAIM**

The ornamental design for a paint applicator, as shown and described.

DESCRIPTION

FIG. 1 is a front, top and right-side perspective view of the handle of a first embodiment of a paint applicator, shown separately for clarity of illustration;

FIG. 2 is a front elevation view of the handle of FIG. 1;

FIG. 3 is a rear elevation view of the handle of FIG. 1;

FIG. 4 is a left-side elevation view of the handle of FIG. 1;

FIG. 5 is a right-side elevation view of the handle of FIG. 1;

FIG. 6 is a top plan view of the handle of FIG. 1;

FIG. 7 is a bottom plan view of the handle of FIG. 1;

FIG. 8 is a front, top and right-side perspective view of the insert of a first embodiment of a paint applicator, shown separately for clarity of illustration;

FIG. 9 is a front elevation view of the insert of FIG. 8;

FIG. 10 is a rear elevation view of the insert of FIG. 8;

FIG. 11 is a left-side elevation view of the insert of FIG. 8;

FIG. 12 is a right-side elevation view of the insert of FIG. 8;

FIG. 13 is a top plan view of the insert of FIG. 8;

FIG. 14 is a bottom plan view of the insert of FIG. 8;

FIG. 15 is a front, top and right-side perspective view of a first embodiment of a paint applicator showing the handle coupled to the insert;

FIG. 16 is a front, top and right-side perspective view of a first embodiment of the paint applicator showing the handle separated from the insert;

FIG. 17 is a front, top and right-side perspective view of the handle of a second embodiment of a paint applicator, shown separately for clarity of illustration;

FIG. 18 is a front elevation view of the handle of FIG. 17;

FIG. 19 is a rear elevation view of the handle of FIG. 17;

FIG. 20 is a left-side elevation view of the handle of FIG. 17;

FIG. 21 is a right-side elevation view of the handle of FIG. 17;

FIG. 22 is a top plan view of the handle of FIG. 17;

FIG. 23 is a bottom plan view of the handle of FIG. 17;

FIG. 24 is a front, top and right-side perspective view of the insert of a second embodiment of a paint applicator, shown separately for clarity of illustration;

FIG. 25 is a front elevation view of the insert of FIG. 24;

FIG. 26 is a rear elevation view of the insert of FIG. 24;

FIG. 27 is a left-side elevation view of the insert of FIG. 24;

FIG. 28 is a right-side elevation view of the insert of FIG. 24;

FIG. 29 is a top plan view of the insert of FIG. 24;

FIG. 30 is a bottom plan view of the insert of FIG. 24;

FIG. 31 is a front, top and right-side perspective view of the second embodiment of the paint applicator showing the handle coupled to the insert;

(Continued)

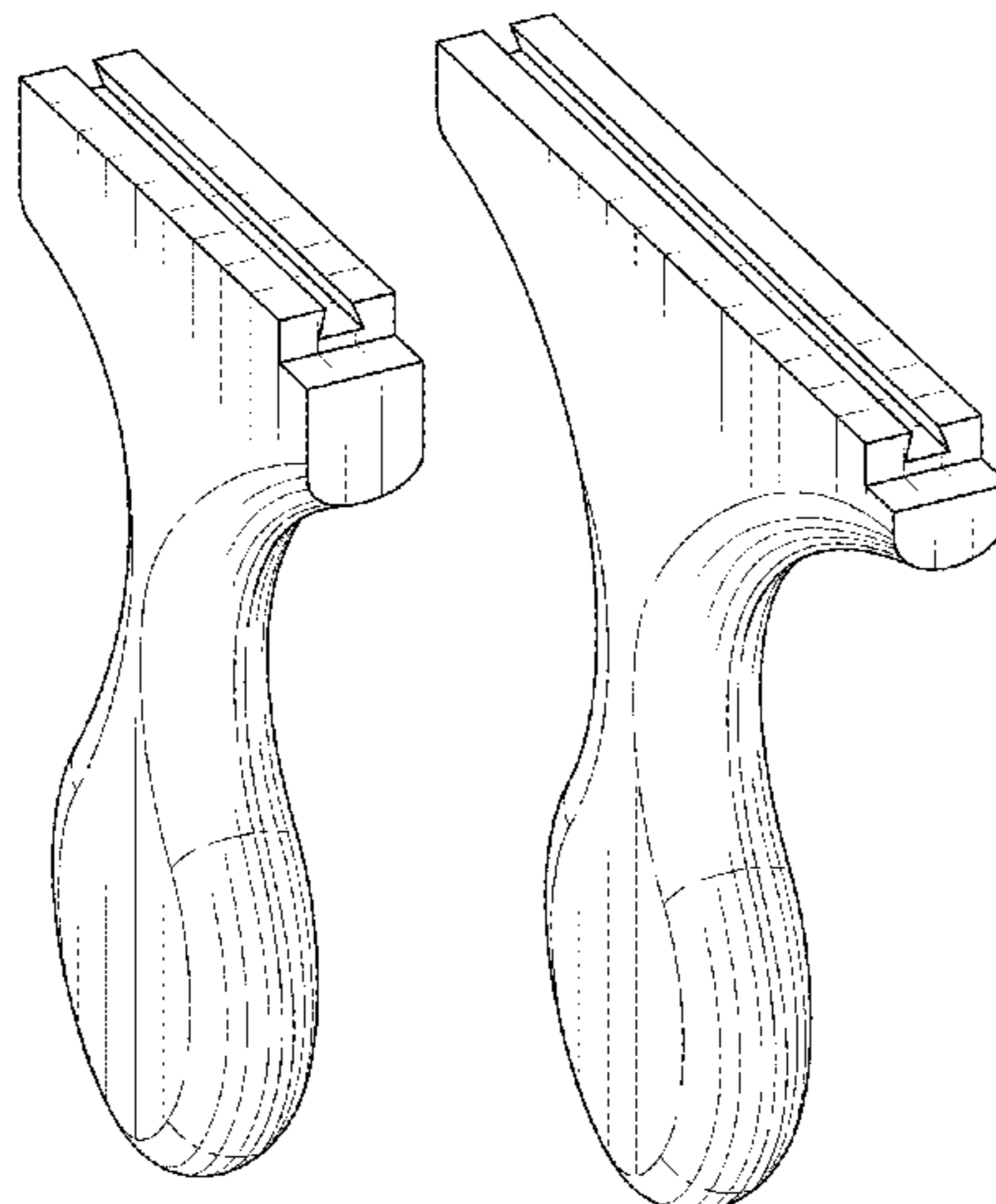


FIG. 32 is a front, top and right-side perspective view of the second embodiment of the paint applicator showing the handle separated from the insert;
 FIG. 33 is a front, top and right-side perspective view of the handle of a third embodiment of a paint applicator, shown separately for clarity of illustration;
 FIG. 34 is a front elevation view of the handle of FIG. 33;
 FIG. 35 is a rear elevation view of the handle of FIG. 33;
 FIG. 36 is a left-side elevation view of the handle of FIG. 33;
 FIG. 37 is a right-side elevation view of the handle of FIG. 33;
 FIG. 38 is a top plan view of the handle of FIG. 33;
 FIG. 39 is a bottom plan view of the handle of FIG. 33;
 FIG. 40 is a front, top and right-side perspective view of the insert of a third embodiment of a paint applicator, shown separately for clarity of illustration;
 FIG. 41 is a front elevation view of the insert of FIG. 40;
 FIG. 42 is a rear elevation view of the insert of FIG. 40;
 FIG. 43 is a left-side elevation view of the insert of FIG. 40;
 FIG. 44 is a right-side elevation view of the insert of FIG. 40;
 FIG. 45 is a top plan view of the insert of FIG. 40;
 FIG. 46 is a bottom plan view of the insert of FIG. 40;
 FIG. 47 is a front, top and right-side perspective view of a third embodiment of the paint applicator showing the handle coupled to the insert; and,
 FIG. 48 is a front, top and right-side perspective view of a third embodiment of the paint applicator showing the handle separated from the insert.

All broken lines represent unclaimed features of the article to which the design is applied.

1 Claim, 21 Drawing Sheets

(58) **Field of Classification Search**

USPC D4/126, 127, 128, 129, 130, 131, 132,
 D4/133, 134, 135, 136, 137, 138, 199;
 D32/35, 40, 42, 50, 51

CPC A46B 5/02; A46B 5/021; A46B 2200/20;
 A46B 2200/202; A46B 7/04; A46B
 7/044; A46B 15/0093

See application file for complete search history.

(56)

References Cited

U.S. PATENT DOCUMENTS

3,897,603	A *	8/1975	Brennenstuhl	B05C 17/00 15/244.1
D287,539	S *	12/1986	Wilson	D32/50
5,084,931	A *	2/1992	Kuhlcke	A46B 7/04 15/244.1
6,332,235	B1 *	12/2001	Lye	A46B 7/04 15/176.1
D457,731	S *	5/2002	Isaac	D4/137
D466,699	S *	12/2002	Vaes	D4/138
D470,315	S *	2/2003	Tapley	D4/138
D475,203	S *	6/2003	Vaes	D4/138
D475,204	S *	6/2003	Vaes	D4/138
D601,809	S *	10/2009	Waksman	D4/138
D637,404	S *	5/2011	Wang	D4/137
D637,819	S *	5/2011	Arvinte	D4/138
D638,223	S *	5/2011	Arvinte	D4/138
8,595,883	B1 *	12/2013	Kern	A46B 5/02 15/176.1
D750,464	S *	3/2016	Sonne	D8/107
D756,662	S *	5/2016	Lambertson, Jr.	D4/138
D757,448	S *	5/2016	Lambertson, Jr.	D4/138
D773,829	S *	12/2016	Lambertson, Jr.	D4/138
D773,830	S *	12/2016	Lambertson, Jr.	D4/138
D840,121	S *	2/2019	Becattini, Jr.	D30/158
D854,836	S *	7/2019	Harrell	D4/118
D858,246	S *	9/2019	Lafond	D8/107
2002/0148058	A1 *	10/2002	Greenwood	A46B 7/04 15/176.1

* cited by examiner

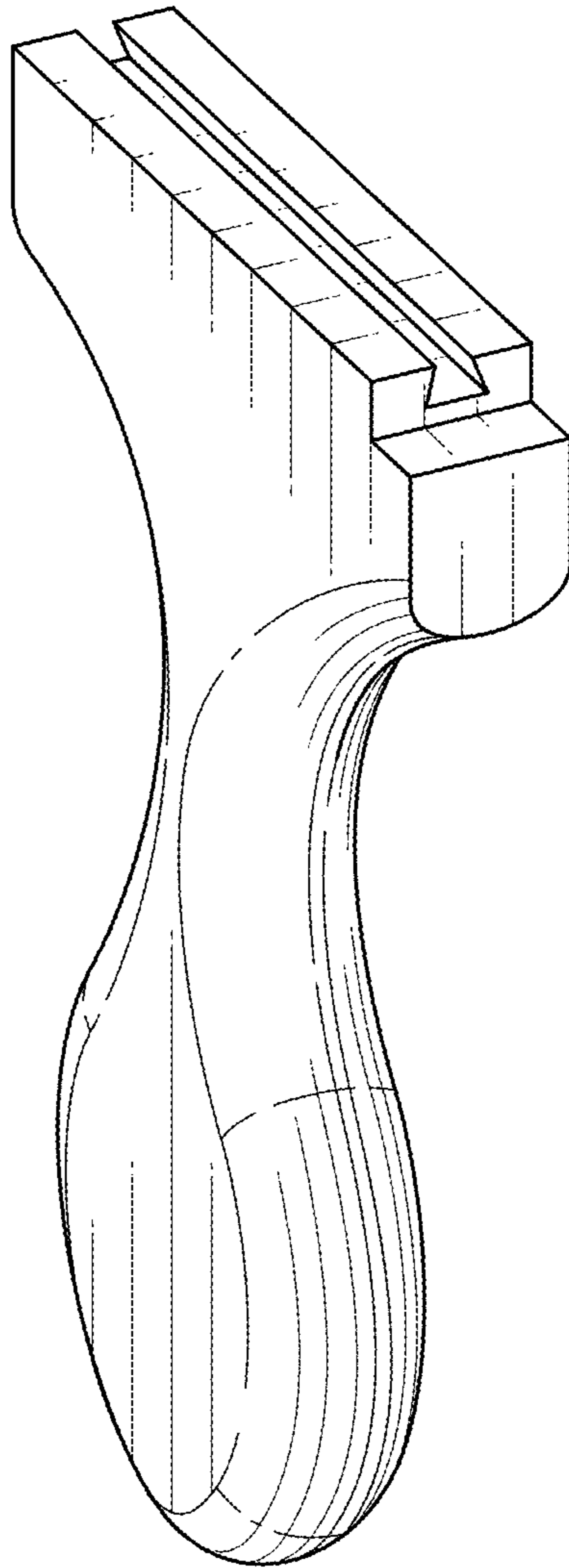


FIG. 1

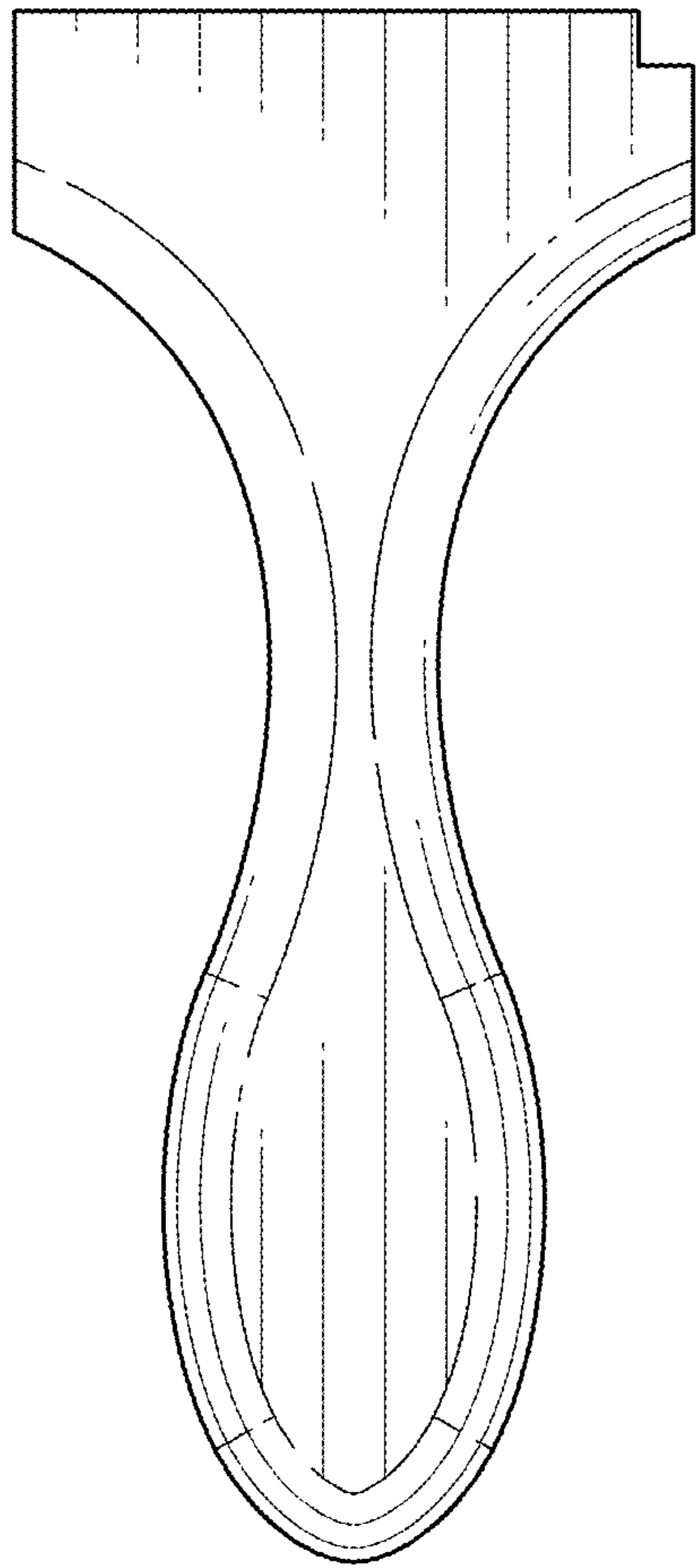


FIG. 2

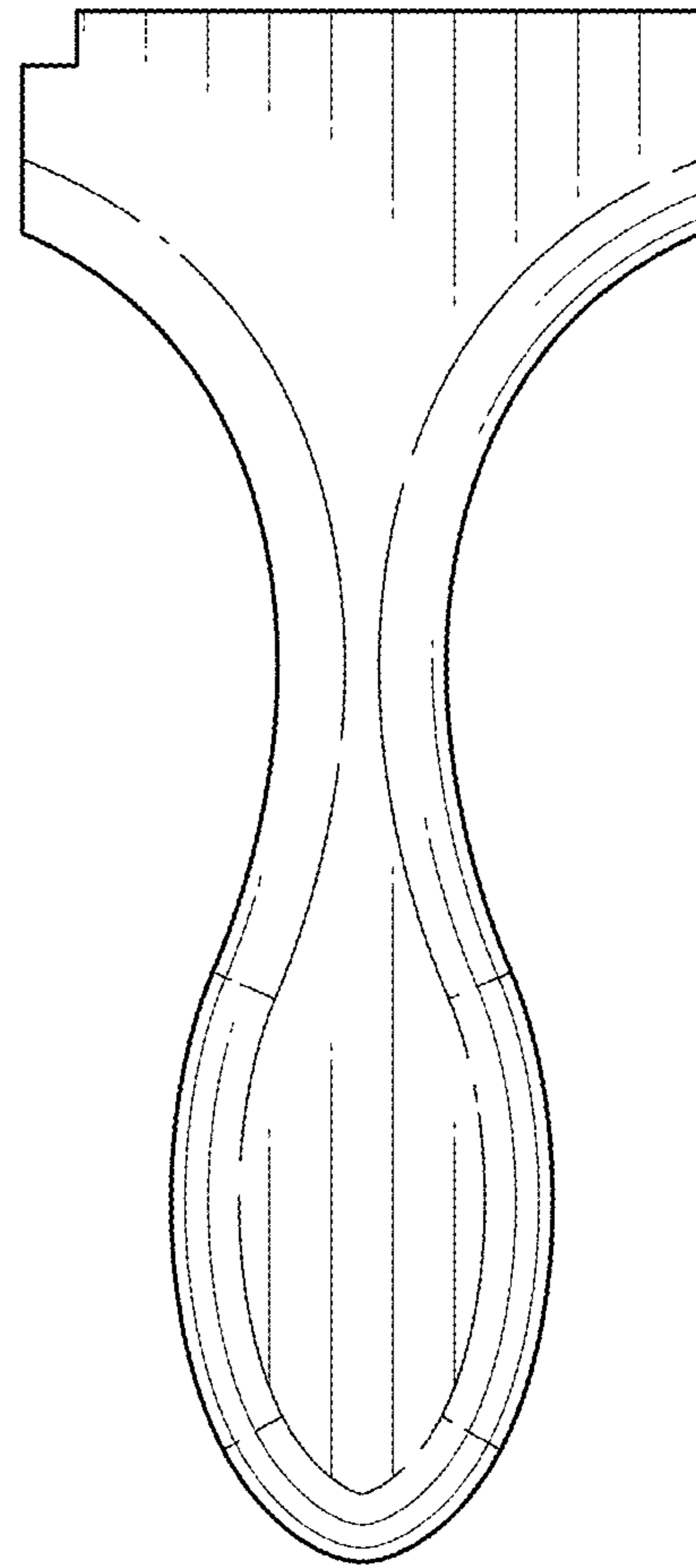


FIG. 3

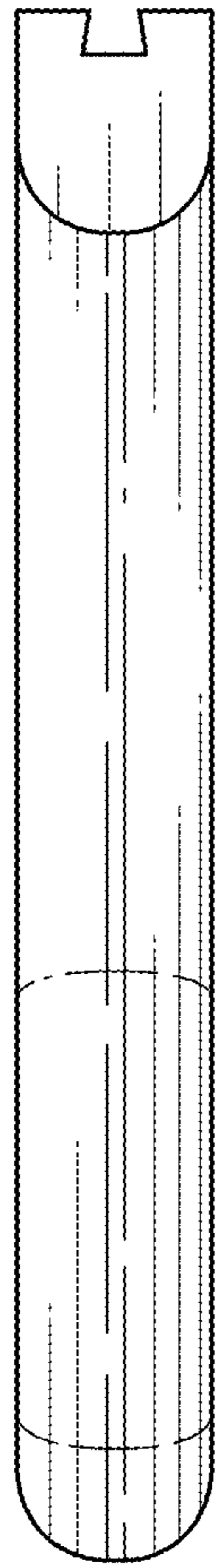


FIG. 4

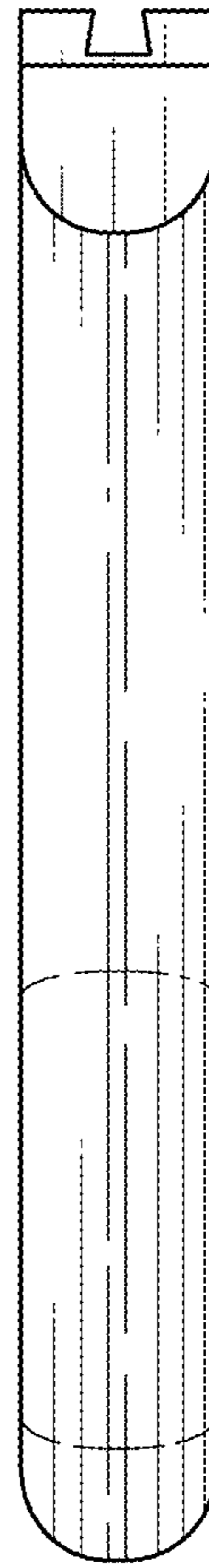


FIG. 5

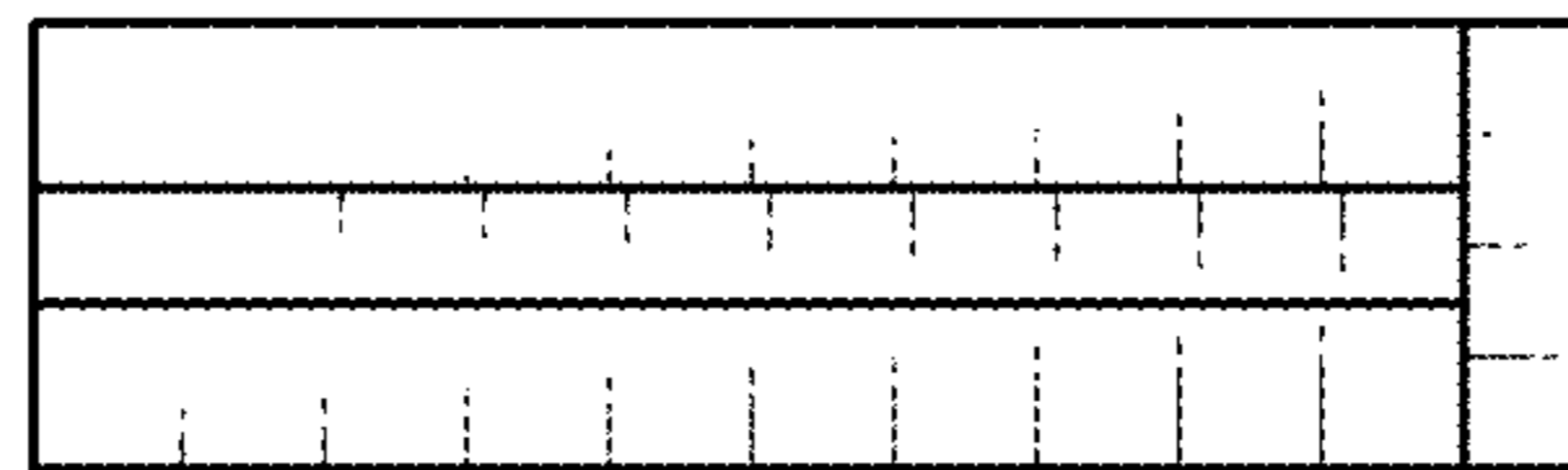


FIG. 6

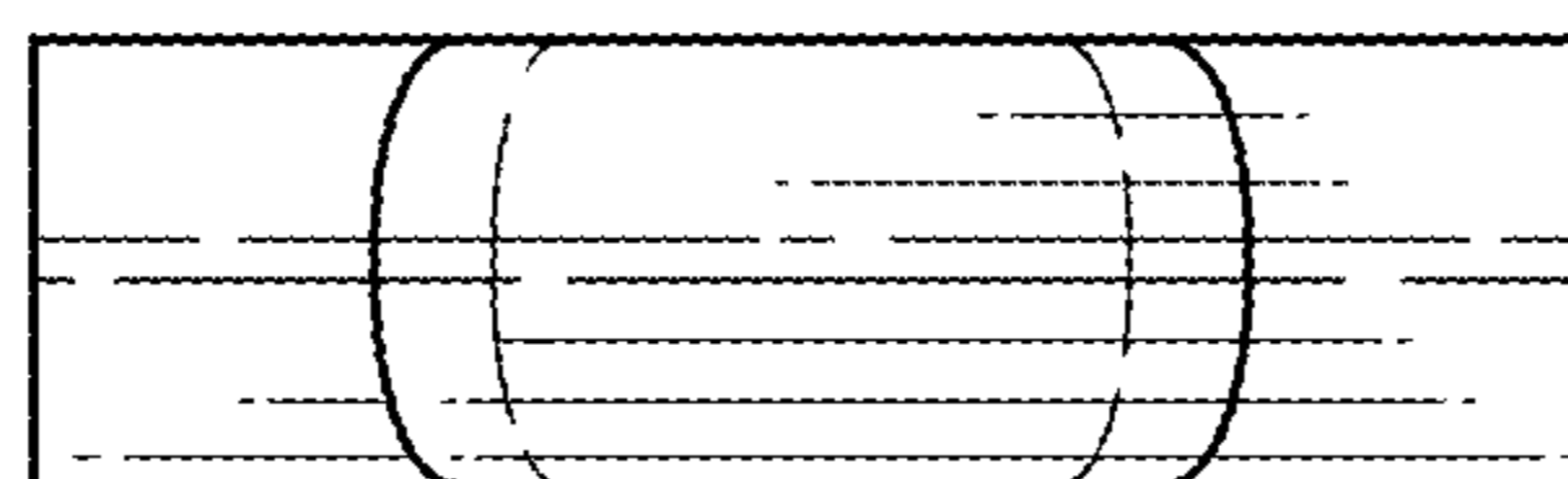


FIG. 7

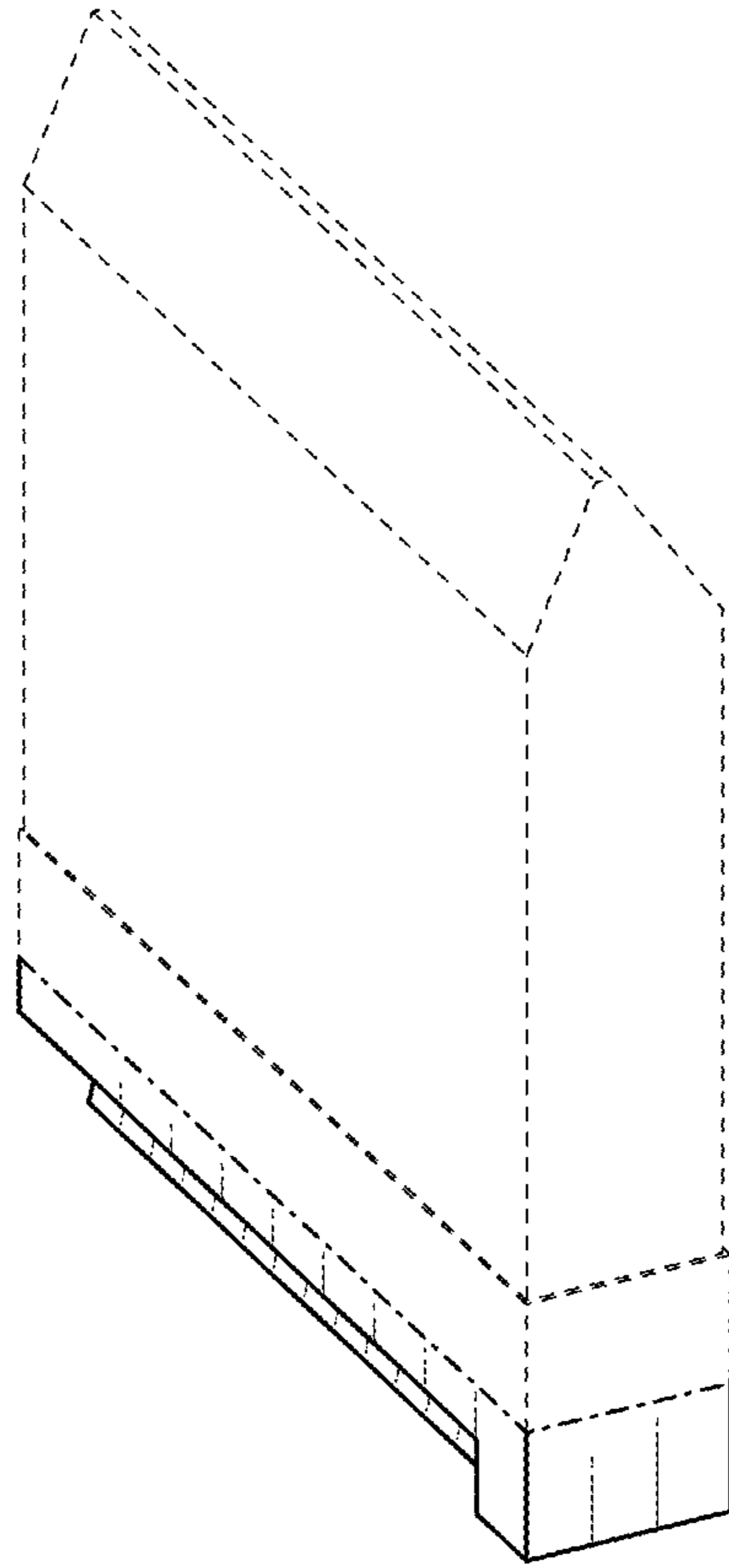


FIG. 8

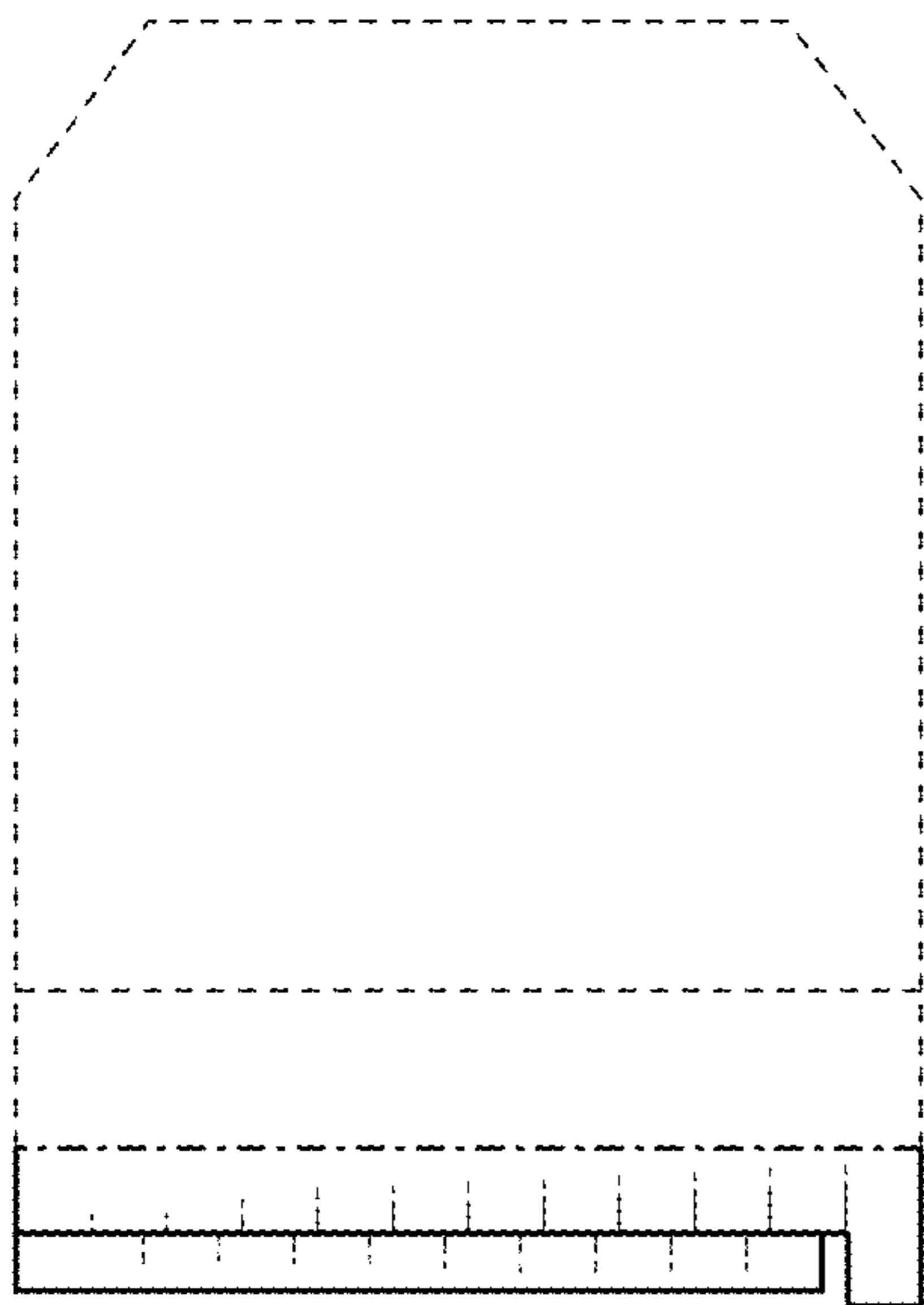


FIG. 9

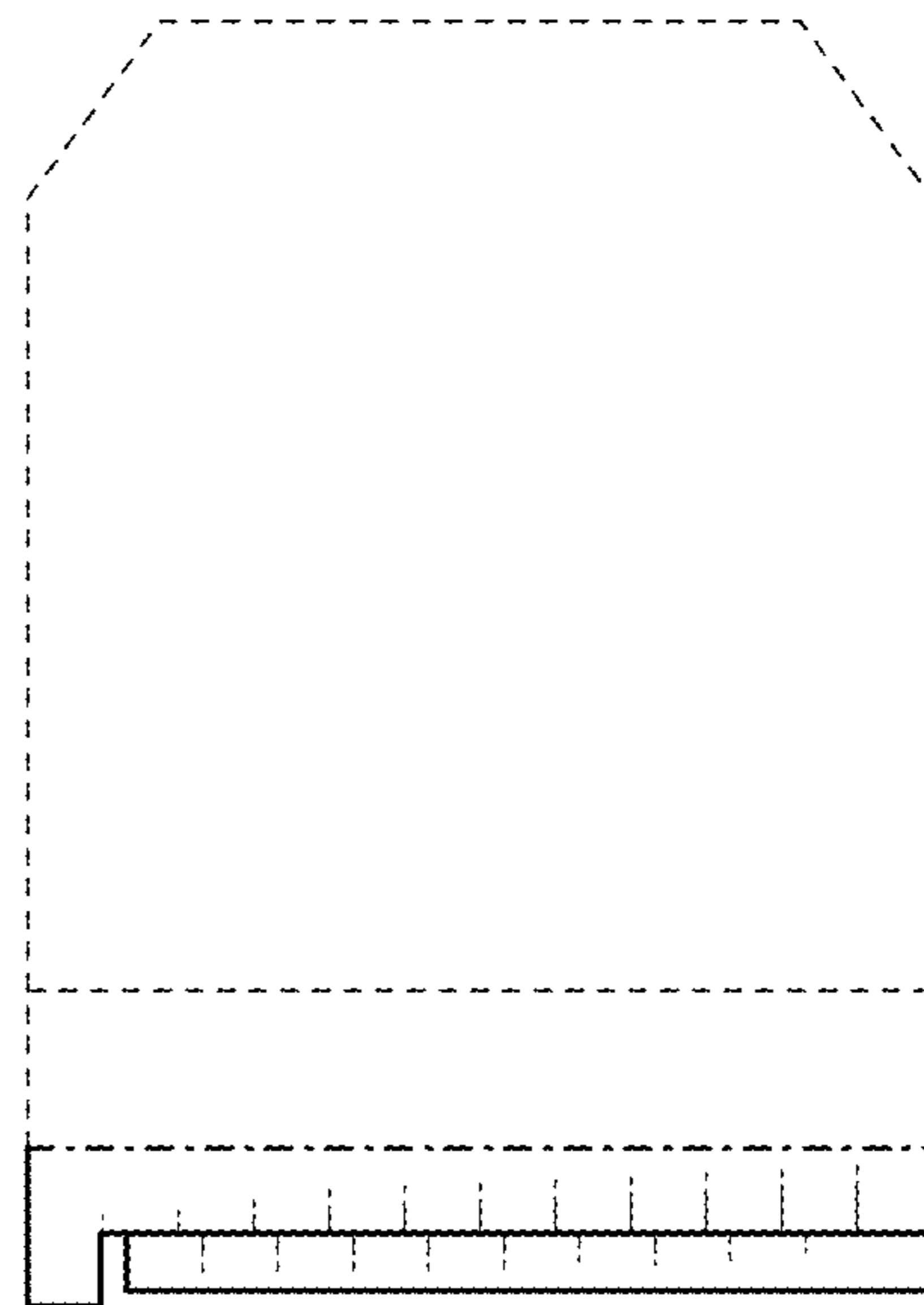


FIG. 10



FIG. 11

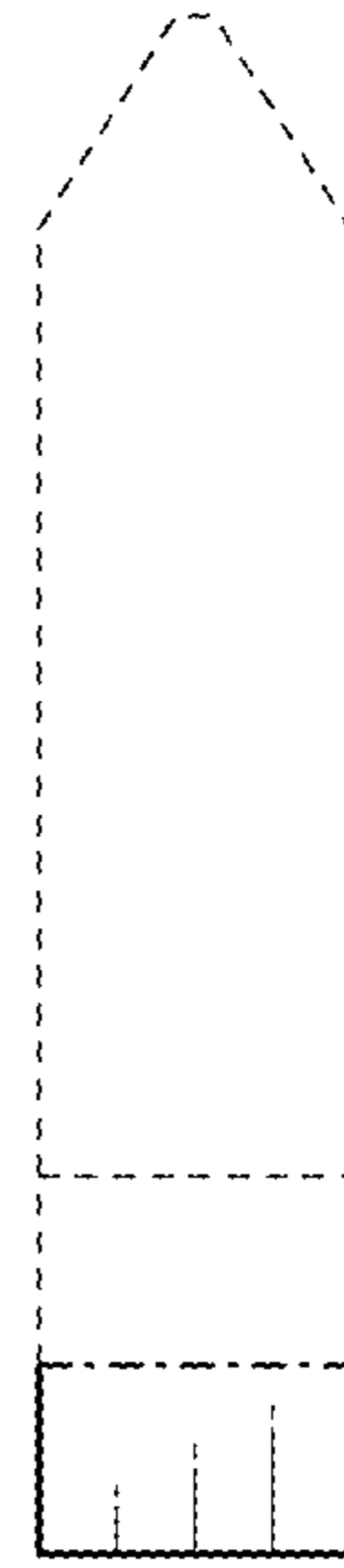


FIG. 12

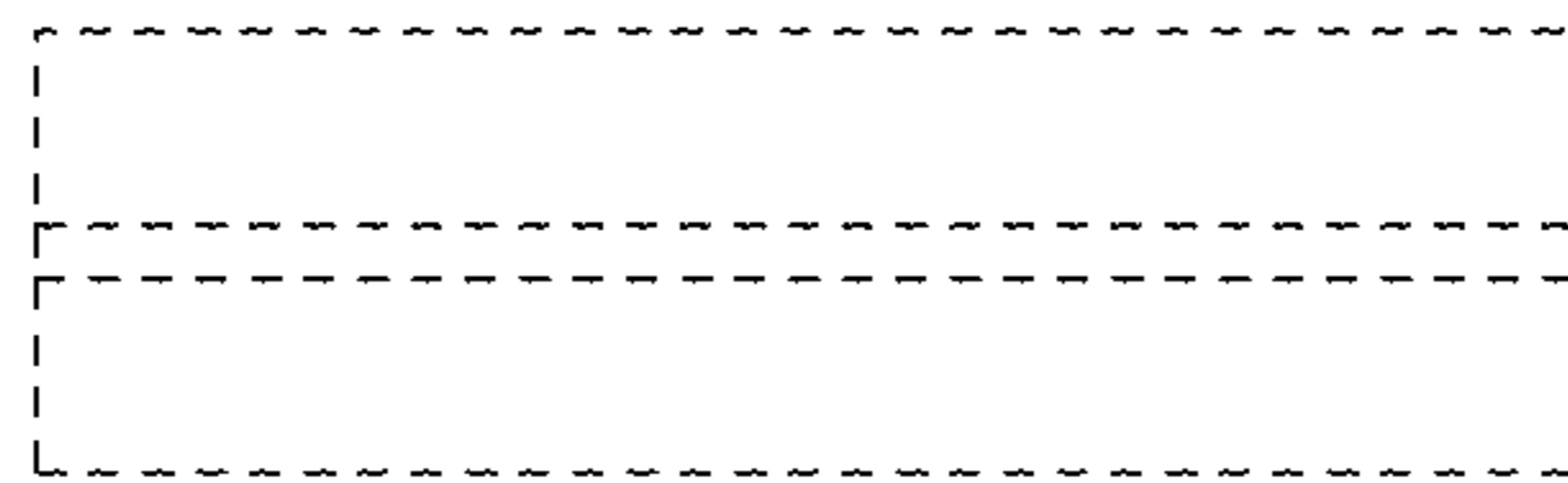


FIG. 13

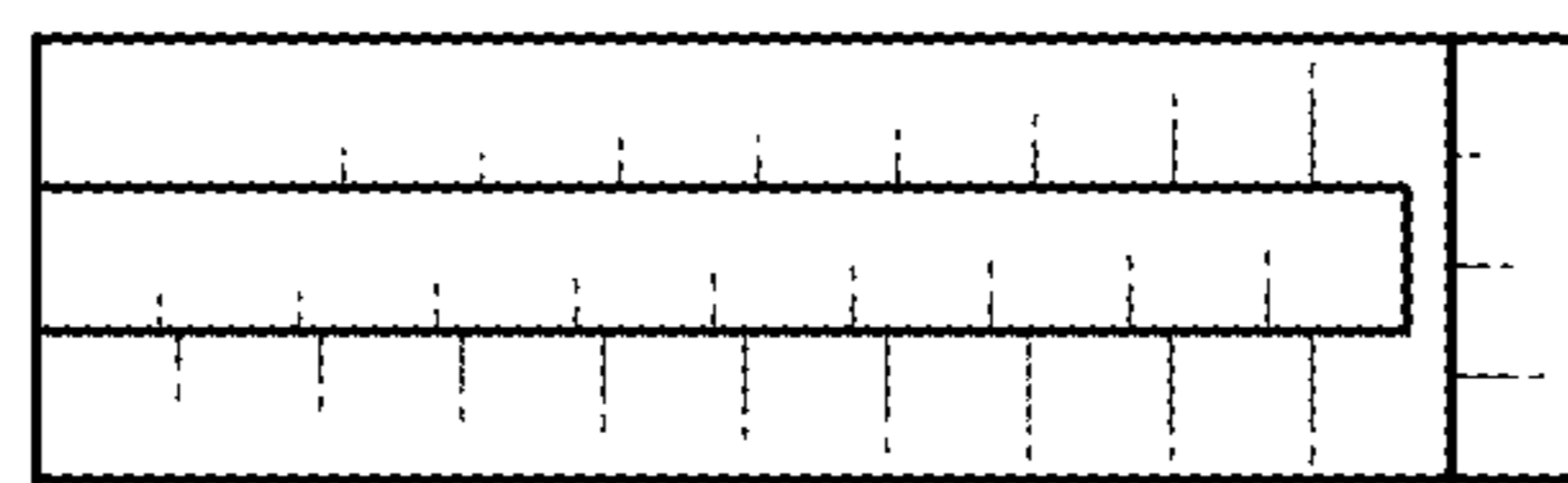


FIG. 14

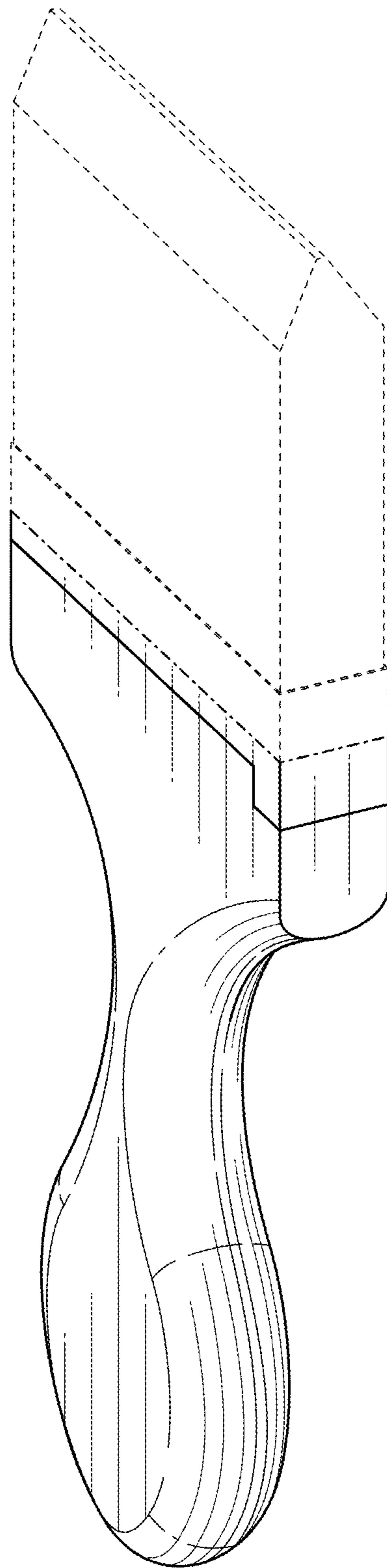


FIG. 15

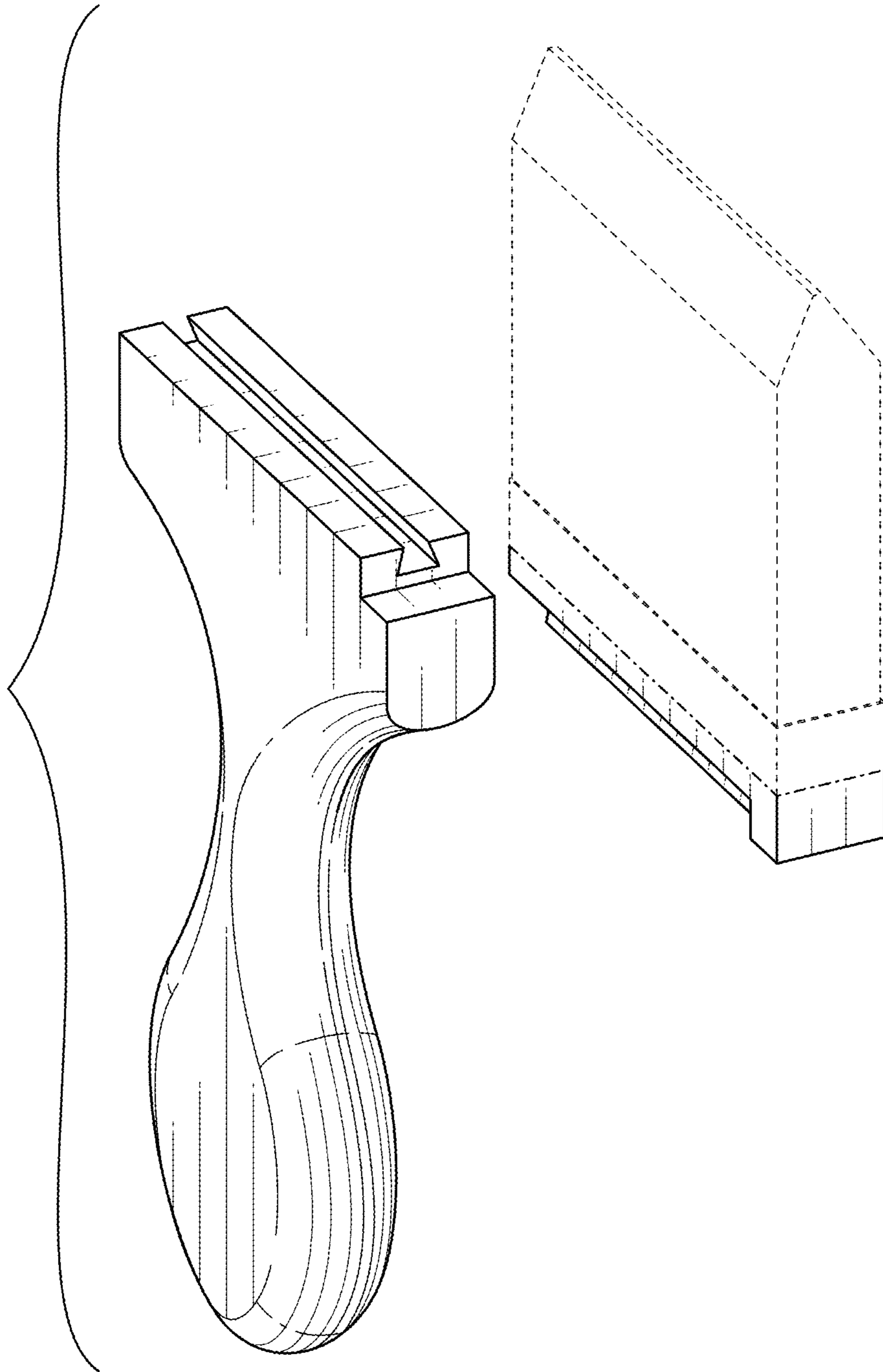


FIG. 16

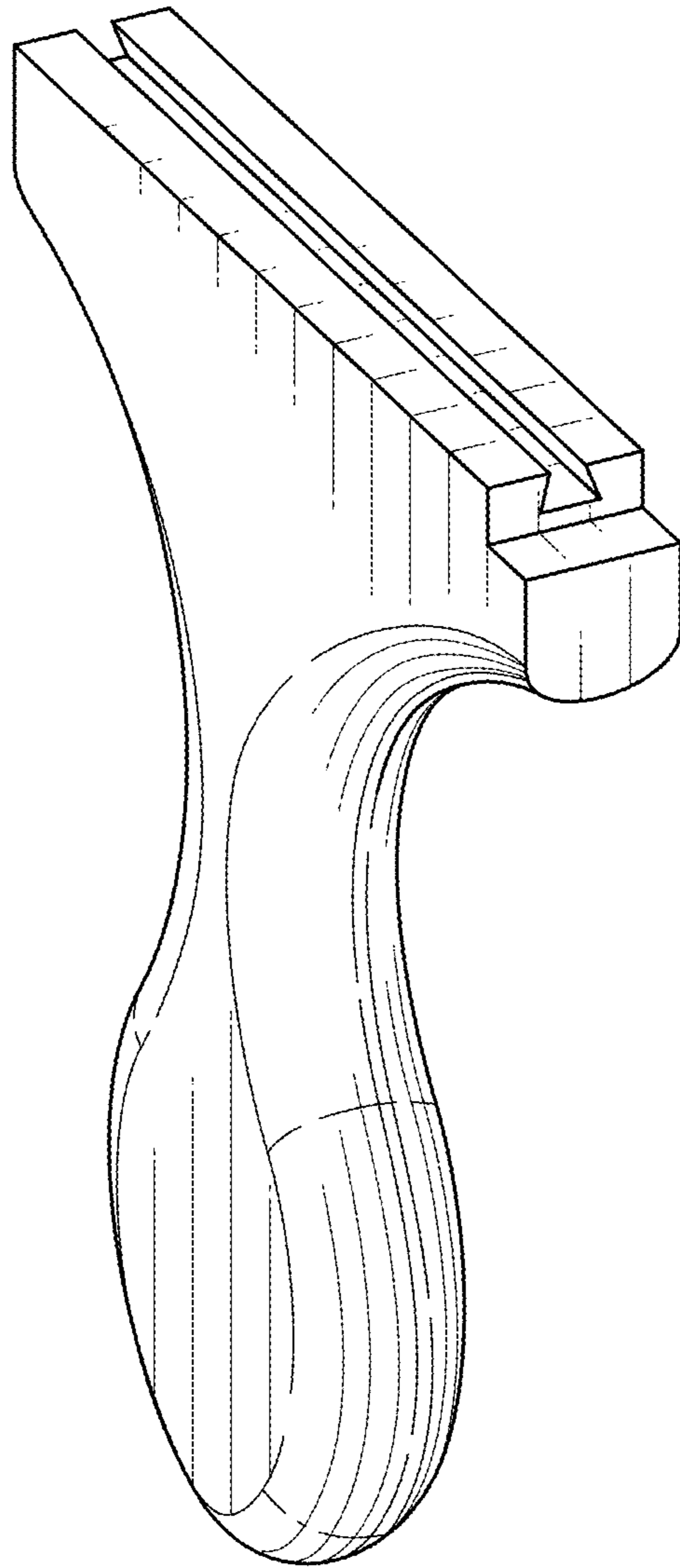


FIG. 17

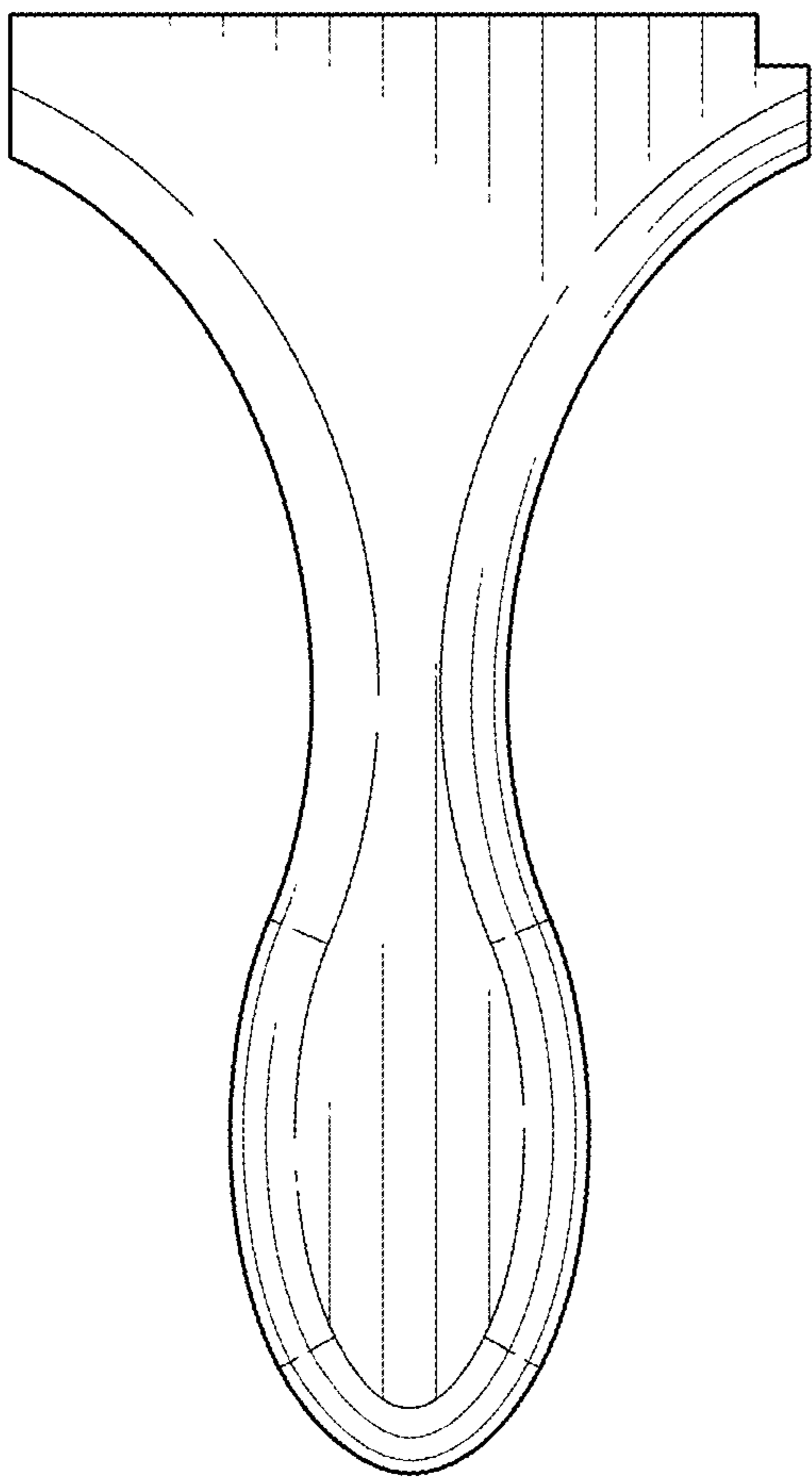


FIG. 18

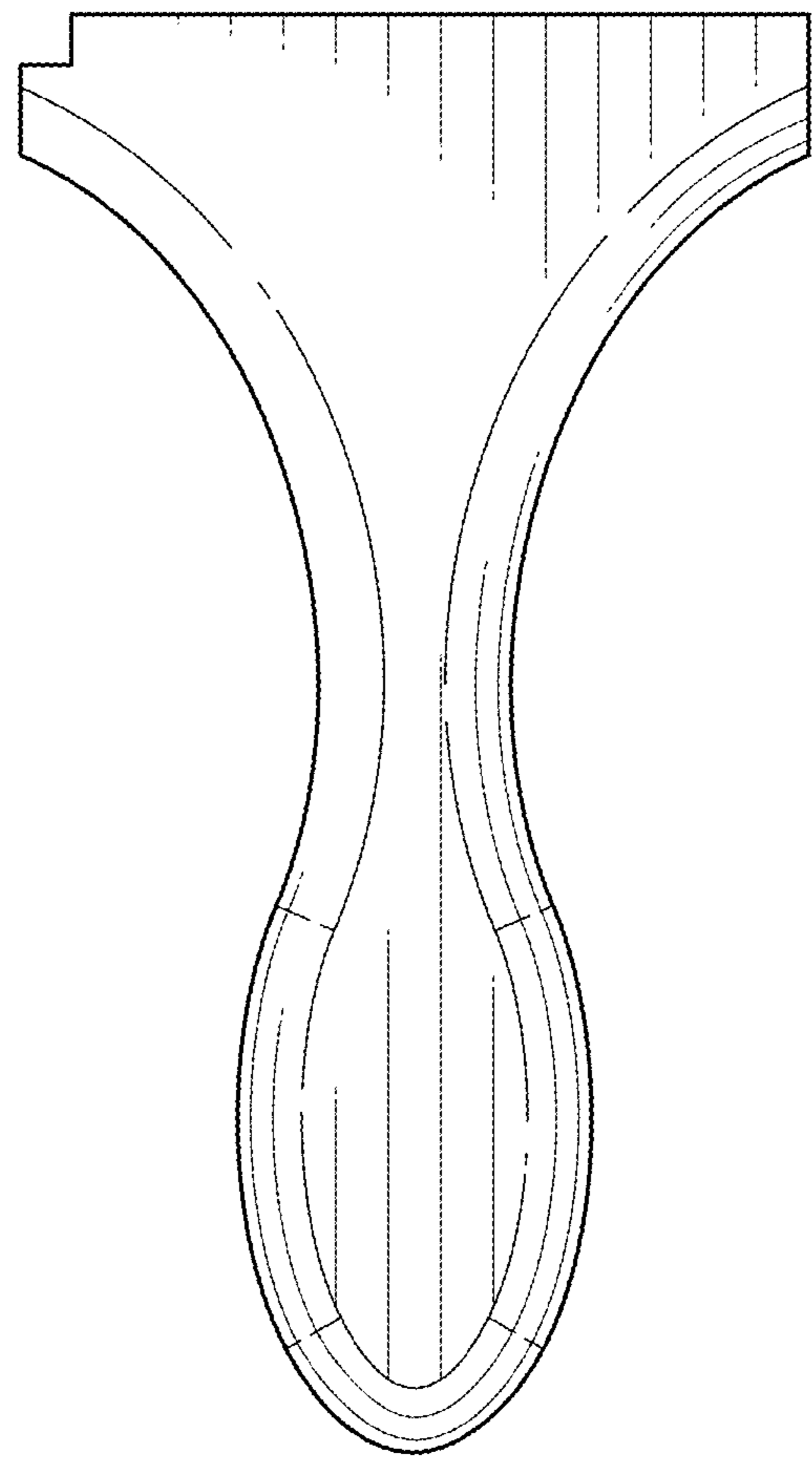


FIG. 19

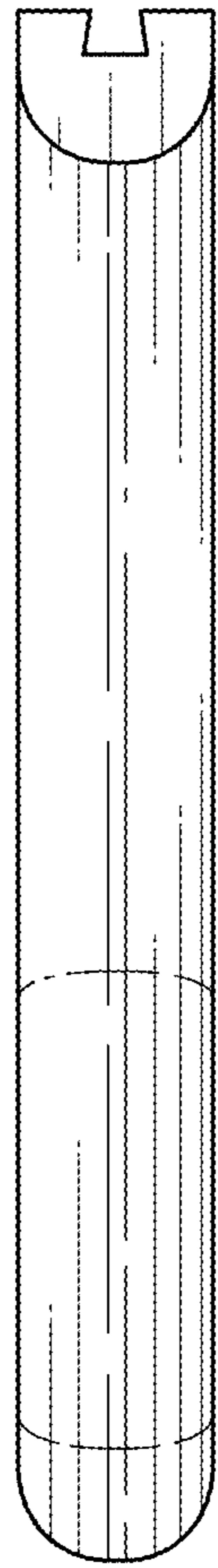


FIG. 20

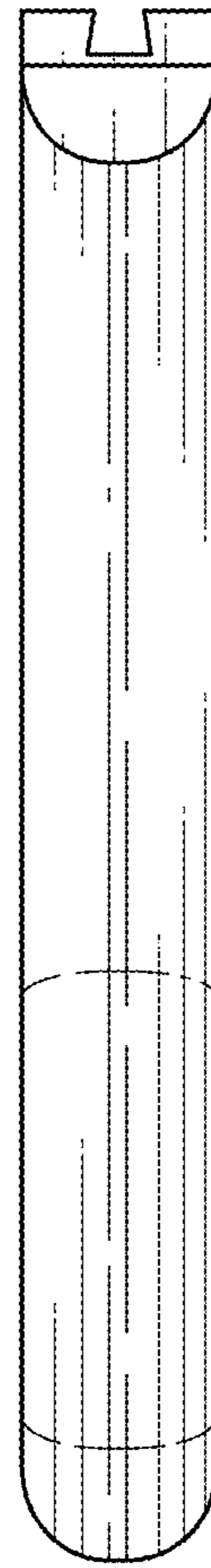


FIG. 21

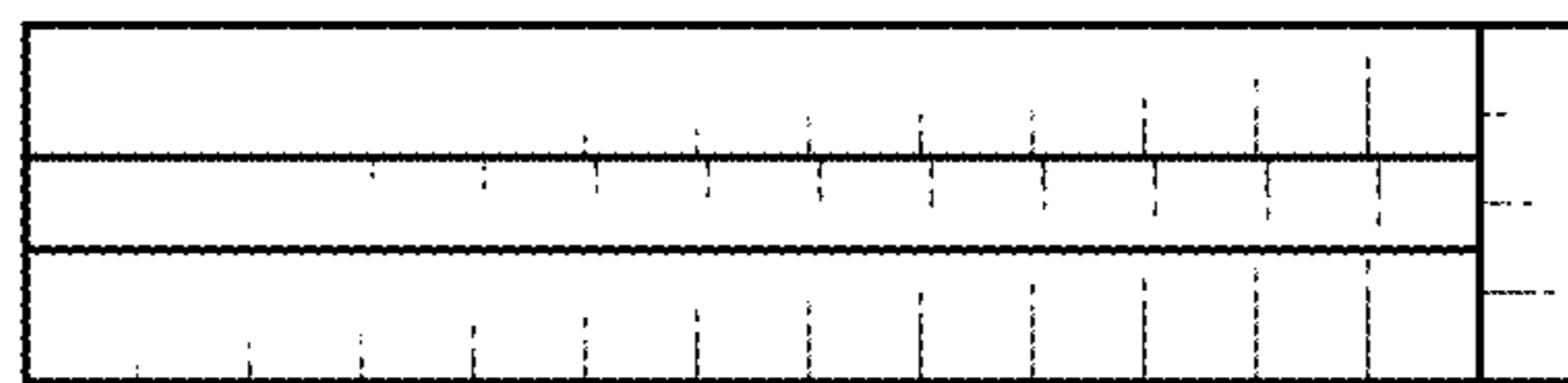


FIG. 22

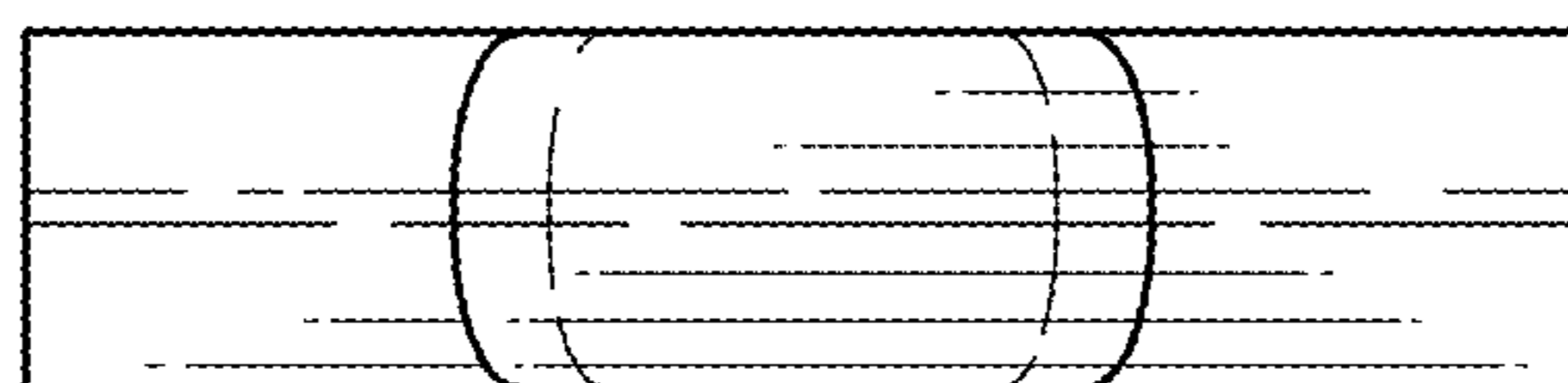


FIG. 23

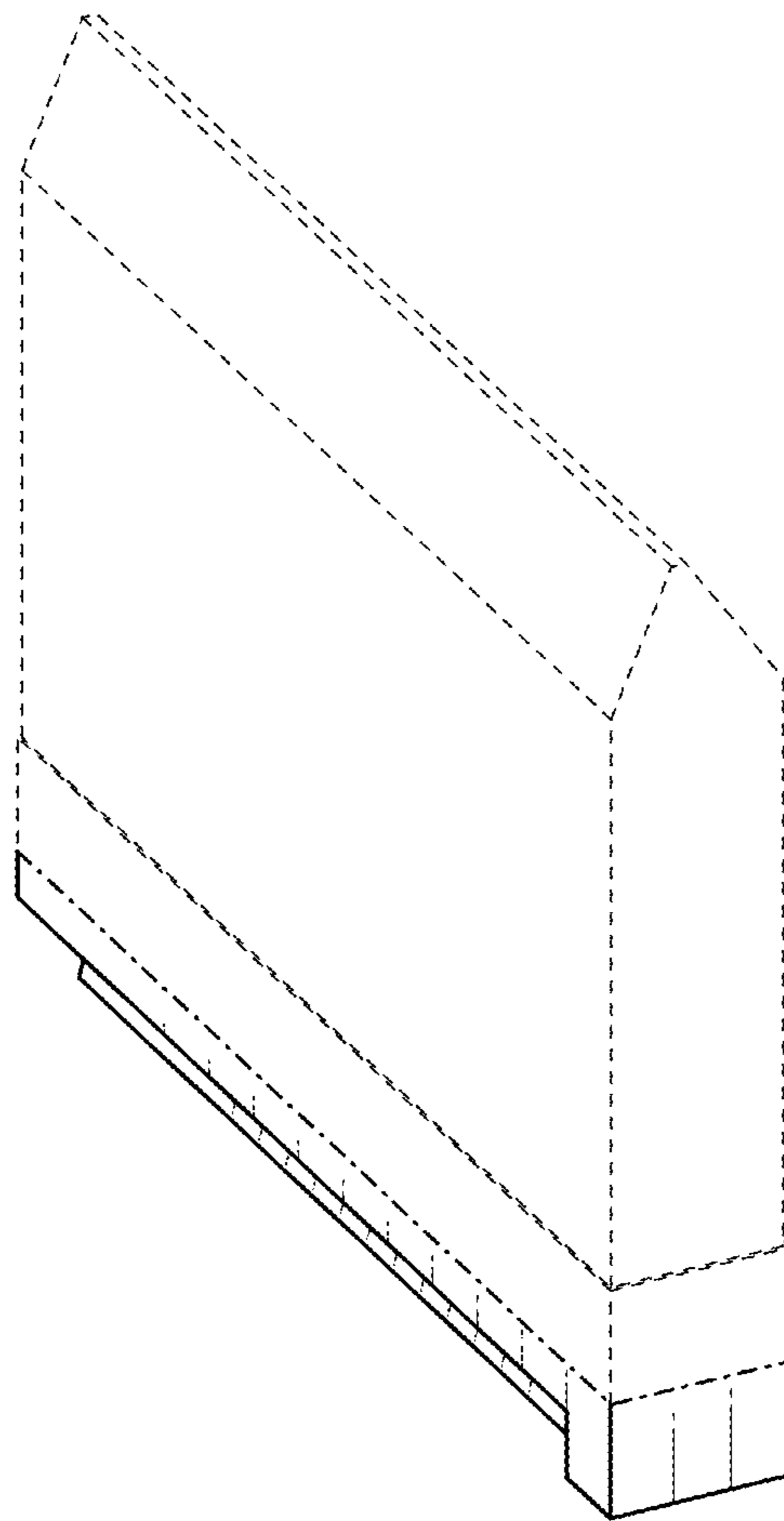


FIG. 24

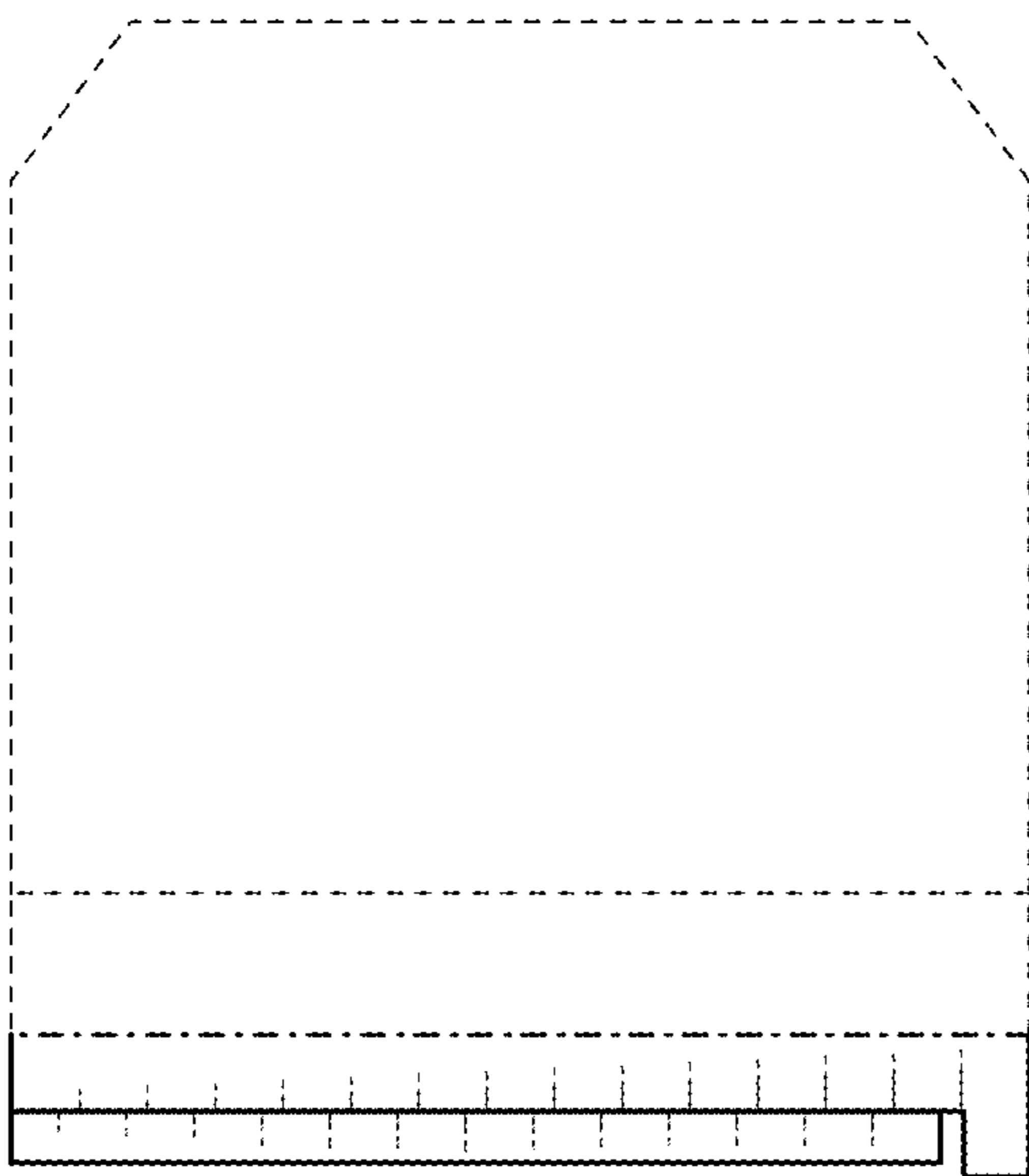


FIG. 25

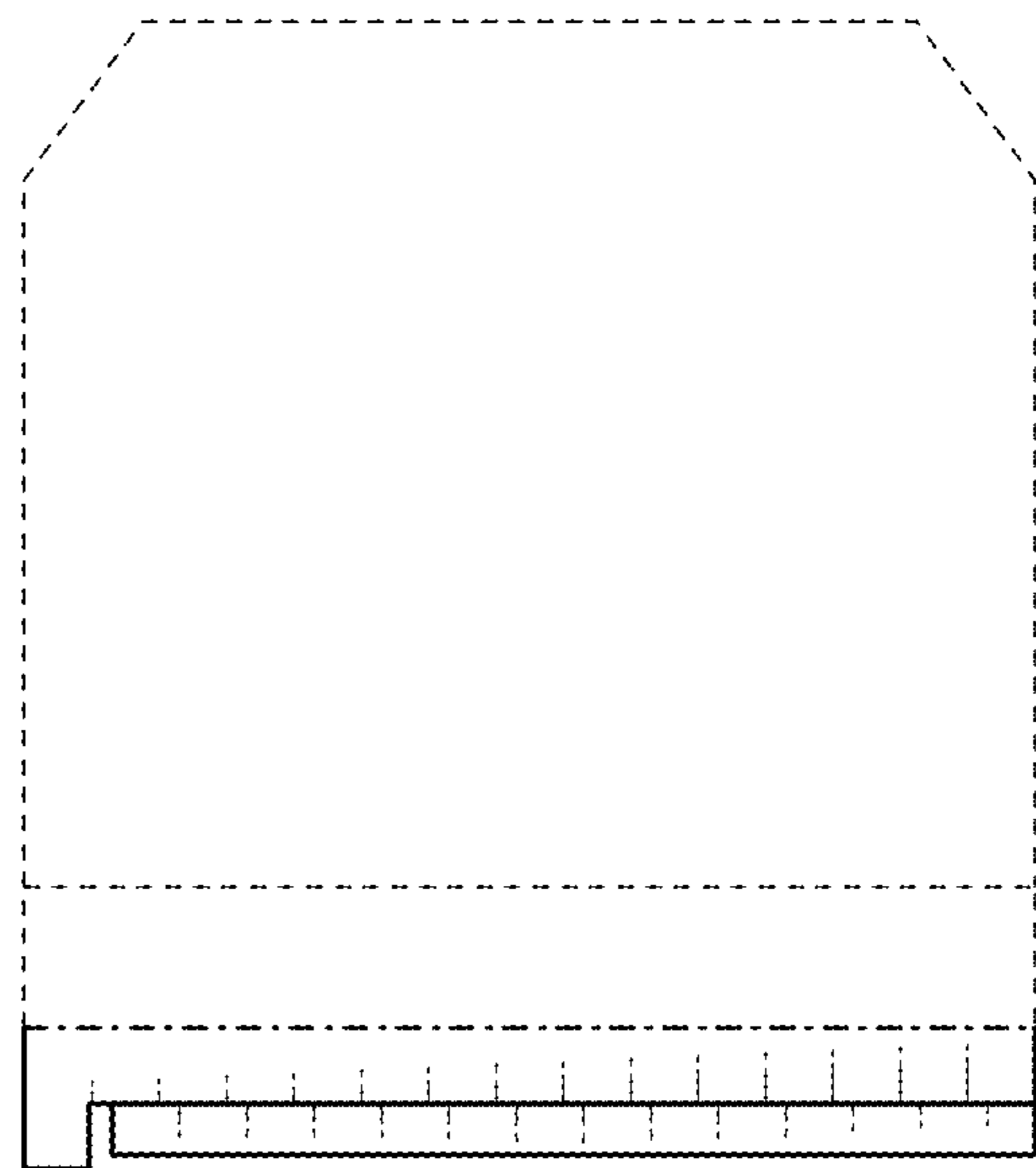


FIG. 26

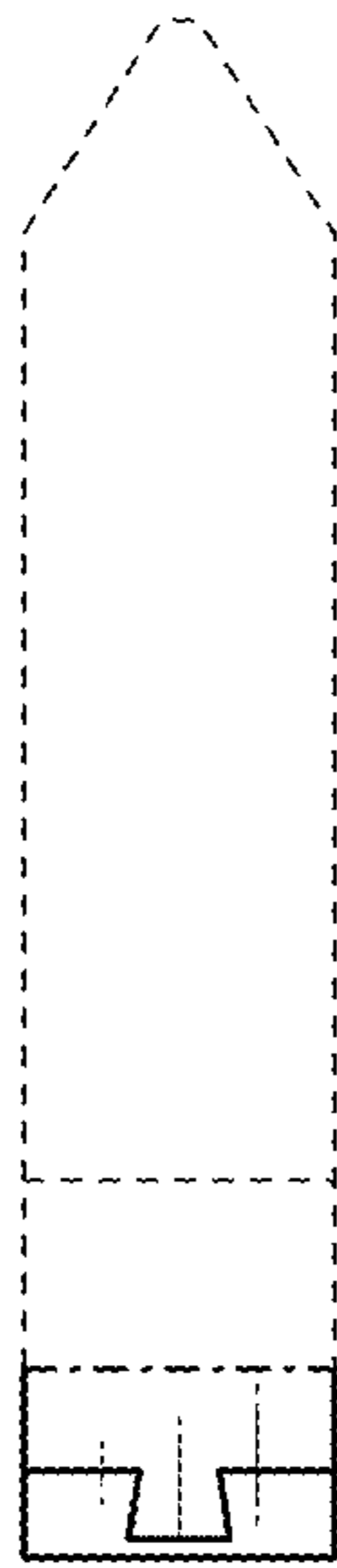


FIG. 27

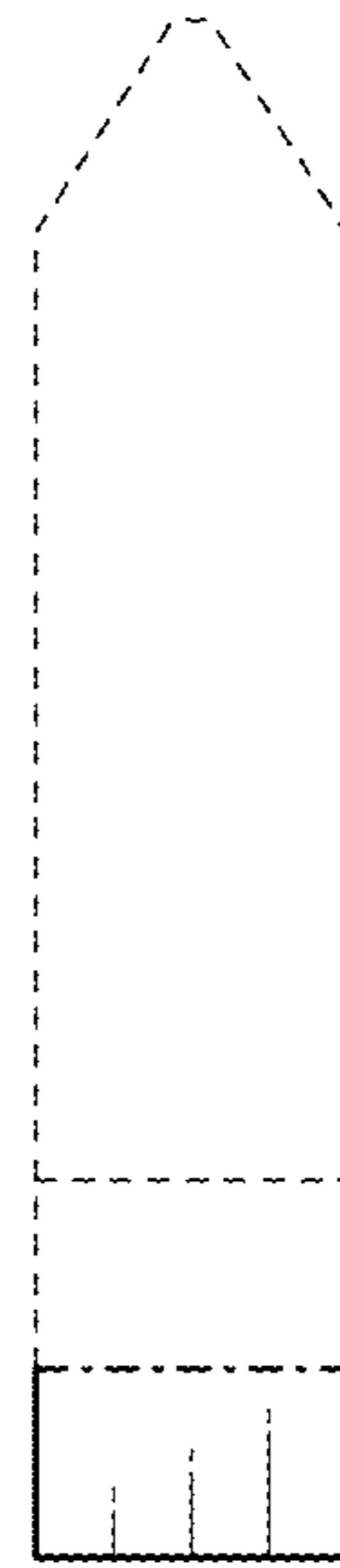


FIG. 28

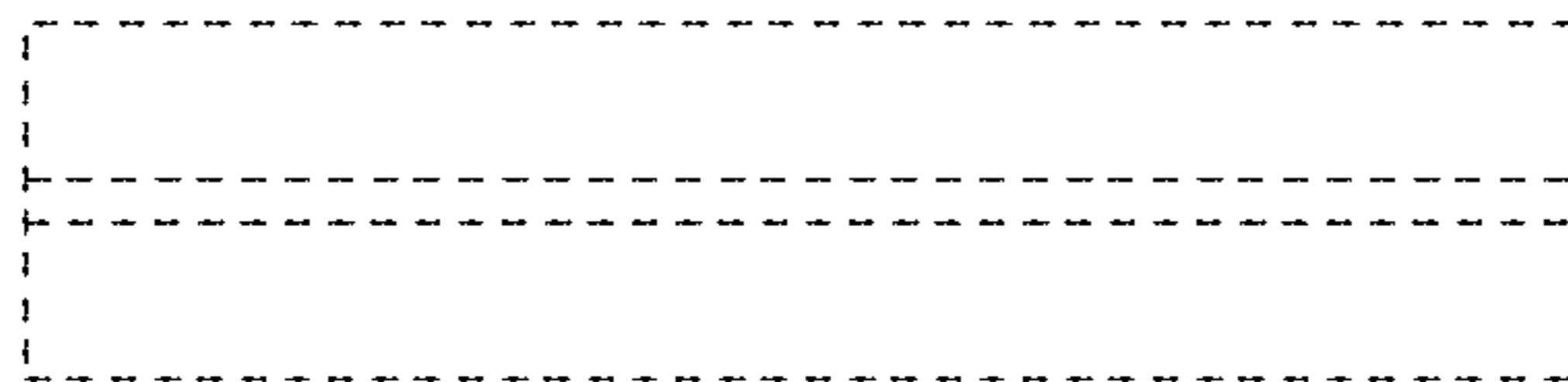


FIG. 29

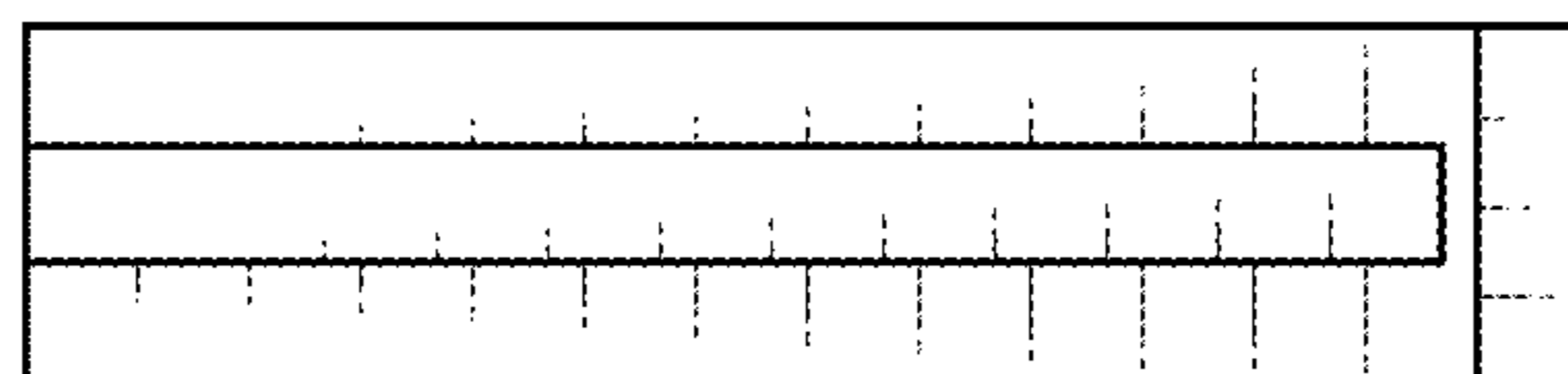


FIG. 30

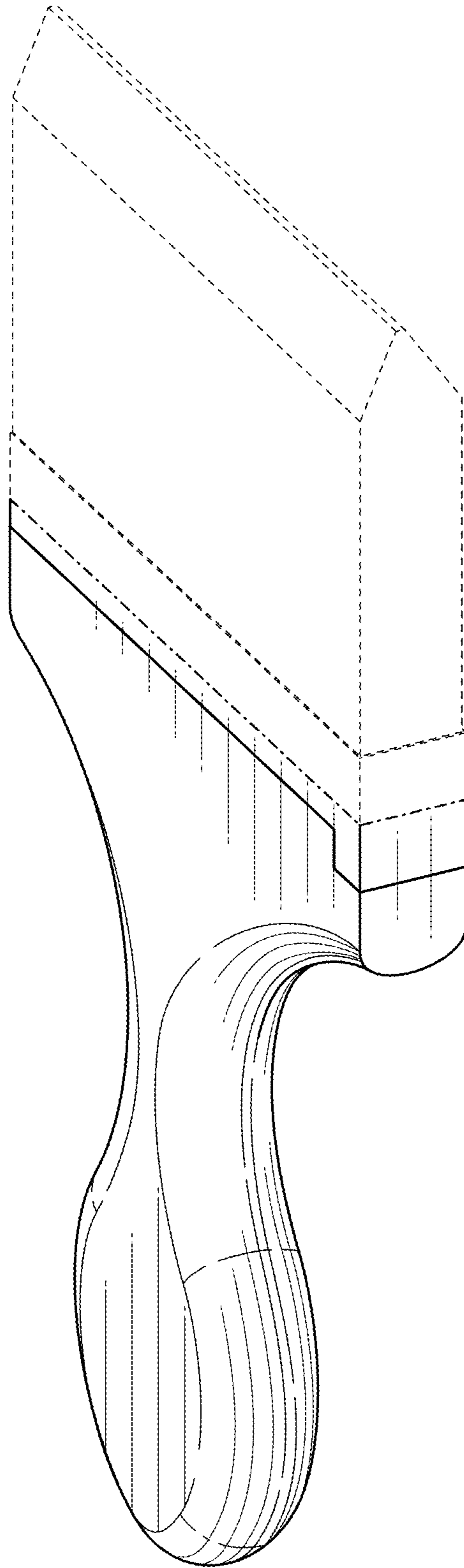


FIG. 31

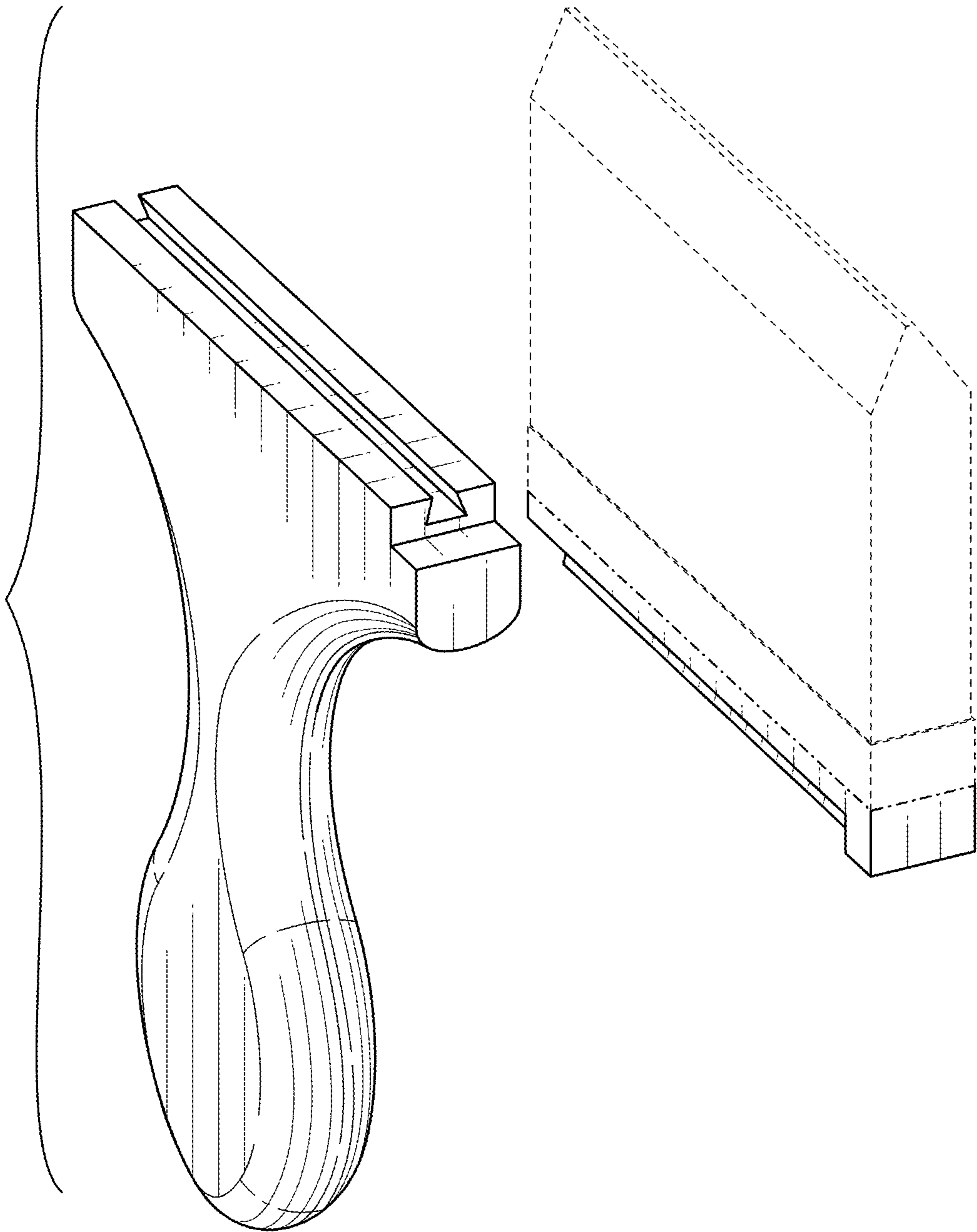


FIG. 32

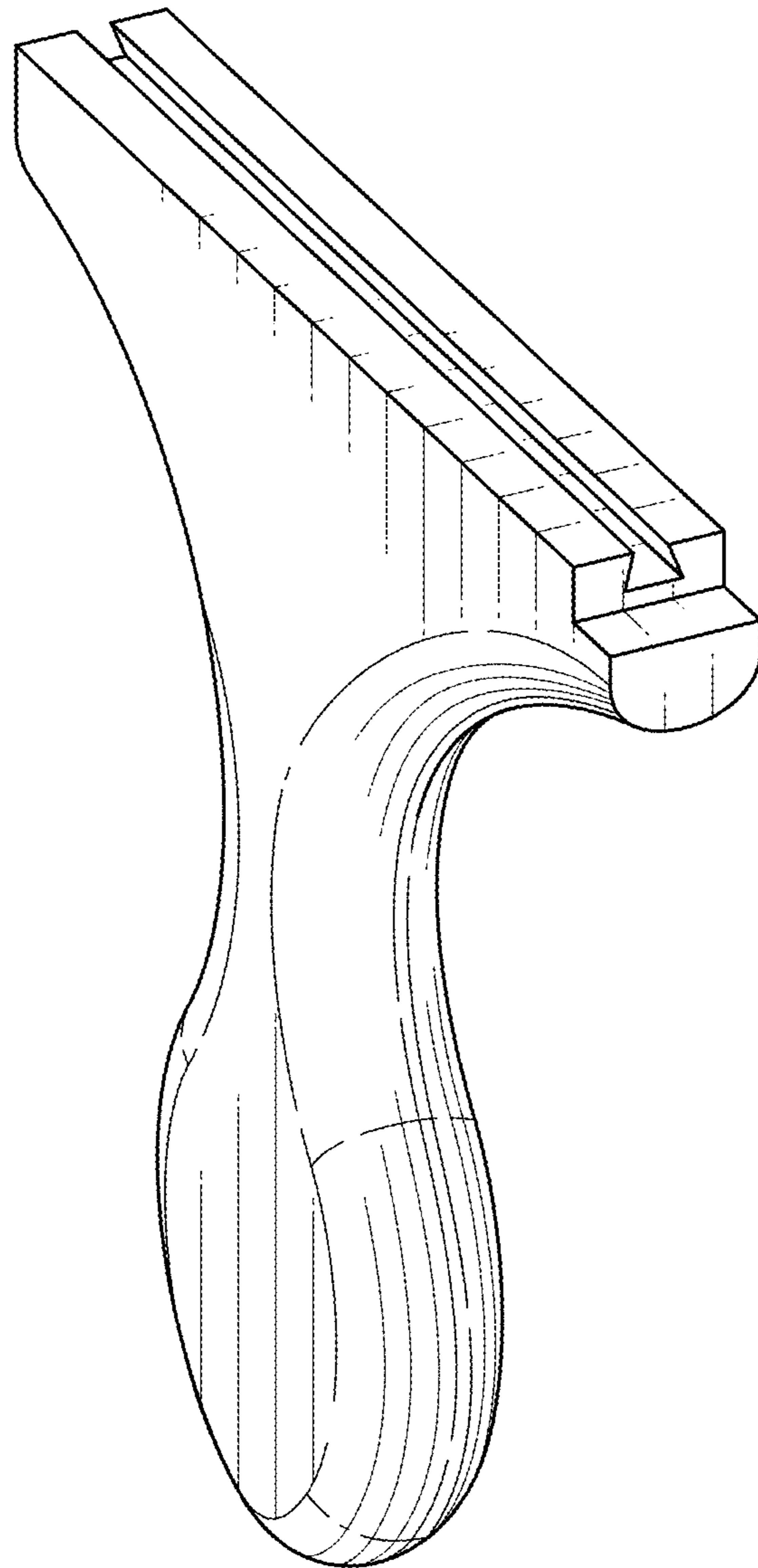


FIG. 33

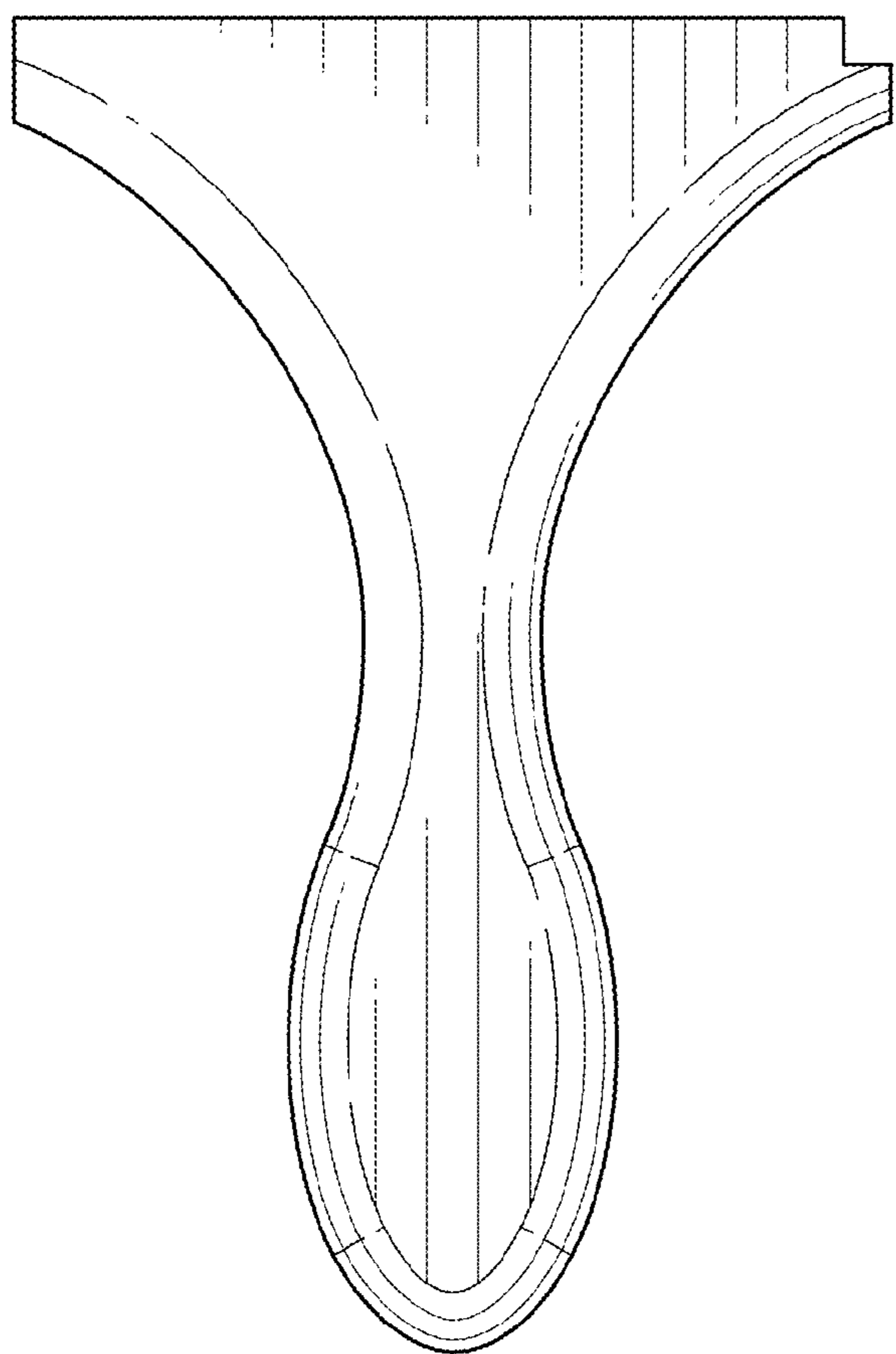


FIG. 34

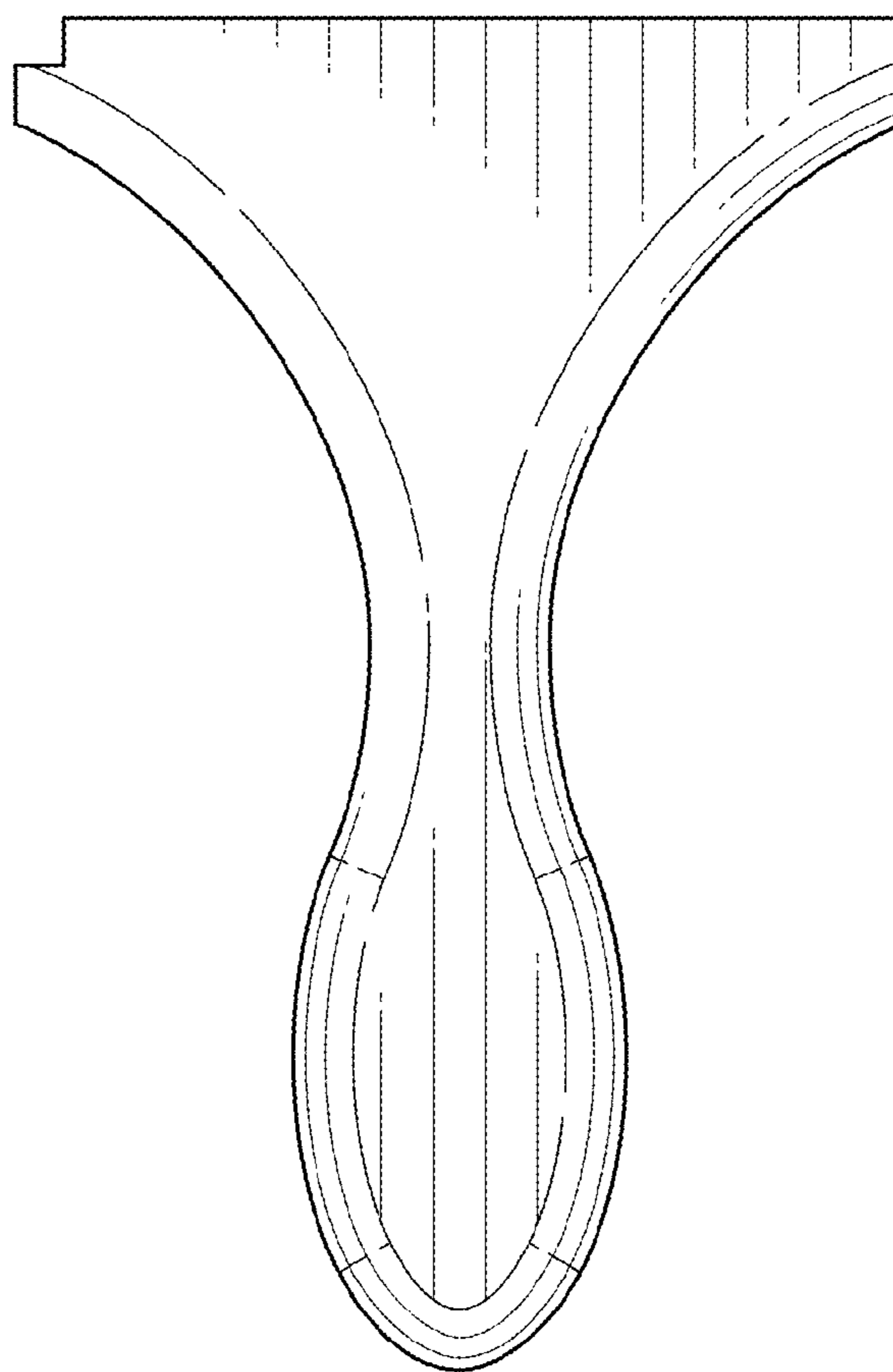


FIG. 35

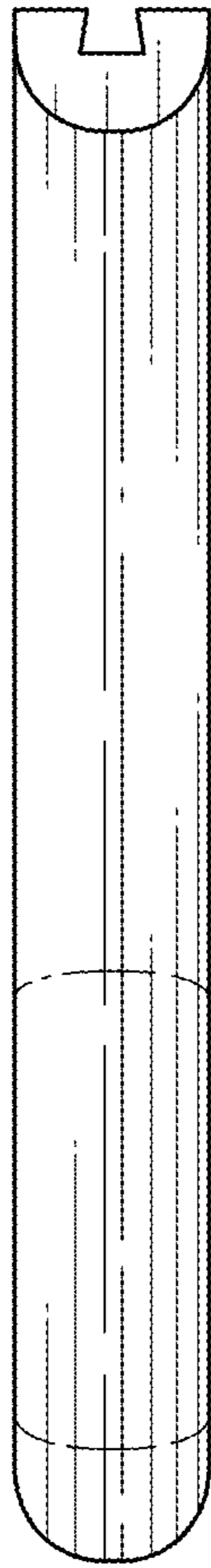


FIG. 36

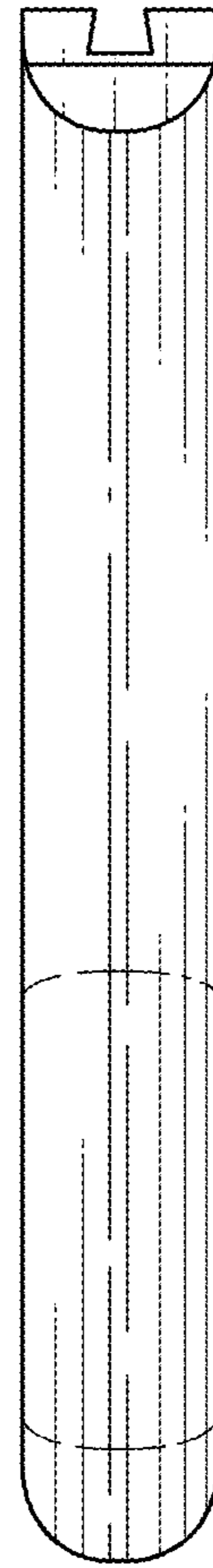


FIG. 37

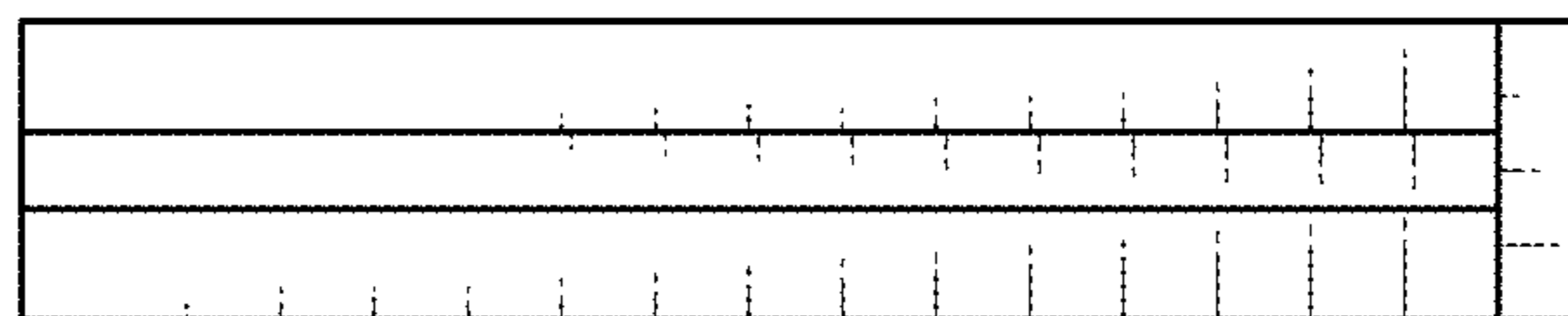


FIG. 38

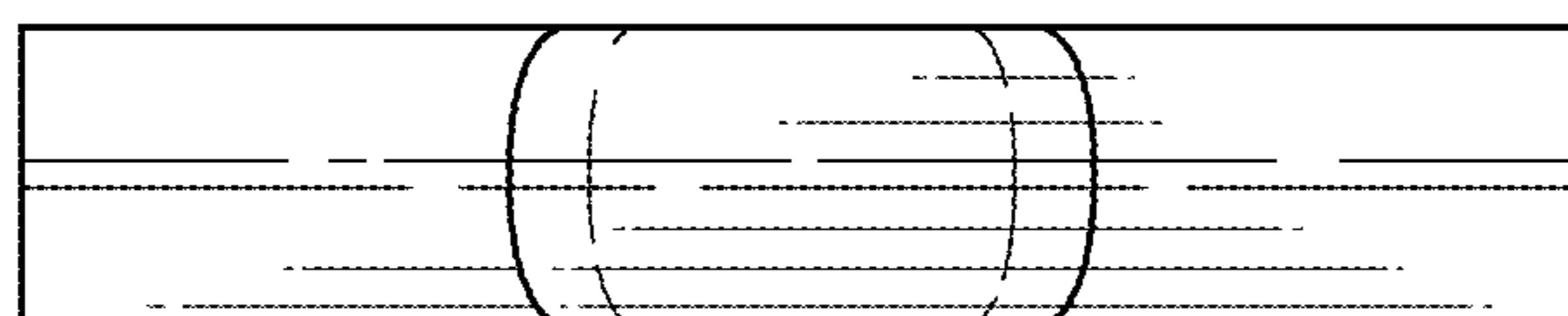


FIG. 39

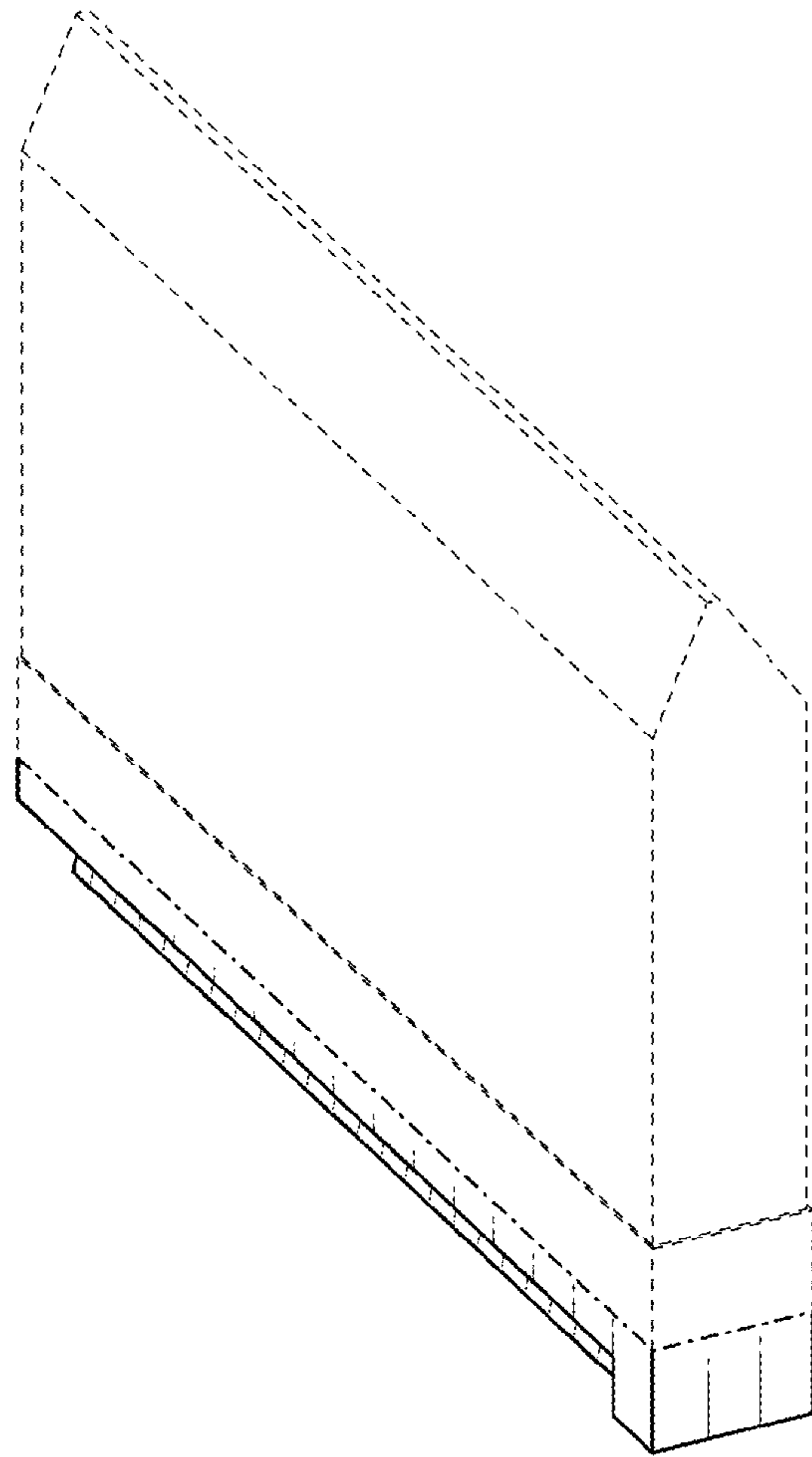


FIG. 40

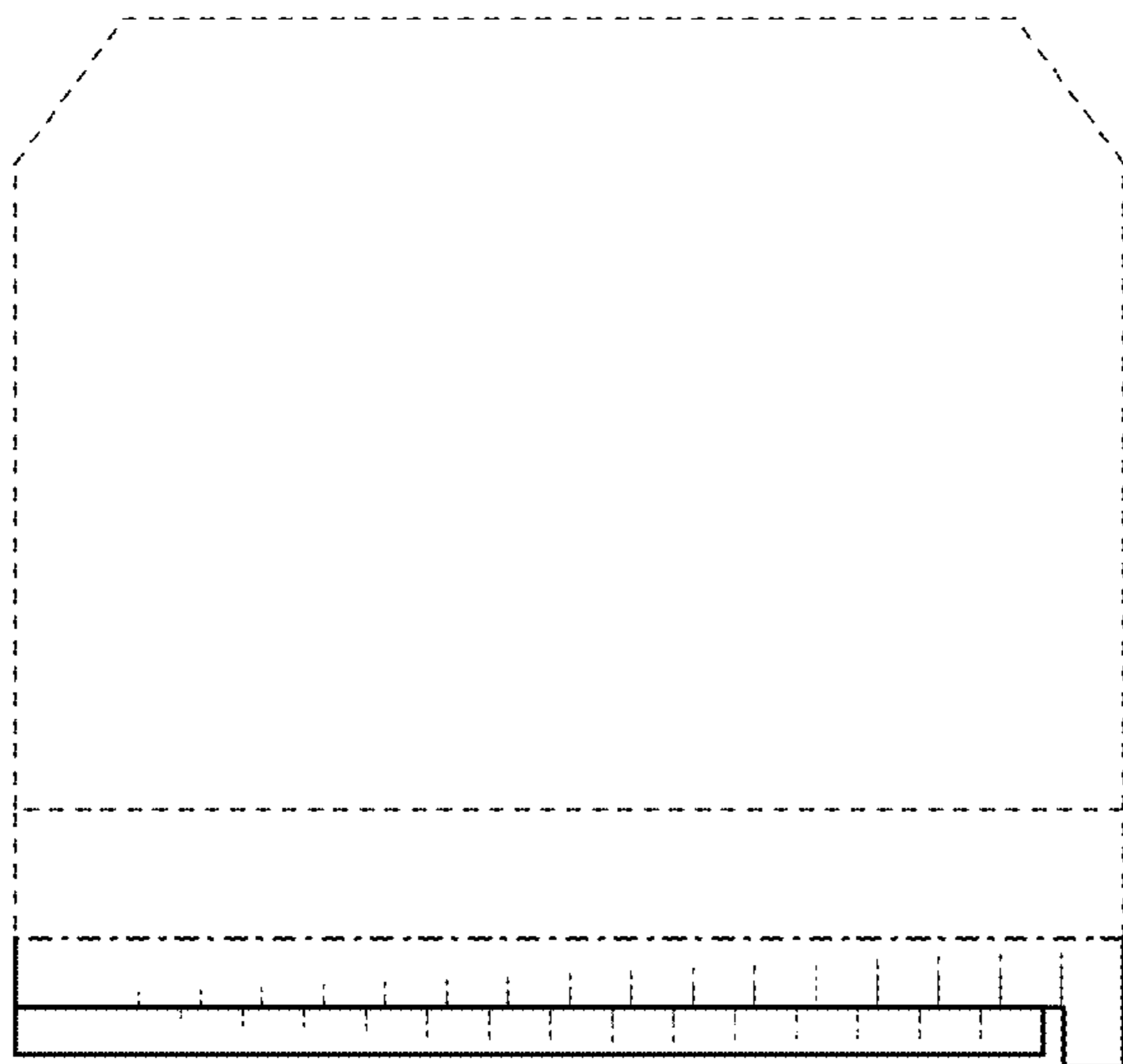


FIG. 41

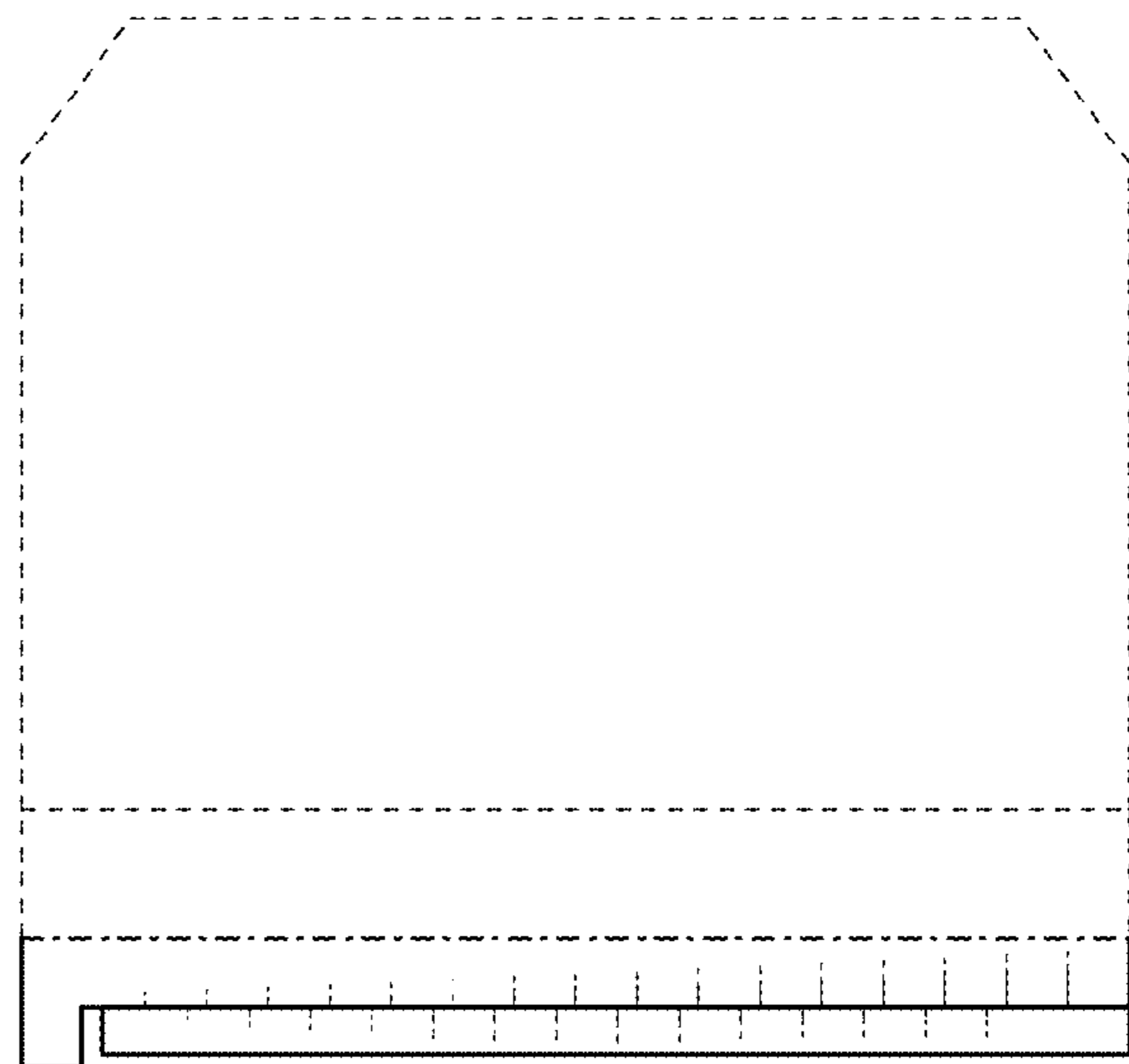


FIG. 42

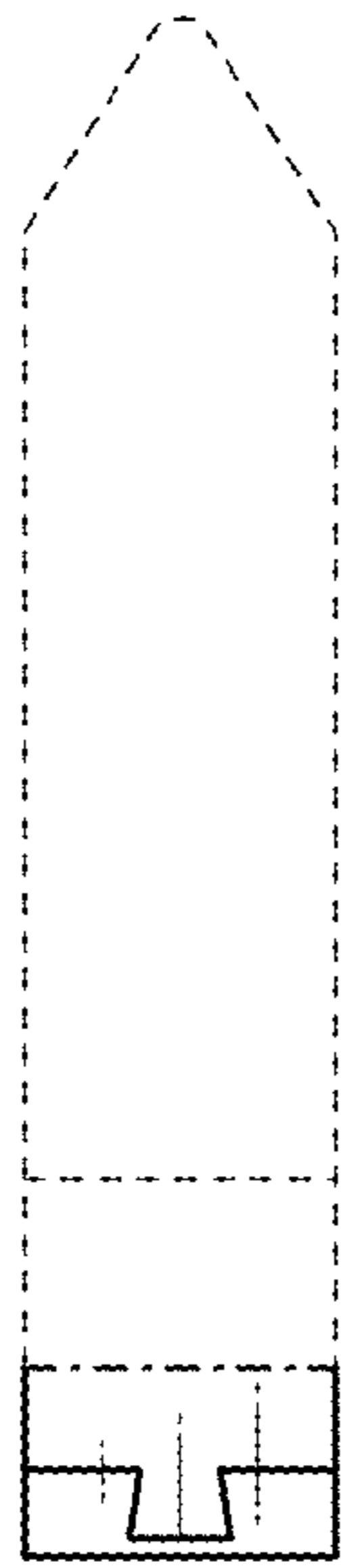


FIG. 43

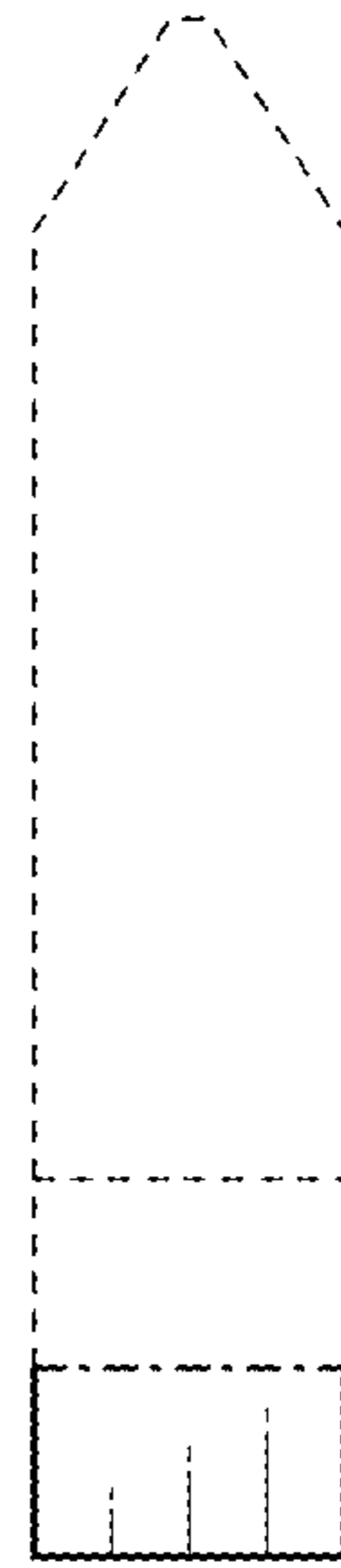


FIG. 44

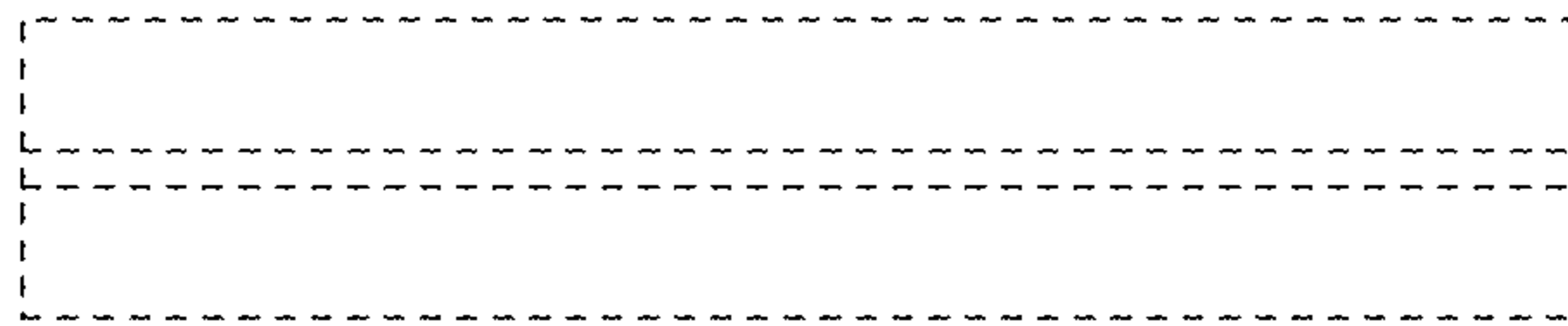


FIG. 45

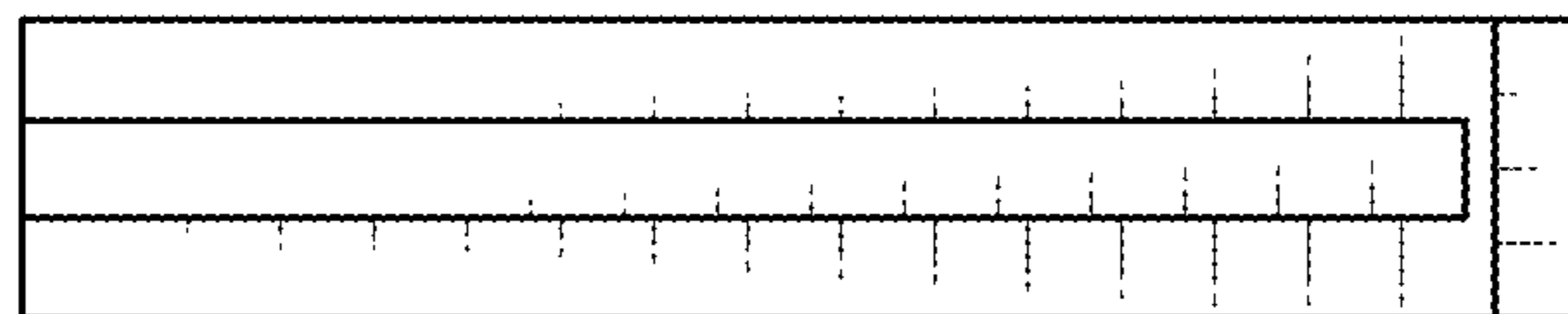


FIG. 46

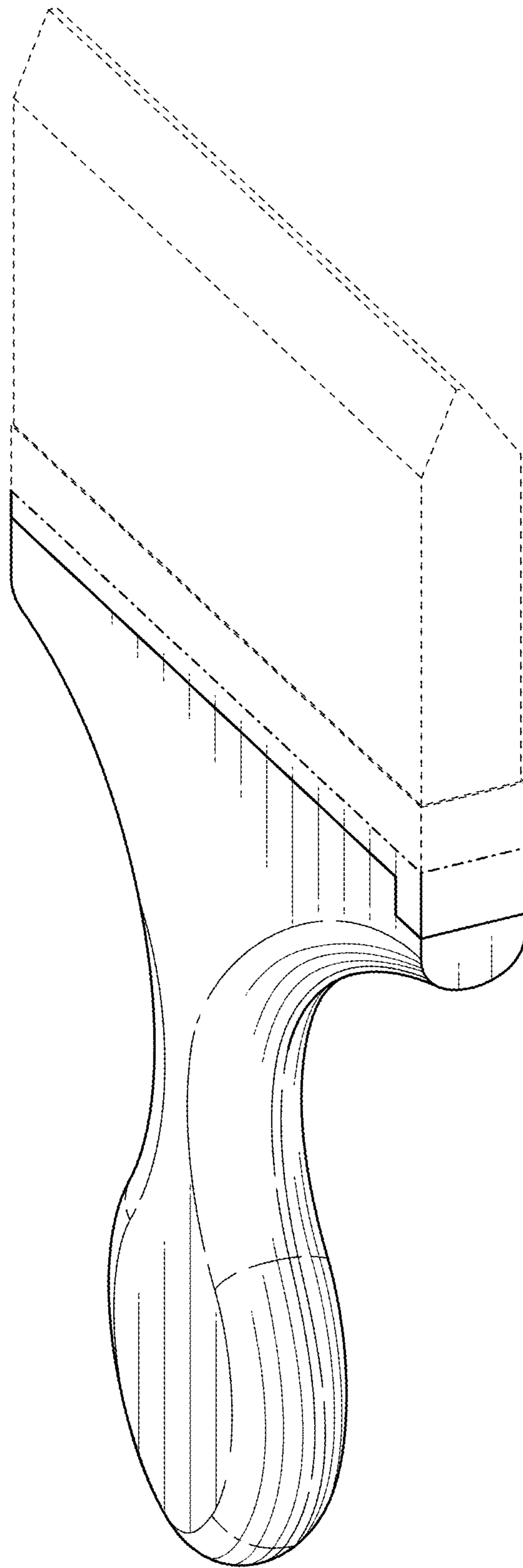


FIG. 47

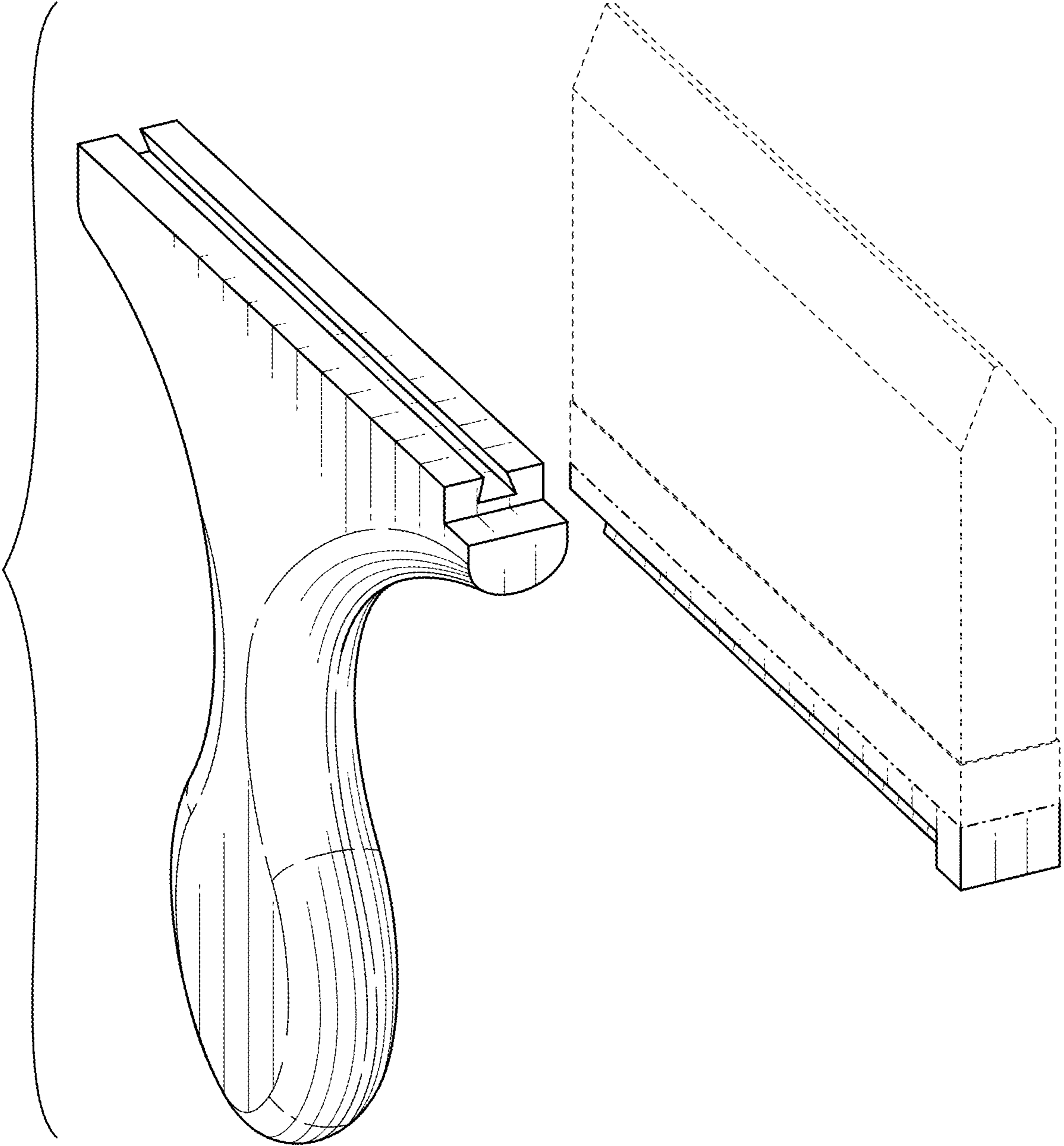


FIG. 48