

US00D969496S

(12) **United States Design Patent** (10) **Patent No.:** **US D969,496 S**  
**Dittemore et al.** (45) **Date of Patent:** **\*\* Nov. 15, 2022**

(54) **GOLF BAG PROTECTIVE DEVICE**

D597,827 S \* 8/2009 Brassard ..... D8/395  
D811,609 S \* 2/2018 Huff ..... D24/189  
2019/0143192 A1\* 5/2019 Dittemore ..... A63B 1/00  
206/315.6

(71) Applicants: **Ron Dittemore**, Ogden, UT (US);  
**Gary D. Dittemore**, Salt Lake City, UT (US)

(72) Inventors: **Ron Dittemore**, Ogden, UT (US);  
**Gary D. Dittemore**, Salt Lake City, UT (US)

(\*\*) Term: **15 Years**

(21) Appl. No.: **29/728,841**

(22) Filed: **Mar. 21, 2020**

**OTHER PUBLICATIONS**

2Pcs Golf Club Bag Clips, first available Jun. 11, 2021, amazon.com [online], [site visited May 24, 2022], Available at URL: https://www.amazon.com/dp/B098DKVNNM/ (Year: 2021).\*

\* cited by examiner

*Primary Examiner* — Jeffrey D Asch  
*Assistant Examiner* — Caitlin A Laverty  
(74) *Attorney, Agent, or Firm* — Amy Fiene

(57) **CLAIM**

The ornamental design for a golf bag protective device, as shown.

**DESCRIPTION**

FIG. 1 illustrates a perspective view of a golf bag protective device showing our new design;  
FIG. 2 illustrates a front view of a golf bag protective device;  
FIG. 3 illustrates a back view of a golf bag protective device;  
FIG. 4 illustrates a side view of a golf bag protective device;  
FIG. 5 illustrates a side view of a golf bag protective device;  
FIG. 6 illustrates a perspective view of a golf bag protective device;  
FIG. 7 illustrates a perspective view of a golf bag protective device;  
FIG. 8 illustrates a perspective view of a golf bag protective device;  
FIG. 9 illustrates a bottom view of a golf bag protective device.  
FIG. 10 illustrates a top view of a golf bag protective device;  
and,  
FIG. 11 illustrates a perspective view of a golf bag protective device.

**Related U.S. Application Data**

(63) Continuation of application No. 16/826,089, filed on Mar. 20, 2020, which is a continuation-in-part of application No. 15/810,385, filed on Nov. 13, 2017, now abandoned.

(51) **LOC (13) Cl.** ..... **03-01**

(52) **U.S. Cl.**  
USPC ..... **D3/320**

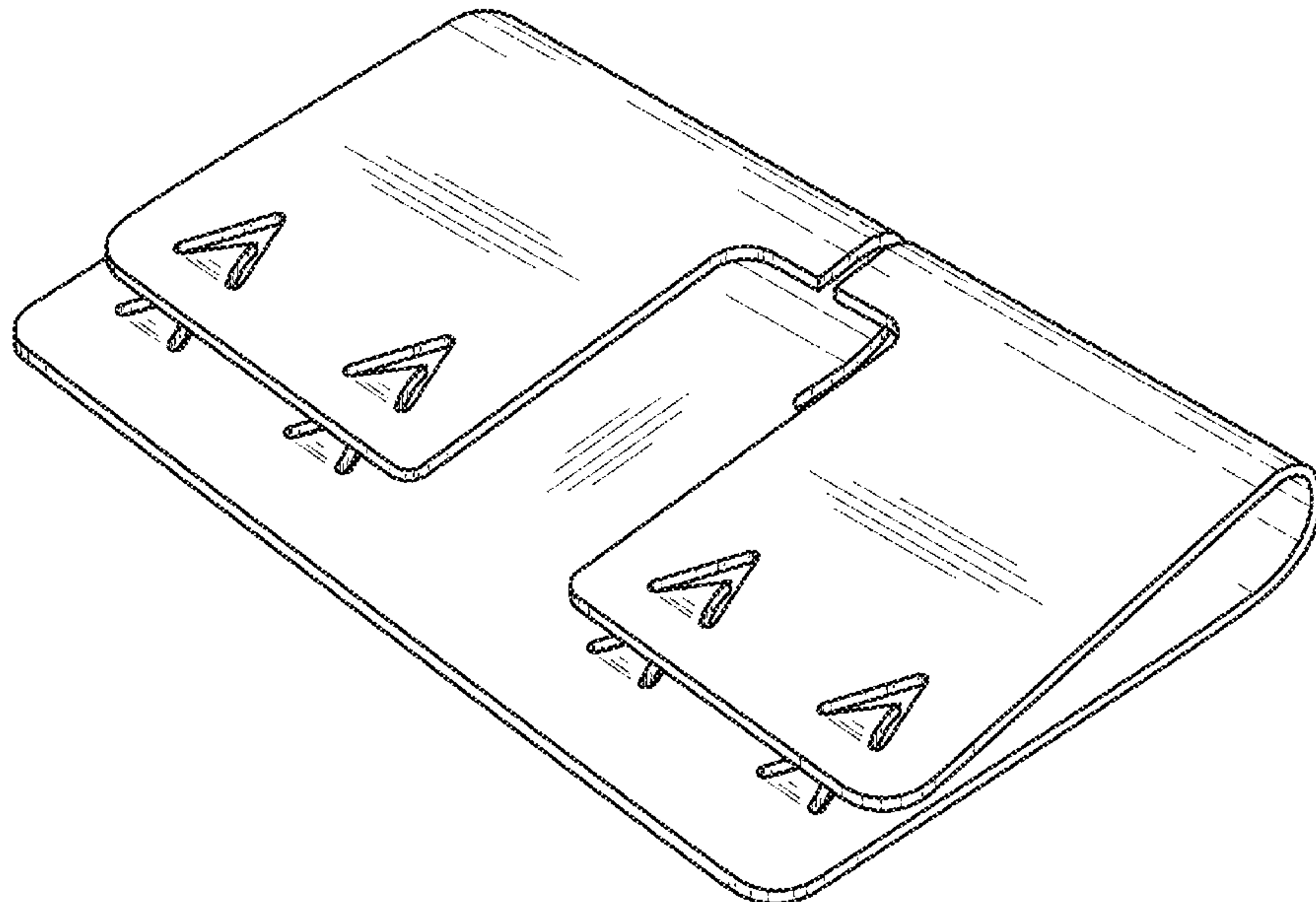
(58) **Field of Classification Search**  
USPC ..... D3/254–255, 259, 319–321, 328–328.1, D3/904; D21/789, 796; D24/189  
CPC ..... A63B 57/00; A63B 57/20  
See application file for complete search history.

(56) **References Cited**

**U.S. PATENT DOCUMENTS**

2,922,170 A \* 1/1960 Reggiani ..... A47C 31/04  
D24/189  
D296,156 S \* 6/1988 Deany ..... D3/226  
4,830,248 A \* 5/1989 Pommenville ..... A63B 55/408  
224/269  
D315,009 S \* 2/1991 Ingalls ..... D21/793

**1 Claim, 6 Drawing Sheets**



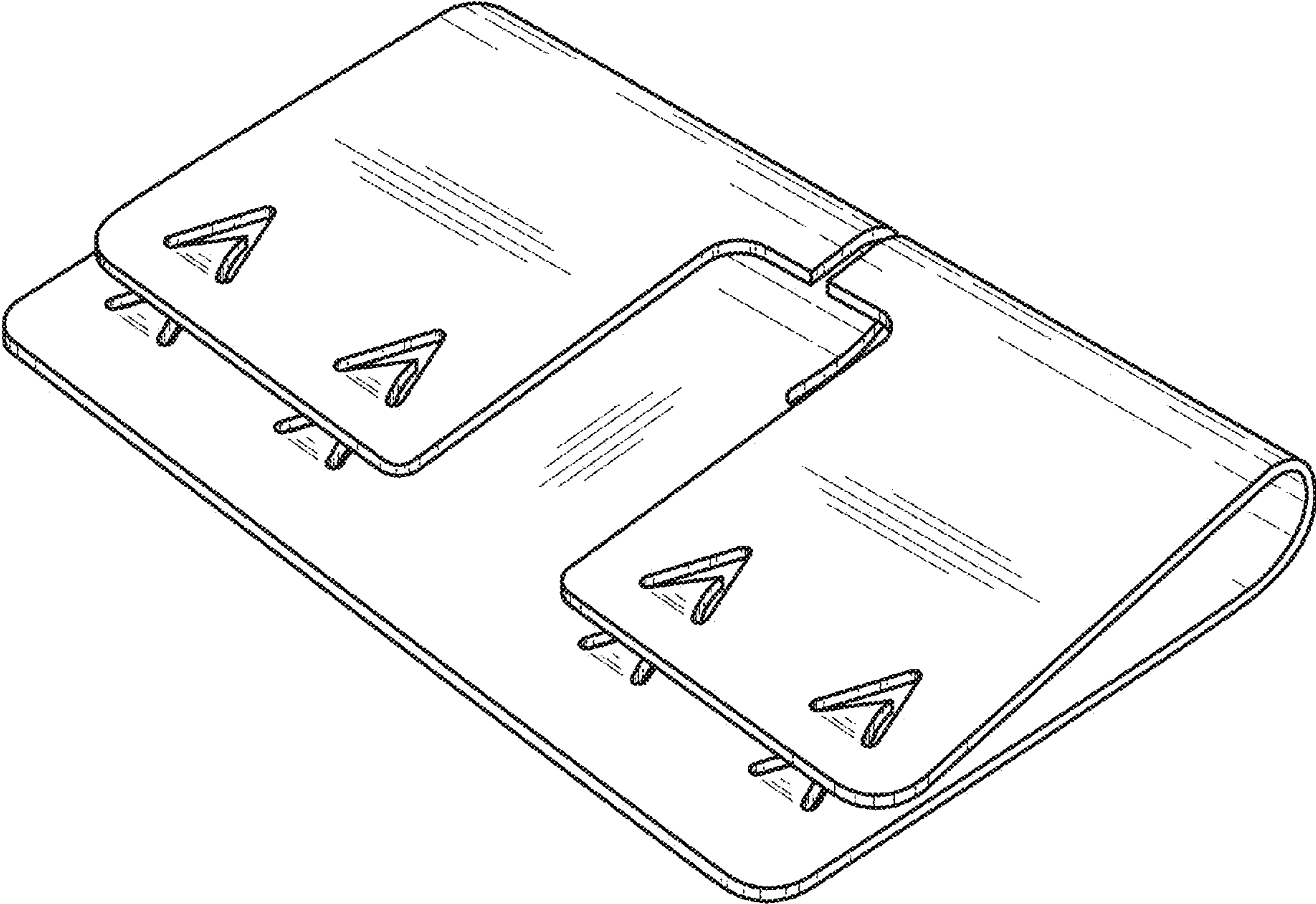


FIG. 1

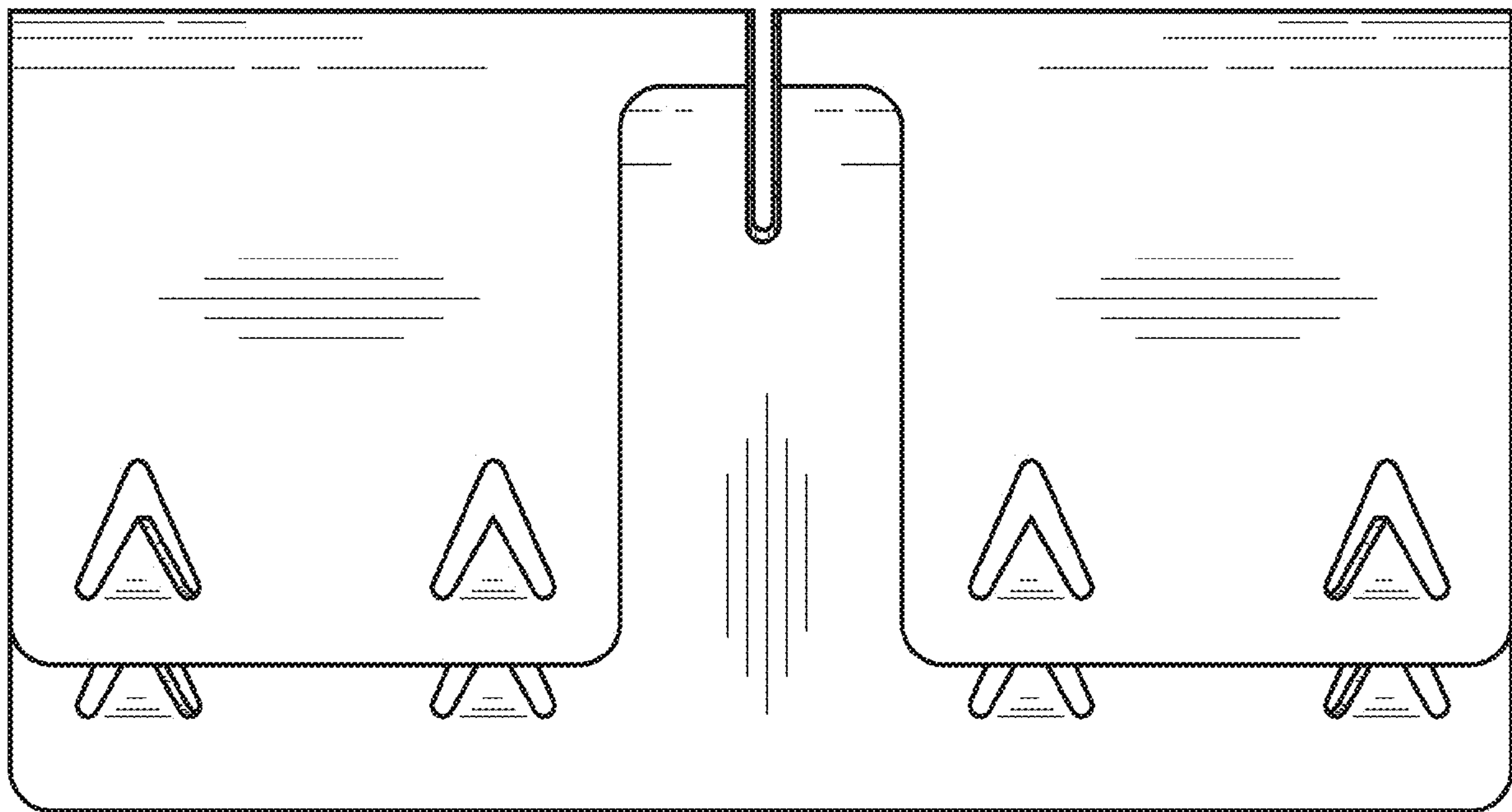


FIG. 2

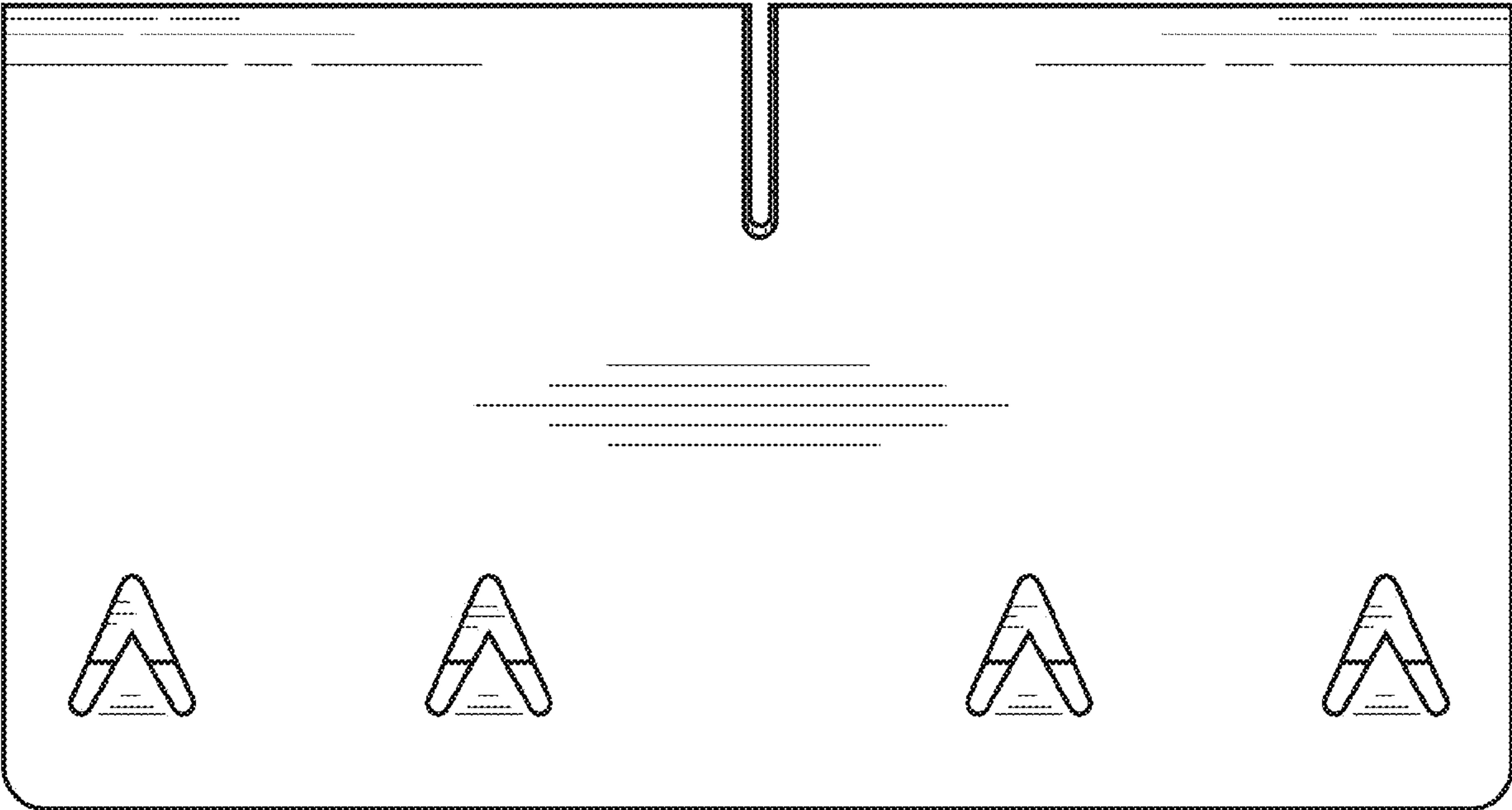


FIG. 3



FIG. 4



FIG. 5

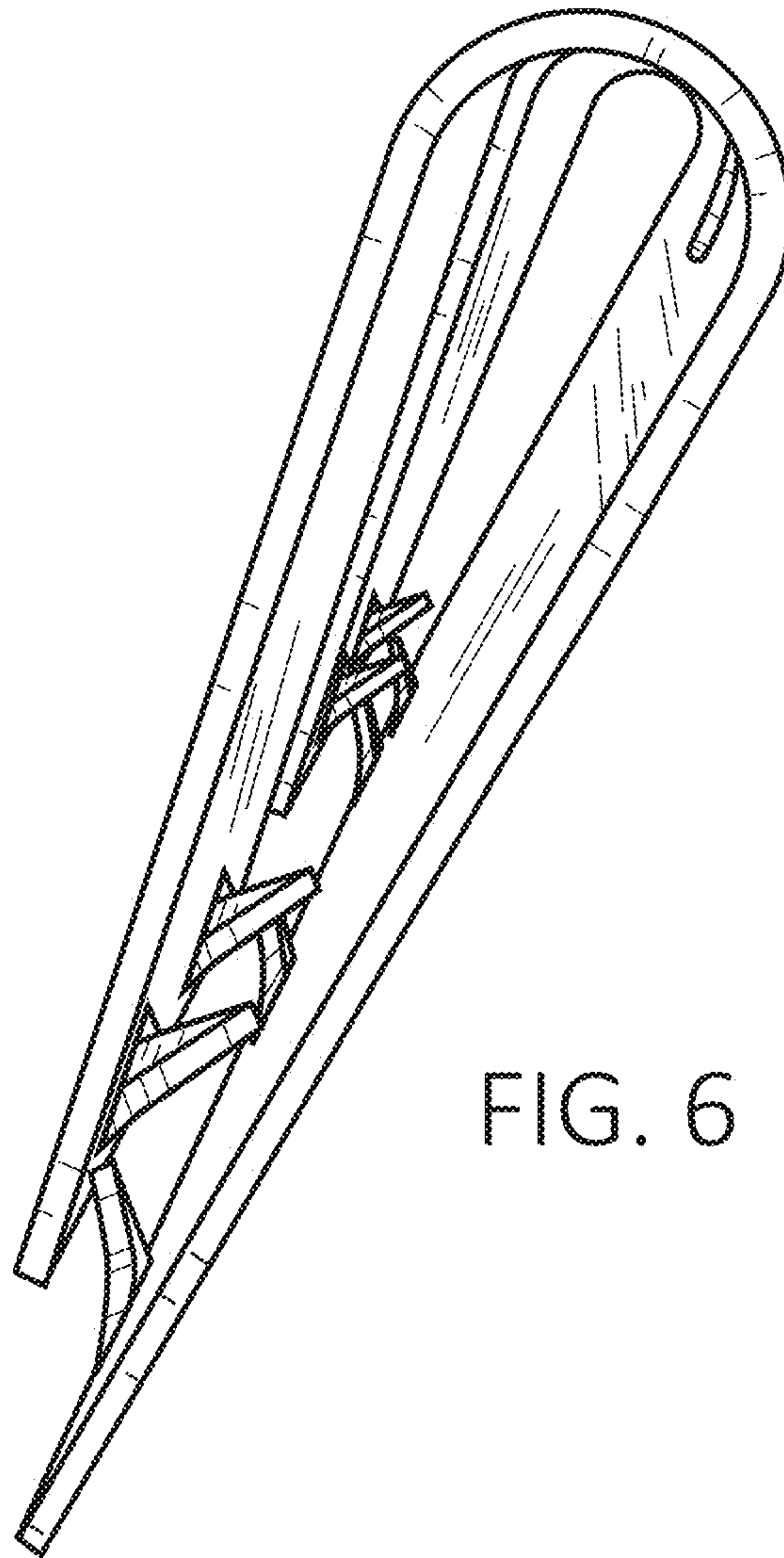


FIG. 6

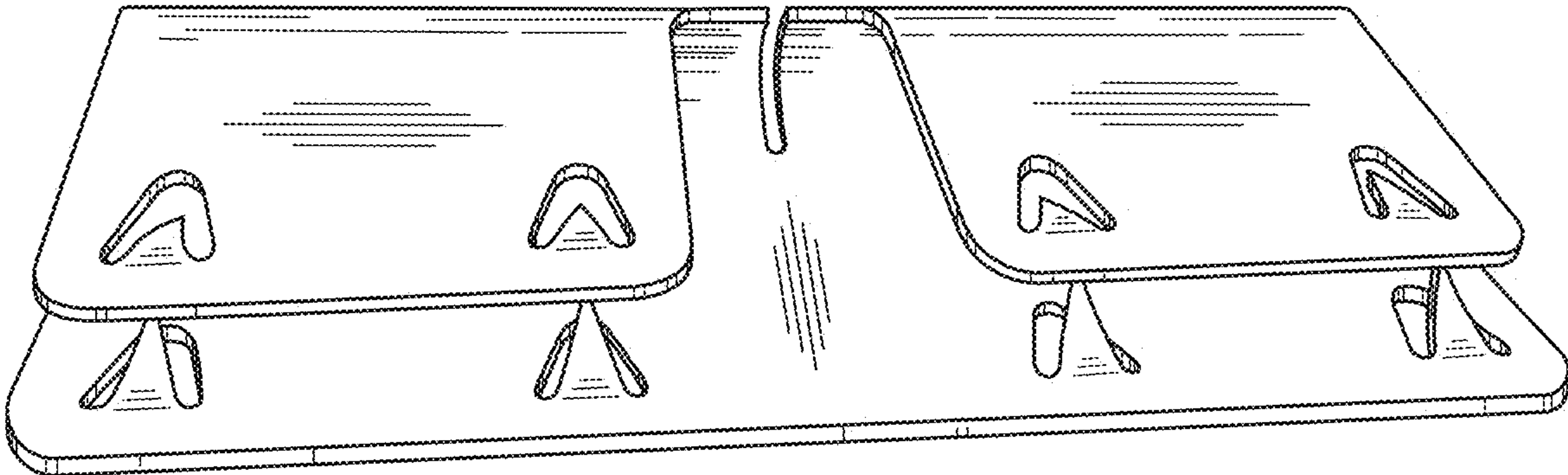


FIG. 7

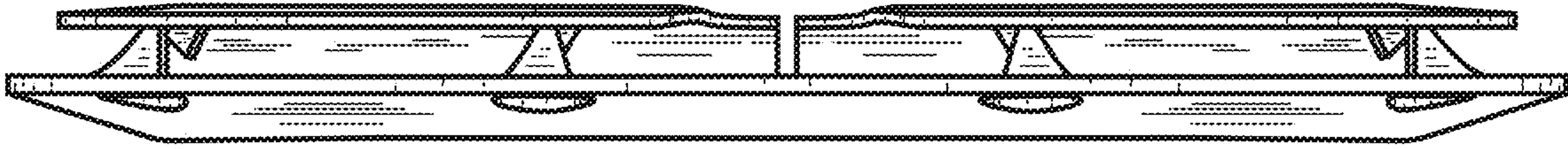


FIG. 8

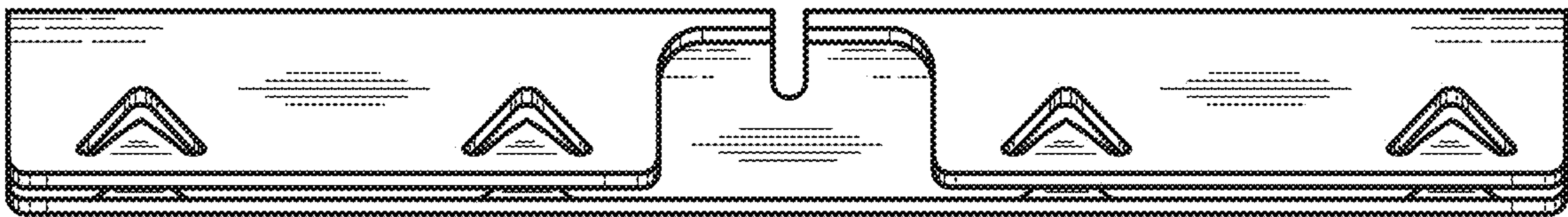


FIG. 9

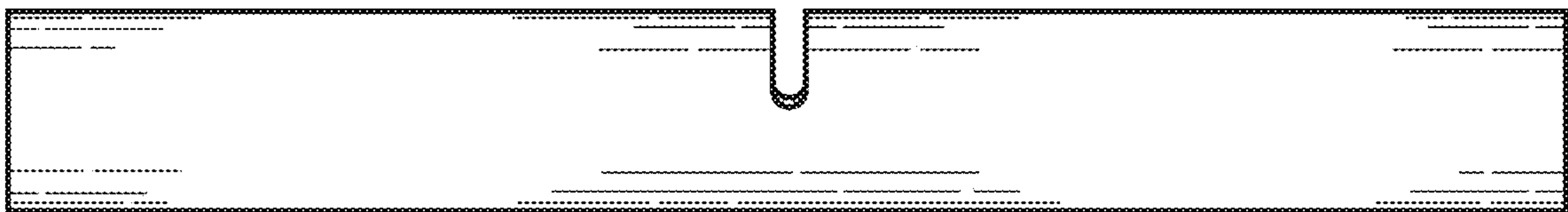


FIG. 10

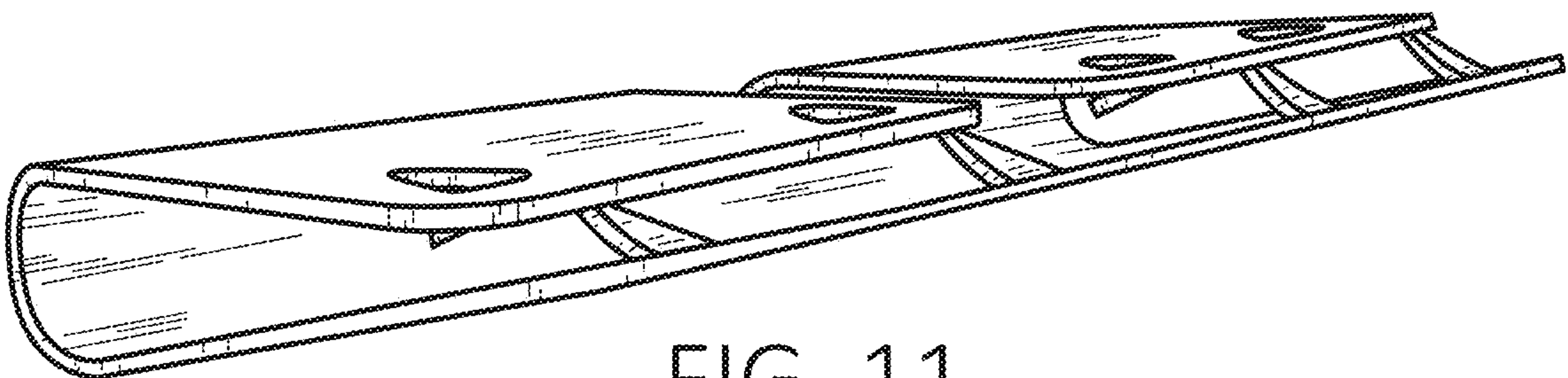


FIG. 11