

US00D969493S

(12) **United States Design Patent**
Gannon

(10) **Patent No.:** **US D969,493 S**

(45) **Date of Patent:** **** Nov. 15, 2022**

(54) **ROOF CADDY**

(71) Applicant: **Timothy A Gannon**, Knoxville, TN
(US)

(72) Inventor: **Timothy A Gannon**, Knoxville, TN
(US)

(**) Term: **15 Years**

(21) Appl. No.: **29/737,254**

(22) Filed: **Jun. 8, 2020**

(51) **LOC (13) Cl.** **03-01**

(52) **U.S. Cl.**
USPC **D3/315; D34/28**

(58) **Field of Classification Search**
USPC D3/315, 905; D6/513, 682.4; D8/71,
D8/354; D19/113; D25/199
CPC E04G 3/26; E06C 7/16; A45C 3/00
See application file for complete search history.

(56) **References Cited**

U.S. PATENT DOCUMENTS

- 352,873 A * 11/1886 Slack E04G 3/26
248/237
- 565,511 A * 8/1896 Schmidt B42F 13/402
D19/113
- 3,983,676 A * 10/1976 Gilpin E04D 15/04
52/749.12
- D267,608 S * 1/1983 Brescia D19/113
- 4,773,535 A * 9/1988 Cook A45C 3/00
383/11
- 5,004,072 A * 4/1991 Launer E04D 15/00
248/237
- D387,202 S * 12/1997 Junkins D3/315
- D397,229 S * 8/1998 Winters D25/68
- 6,305,498 B1 * 10/2001 Itzkovitch B25H 3/00
182/155
- D457,763 S * 5/2002 Borys D6/513

- 6,668,509 B1 * 12/2003 Krebs E04D 13/12
52/703
- 6,745,869 B2 * 6/2004 Garrett E04D 15/00
182/45
- 10,767,376 B2 * 9/2020 Bendall E04G 5/003
(Continued)

FOREIGN PATENT DOCUMENTS

- GB 9006778361-0001 * 8/2019
- JP D1638662 * 8/2019

OTHER PUBLICATIONS

Amazon.com, Site visited May 4, 2022, ProVision Tools, Inc. PiViT LadderTool Extension Ladder, First available Apr. 16, 2003, <https://www.amazon.com/ProVisionTools-Inc-Available-APVT-Leveling/dp/B000095SGF> (Year: 2003).*

(Continued)

Primary Examiner — Brett Miller
Assistant Examiner — Jessica M Gebhart
(74) *Attorney, Agent, or Firm* — Coleman & MacDonald Law Office

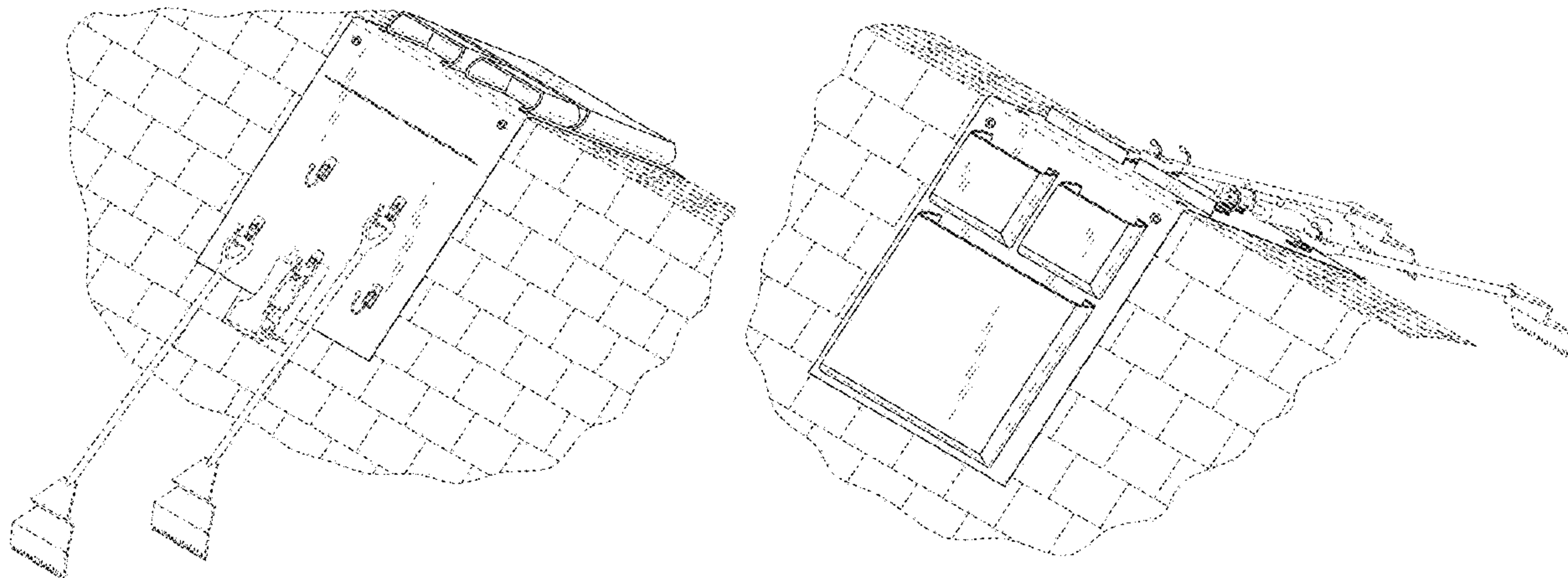
(57) **CLAIM**

The ornamental design of a roof caddy, as shown and described.

DESCRIPTION

FIG. 1 is a front side perspective view of a roof caddy showing my new design;
FIG. 2 is a rear side perspective view of the roof caddy of FIG. 1;
FIG. 3 is a front side view of the roof caddy of FIG. 1;
FIG. 4 is a rear side view of the roof caddy of FIG. 1;
FIG. 5 is a left side view of the roof caddy of FIG. 1;
FIG. 6 is a right side view of the roof caddy of FIG. 1;
FIG. 7 is a top view of the roof caddy of FIG. 1; and,
FIG. 8 is a bottom view of the roof caddy of FIG. 1.
The broken lines are illustrative of environmental structure only and form no part of the claimed design.

1 Claim, 7 Drawing Sheets



(56)

References Cited

U.S. PATENT DOCUMENTS

D930,936 S * 9/2021 Beiler D34/28
2006/0157299 A1 * 7/2006 Garrett E04G 3/265
182/45

OTHER PUBLICATIONS

Amazon.com, Site visited May 4, 2022, PeakWorks Roof Anchor Bracket, First available Jun. 24, 2016, <https://www.amazon.com/Peakworks-Protection-V8229100-Industrial-Construction/dp/B01HIUADQK> (Year: 2016).*

* cited by examiner

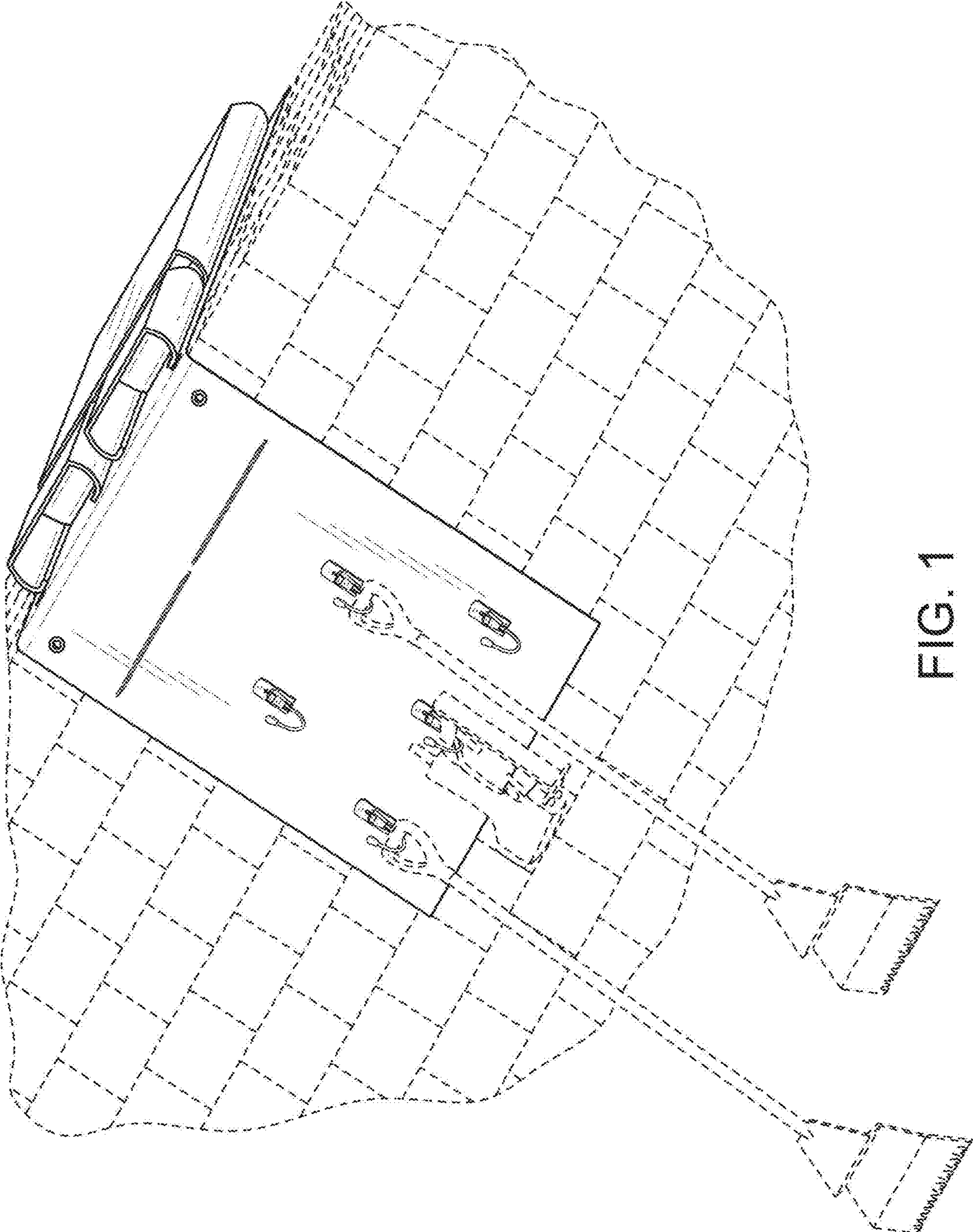


FIG. 1

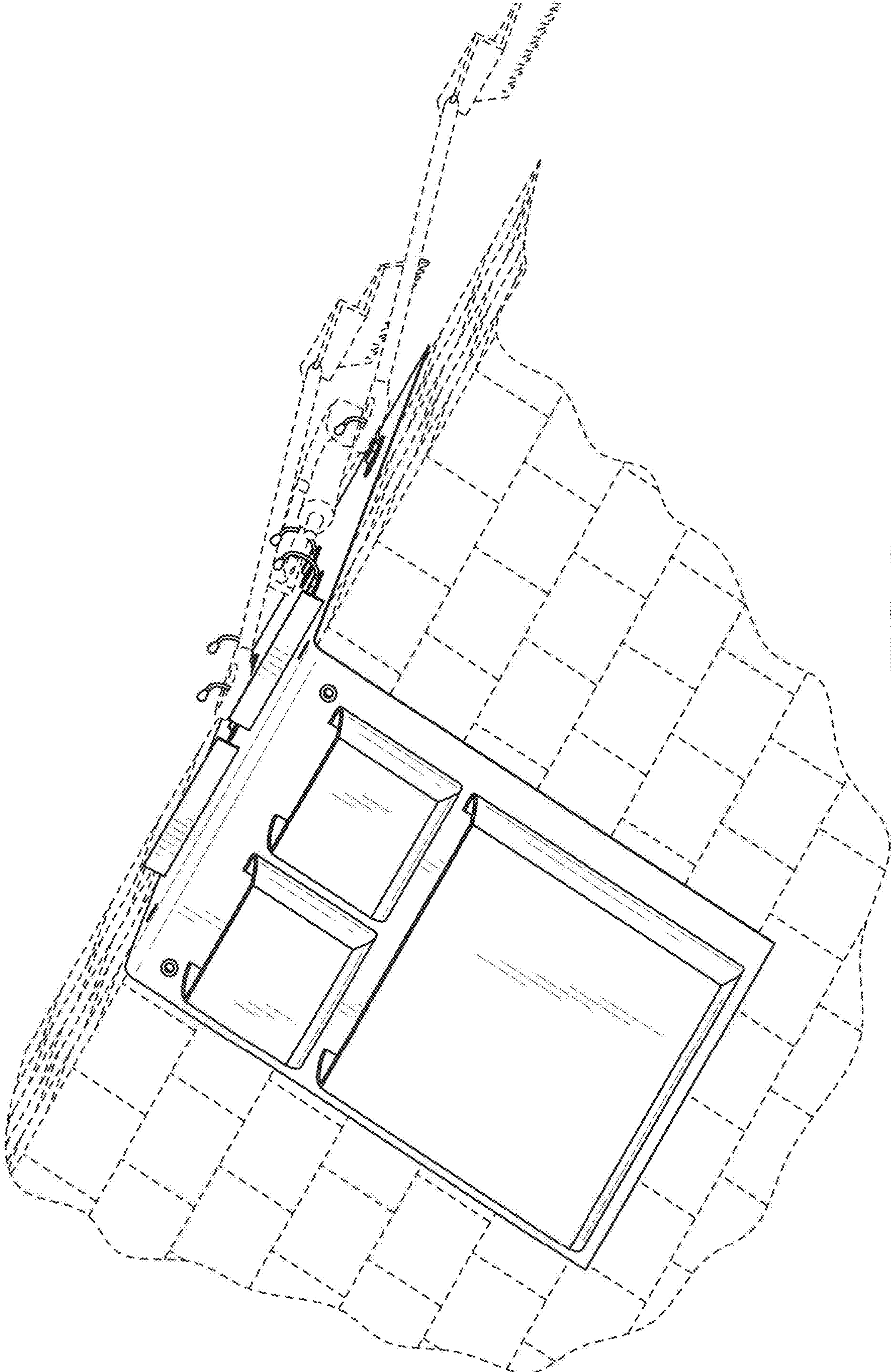


FIG. 2

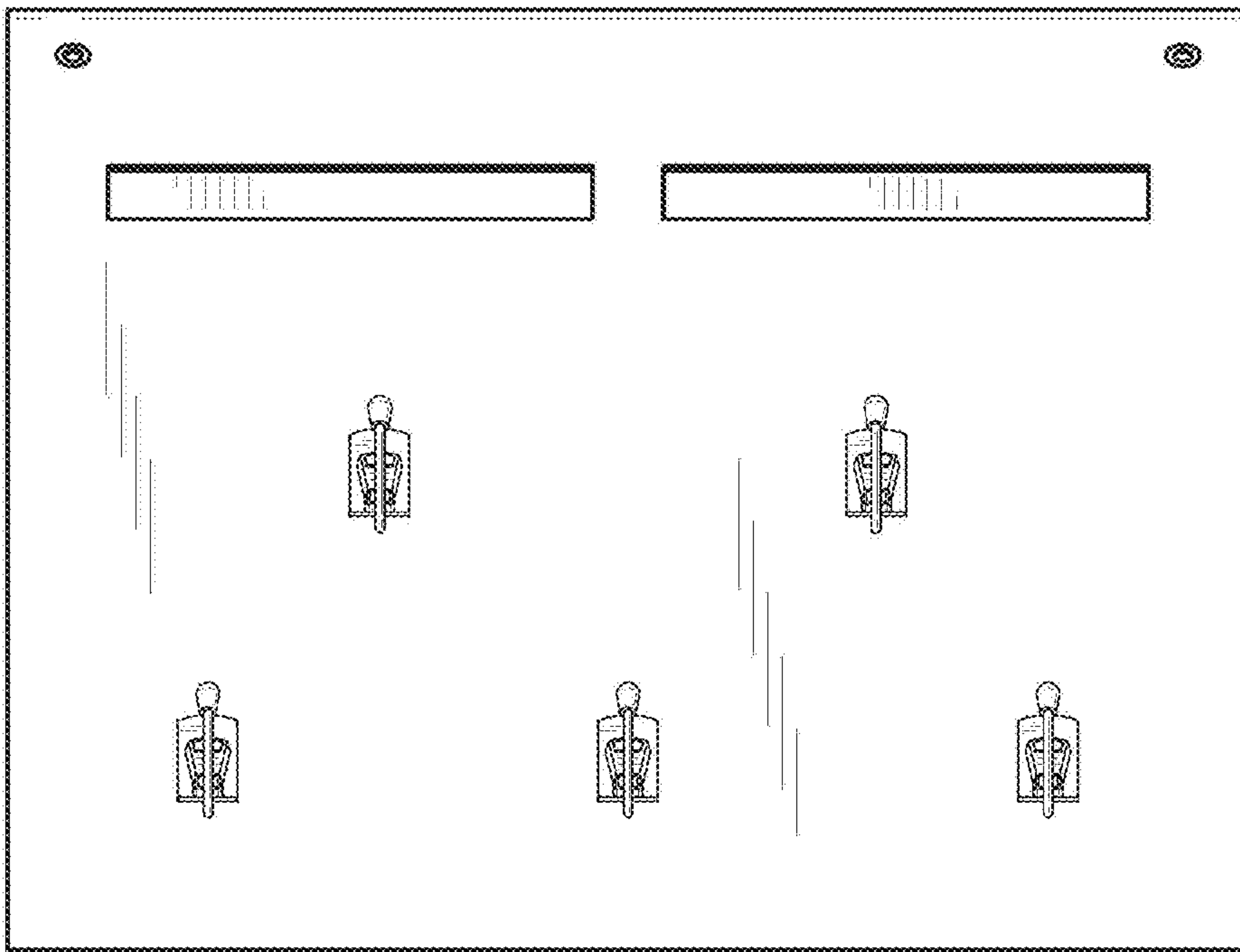


FIG. 3

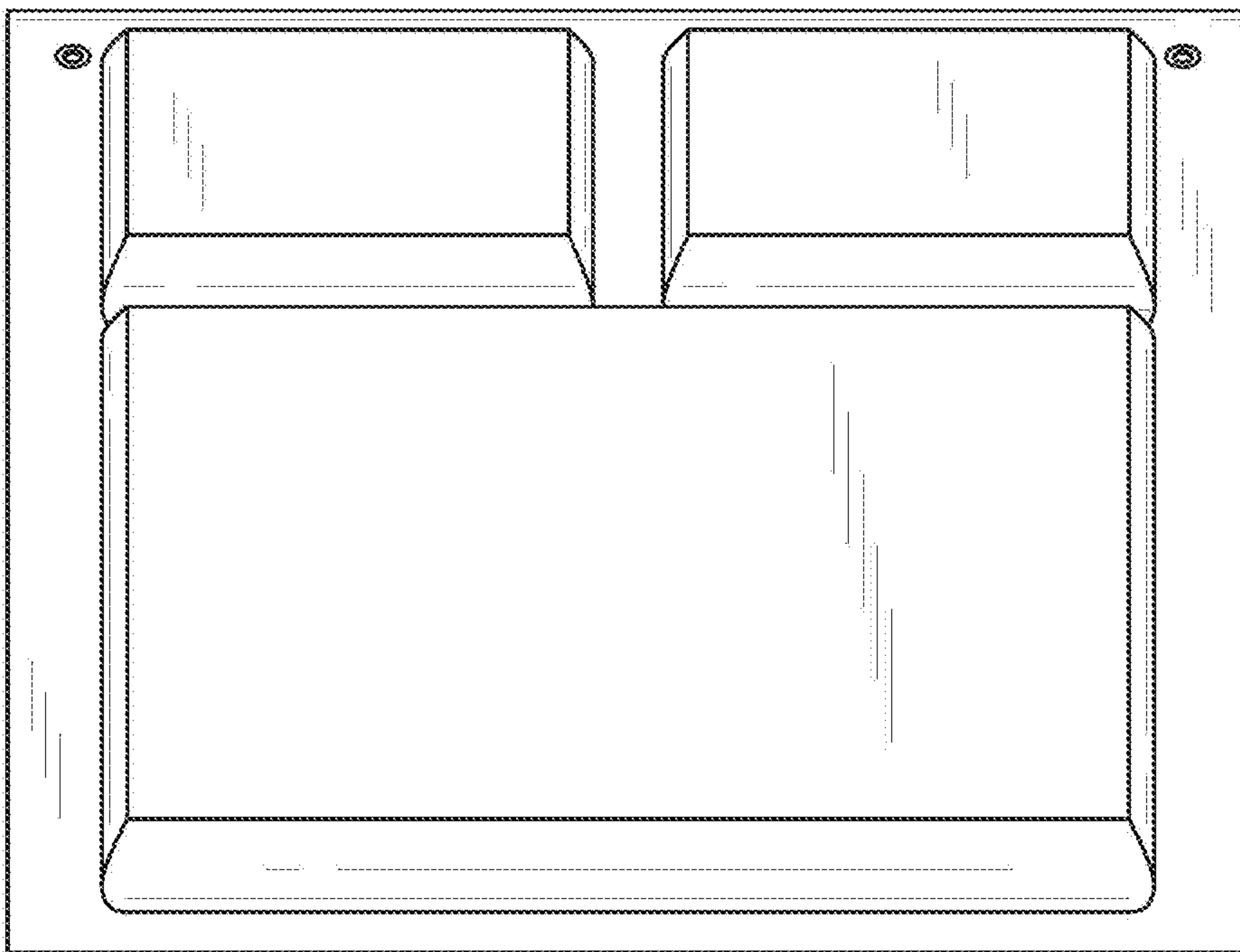


FIG. 4

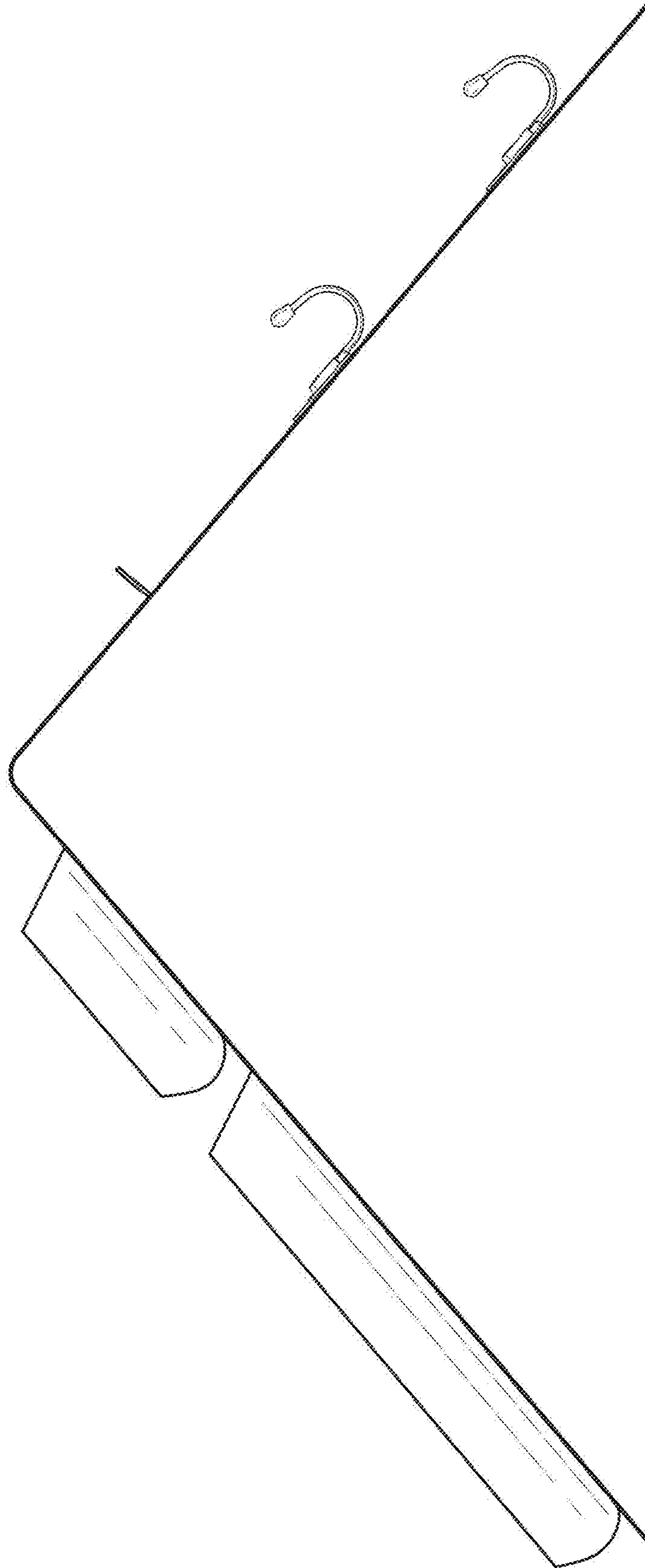


FIG. 5

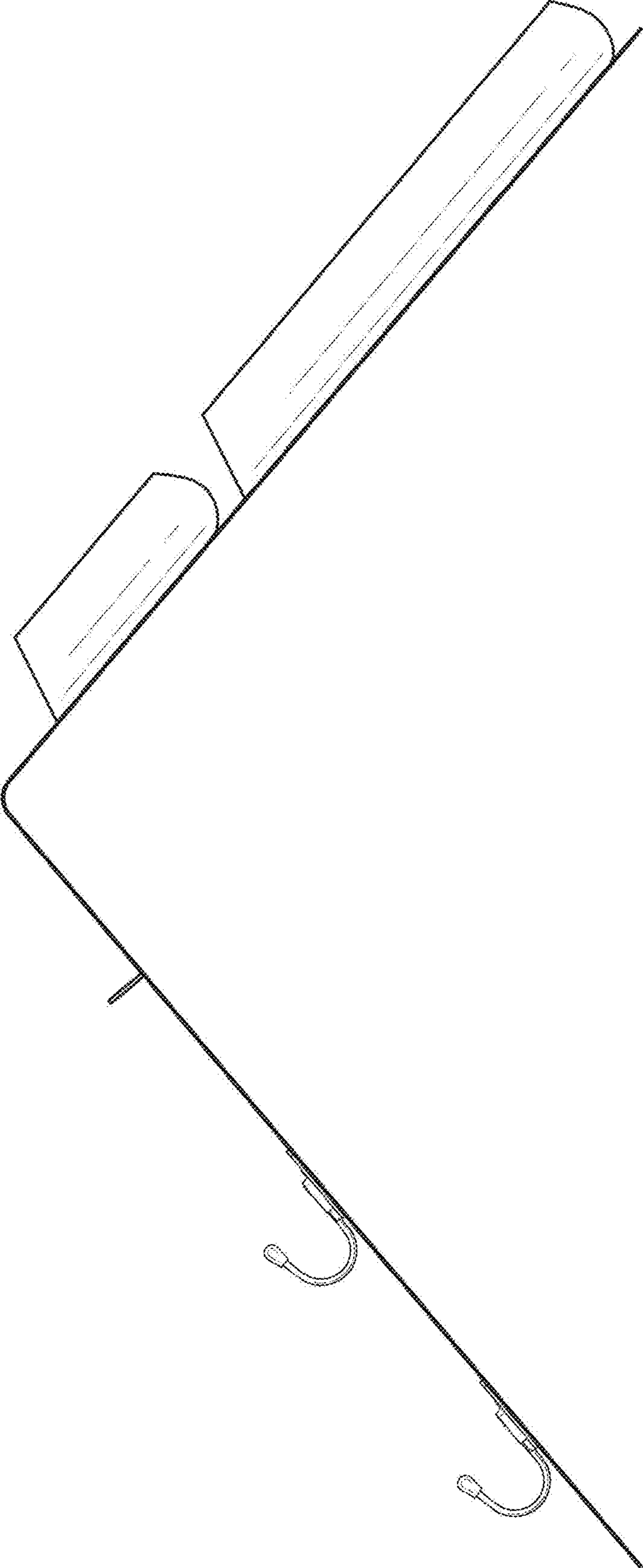


FIG. 6

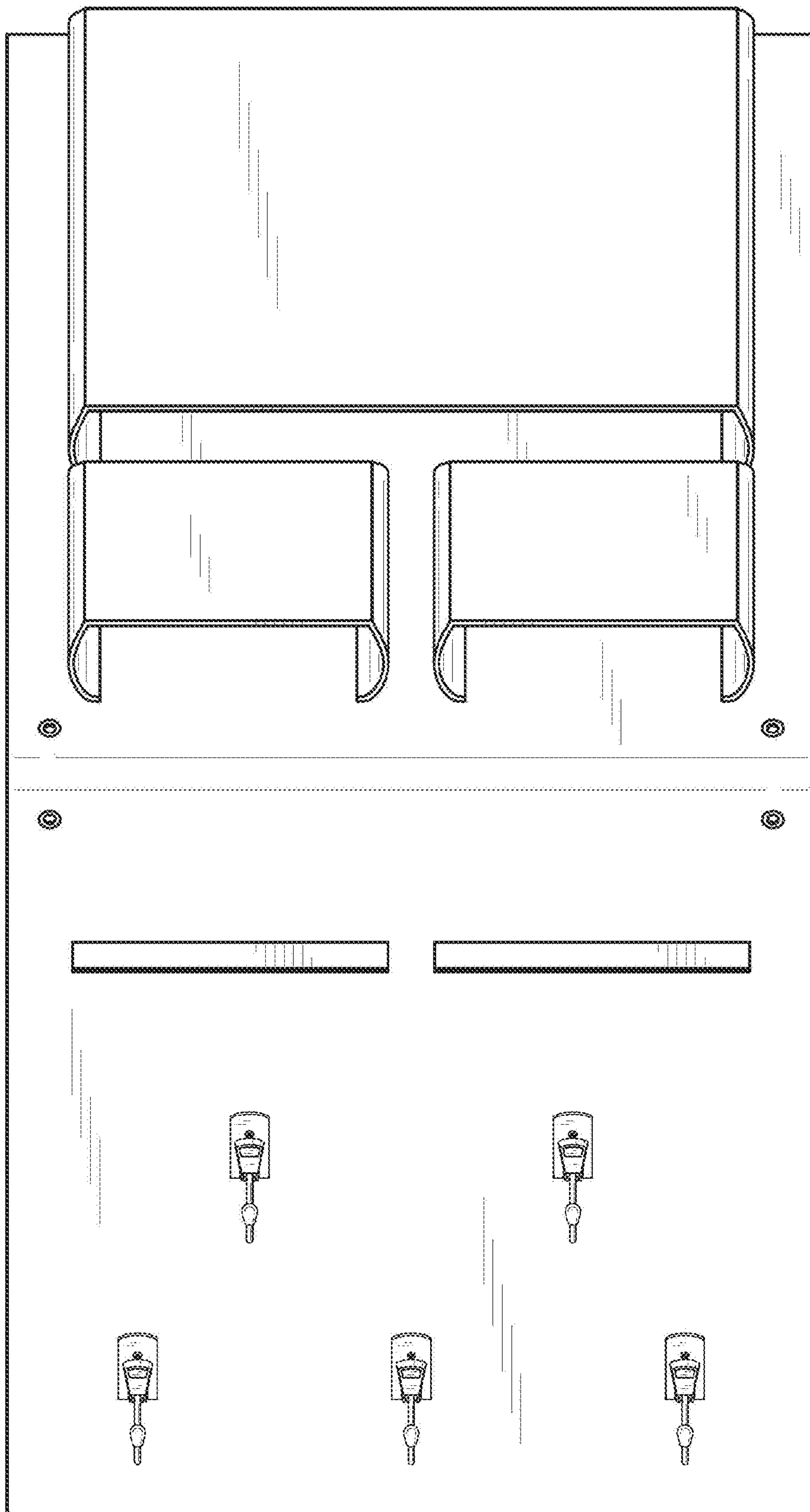


FIG. 7

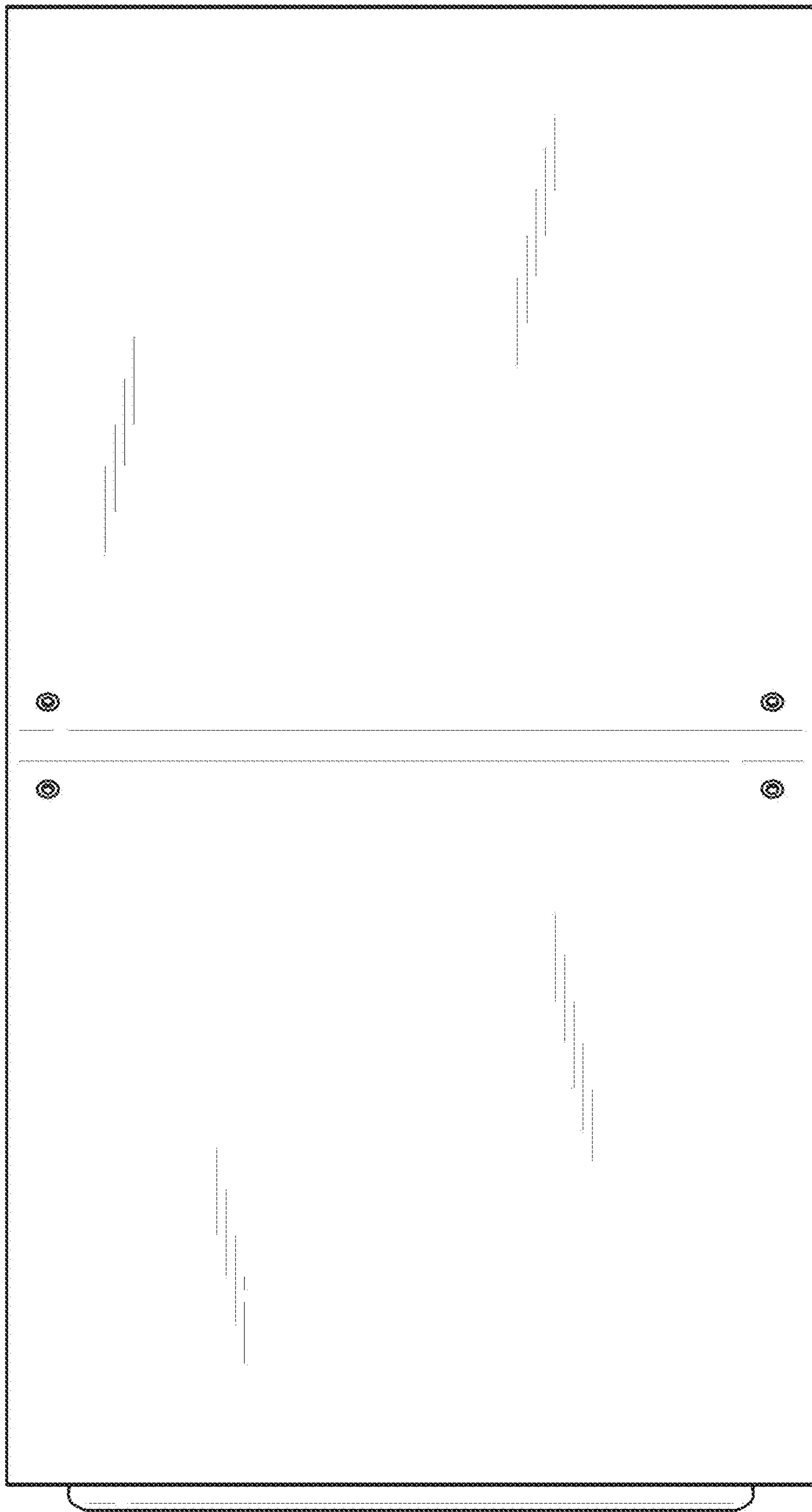


FIG. 8