

US00D969486S

(12) **United States Design Patent**
Hu

(10) **Patent No.:** **US D969,486 S**

(45) **Date of Patent:** **** Nov. 15, 2022**

(54) **ELECTRIC SHOE BOX**

(71) Applicant: **Yunshen Hu**, Shenzhen (CN)

(72) Inventor: **Yunshen Hu**, Shenzhen (CN)

(**) Term: **15 Years**

(21) Appl. No.: **29/745,793**

(22) Filed: **Aug. 10, 2020**

(51) **LOC (13) Cl.** **03-01**

(52) **U.S. Cl.**

USPC **D3/273; D3/272; D3/294; D3/302**

(58) **Field of Classification Search**

USPC D3/272, 273, 274, 201, 205, 206, 218,
D3/269, 282, 294, 302; D6/315, 326;
D7/391, 601, 641; D13/107, 108;
D14/201, 223; D32/9, 58; D19/86, 104;
D9/420, 423, 426, 428, 430, 431, 432,
D9/436, 499, 558, 717, 721

CPC H04R 1/1025; H02J 7/0044; Y02E 60/12;
Y01R 13/6675; B65D 85/182; B65D
73/02; A47F 8/02; A47F 1/00; A47B
87/0276; A47B 96/202

See application file for complete search history.

(56) **References Cited**

U.S. PATENT DOCUMENTS

- 3,722,971 A * 3/1973 Zeischegg A47B 47/042
312/107
- 3,841,725 A * 10/1974 Dorner A47B 87/00
312/107
- D289,105 S * 4/1987 Sussman D3/302
- 6,732,858 B1 * 5/2004 Chang Ou A47B 87/0276
206/278
- D535,102 S * 1/2007 Matsuda D3/302
- D584,053 S * 1/2009 Abdo D3/302
- D617,558 S * 6/2010 Myers D3/302
- D675,020 S * 1/2013 Mu D3/302

- D740,026 S * 10/2015 Yamamoto D3/297
- D785,331 S * 5/2017 Yamamoto D3/297
- D829,569 S * 10/2018 O'Neill D9/759

(Continued)

FOREIGN PATENT DOCUMENTS

- CN 304406267 * 12/2017
- CN 305128540 * 4/2019

(Continued)

OTHER PUBLICATIONS

Amazon.ca, Site visited Nov. 29, 2021, K.T.Z. Magnetic Side Open Transparent Plastic Shoe Storage Box , First available Oct. 27, 2019, <https://www.amazon.ca/K-T-Z-Magnetic-Transparent-Stackable-Foldable/dp/B07ZJ3L844> (Year: 2019).*

(Continued)

Primary Examiner — Brett Miller

Assistant Examiner — Jessica M Gebhart

(57)

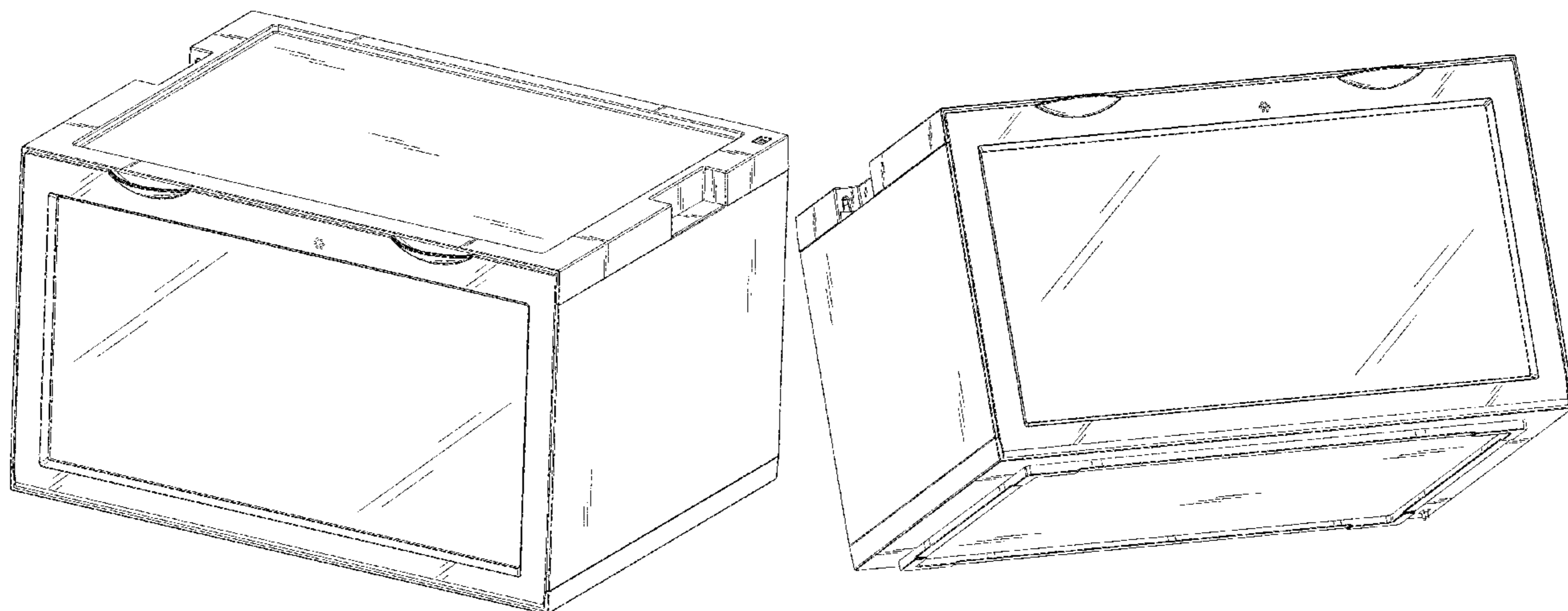
CLAIM

The ornamental design for an electric shoe box, as shown.

DESCRIPTION

FIG. 1 is a front elevational view of an electric shoe box showing my new design;
 FIG. 2 is a rear elevational view thereof;
 FIG. 3 is a left side view thereof;
 FIG. 4 is a right side view thereof;
 FIG. 5 is a top plan view thereof;
 FIG. 6 is a bottom plan view thereof;
 FIG. 7 is a perspective view thereof;
 FIG. 8 is a second perspective view thereof;
 FIG. 9 is a third perspective view thereof;
 FIG. 10 is a fourth perspective view thereof;
 FIG. 11 is a fifth perspective view thereof; and,
 FIG. 12 is a sixth perspective view thereof.

1 Claim, 12 Drawing Sheets



(56)

References Cited

U.S. PATENT DOCUMENTS

D836,339 S * 12/2018 Winn B65D 5/6697
 D3/294
 D841,327 S * 2/2019 Hsu D3/297
 D895,282 S * 9/2020 Plattner D3/272
 D899,773 S * 10/2020 Hu D3/304
 D920,670 S * 6/2021 Ritzberger D3/282
 2007/0039840 A1 * 2/2007 Mu B65D 5/46024
 206/278
 2008/0060964 A1 * 3/2008 Beckley B65D 21/0201
 206/504
 2014/0360899 A1 * 12/2014 Huang B65D 43/022
 206/278
 2015/0008814 A1 * 1/2015 Yamamoto A47B 87/0292
 312/334.27
 2018/0192772 A1 * 7/2018 Yamamoto A47B 88/941
 2019/0150614 A1 * 5/2019 McLean B65H 49/38

FOREIGN PATENT DOCUMENTS

CN 305263383 * 7/2019
 GB 6094985 * 7/2020

OTHER PUBLICATIONS

Youtube.com, Site visited Nov. 29, 2021: "This New Drop Front Shoe Box Is the Best Shoe Container (SupBro)," published by DNA Show on Jan. 15, 2020: <https://www.youtube.com/watch?v=FG7QKEyiP1k&lc=Ugw09RiZViF1vERCHkN4AaABAg> (Year: 2020).*

Amazon.com, Site visited Nov. 29, 2021, Songmics Shoe Boxes, First available Feb. 17, 2020, <https://www.amazon.com/dp/B084VGDD7M> (Year: 2020).*

Youtube.com, Site visited Nov. 29, 2021: "SupBro crates," published by Distinguished Kiks on Jun. 23, 2020, <https://www.youtube.com/watch?v=wnBedx6mP9E> (Year: 2020).*

Amazon.ca, Site visited Nov. 29, 2021, Xiao Jiu Home LED Voice Control Shoe Storage Boxes, First available Jul. 20, 2020, <https://www.amazon.ca/Adjustment-Stackable-Sneakers-shoe-rack/dp/B08D9CTGDX> (Year: 2020).*

* cited by examiner

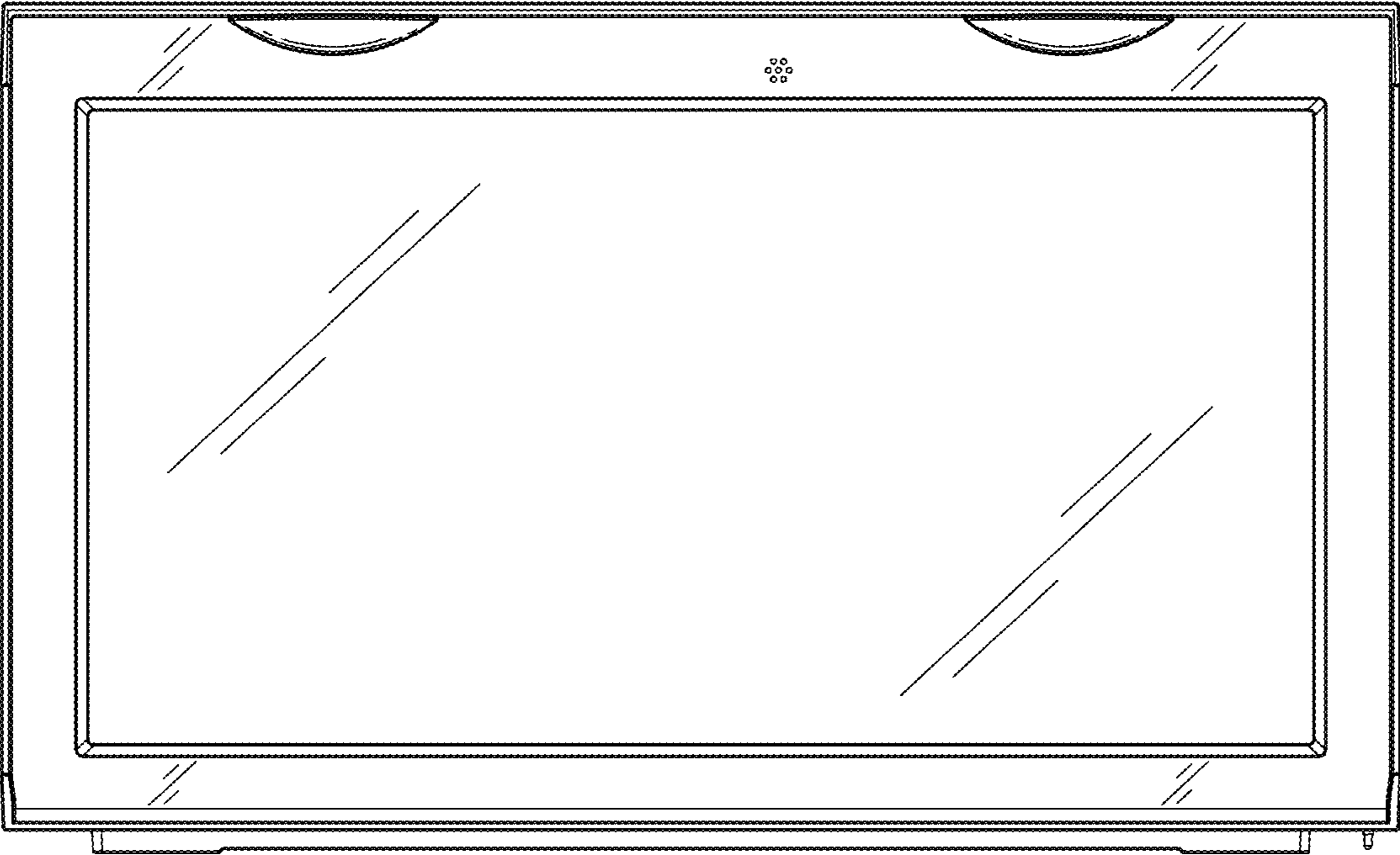


Fig. 1

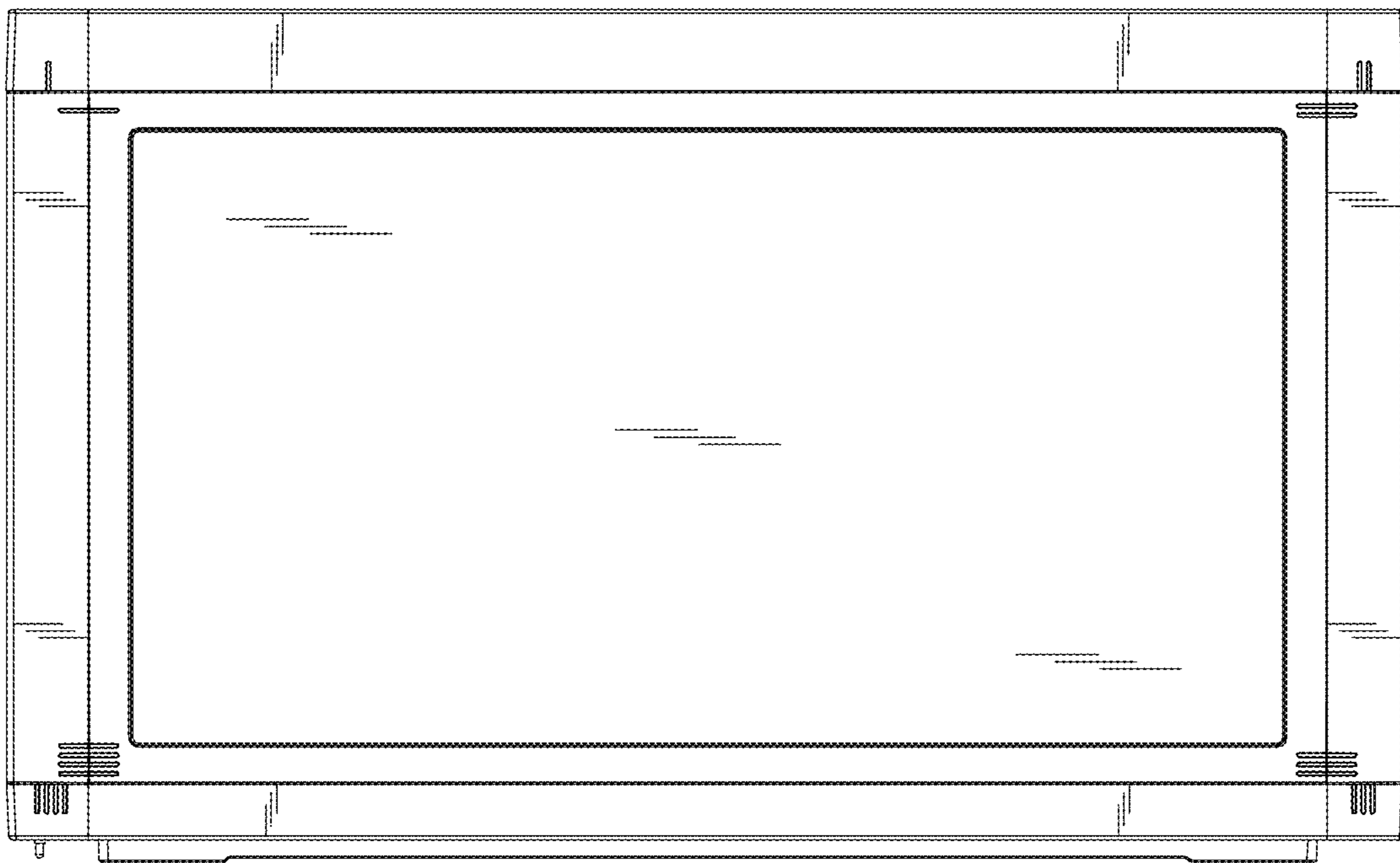


Fig. 2

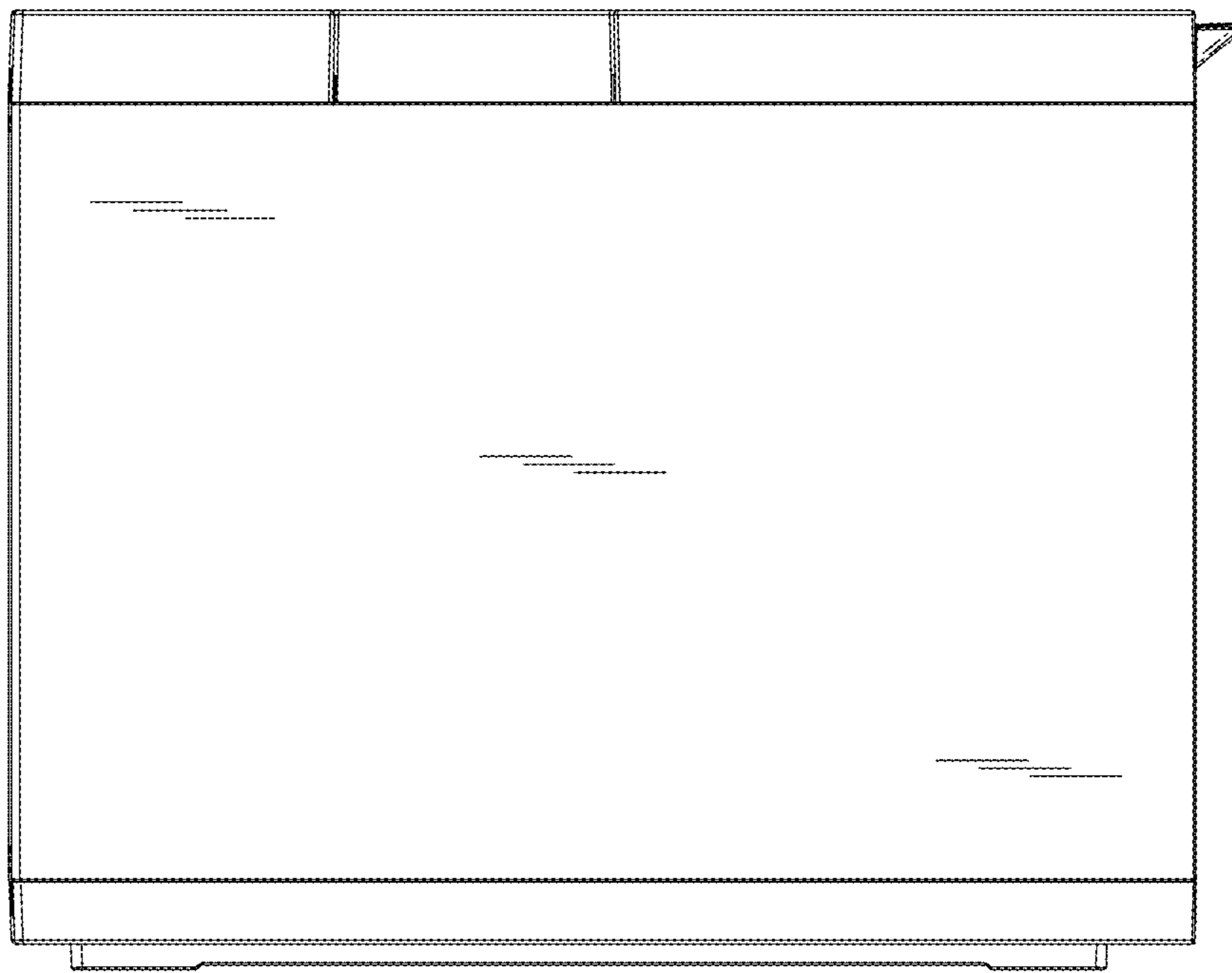


Fig.3

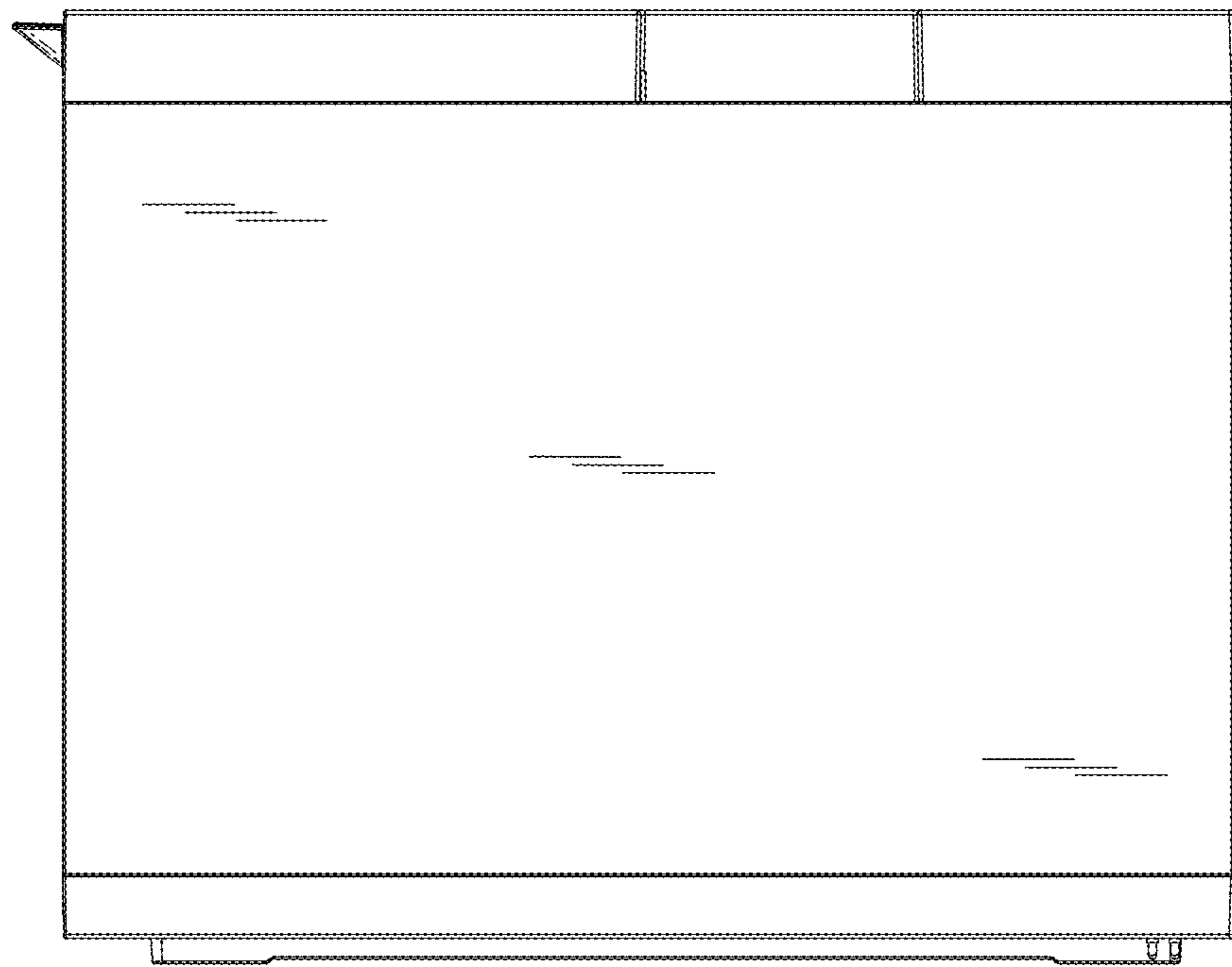


Fig.4

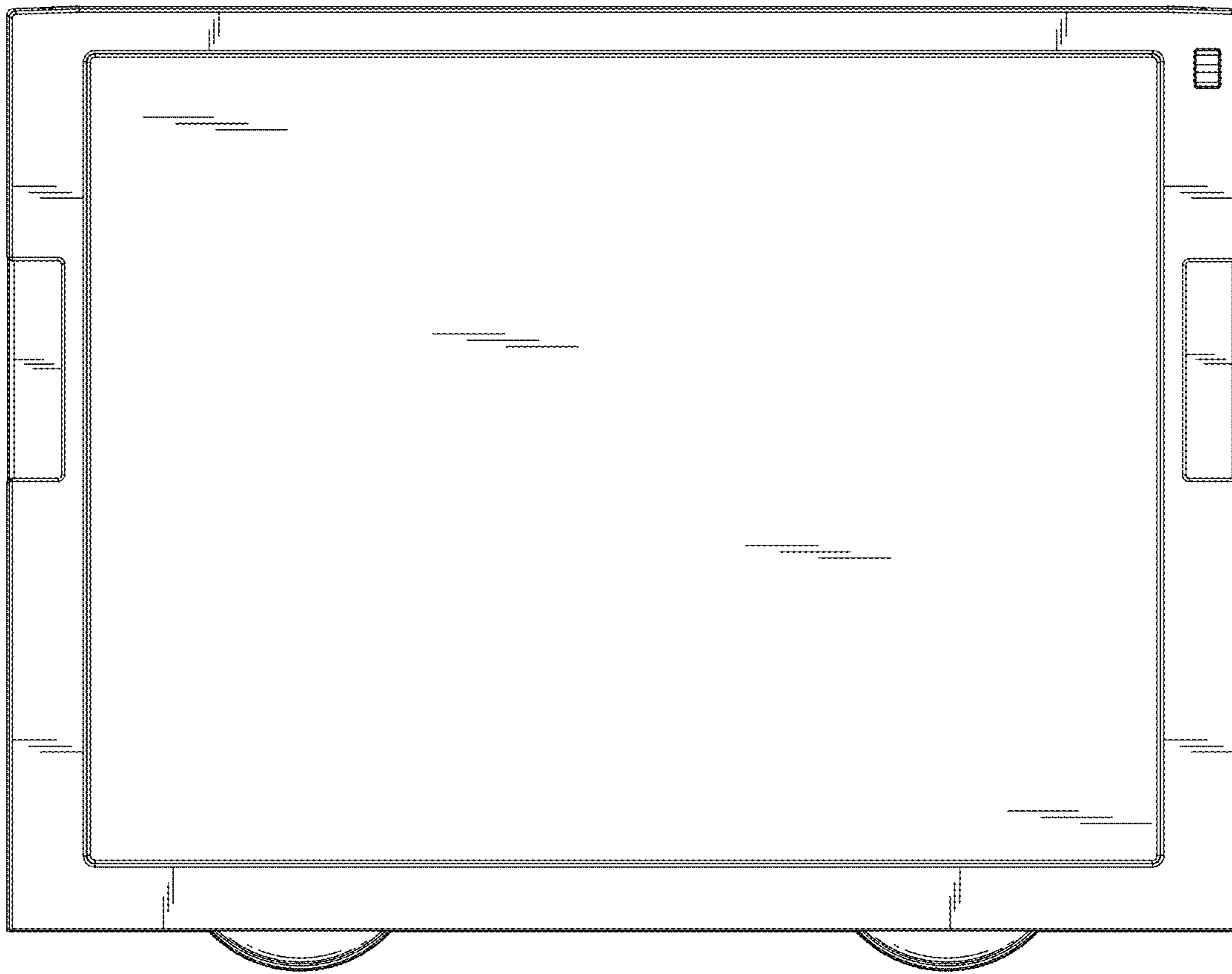


Fig.5

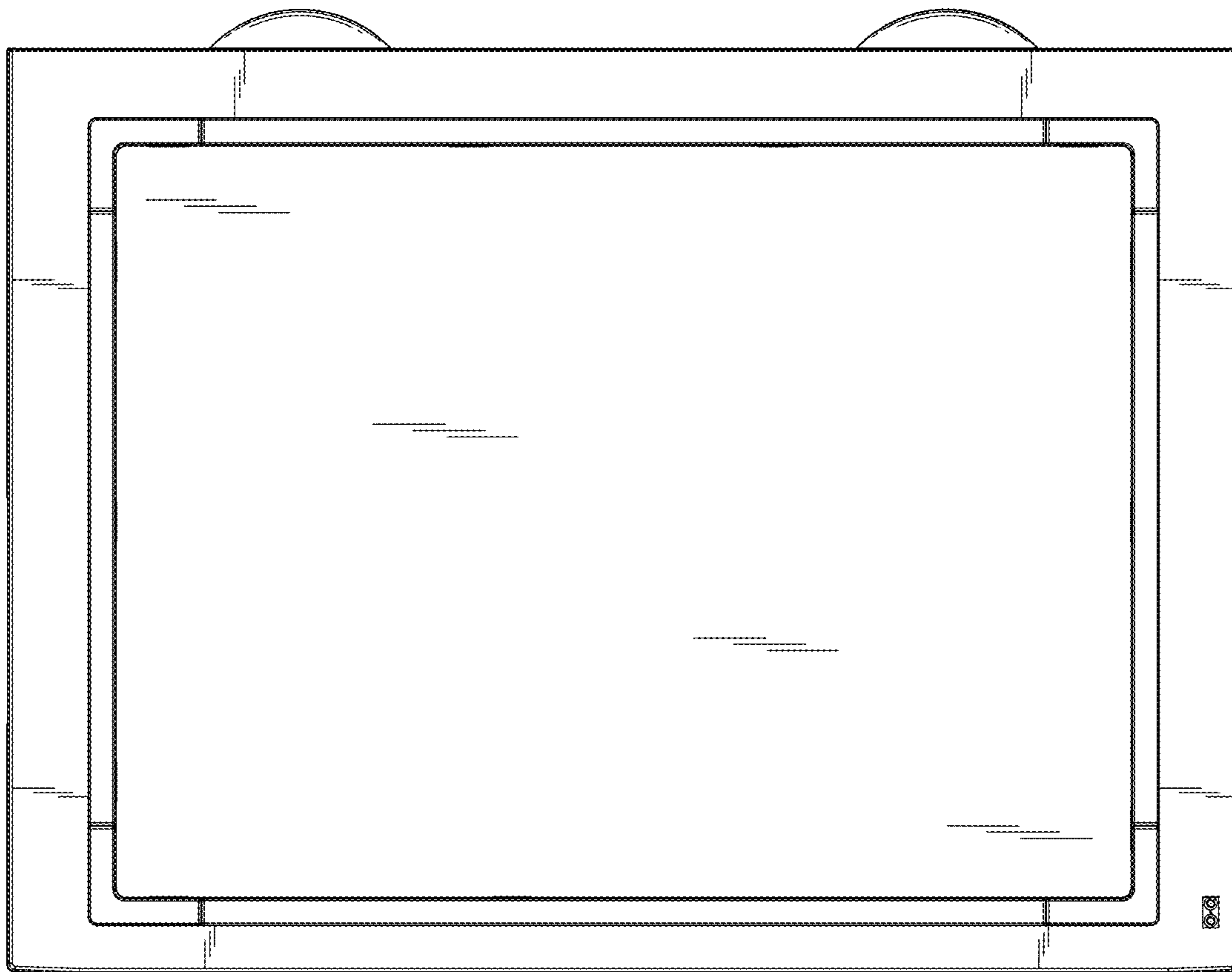


Fig. 6

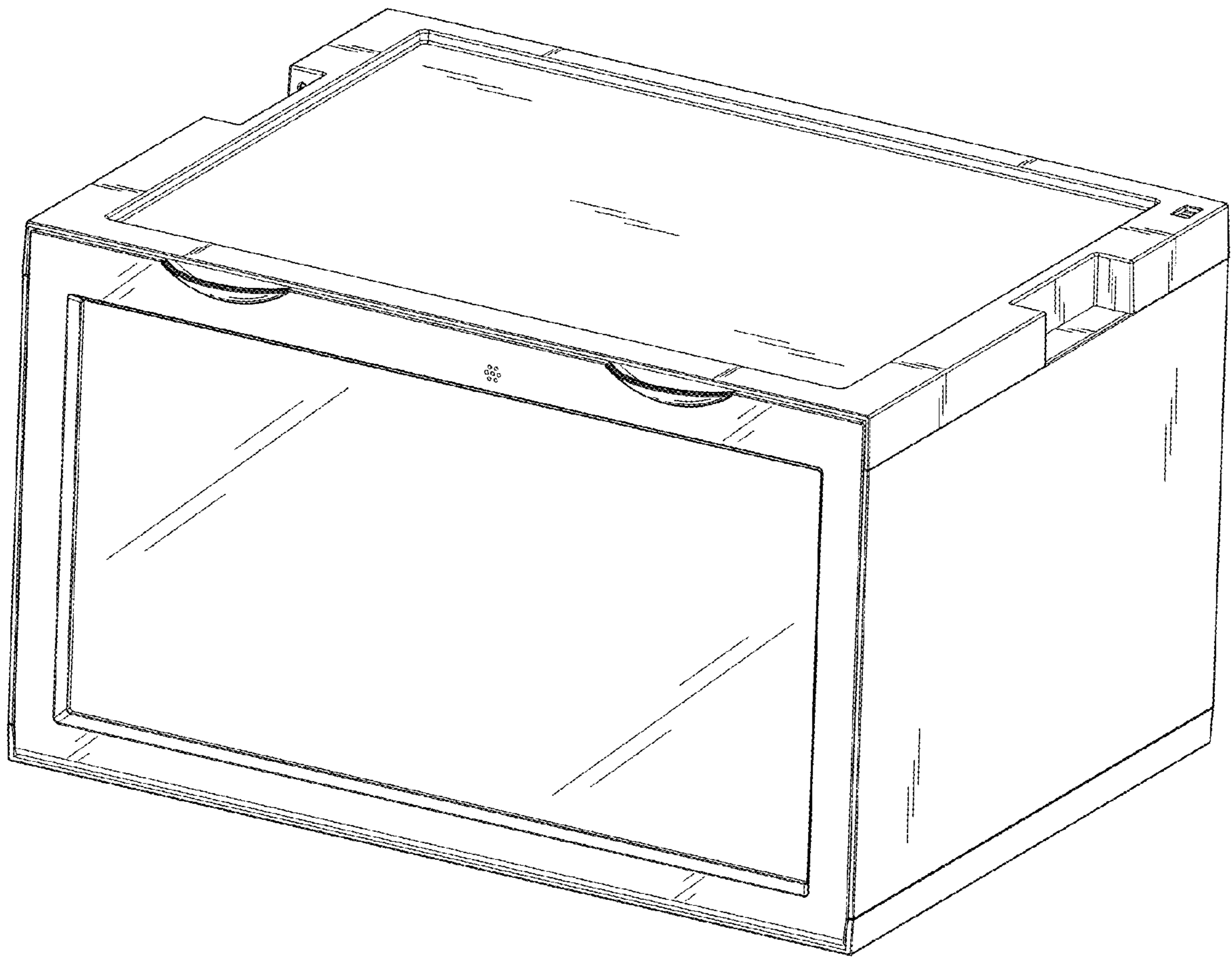


Fig. 7

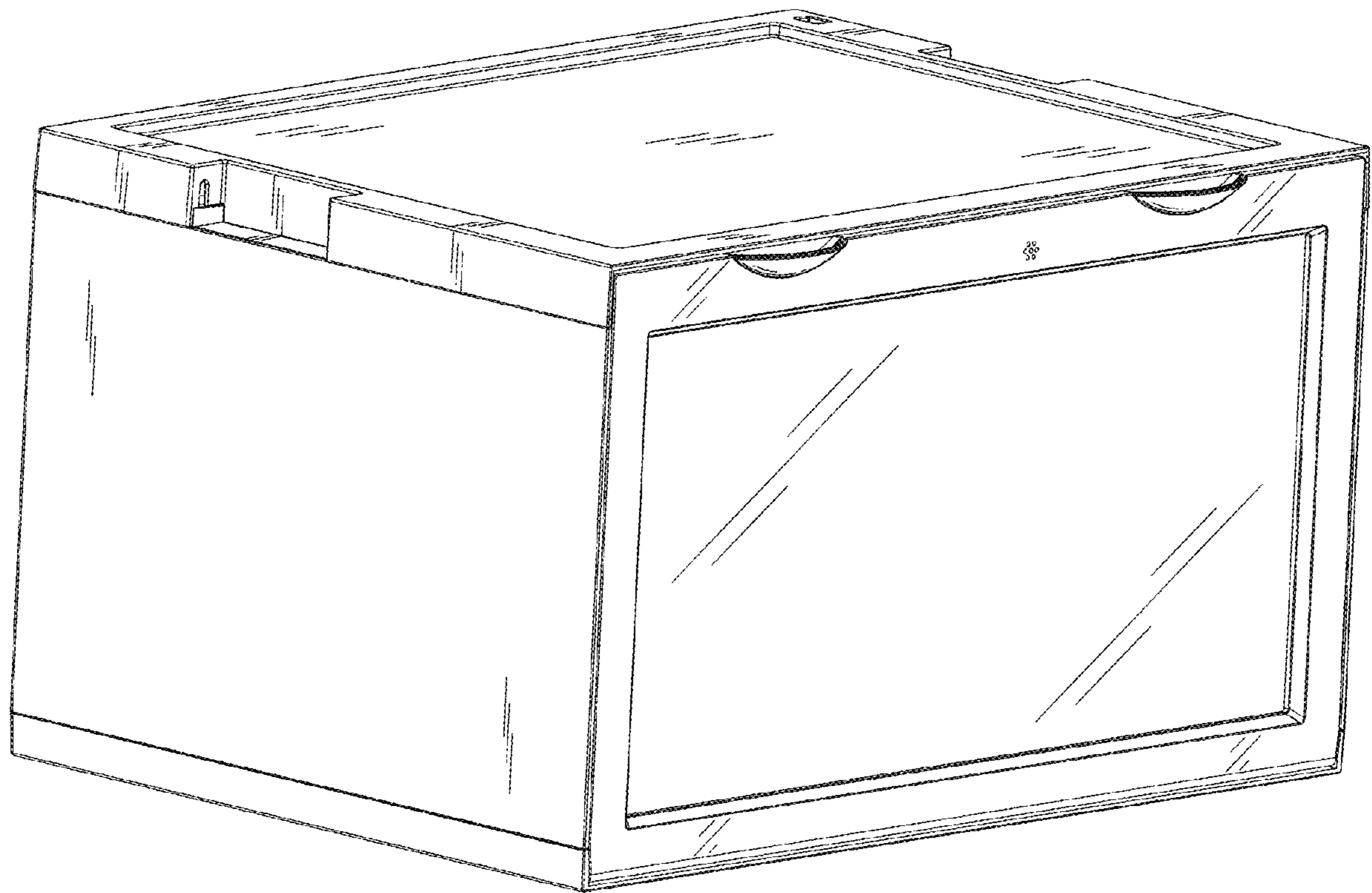


Fig. 8

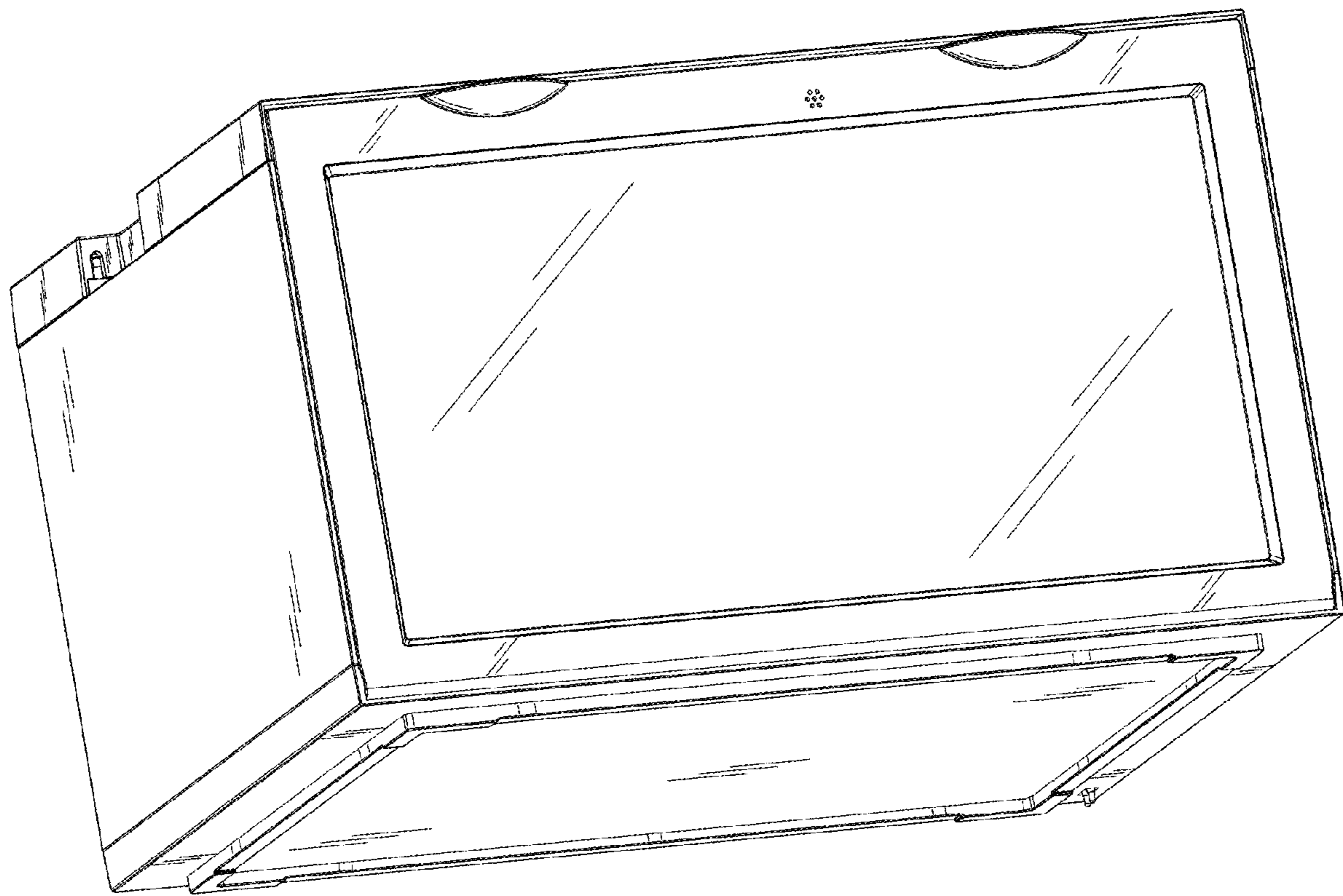


Fig. 9

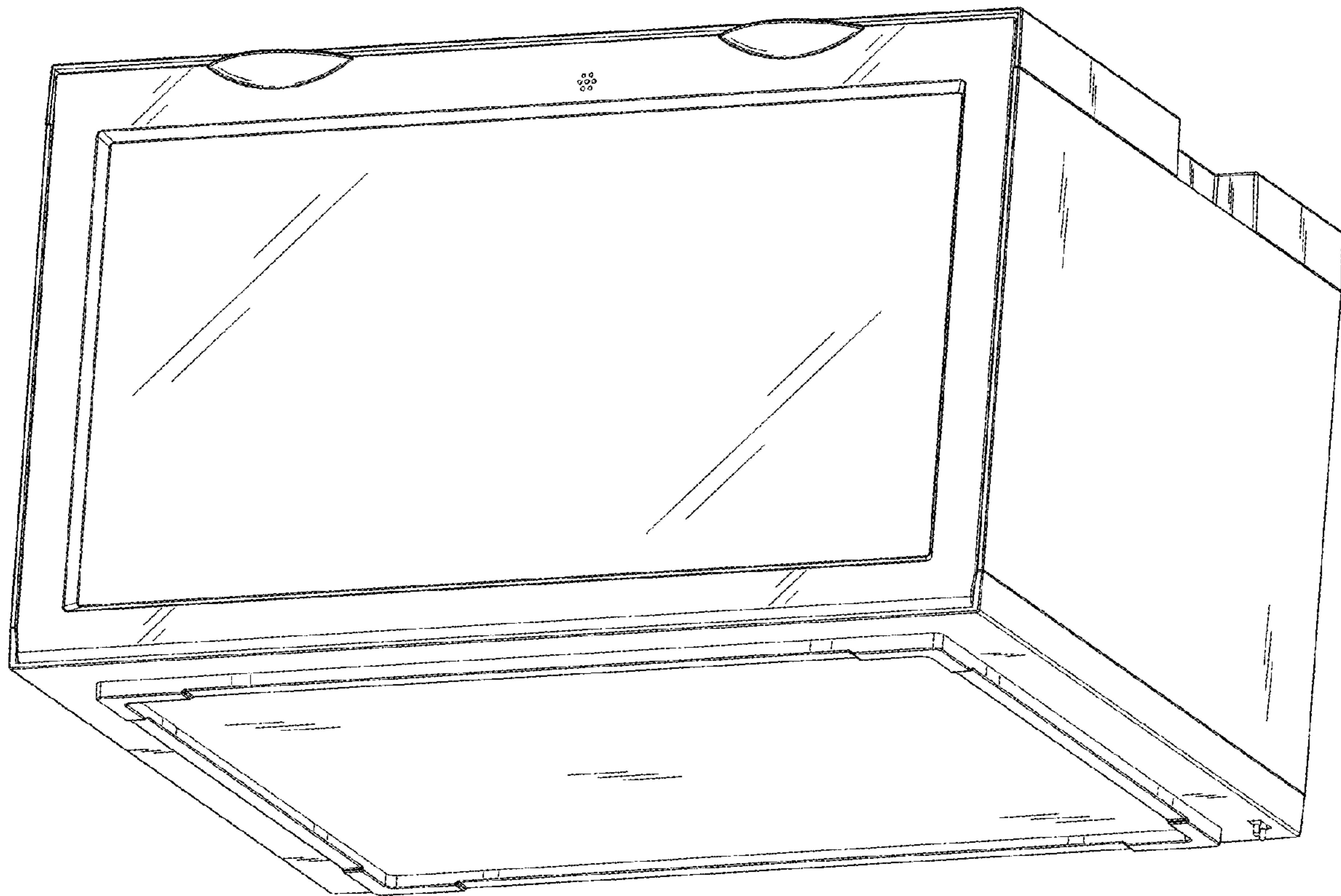


Fig. 10

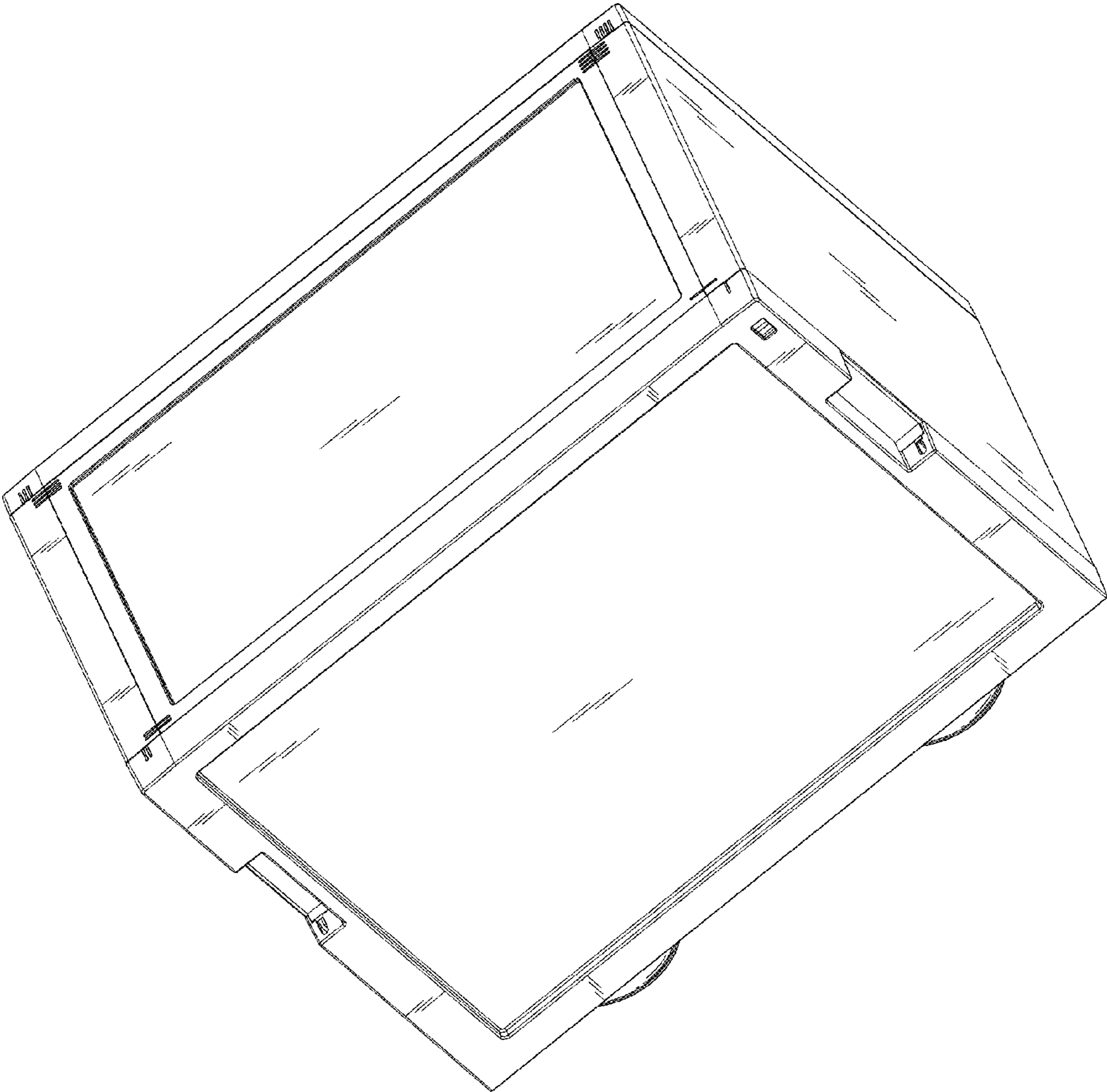


Fig. 11

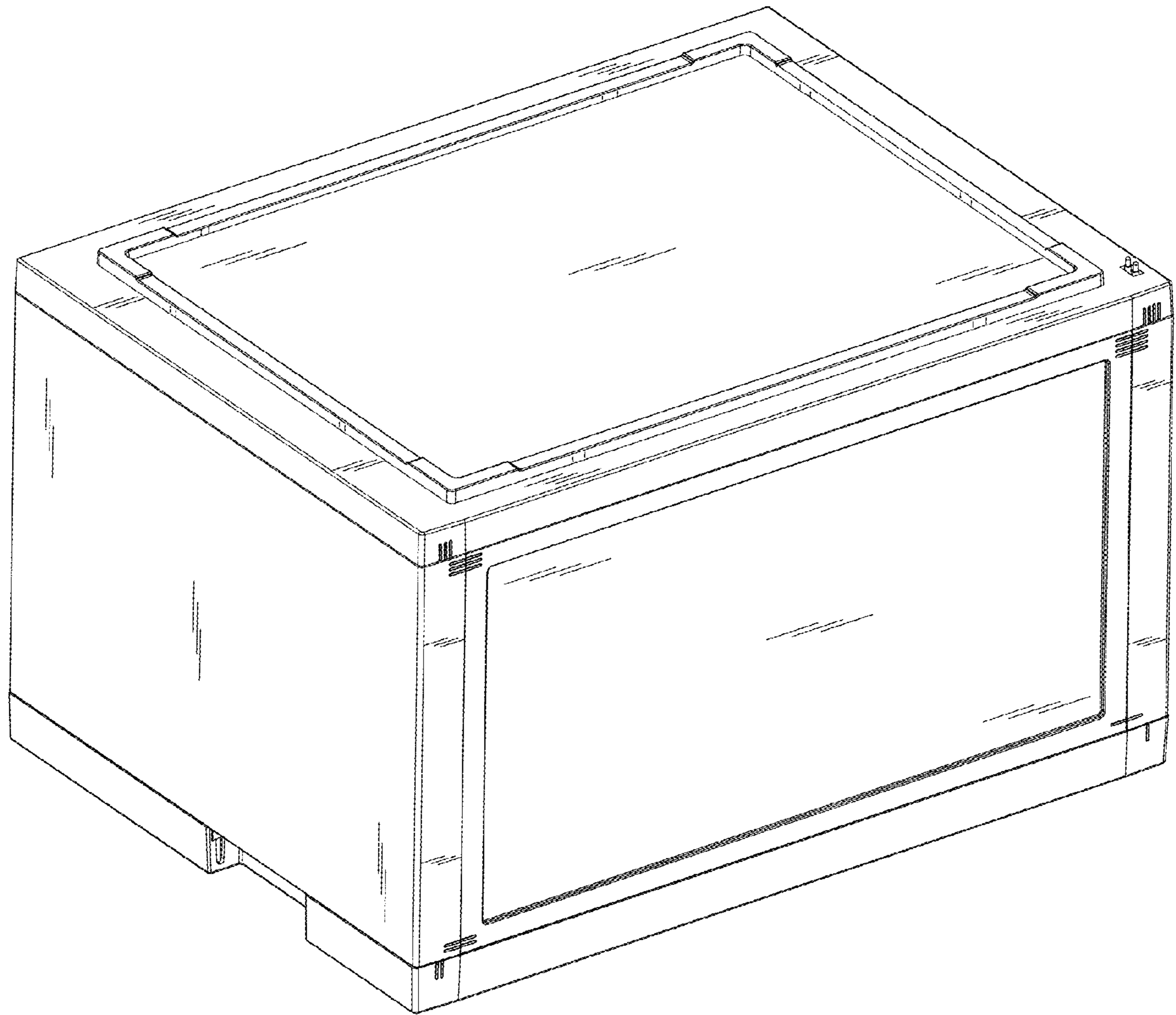


Fig. 12