



US00D969485S

(12) **United States Design Patent**  
**Chiu et al.**

(10) **Patent No.:** **US D969,485 S**

(45) **Date of Patent:** **\*\* Nov. 15, 2022**

(54) **BOX FOR TRANSPORTING BOARDS**

CPC ..... B65D 88/128; B65D 88/12; B65D 88/30;  
B65D 19/38; B62D 25/00; B62D 6/00;  
A47G 29/12

(71) Applicant: **GUDENG PRECISION INDUSTRIAL CO., LTD.**, New Taipei (TW)

See application file for complete search history.

(72) Inventors: **Ming-Chien Chiu**, New Taipei (TW);  
**Chih-Ming Lin**, New Taipei (TW);  
**Po-Ting Lee**, New Taipei (TW);  
**Cheng-En Chung**, New Taipei (TW);  
**Nien-Yun Yu**, New Taipei (TW);  
**Yi-Duang Huang**, New Taipei (TW);  
**Cheng-Han Chou**, New Taipei (TW)

(56) **References Cited**

U.S. PATENT DOCUMENTS

9,097,980 B2 \* 8/2015 Ku ..... G03F 1/66  
10,103,045 B2 \* 10/2018 Liu ..... G03F 1/66  
2021/0195817 A1 \* 6/2021 Kuroda ..... H05K 13/0857

\* cited by examiner

(73) Assignee: **GUDENG PRECISION INDUSTRIAL CO., LTD.**, New Taipei (TW)

*Primary Examiner* — April Rivas

(\*\*) Term: **15 Years**

(57) **CLAIM**

The ornamental design for a box for transporting boards, as shown and described.

(21) Appl. No.: **29/755,473**

**DESCRIPTION**

(22) Filed: **Oct. 21, 2020**

(30) **Foreign Application Priority Data**

Aug. 13, 2020 (TW) ..... 109304552

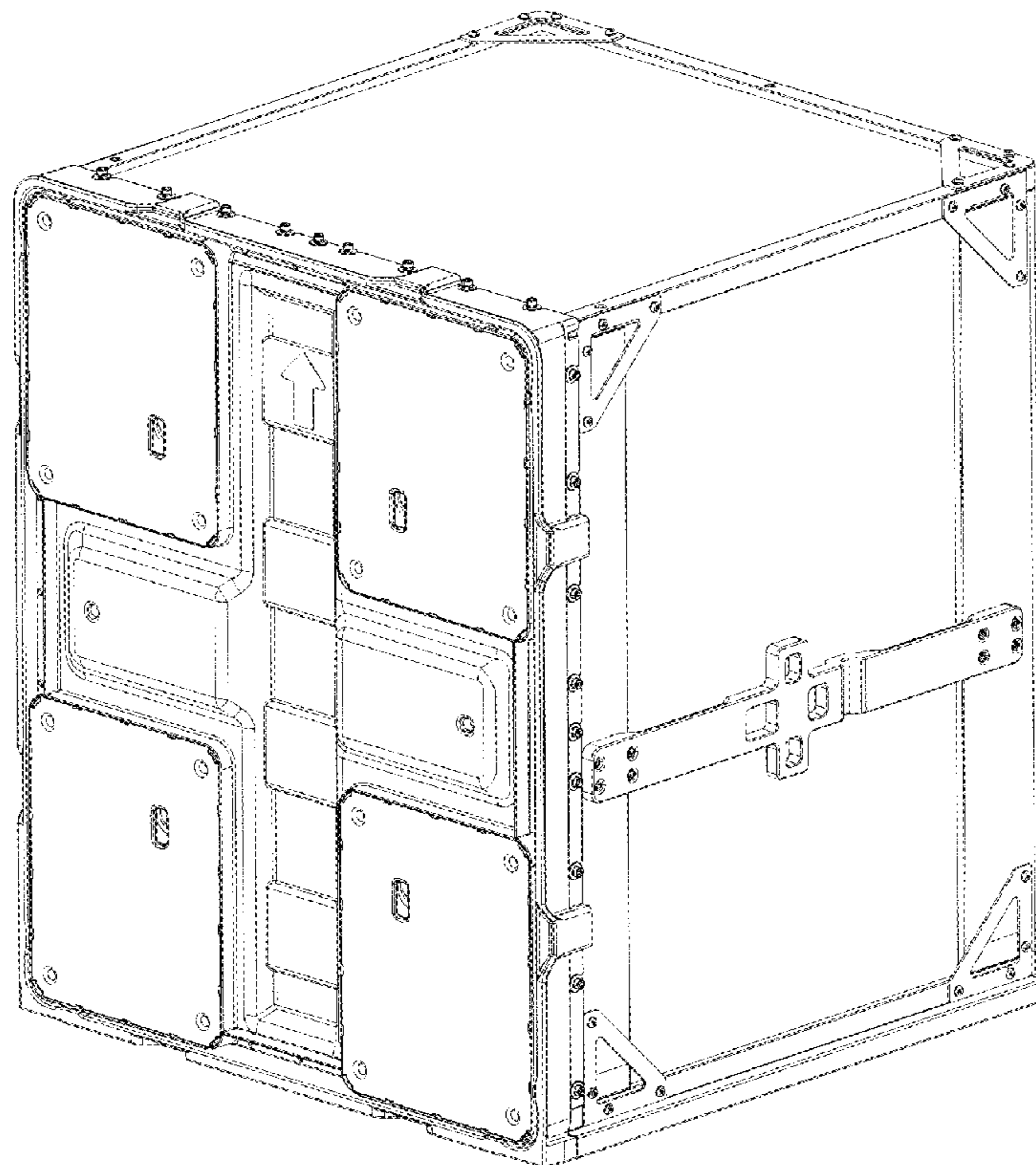
(51) **LOC (13) Cl.** ..... **03-01**

(52) **U.S. Cl.**  
USPC ..... **D3/272; D13/184**

(58) **Field of Classification Search**  
USPC ..... **D3/272; D12/413; D23/202; D13/182, D13/184**

FIG. 1 is a perspective view of a box for transporting boards showing my new design;  
FIG. 2 is a front elevation view thereof;  
FIG. 3 is a rear elevation view thereof;  
FIG. 4 is a left side elevation view thereof;  
FIG. 5 is a right side elevation view thereof;  
FIG. 6 is a top plan view thereof; and,  
FIG. 7 is a bottom plan view thereof.  
The broken lines illustrate portions of box for transporting boards and form no part of the claimed design.

**1 Claim, 7 Drawing Sheets**



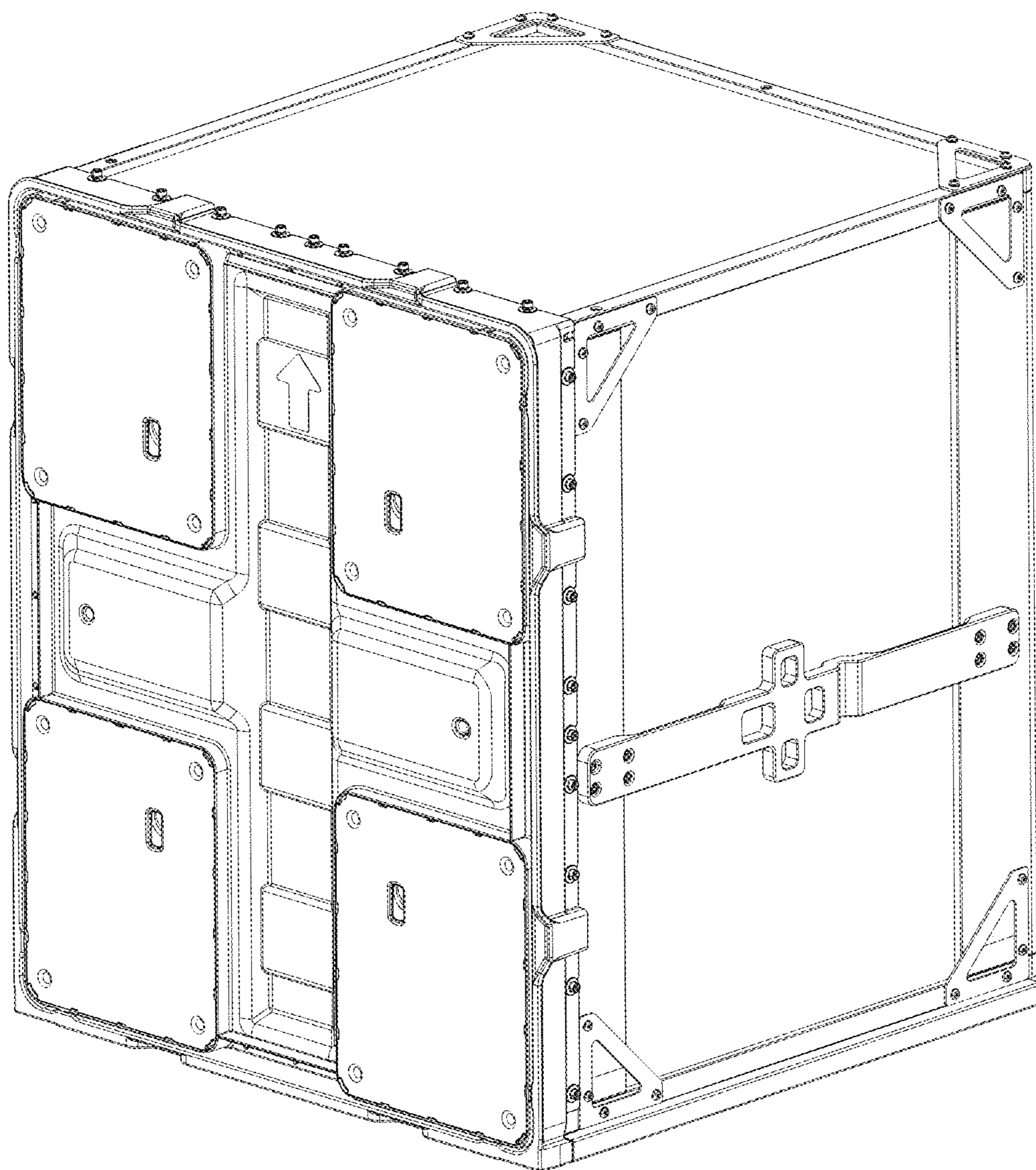


FIG. 1

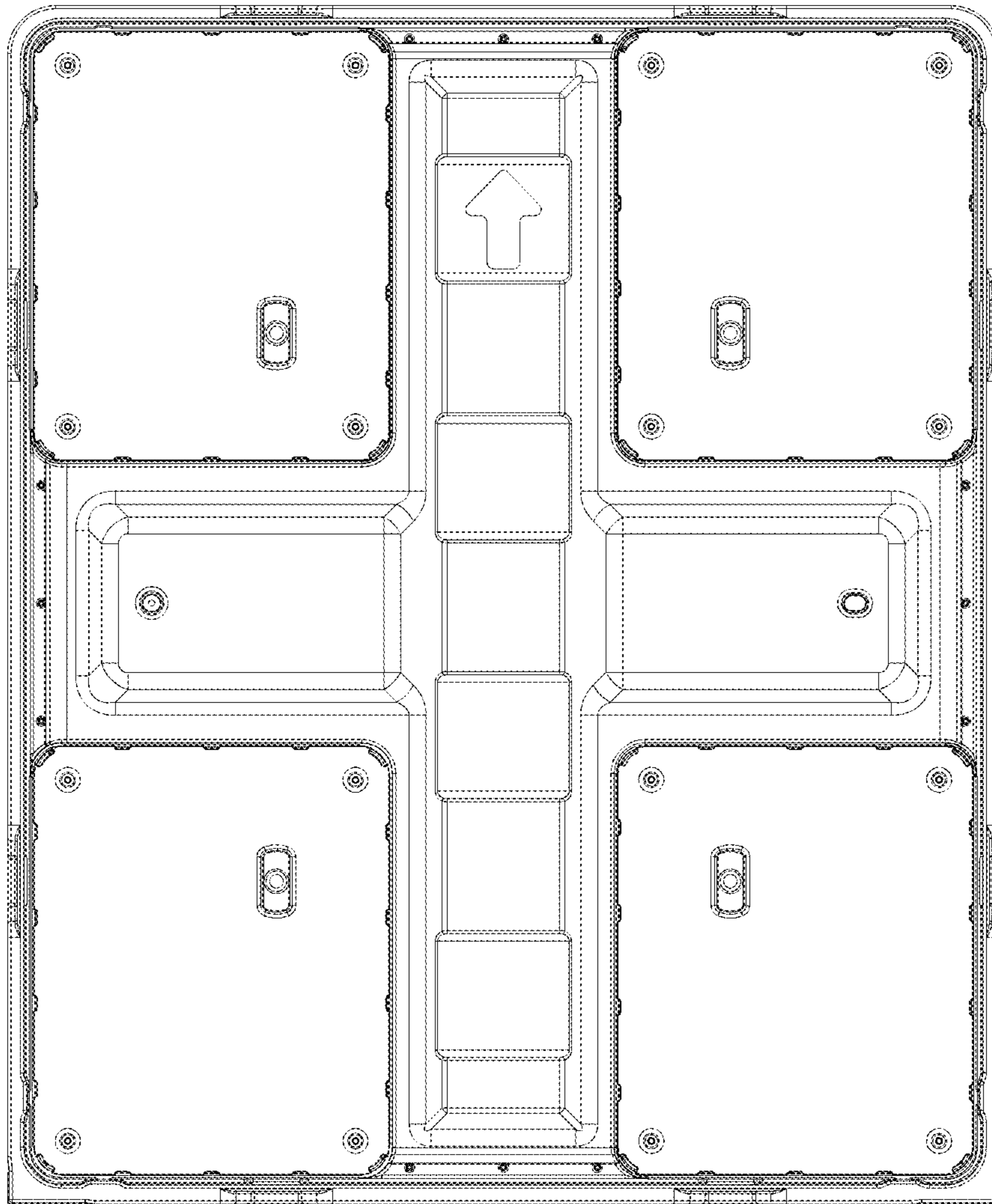


FIG. 2

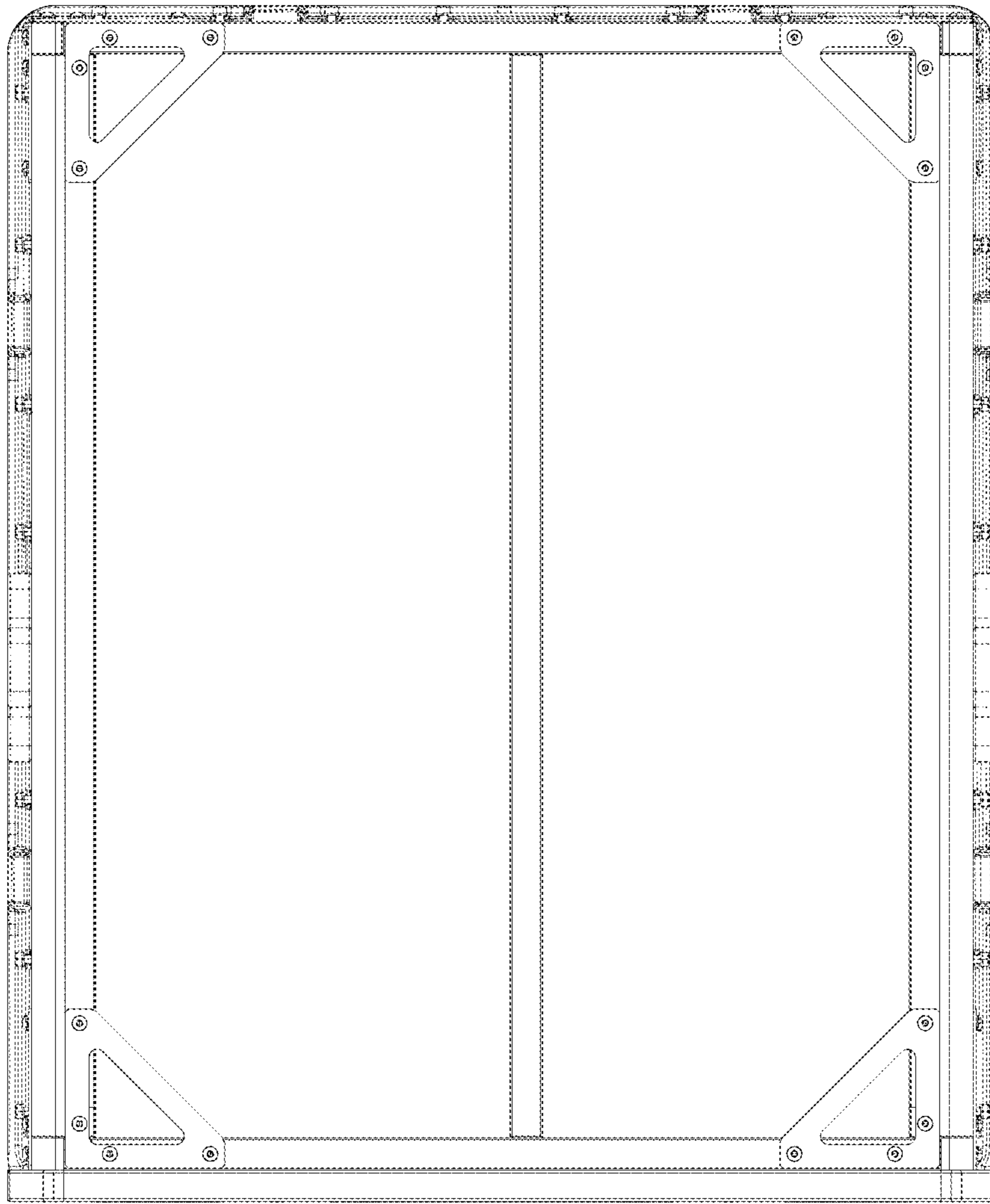


FIG. 3

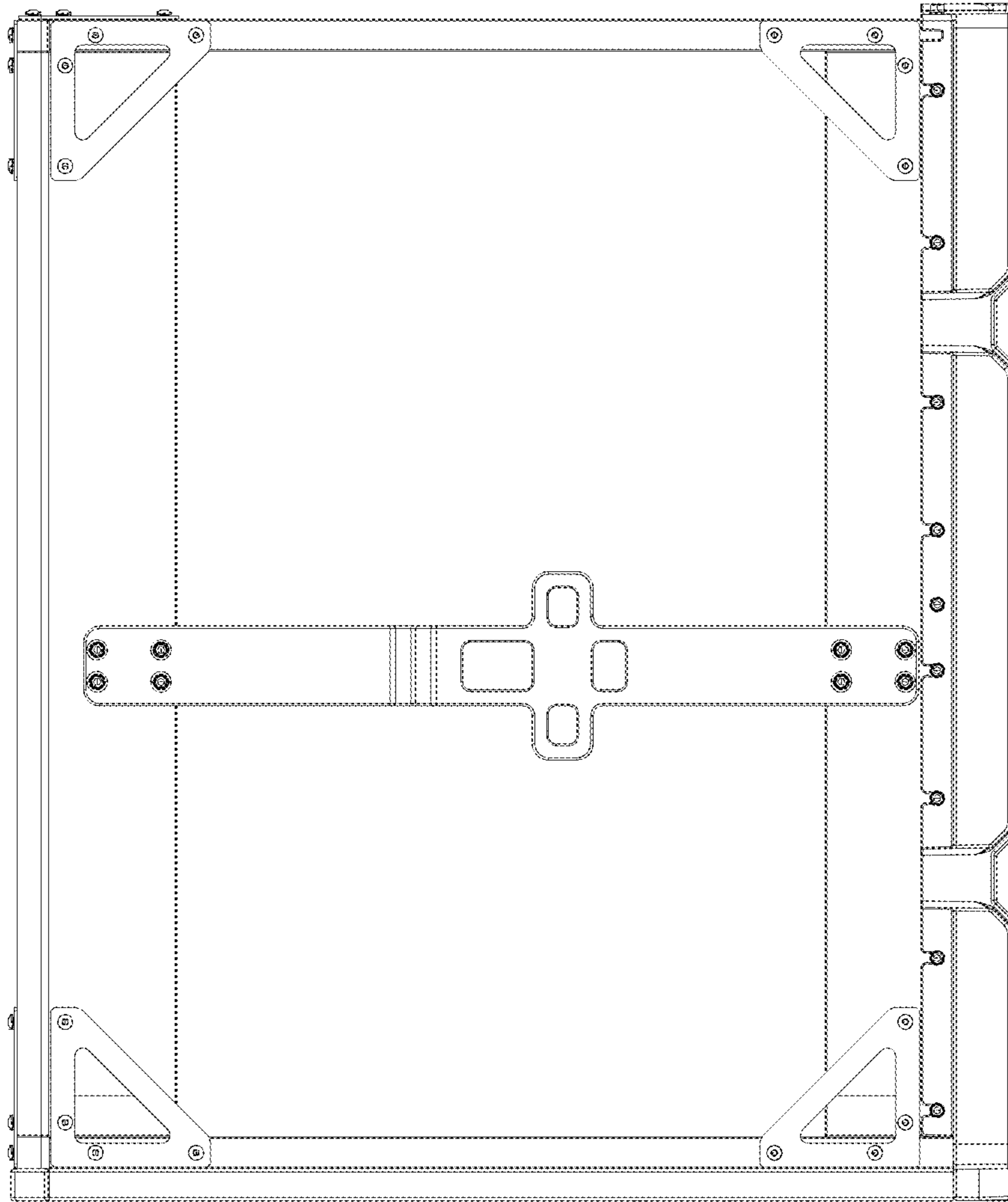


FIG. 4

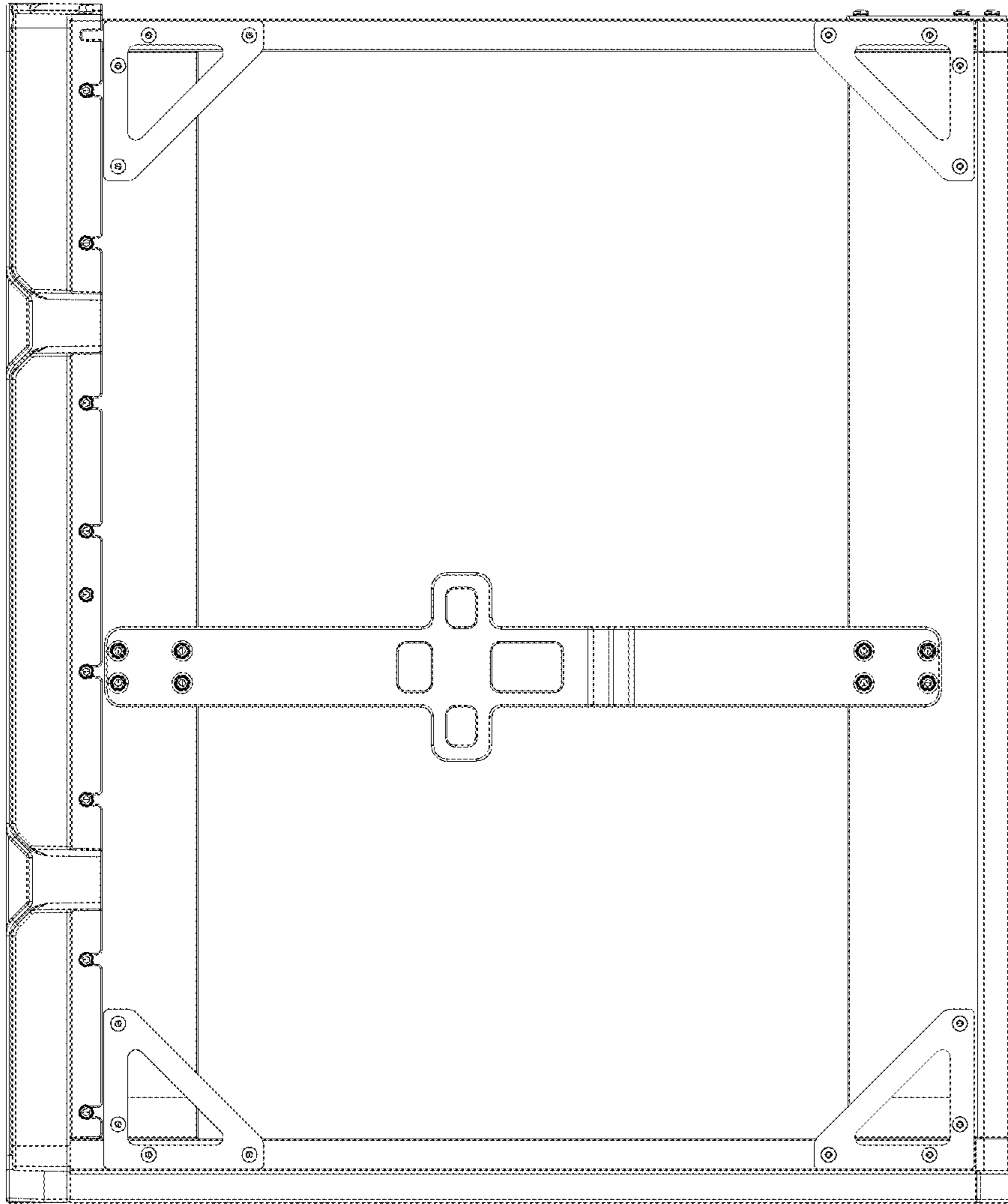


FIG. 5

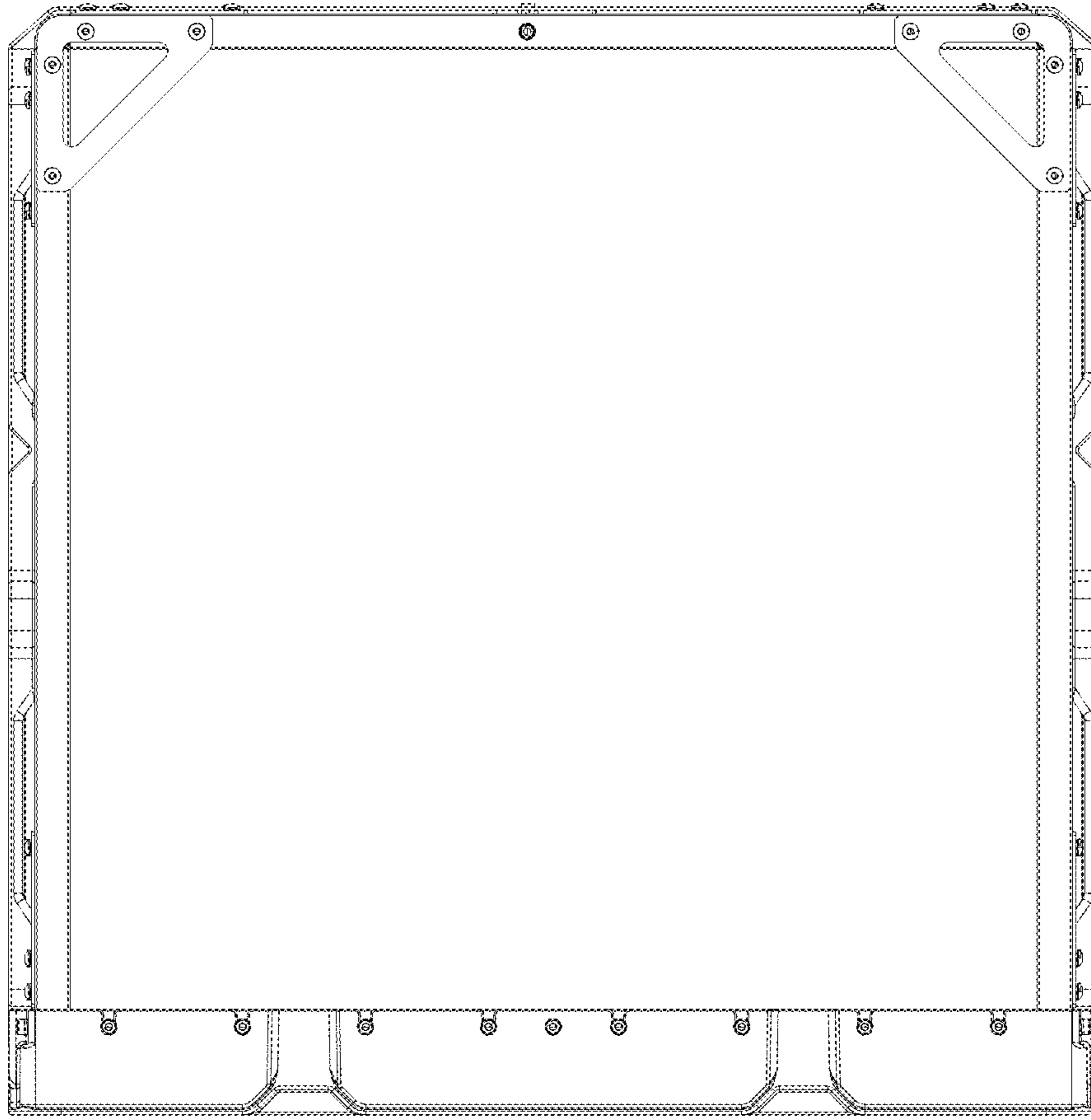


FIG. 6

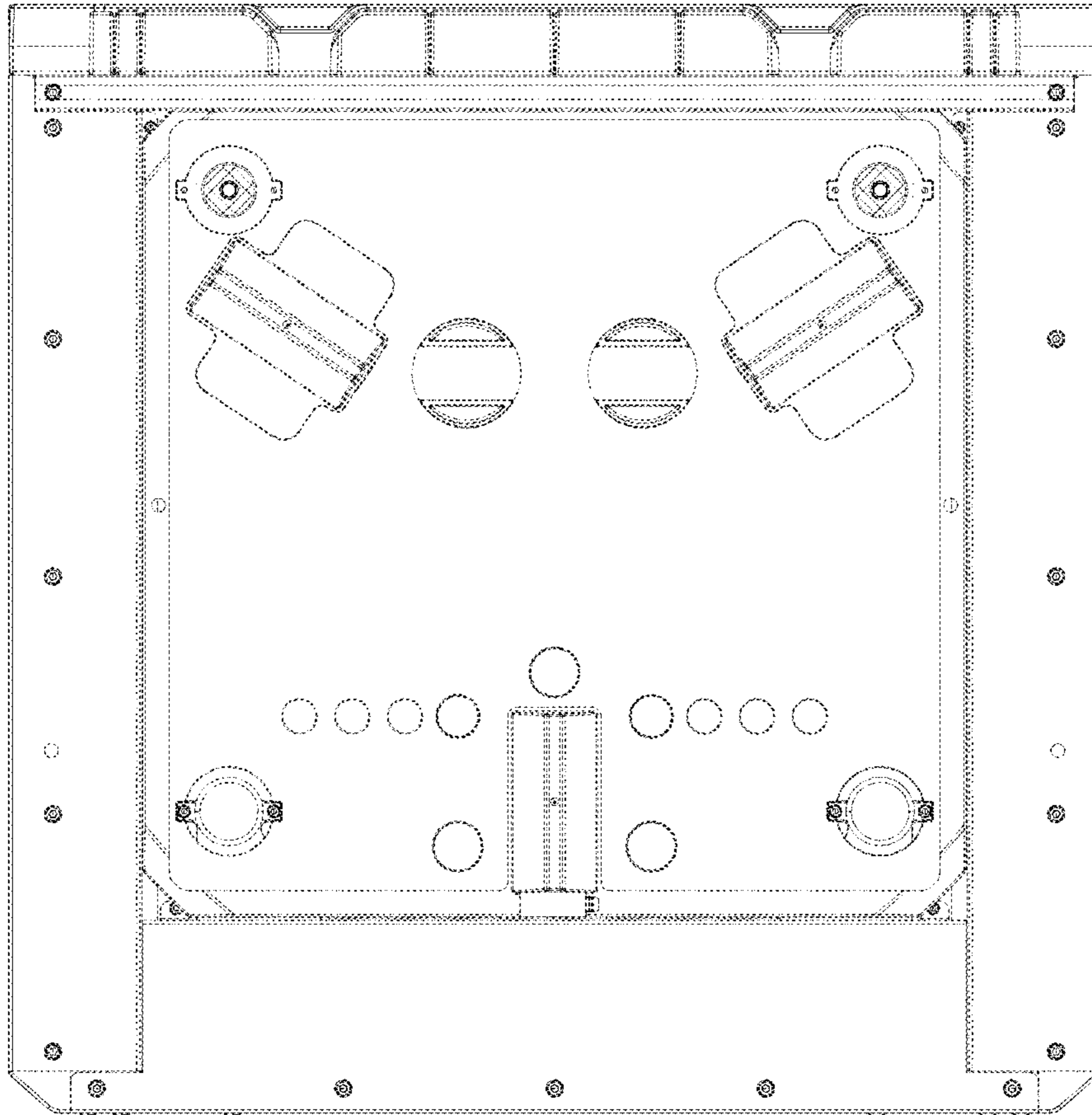


FIG. 7