



US00D969483S

(12) **United States Design Patent** (10) **Patent No.:** **US D969,483 S**
Bandas (45) **Date of Patent:** **** Nov. 15, 2022**

(54) **CARRYING CASE**

(71) Applicant: **Edmund Frederick Bandas**, Flint, TX (US)
 (72) Inventor: **Edmund Frederick Bandas**, Flint, TX (US)

(**) Term: **15 Years**

(21) Appl. No.: **29/652,582**

(22) Filed: **Sep. 24, 2020**

(51) **LOC (13) Cl.** **03-01**

(52) **U.S. Cl.**
USPC **D3/231; D3/204**

(58) **Field of Classification Search**
 USPC D3/226, 273, 276, 285, 286, 289, 301, D3/217, 290, 231, 204
 CPC A45C 2013/026; A45C 11/00; A45F 3/04
 See application file for complete search history.

(56) **References Cited**

U.S. PATENT DOCUMENTS

D254,698 S *	4/1980	Tawil	D3/231
D272,428 S *	1/1984	Kelley	224/42.11
D344,184 S *	2/1994	Barker	224/42.11
D344,409 S *	2/1994	Meredith	D3/276
D438,000 S *	2/2001	Couchon	D3/201
D463,116 S *	9/2002	Smith	D3/226
D739,985 S *	9/2015	Mantelli	D30/153
D893,183 S *	8/2020	Eisenhardt	D3/283
D930,982 S *	9/2021	Woody	D3/299
D932,184 S *	10/2021	Yang	D3/262

OTHER PUBLICATIONS

Gear Report, "BisonJam Outfitters Saddlebag Review" Published Jul. 9, 2020. (<https://gear-report.com/bisonjam-outfitters-saddlebag-review/>) (Year: 2020).*

* cited by examiner

Primary Examiner — April Rivas

(74) *Attorney, Agent, or Firm* — Schultz & Associates, P.C.

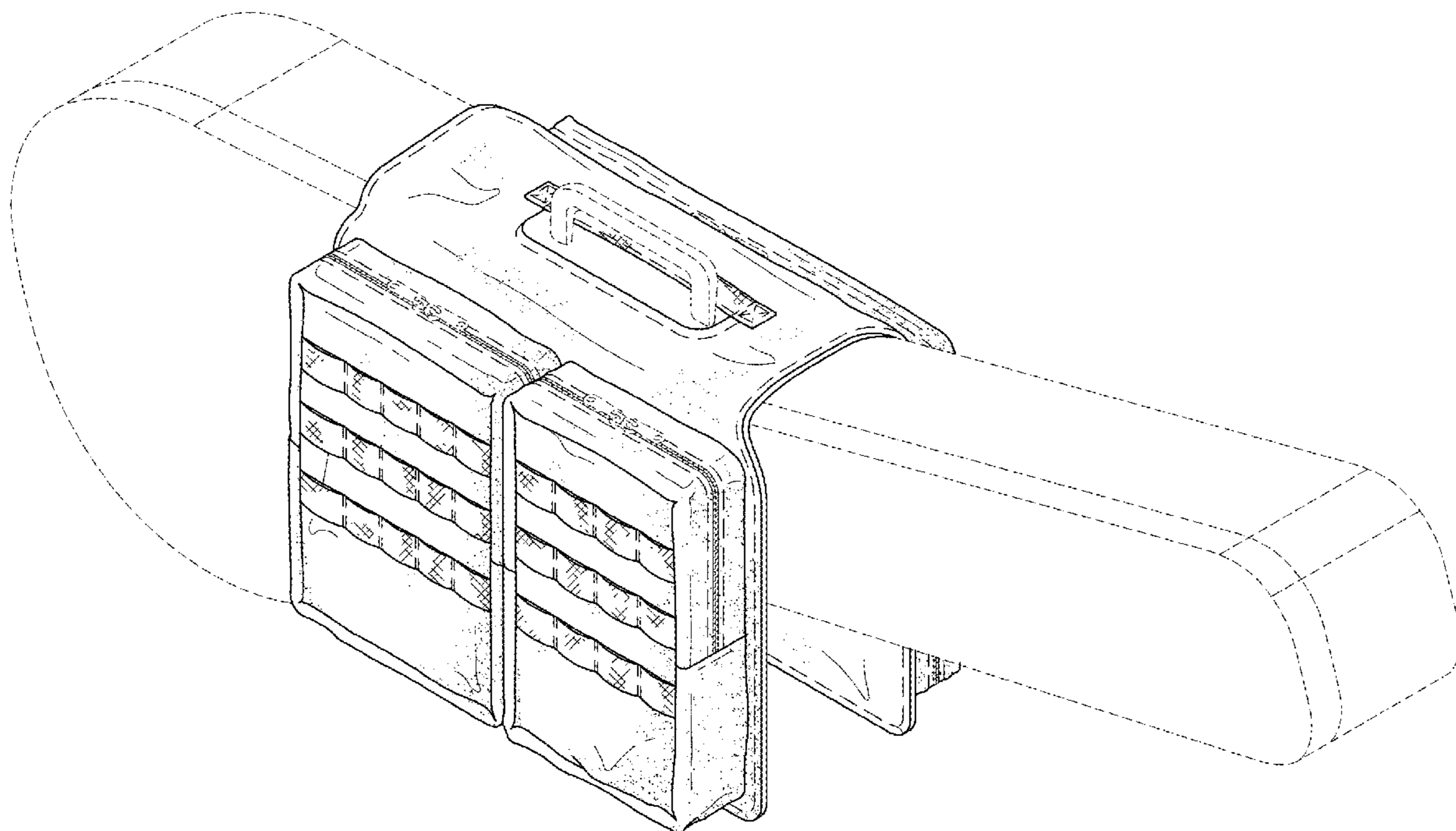
(57) **CLAIM**

The ornamental design for a carrying case, as shown and described.

DESCRIPTION

FIG. 1 is a perspective view of a carrying case showing my new design;
 FIG. 2 is a front elevation view thereof;
 FIG. 3 is a rear elevation view thereof;
 FIG. 4 is right side elevation view thereof;
 FIG. 5 is a left side elevation view thereof;
 FIG. 6 is a top plan view thereof;
 FIG. 7 is a bottom plan view thereof; and,
 FIG. 8 is a second perspective view of the carrying case showing my new design with additional environment.
 The broken lines shown represent environment and form no part of the claimed design.

1 Claim, 6 Drawing Sheets



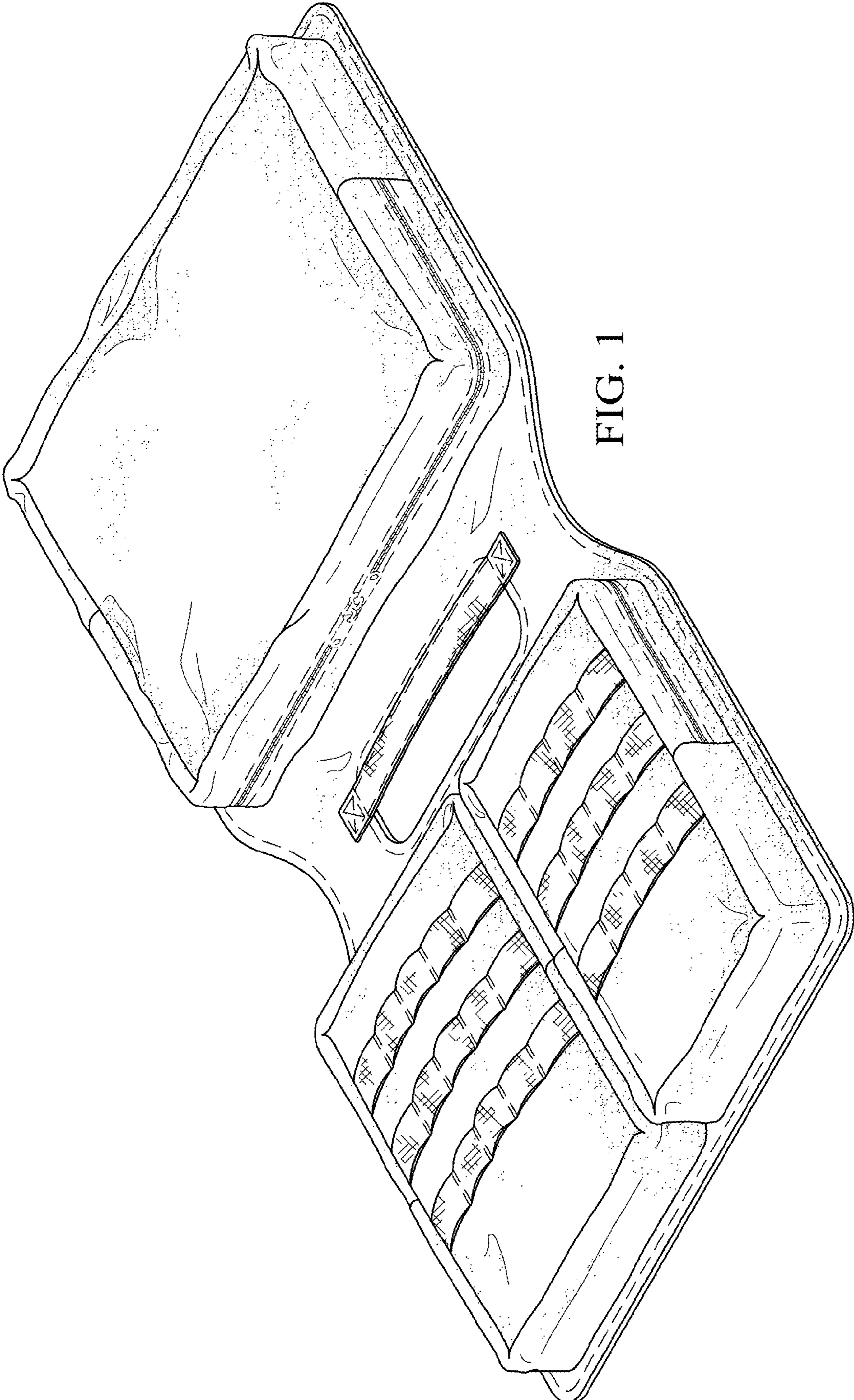


FIG. 1

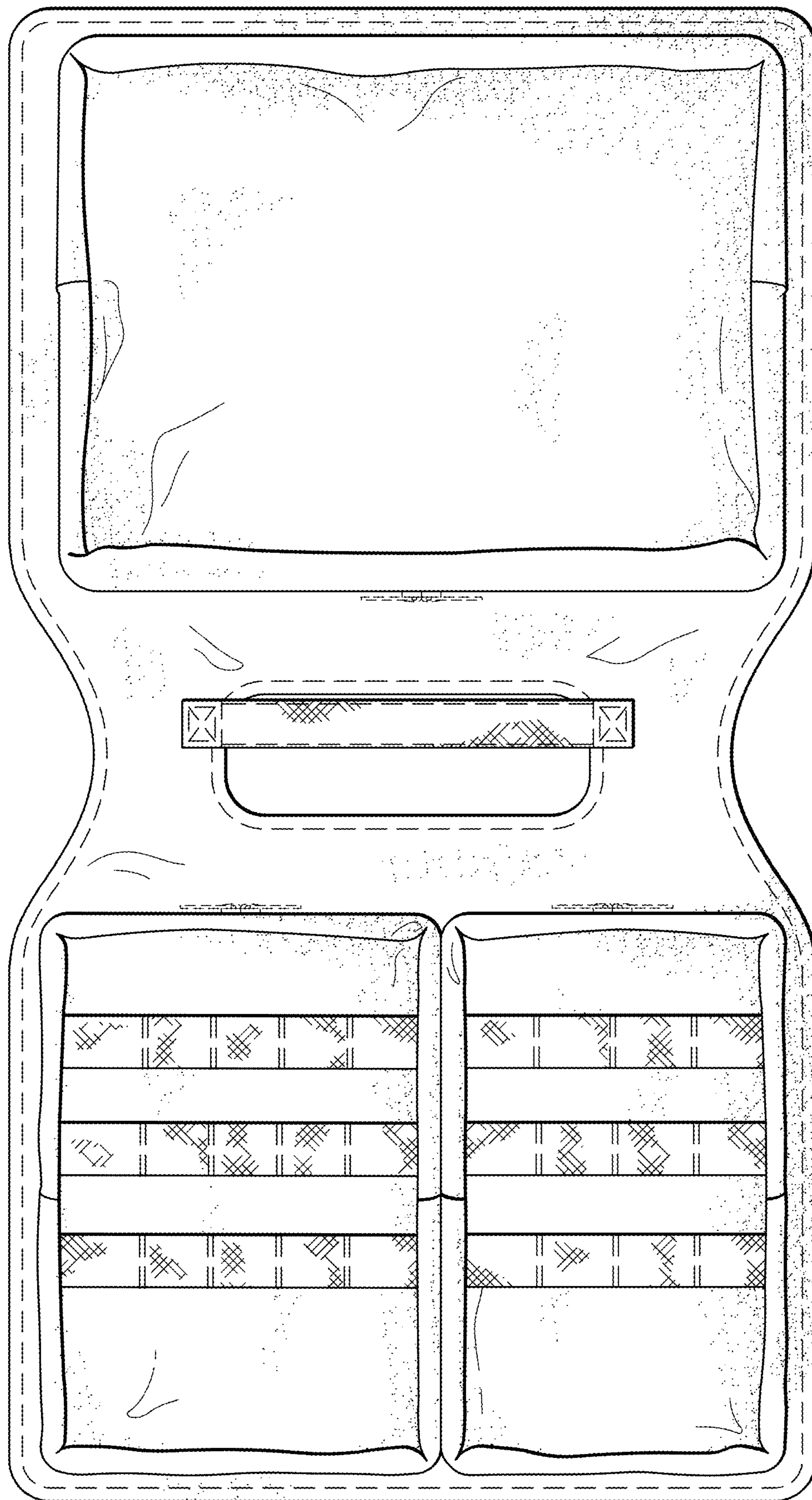


FIG. 2

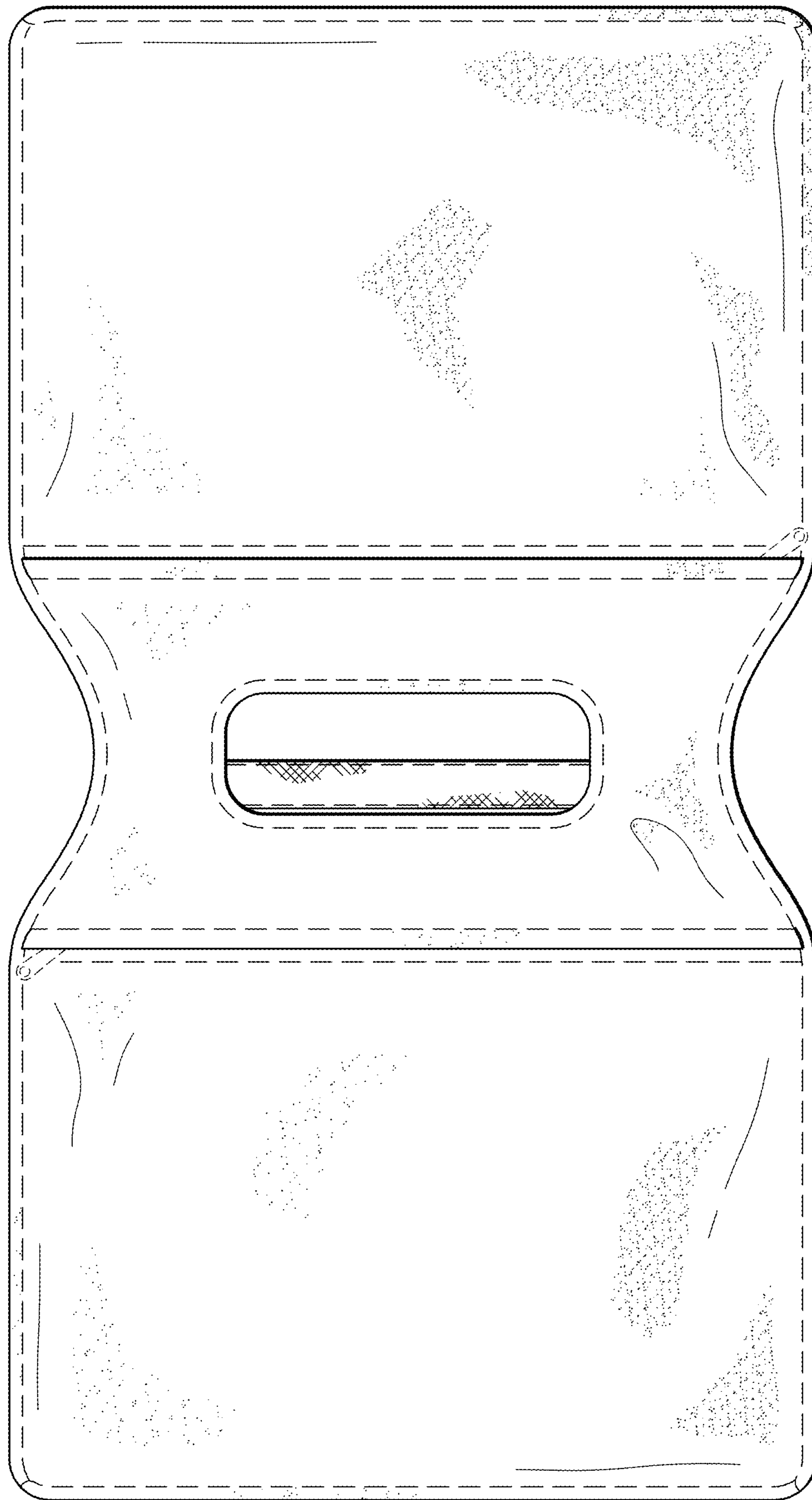


FIG. 3

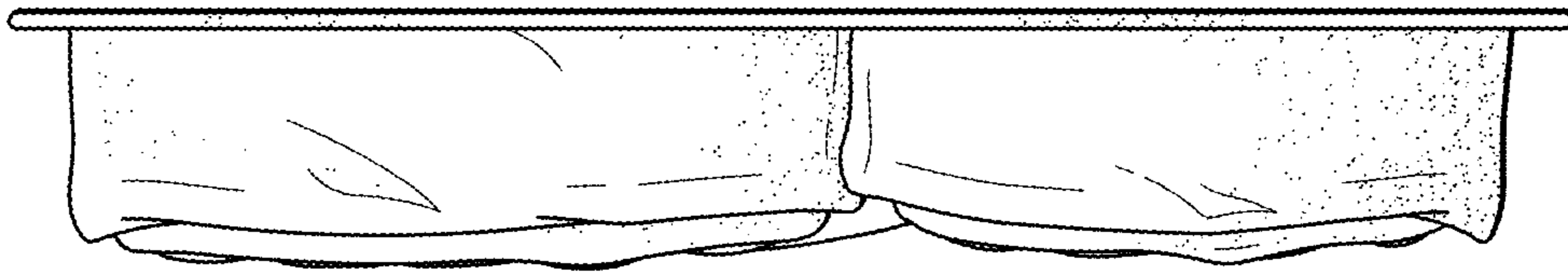


FIG. 5

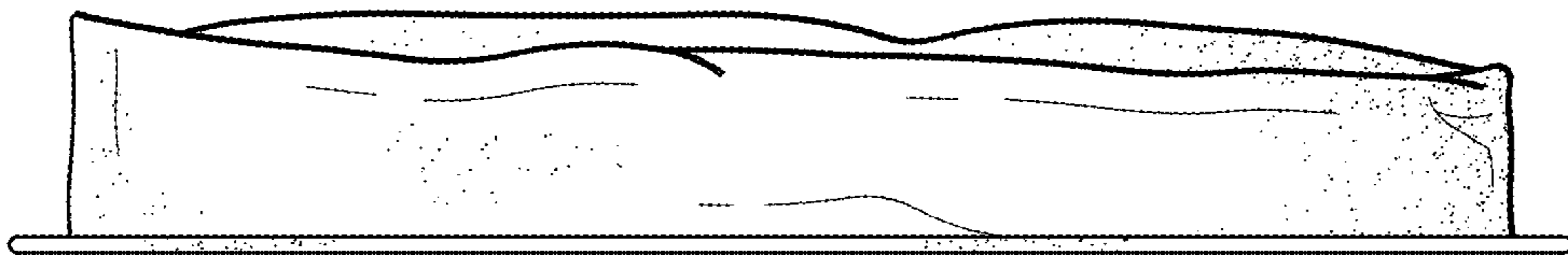


FIG. 4

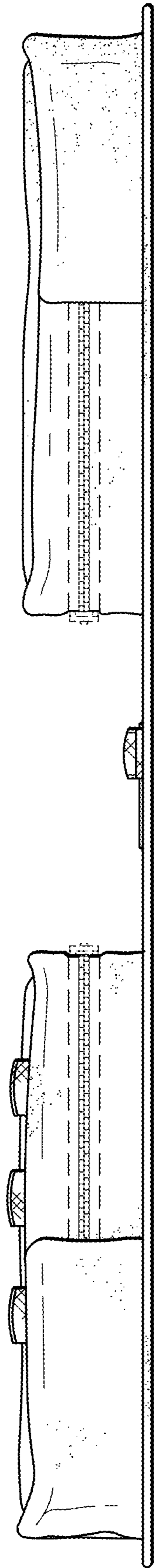


FIG. 6

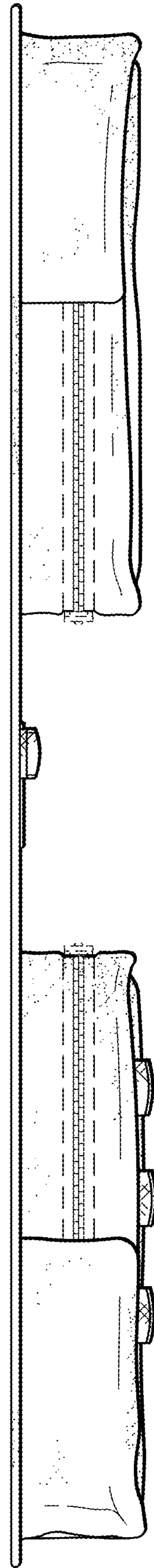


FIG. 7

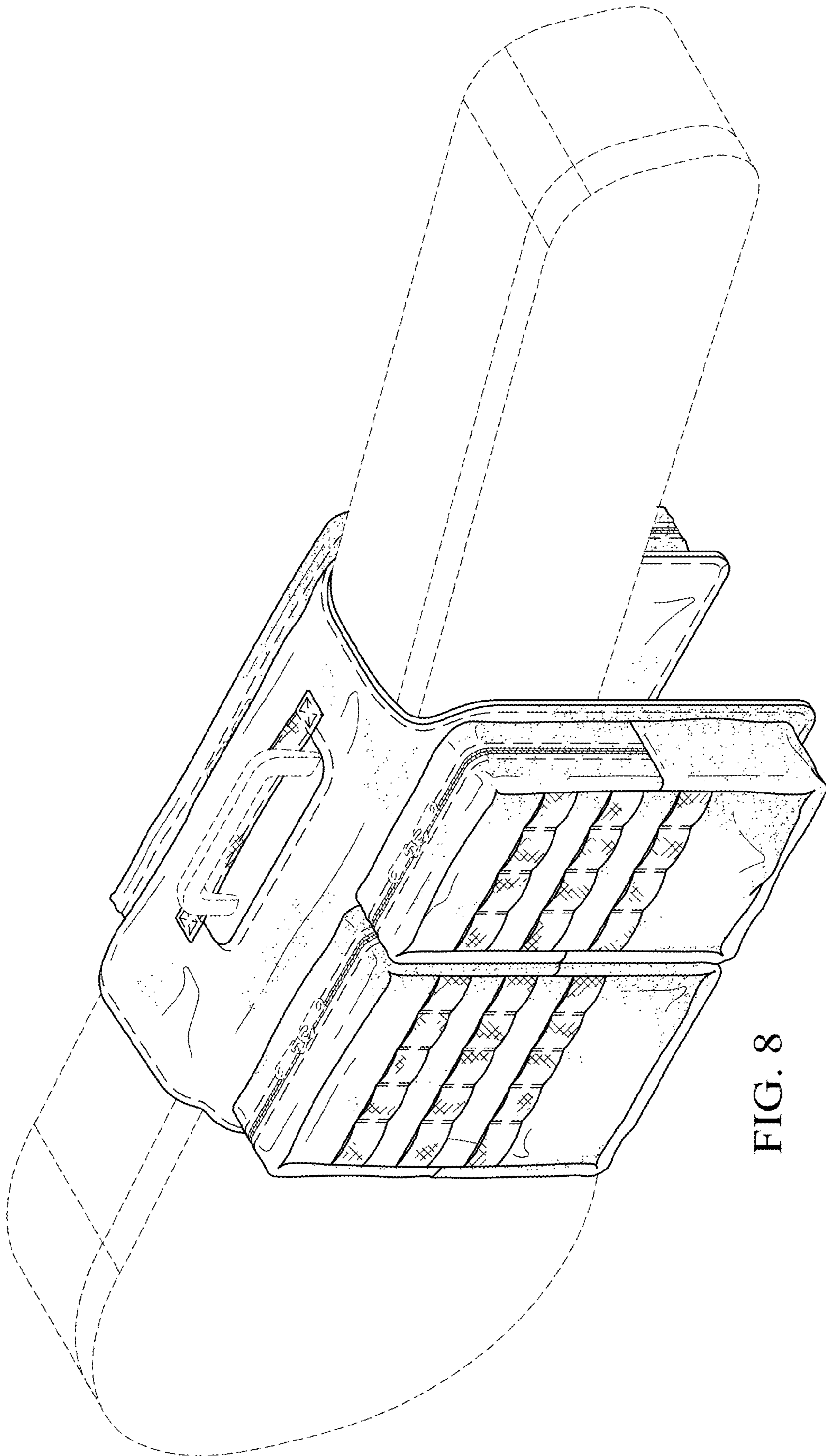


FIG. 8