

US00D969482S

(12) **United States Design Patent**  
**Overton**

(10) **Patent No.:** **US D969,482 S**

(45) **Date of Patent:** **\*\* Nov. 15, 2022**

(54) **EXPANDABLE POUCHES COMBINED WITH A BELT**

(74) *Attorney, Agent, or Firm* — K&L Gates LLP

(71) Applicant: **OVERTON ENTERPRISES, LLC**,  
Austin, TX (US)

(57) **CLAIM**

The ornamental design for expandable pouches combined with a belt, as shown and described.

(72) Inventor: **Kimberley Overton**, Austin, TX (US)

(73) Assignee: **OVERTON ENTERPRISES, LLC**,  
Austin, TX (US)

**DESCRIPTION**

(\*\*) Term: **15 Years**

FIG. 1 is a front perspective view of a belt with dual expandable pouches.

(21) Appl. No.: **29/713,498**

FIG. 2 is a front view of dual, empty pouches according to the present invention.

(22) Filed: **Nov. 15, 2019**

FIG. 3 is a rear view of dual, empty pouches according to the present invention.

(51) **LOC (13) Cl.** ..... **03-01**

FIG. 4 is a first side view of dual, empty pouches according to the present invention;

(52) **U.S. Cl.**

USPC ..... **D3/226**

FIG. 5 is a second side view of dual, empty pouches according to the present invention;

(58) **Field of Classification Search**

USPC ..... D3/215, 221, 224, 226

CPC .... A45F 5/00; A45F 5/02; A45F 5/021; A45F

2200/0575; A45F 2003/144; A45F

2005/026; A45F 3/14; A45F 15/06; Y10S

224/93; A45C 11/00

See application file for complete search history.

FIG. 6 is a top view of dual, empty pouches according to the present invention;

FIG. 7 is a bottom view of dual, empty pouches according to the present invention;

FIG. 8 is a front perspective view of dual, expanded pouches according to the present invention; and,

FIG. 9 is a rear perspective view of dual, expanded pouches according to the present invention.

(56) **References Cited**

**U.S. PATENT DOCUMENTS**

D191,696 S \* 11/1961 Weil ..... D3/226

D446,359 S \* 8/2001 Arthur ..... D3/224

(Continued)

The broken lines in the drawings represent unclaimed portions of the design only and form no part of the claim. The portions including surface shading represent contour and not surface ornamentation. The broken lines showing the buckles, slides, and the stitch tacks and snap hooks at either end of the zipper fastener are for illustrative purposes only and form no part of the claimed design.

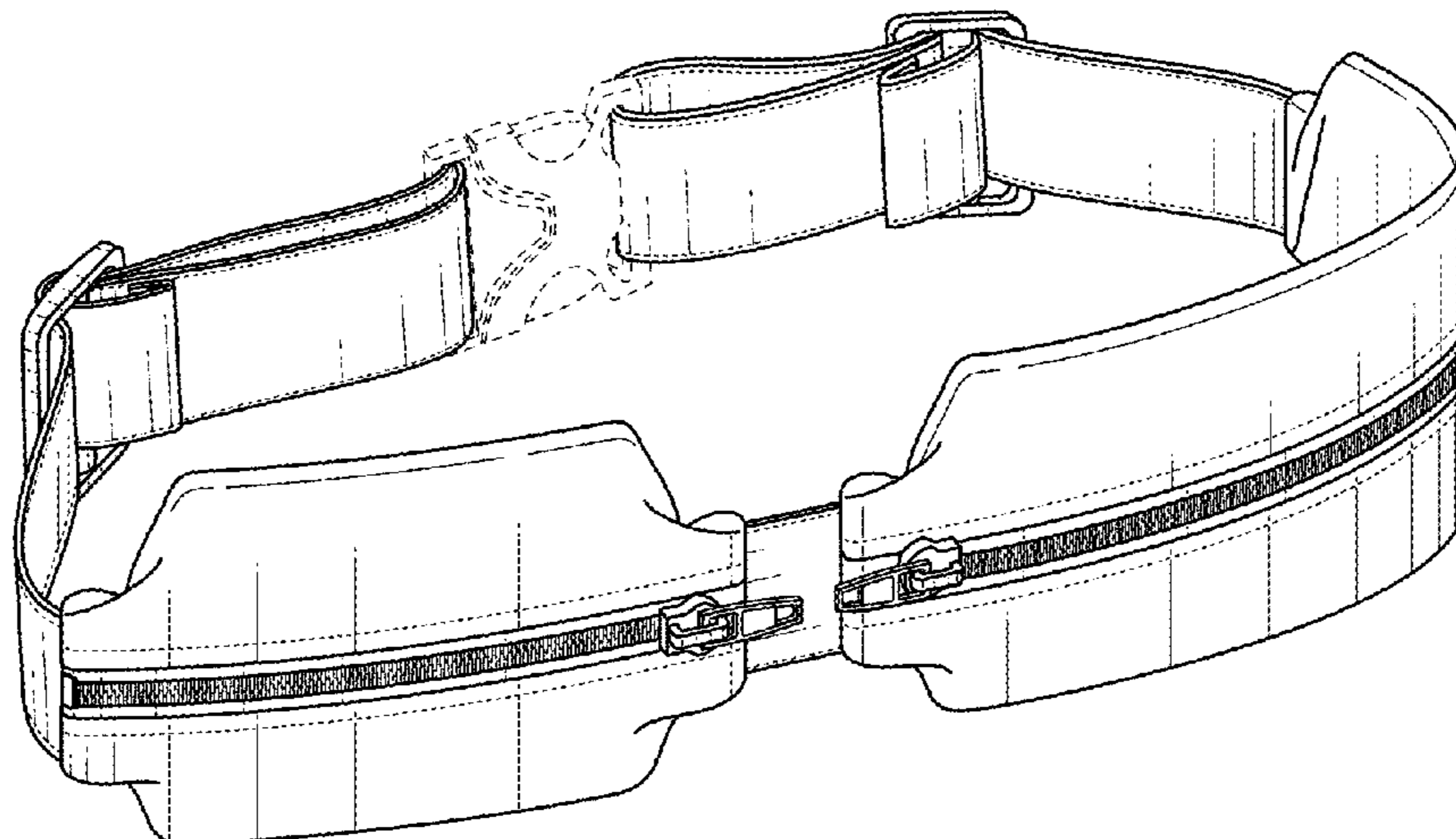
The article in which the present design is embodied is a belt with two compact yet expandable pouches, each formed from a single piece of elastic fabric and having pleats in the rear. When empty, each pouch is preferably approximately the same width and thickness as the belt holding the pouches in place, and yet each pouch's width and thickness (and thus its internal volume) can expand up to 300-400% or more to hold larger items or a large number of small items.

**OTHER PUBLICATIONS**

[\(Continued\)](https://www.amazon.com/Sport2People-Pouch-Belt-USA-Patented/dp/B019BQNTL0/ref=sr_1_4_sspa?keywords=running+belt+pouch&qid=1638997812&sr=8-4-spons&psc=1&spLa=ZW5jcnlwdGVkUXVhbGlmaWVyPUFUFUVVdBOVo3NzFINDcmZW5jcnlwdGVkS WQ9QTAYNzk0NzAyM05aMU (Year: 2015).*</a></p></div>
<div data-bbox=)

*Primary Examiner* — Catherine R Oliver-Garcia

**1 Claim, 4 Drawing Sheets**



(56)

**References Cited**

U.S. PATENT DOCUMENTS

D613,500	S	*	4/2010	Overton	.....	A45F 3/14	
							D3/226
D630,841	S	*	1/2011	Pomerantz	.....	D3/221	
D769,614	S	*	10/2016	Nejjar	.....	D3/226	
D779,817	S	*	2/2017	Bartlett	.....	D3/226	
D789,683	S	*	6/2017	Bartlett	.....	D3/226	
D809,288	S	*	2/2018	Preseren	.....	D3/226	
D838,101	S	*	1/2019	Chiquito	.....	D3/221	
D839,591	S	*	2/2019	Yamanaka	.....	D3/226	
D855,312	S	*	8/2019	Rostoker	.....	D3/224	
D862,876	S	*	10/2019	Li	.....	D3/226	
D865,356	S	*	11/2019	Chen	.....	D3/226	

OTHER PUBLICATIONS

NMU00wSUtHJmVuY3J5cHRIZEFkSWQ9QTEwMzA0ODAxNk  
pWTEdETIVKMIVQJndpZGldEdETIVKMIVQJndpZGldE5hb  
WU9c3BfYXRmJmFjdGlvbj1jbGlja1JIZGIyZWNoJmRvTm90TG  
9nQ2xpY2s9dHJ1ZQ==# customerReviews.\*

\* cited by examiner

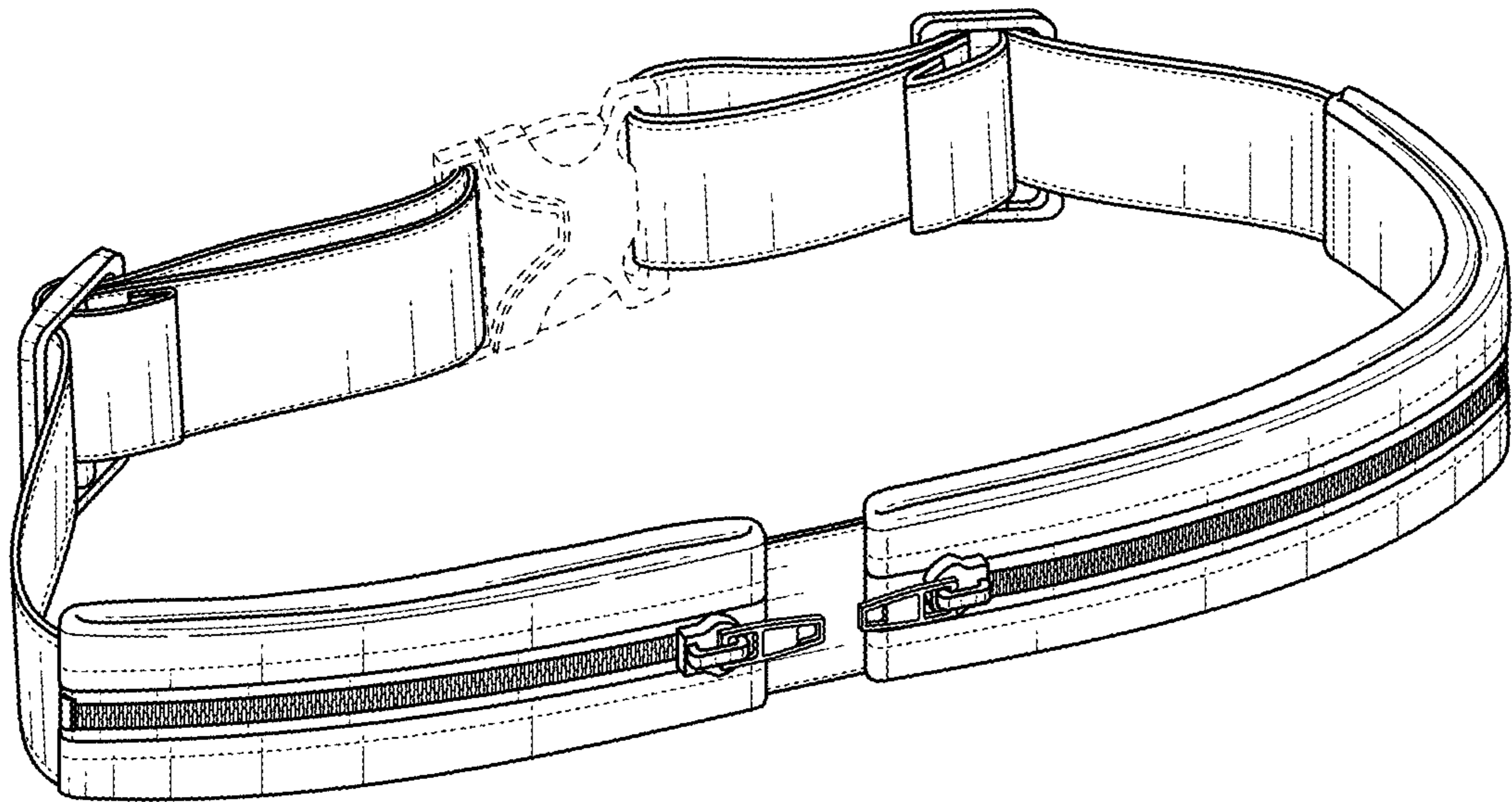


FIG. 1

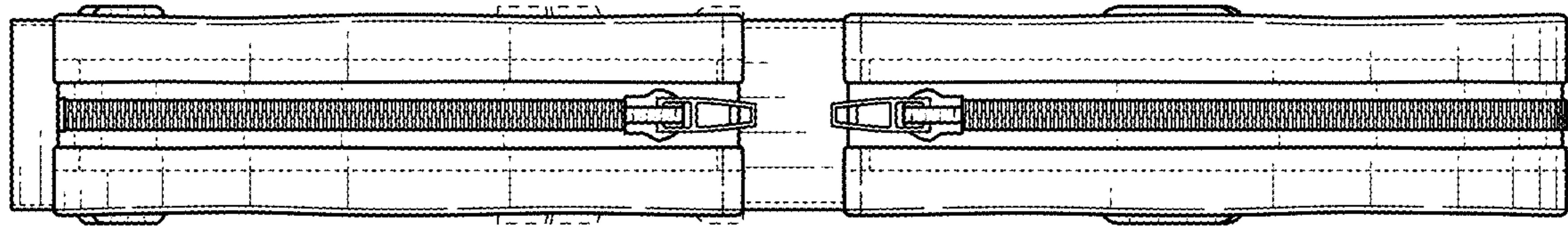


FIG. 2

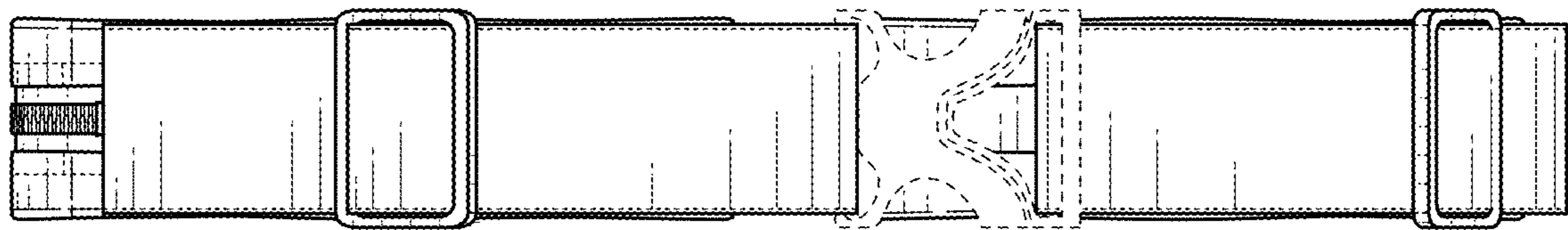


FIG. 3

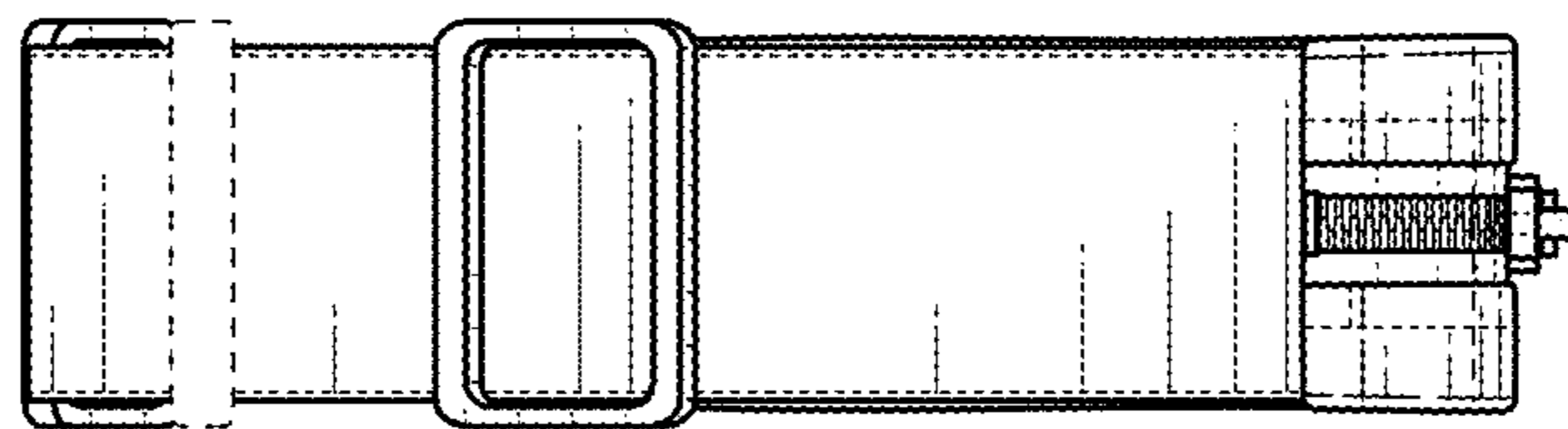


FIG. 4

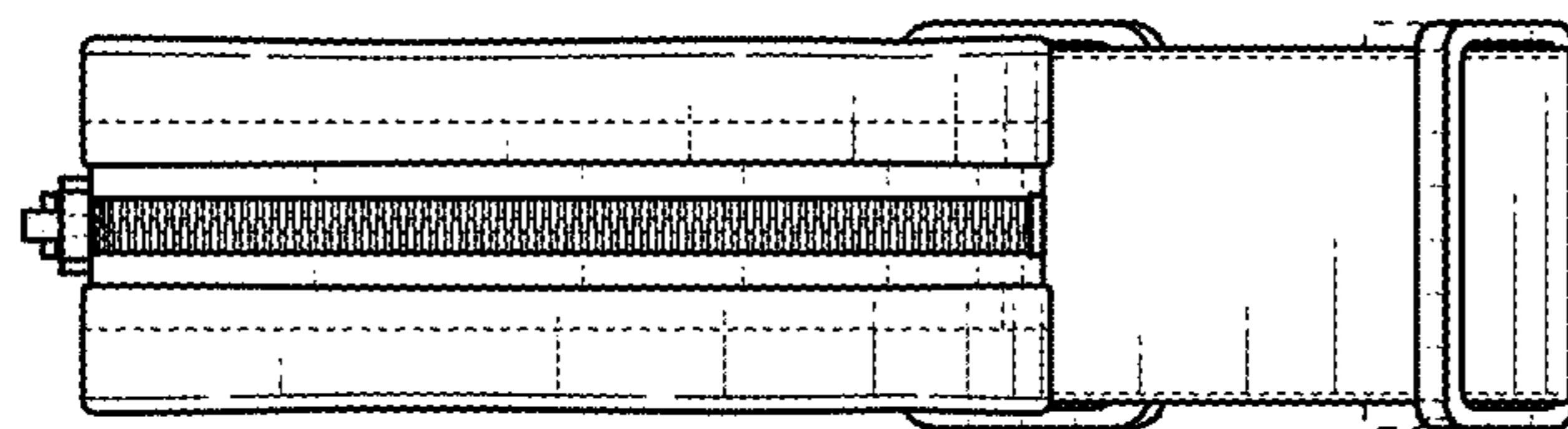


FIG. 5

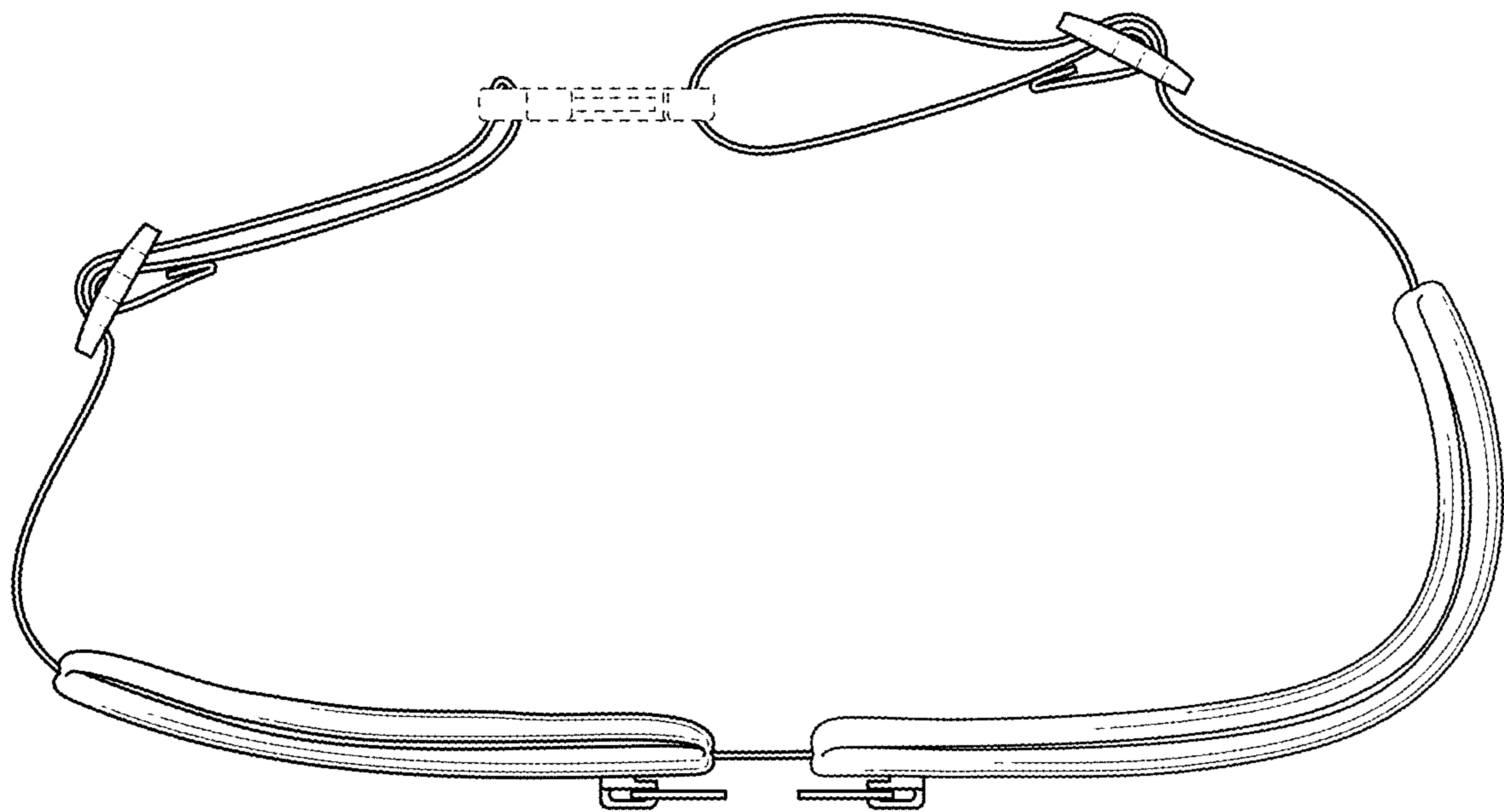


FIG. 6

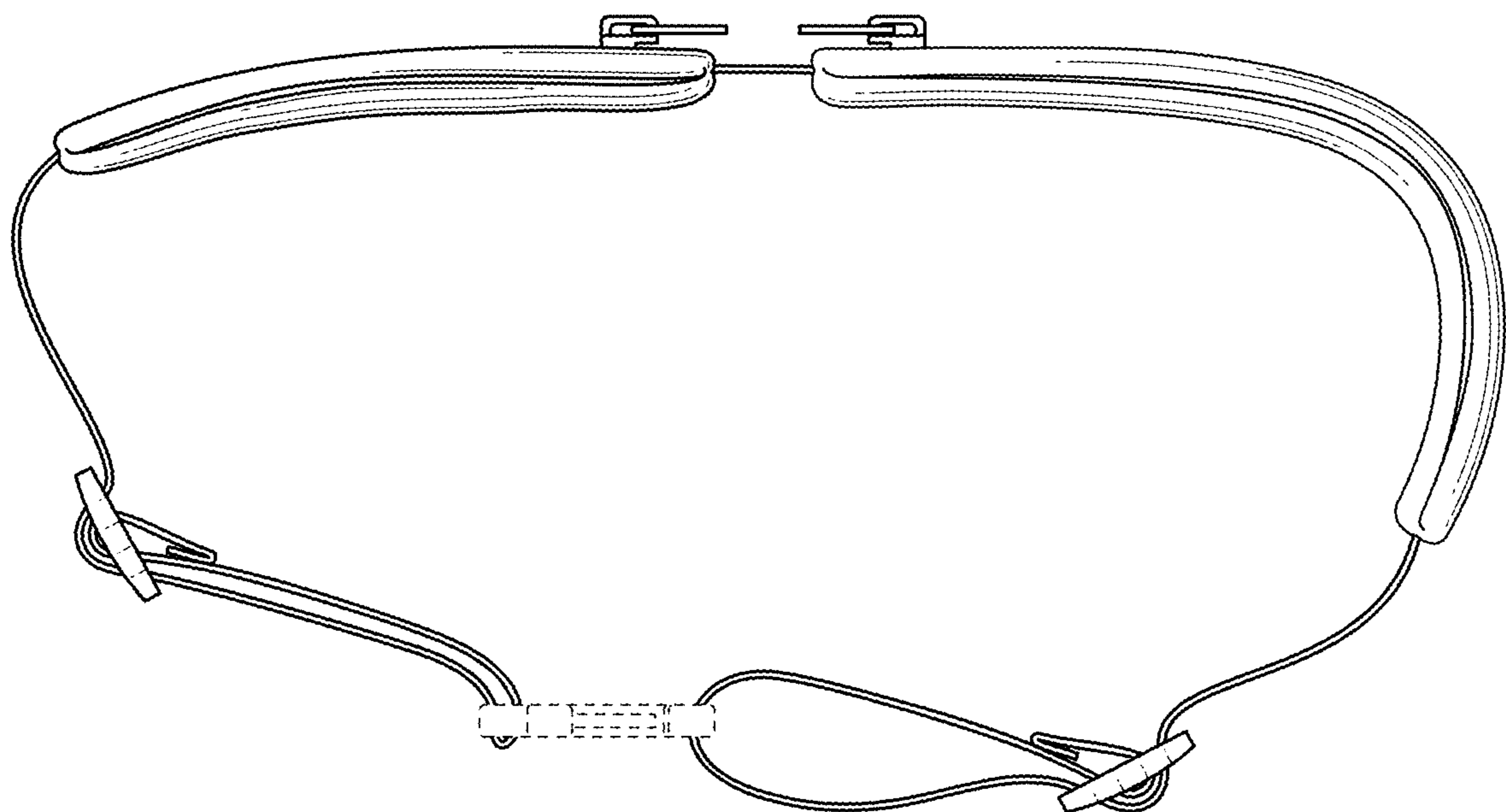


FIG. 7

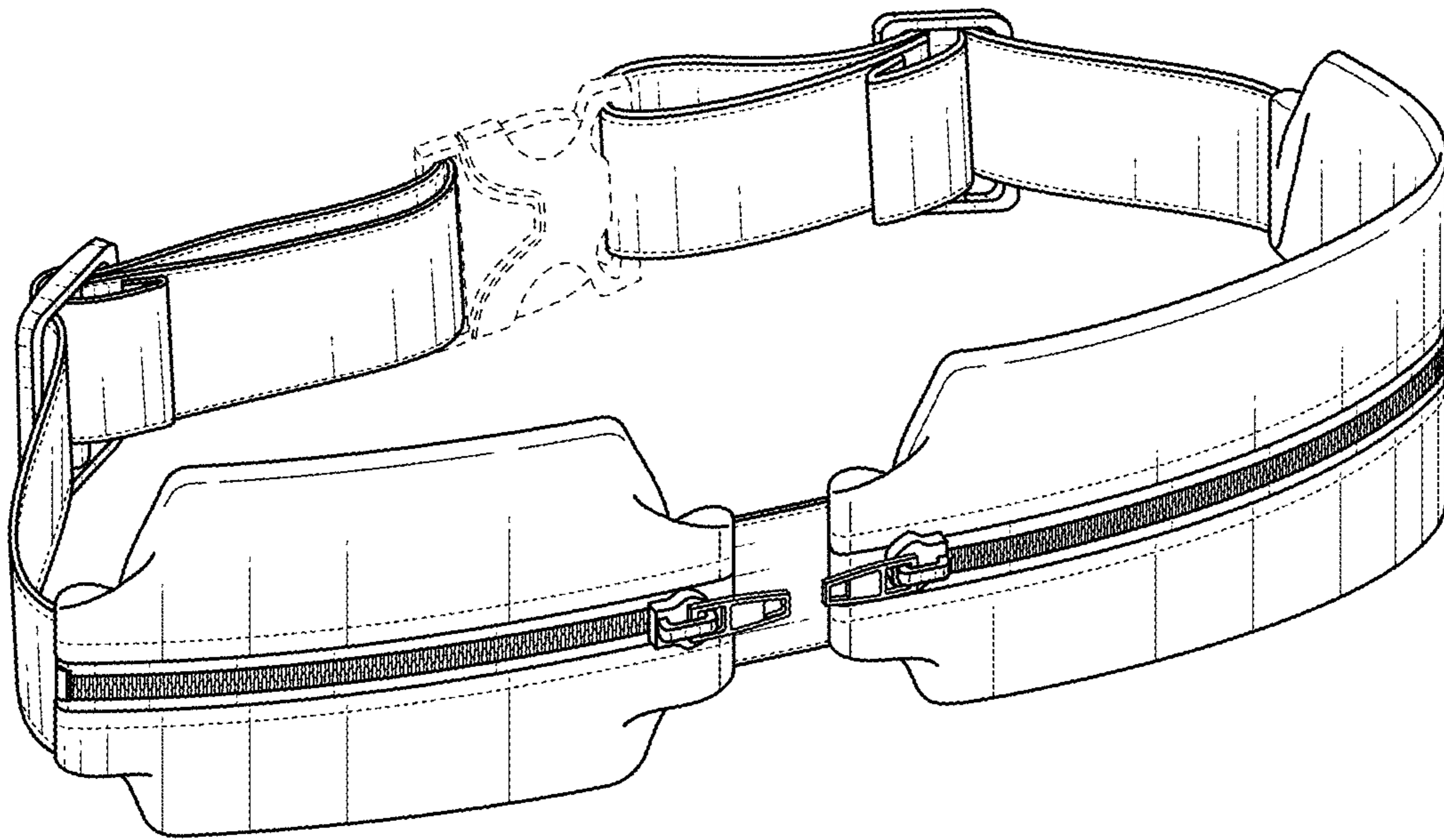


FIG. 8

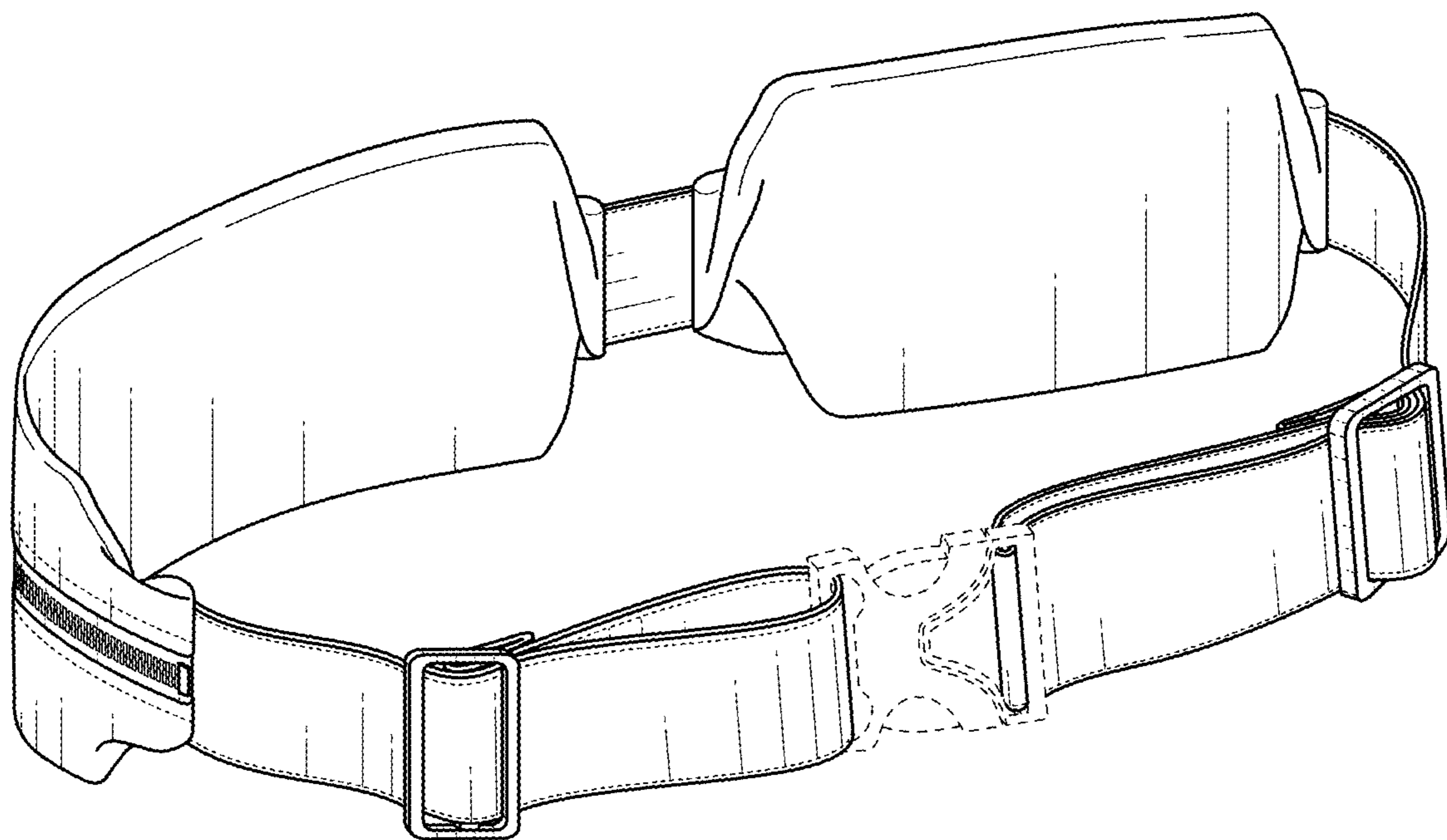


FIG. 9