

US00D969481S

(12) **United States Design Patent**
Zhang

(10) **Patent No.:** **US D969,481 S**

(45) **Date of Patent:** **** Nov. 15, 2022**

(54) **PROTECTIVE COVER FOR MAGAZINE**

(71) Applicant: **Cytac Technology Limited**, Shenzhen (CN)

(72) Inventor: **Yong Zhang**, Shenzhen (CN)

(**) Term: **15 Years**

(21) Appl. No.: **29/711,836**

(22) Filed: **Nov. 4, 2019**

(30) **Foreign Application Priority Data**

Jun. 11, 2019 (CN) 201930299186.9

(51) **LOC (13) Cl.** **03-01**

(52) **U.S. Cl.**
USPC **D3/222**

(58) **Field of Classification Search**
USPC D22/108; D3/222
CPC F41A 17/38; F41A 9/63; F41A 9/64; F41A 9/65; F41A 9/67; F41A 9/68; F41A 9/69; F41A 9/71
See application file for complete search history.

(56) **References Cited**

U.S. PATENT DOCUMENTS

- D574,147 S * 8/2008 Zusman D3/222
- D588,227 S * 3/2009 Swenson, III D22/108
- 7,497,043 B2 * 3/2009 Clifton, Jr. F41A 9/63
86/47
- D594,649 S * 6/2009 Zusman D3/222
- D601,339 S * 10/2009 Zusman D3/222
- D689,581 S * 9/2013 Fitzpatrick F41A 9/63
D22/108
- D749,843 S * 2/2016 Faifer D3/262

- 10,006,749 B2 * 6/2018 Rodriguez A45F 5/021
- 10,145,663 B2 * 12/2018 Badr F41C 33/04
- 10,598,457 B2 * 3/2020 Maga F41A 17/38
- 11,085,716 B2 * 8/2021 Zhang F41A 17/38
- 11,085,733 B2 * 8/2021 Zhang F41C 33/045
- D948,205 S * 4/2022 Lu D3/224
- 2012/0023803 A1 * 2/2012 Taylor F41A 9/81
42/90
- 2013/0248566 A1 * 9/2013 Solomon A45F 5/02
224/191

* cited by examiner

Primary Examiner — Michael A. Pratt

(74) *Attorney, Agent, or Firm* — Runit R. Kanakia

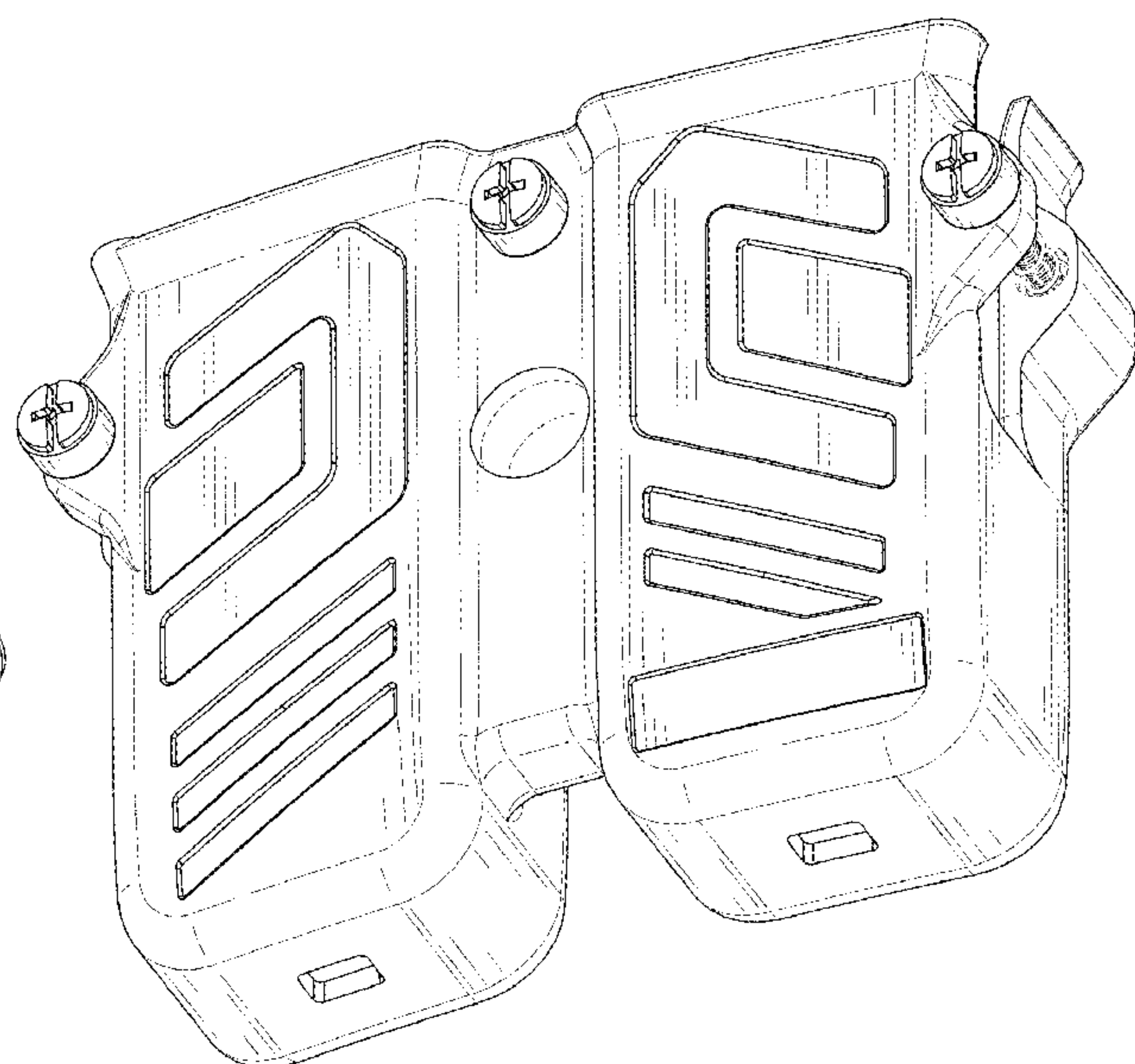
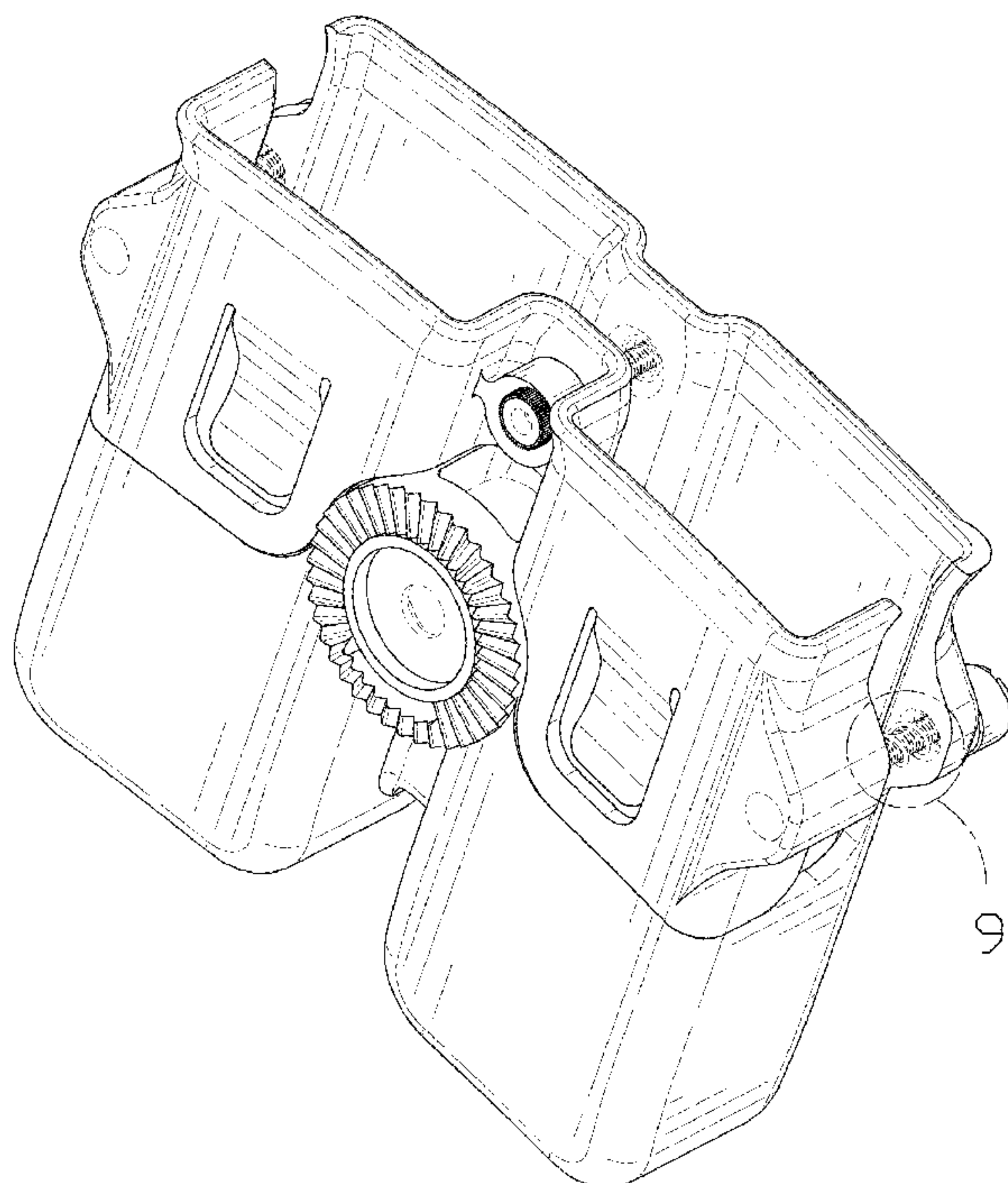
(57) **CLAIM**

The ornamental design for a protective cover for magazine, as shown and described.

DESCRIPTION

FIG. 1 is a back and top perspective view of a protective cover for magazine, showing my new design;
 FIG. 2 is a front and bottom perspective view thereof;
 FIG. 3 is a front elevational view thereof;
 FIG. 4 is a rear elevational view thereof;
 FIG. 5 is a left side elevational view thereof;
 FIG. 6 is a right side elevational view thereof;
 FIG. 7 is a top plan view thereof;
 FIG. 8 is a bottom plan view thereof; and,
 FIG. 9 is an enlarged view of a portion indicated in FIG. 1.
 The broken lines in the figures illustrate portions of the protective cover for magazine that form, no part of the claimed design.

1 Claim, 9 Drawing Sheets



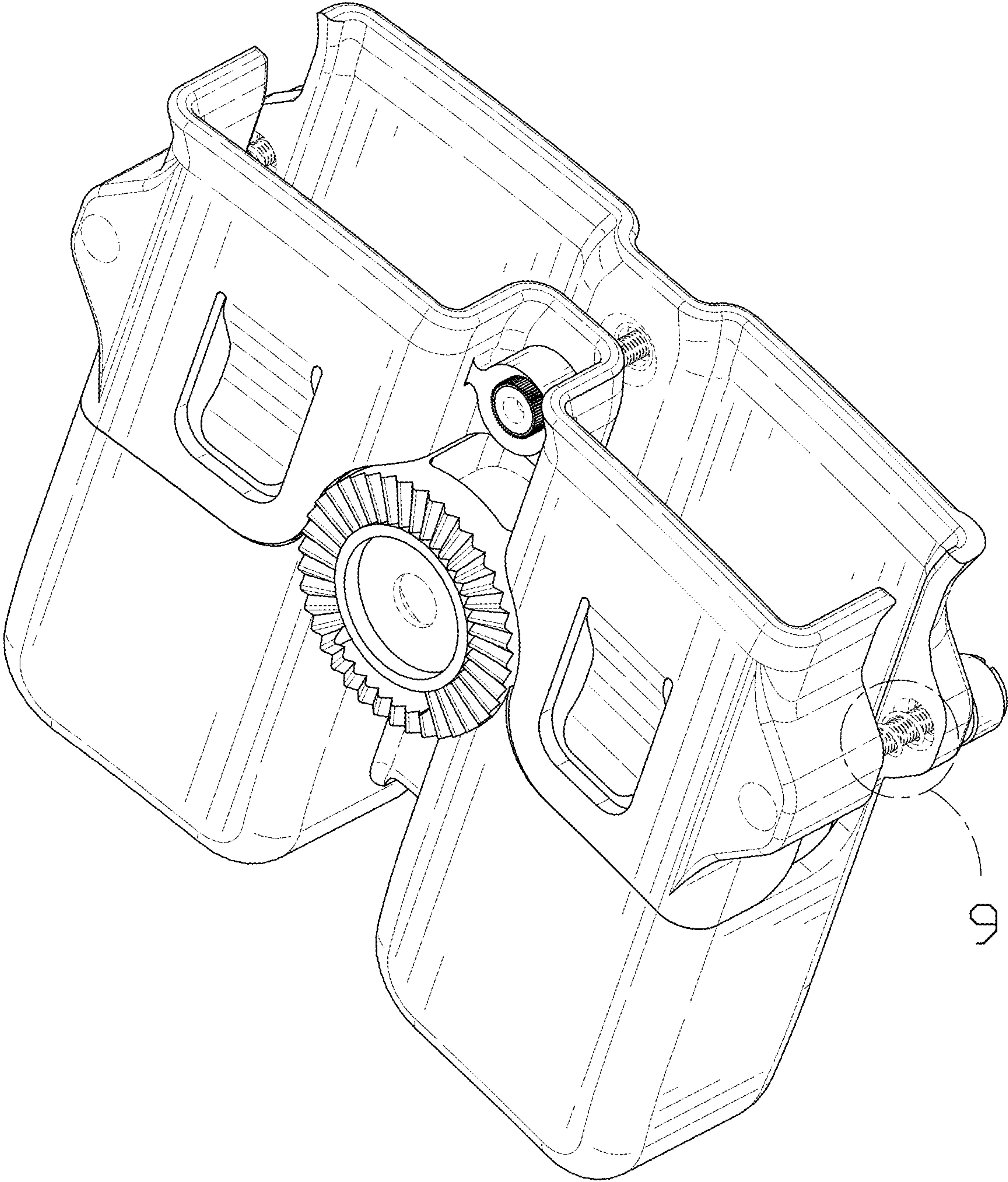


FIG. 1

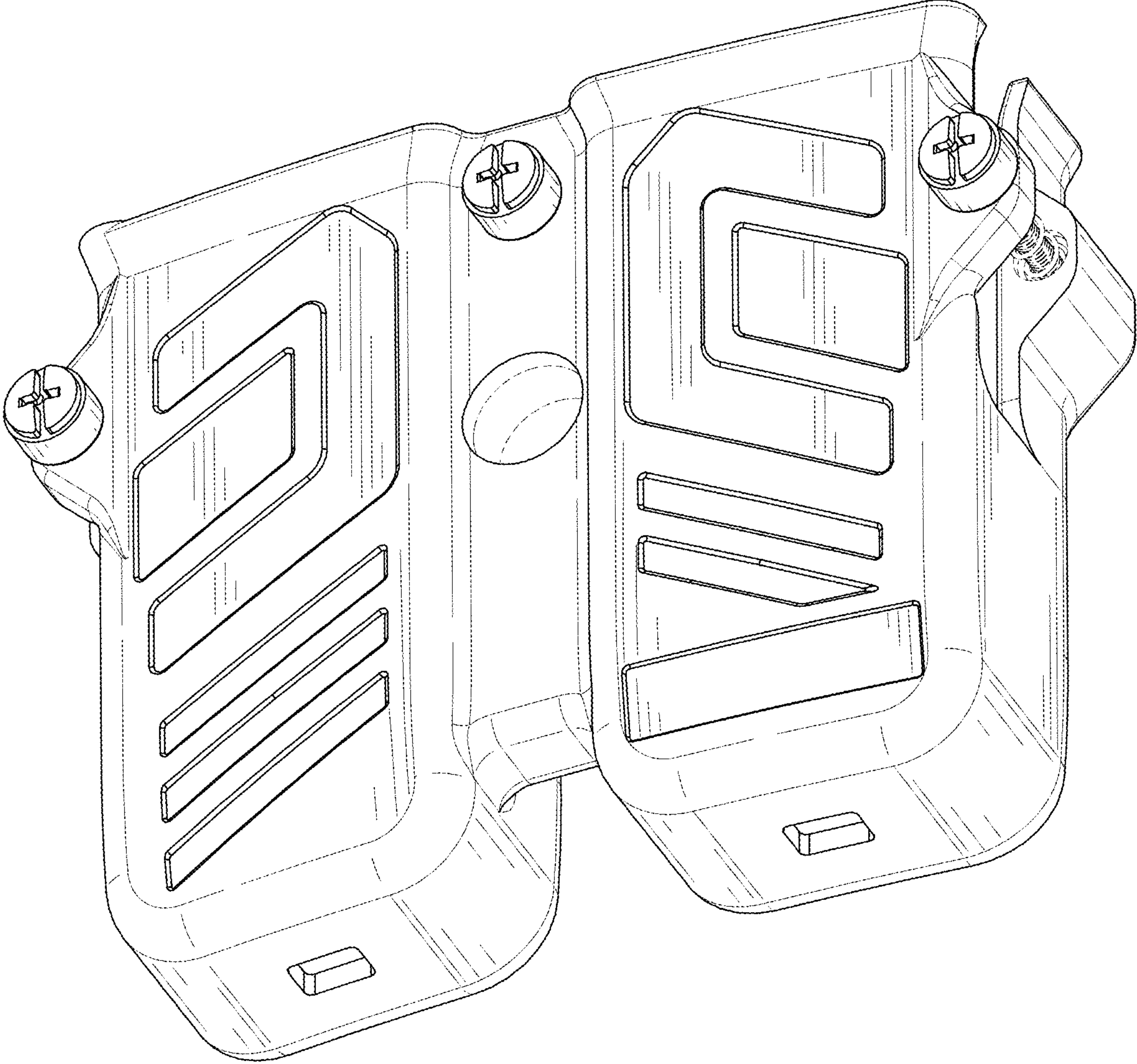


FIG. 2

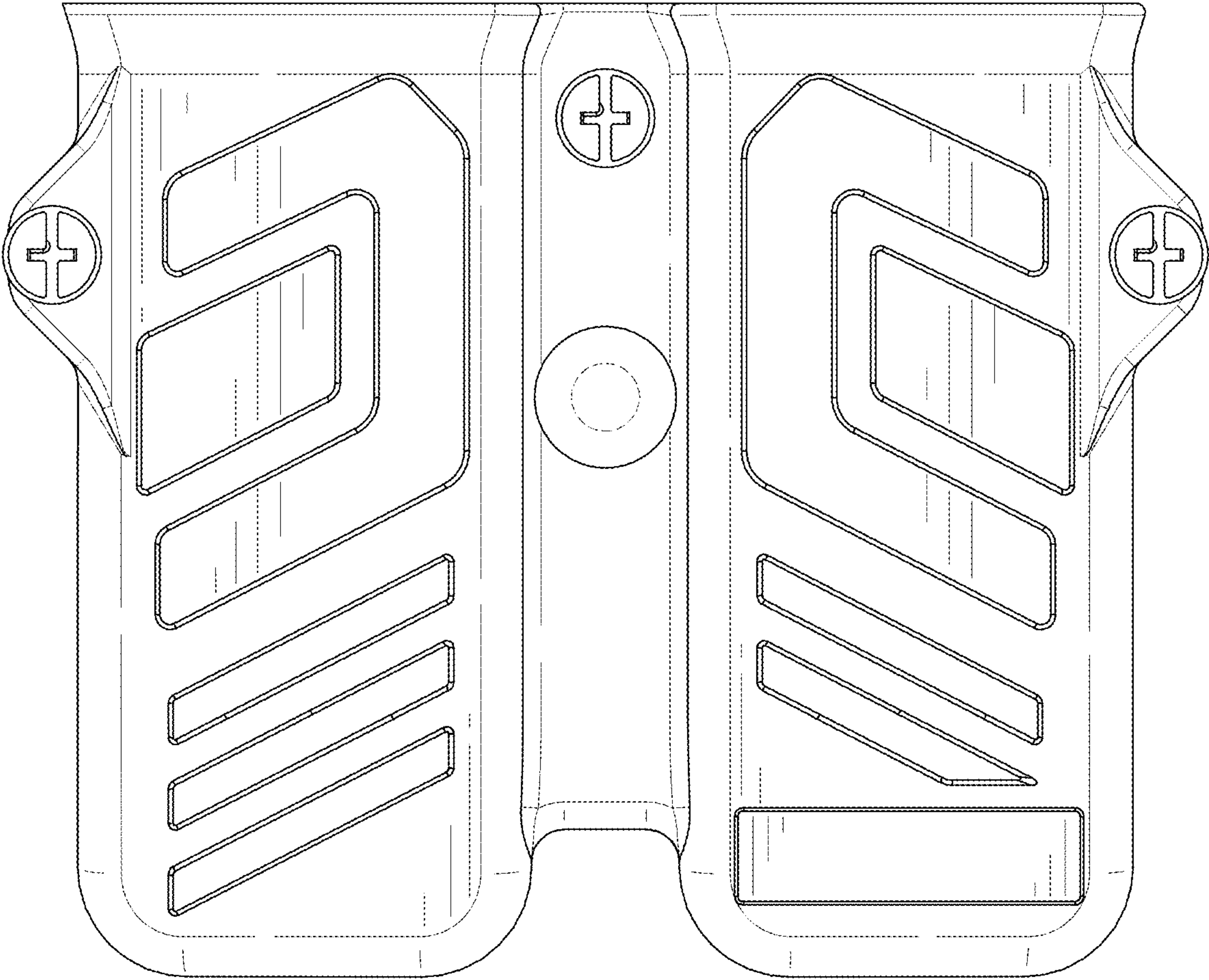


FIG. 3

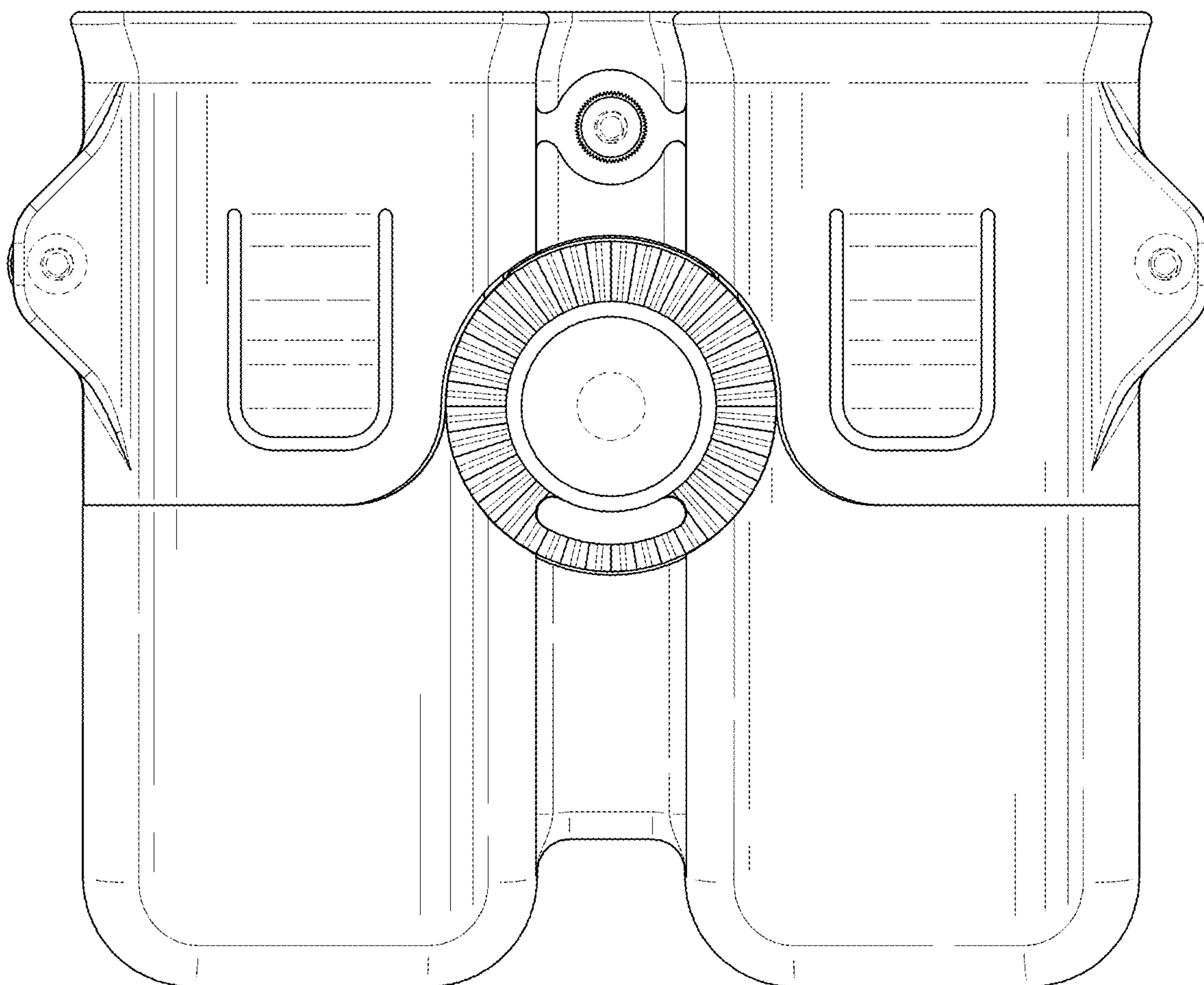


FIG. 4

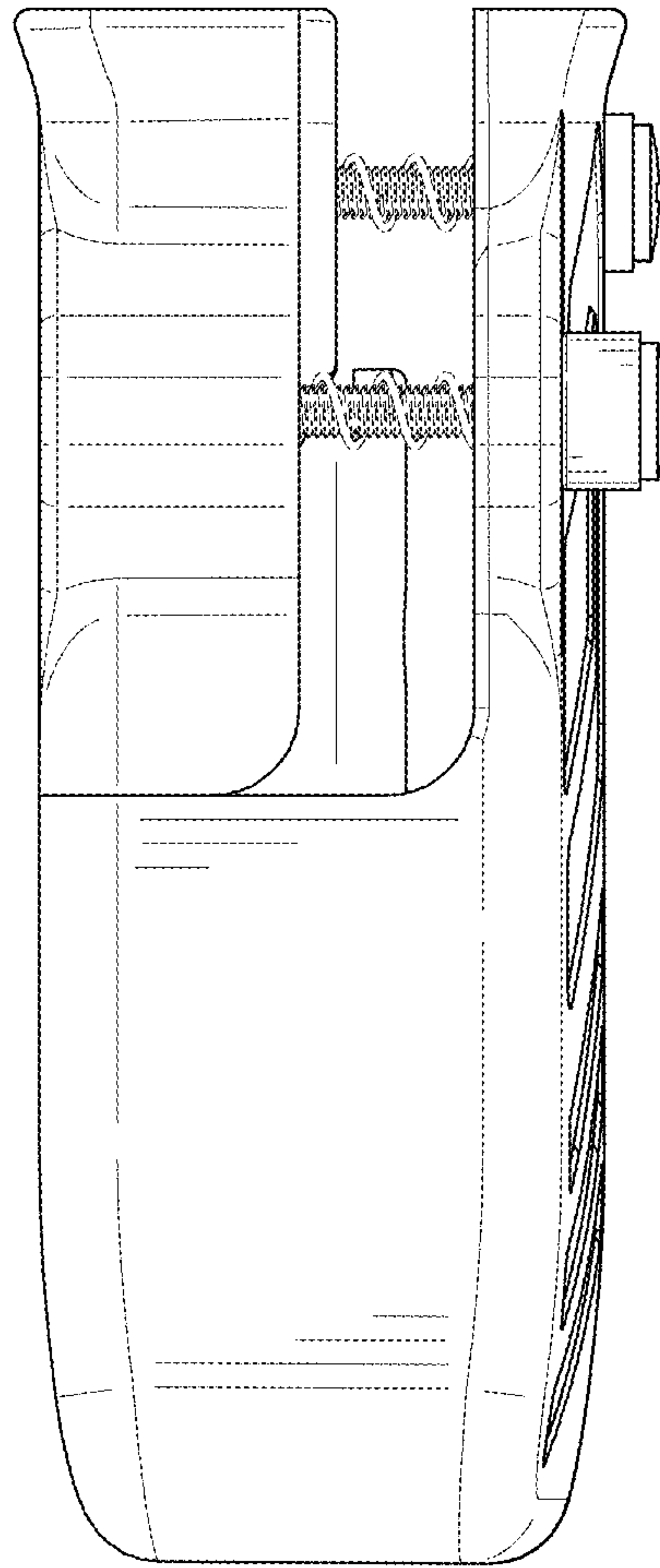


FIG. 5

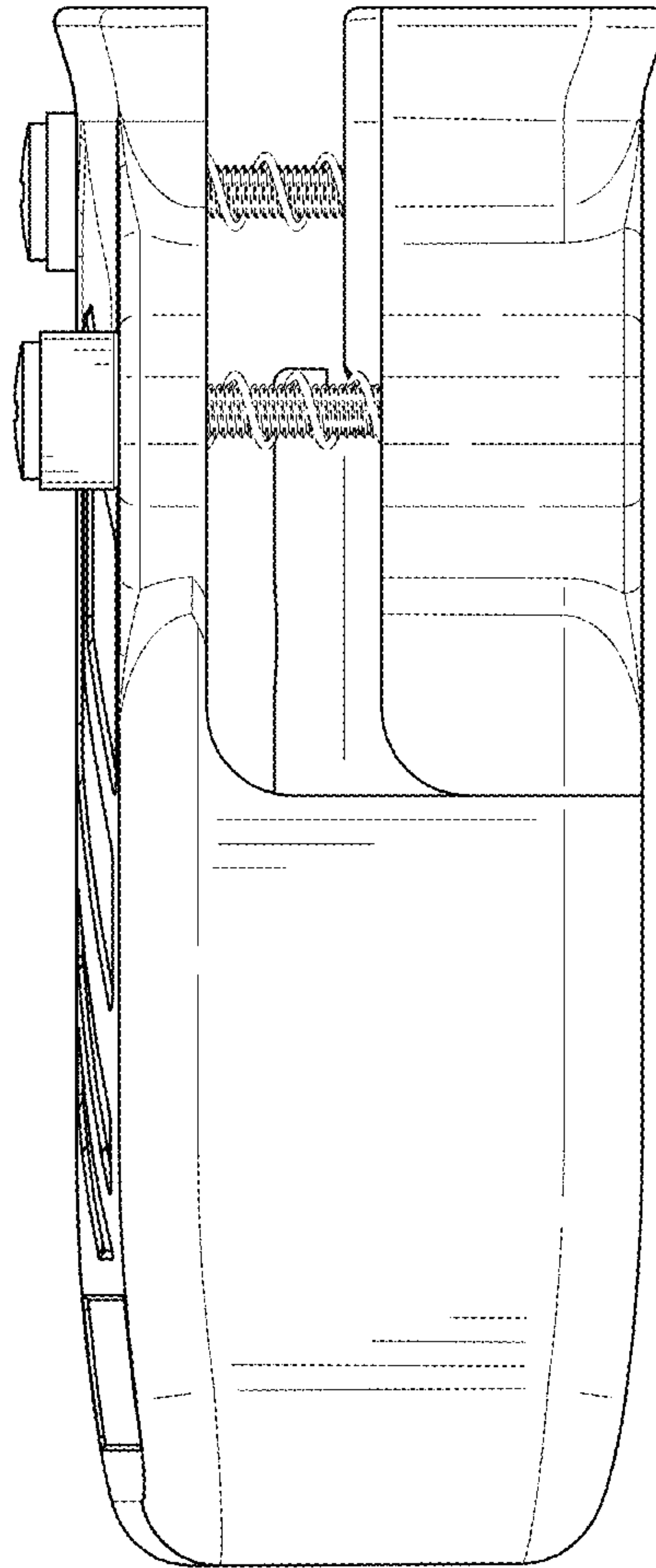


FIG. 6

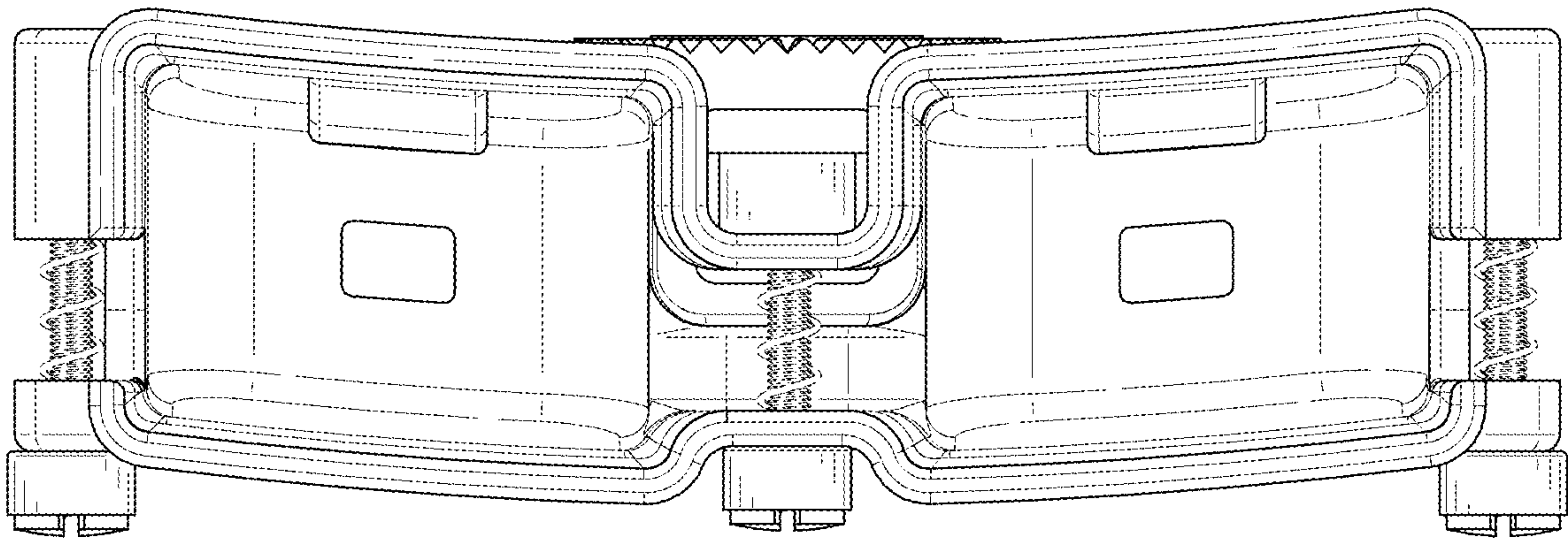


FIG. 7

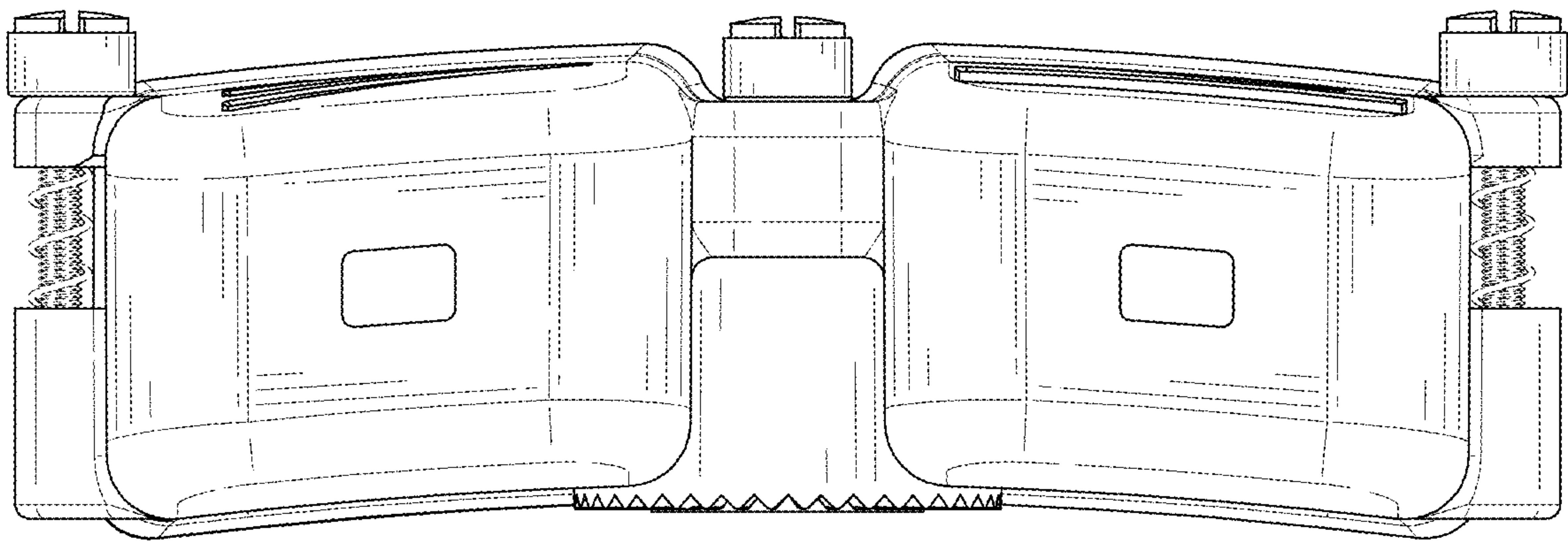


FIG. 8

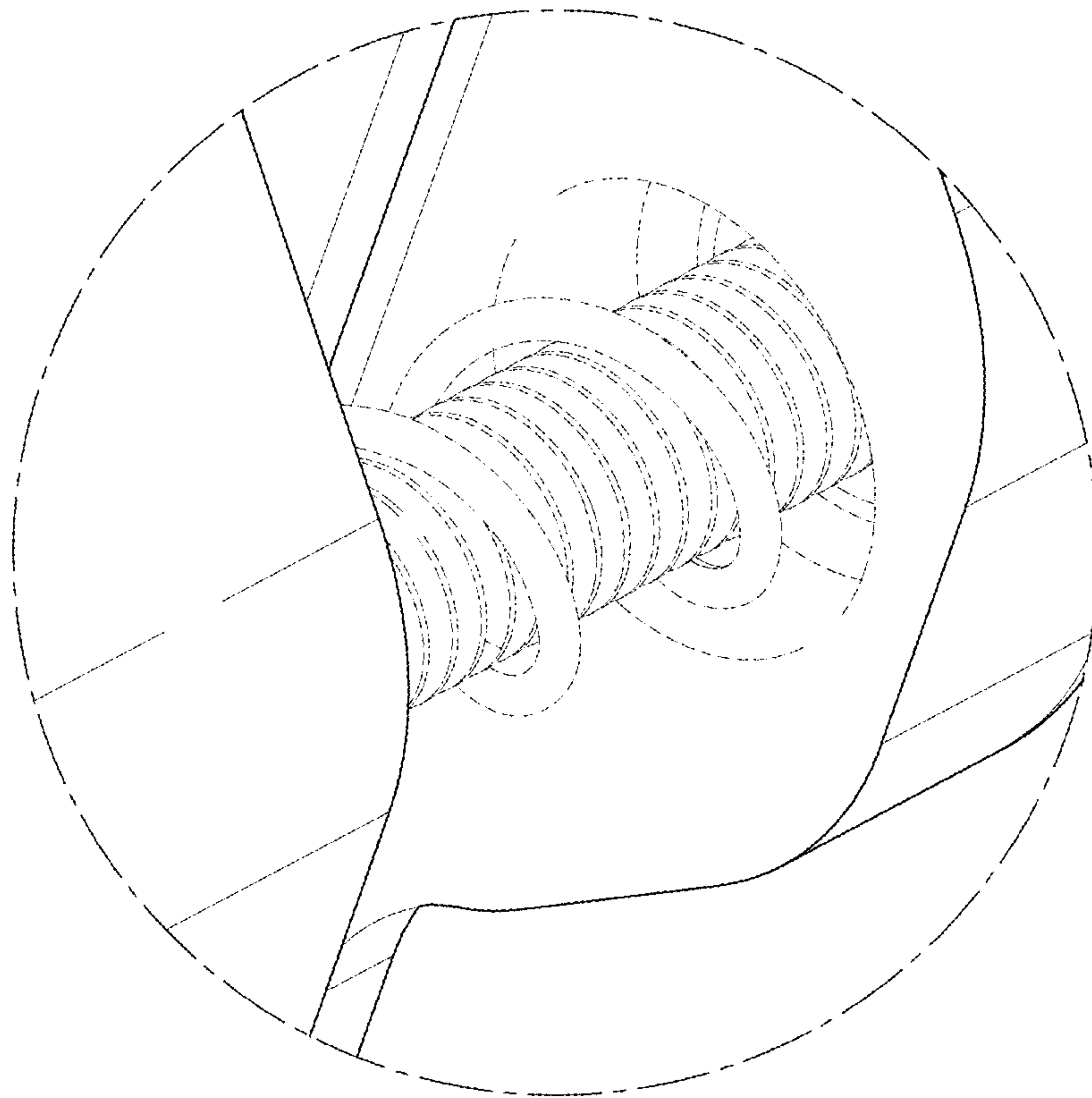


FIG. 9