



US00D969479S

(12) **United States Design Patent** (10) **Patent No.:** **US D969,479 S**
Riccio (45) **Date of Patent:** **** Nov. 15, 2022**

(54) **BACKPACK**

D699,942 S * 2/2014 Mather D3/217
D708,845 S 7/2014 Taylor
D739,653 S 9/2015 Majeau et al.
(Continued)

(71) Applicant: **Kitanica, LLC**, Irwindale, CA (US)

(72) Inventor: **Leonard Riccio**, Oakland, CA (US)

(**) Term: **15 Years**

FOREIGN PATENT DOCUMENTS

(21) Appl. No.: **29/767,048**

CN 305730137 * 4/2020
CN 306239144 * 12/2020
(Continued)

(22) Filed: **Jan. 20, 2021**

OTHER PUBLICATIONS

(51) **LOC (13) Cl.** **03-01**

(52) **U.S. Cl.**

USPC **D3/216**

(58) **Field of Classification Search**

USPC D3/214–226, 230–233, 242–244, 254
CPC A45F 3/00; A45F 3/005; A45F 3/02; A45F
3/04; A45F 3/042; A45F 3/047; A45F
3/06; A45F 3/08; A45F 3/10; A45F
2003/001; A45F 2003/002; A45F
2003/003; A45F 2003/006; A45F
2003/007; A45F 2003/008; A45F
2003/025; A45F 2003/045; A45F
2200/00; A45F 2200/05; A45F
2200/0525; A45F 2200/0533

Kitanica® VESPID 30L Backpack Feature Walk-Through, avail-
able at youtube.com, posted Oct. 8, 2021 [online], site visited Apr.
27, 2022, available from the internet URL: <https://www.youtube.com/watch?v=jXMBC1FEIKM&t=2s> (Year: 2021).*

(Continued)

See application file for complete search history.

Primary Examiner — Messina L Smith
Assistant Examiner — Jillian Mazzola
(74) *Attorney, Agent, or Firm* — Clement Cheng

(57) **CLAIM**

I claim the ornamental design for a backpack, as shown and described.

(56) **References Cited**

DESCRIPTION

U.S. PATENT DOCUMENTS

D402,107 S * 12/1998 Allison D3/217
D409,376 S * 5/1999 Golenz D3/217
D418,972 S * 1/2000 Gold D3/217
D453,873 S * 2/2002 Blanking D3/217
D472,049 S * 3/2003 Murdoch D3/268
D485,061 S * 1/2004 Noell D3/226
D506,607 S * 6/2005 Fonfeder D3/217
D508,315 S * 8/2005 Han D3/217
D535,099 S * 1/2007 Johansson D3/276
D554,853 S * 11/2007 Bihn D3/217
D641,973 S 7/2011 Quehl
D669,257 S * 10/2012 Hedaya D3/217
D674,591 S * 1/2013 Hargens D3/217
D698,542 S * 2/2014 January D3/217

FIG. 1 is a perspective view of a backpack showing the new design.

FIG. 2 is a front view thereof.

FIG. 3 is a back view thereof.

FIG. 4 is a right side view thereof.

FIG. 5 is a left side view thereof.

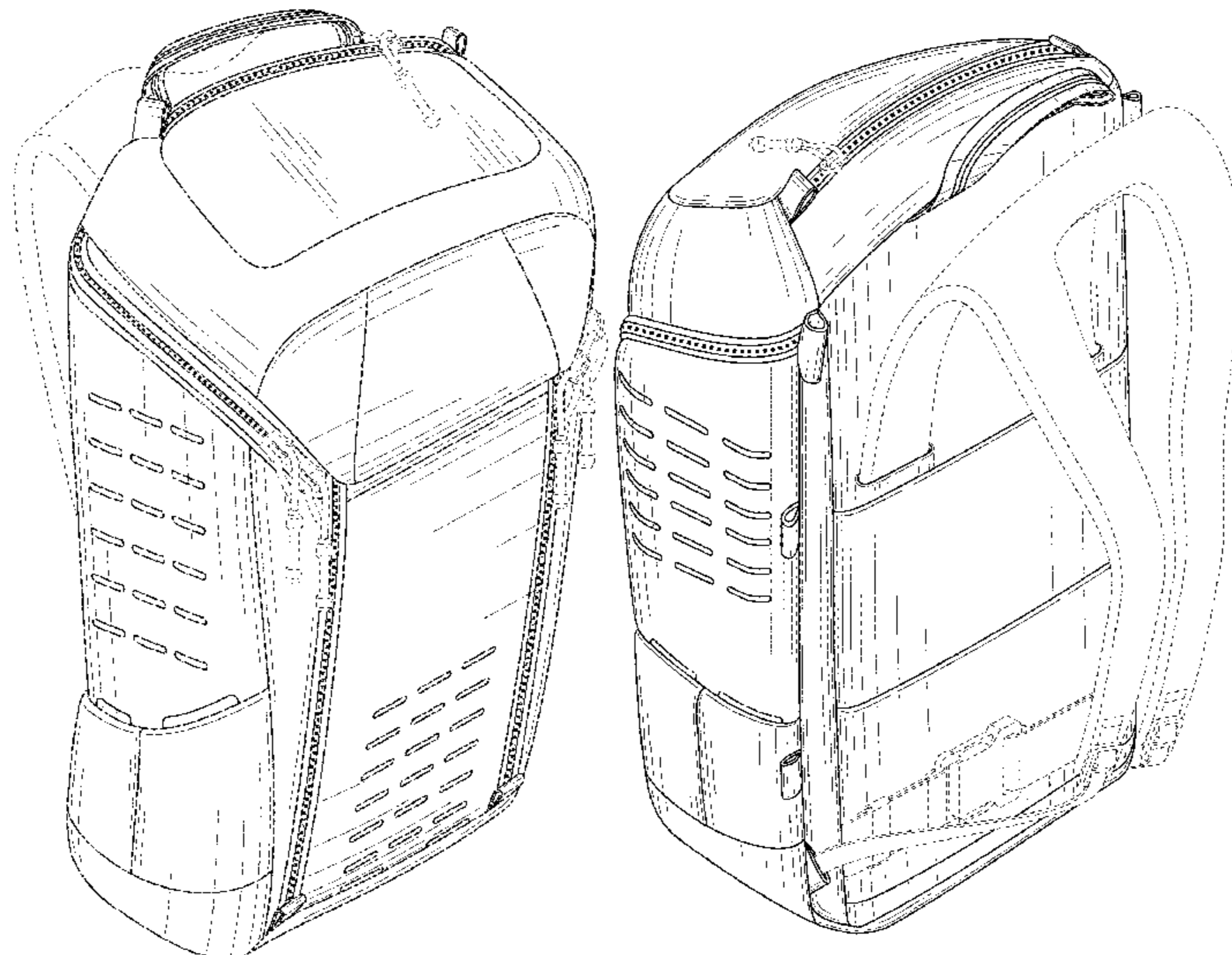
FIG. 6 is a top view thereof.

FIG. 7 is a bottom view thereof; and,

FIG. 8 is a back perspective view thereof.

The dotted line showing of the straps and the zipper pull tabs depict portions of the backpack that form no part of the claimed invention.

1 Claim, 8 Drawing Sheets



(56)

References Cited

OTHER PUBLICATIONS

U.S. PATENT DOCUMENTS

D746,049 S	*	12/2015	Zwetzig	D3/217
D747,104 S	*	1/2016	Ford	D3/216
D770,761 S		11/2016	Deioma	
D796,187 S		9/2017	Bogue	
D798,043 S	*	9/2017	Sassi	D3/217
D828,728 S	*	9/2018	Jacobsen	D7/607
D829,435 S	*	10/2018	Viger	D3/217
D851,392 S	*	6/2019	Kao	D3/217
D868,455 S	*	12/2019	Skaff	D3/217
D872,991 S	*	1/2020	Grill	D3/217
D885,043 S	*	5/2020	Lu	D3/217
D891,759 S	*	8/2020	Smith	D3/217
D917,159 S	*	4/2021	Burkett	D3/217
D938,717 S	*	12/2021	Tan	D3/217

FOREIGN PATENT DOCUMENTS

CN	307249176	*	4/2022
RU	00128530	*	11/2021
TW	201701-0001	*	1/2020

Video: The Kitanica VESPID 30L Backpack—EDC, Bugout or Hunting, available at ballisticmag.com, posted Oct. 11, 2021 [online], site visited Apr. 27, 2022, available from the internet URL: <https://www.ballisticmag.com/kitanica-vespid-30l-backpack/> (Year: 2021).*

Tactical One, available at leatherbackgear.com, earliest customer review date Jun. 11, 2019 [online], site visited Apr. 27, 2022, available from the internet URL: <https://www.leatherbackgear.com/products/tactical-one> (Year: 2019).*

Foxtrot, available at hltactical.com, earliest customer review date Dec. 19, 2019 [online], site visited Apr. 27, 2022, available from the internet URL: <https://hltactical.com/products/foxtrot> (Year: 2019).*

IbexPac™ | 30L Military Backpack, available at goattrailtactical.com, earliest customer review date Apr. 2021 [online], site visited Apr. 27, 2022, available from the internet URL: <https://goattrailtactical.com/products/military-backpack-30l> (Year: 2021).*

* cited by examiner

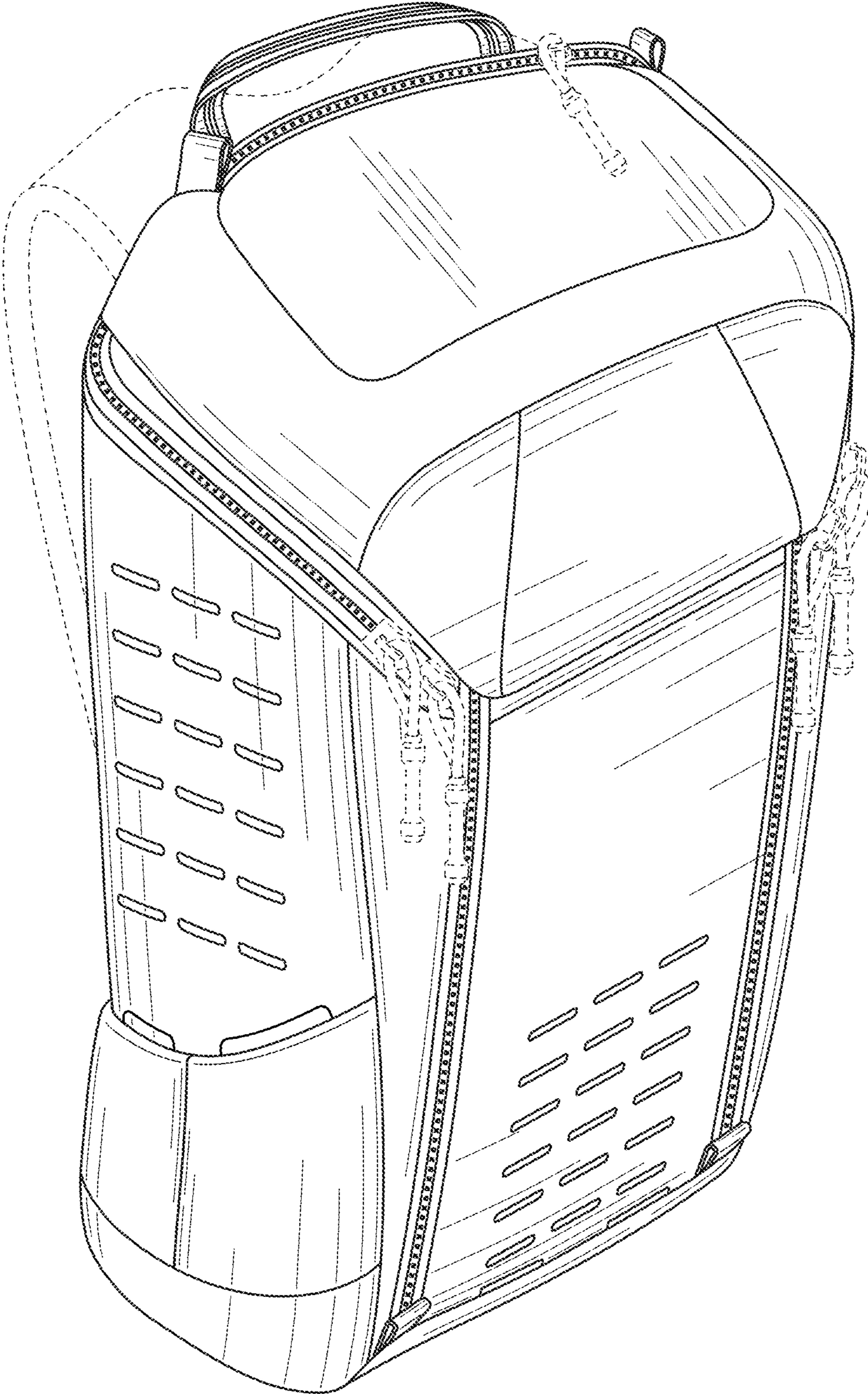


FIG. 1

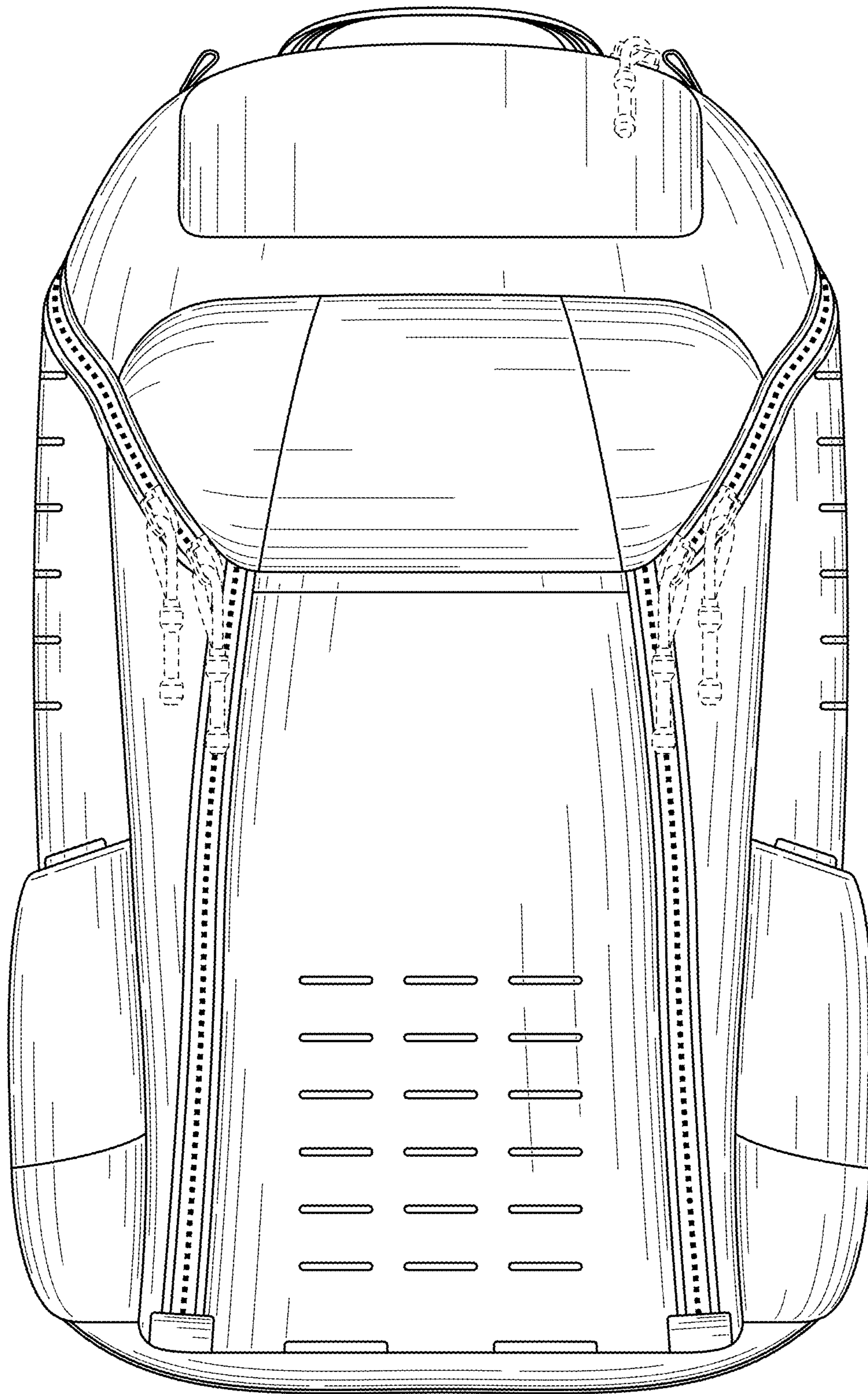


FIG. 2

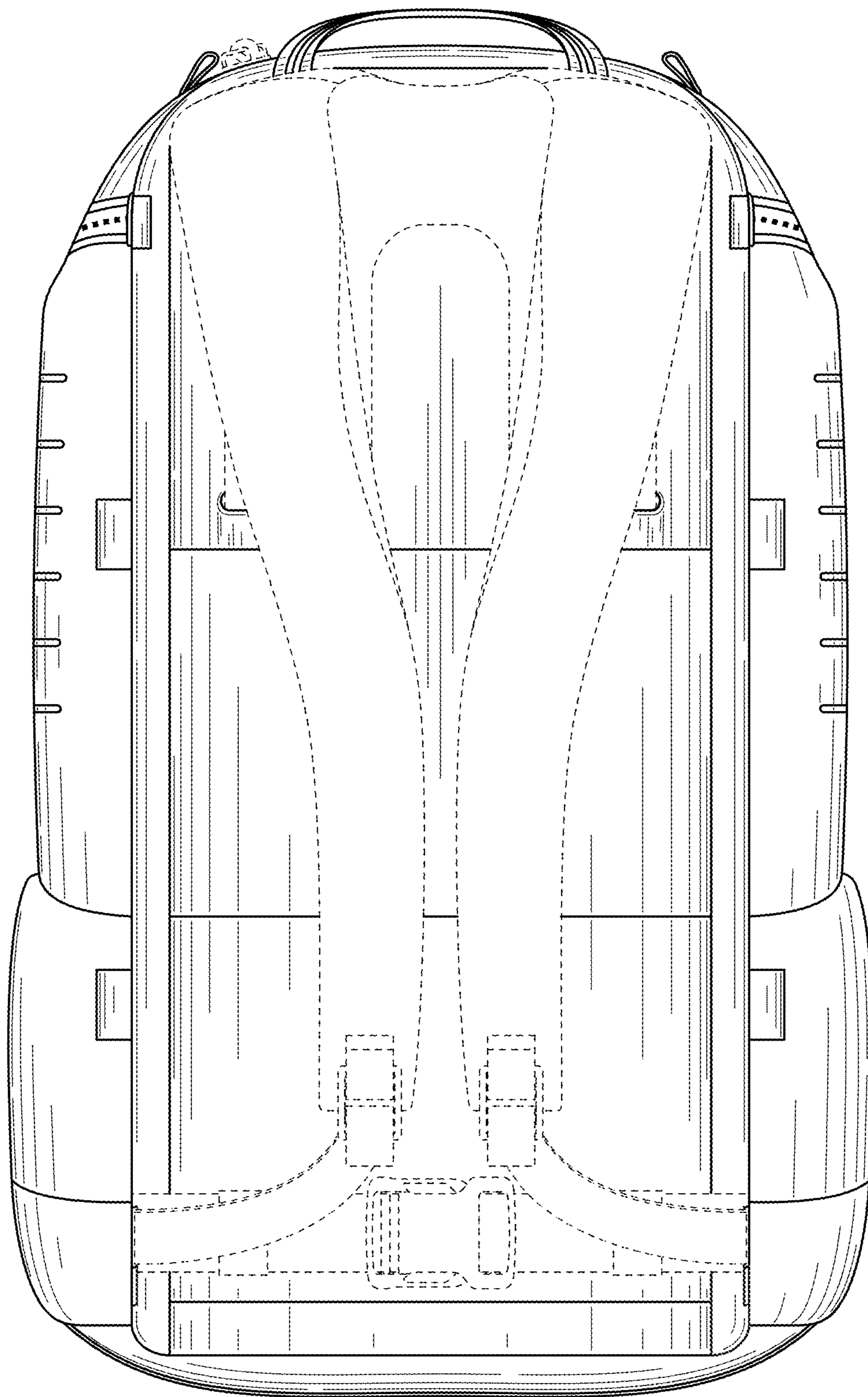


FIG. 3

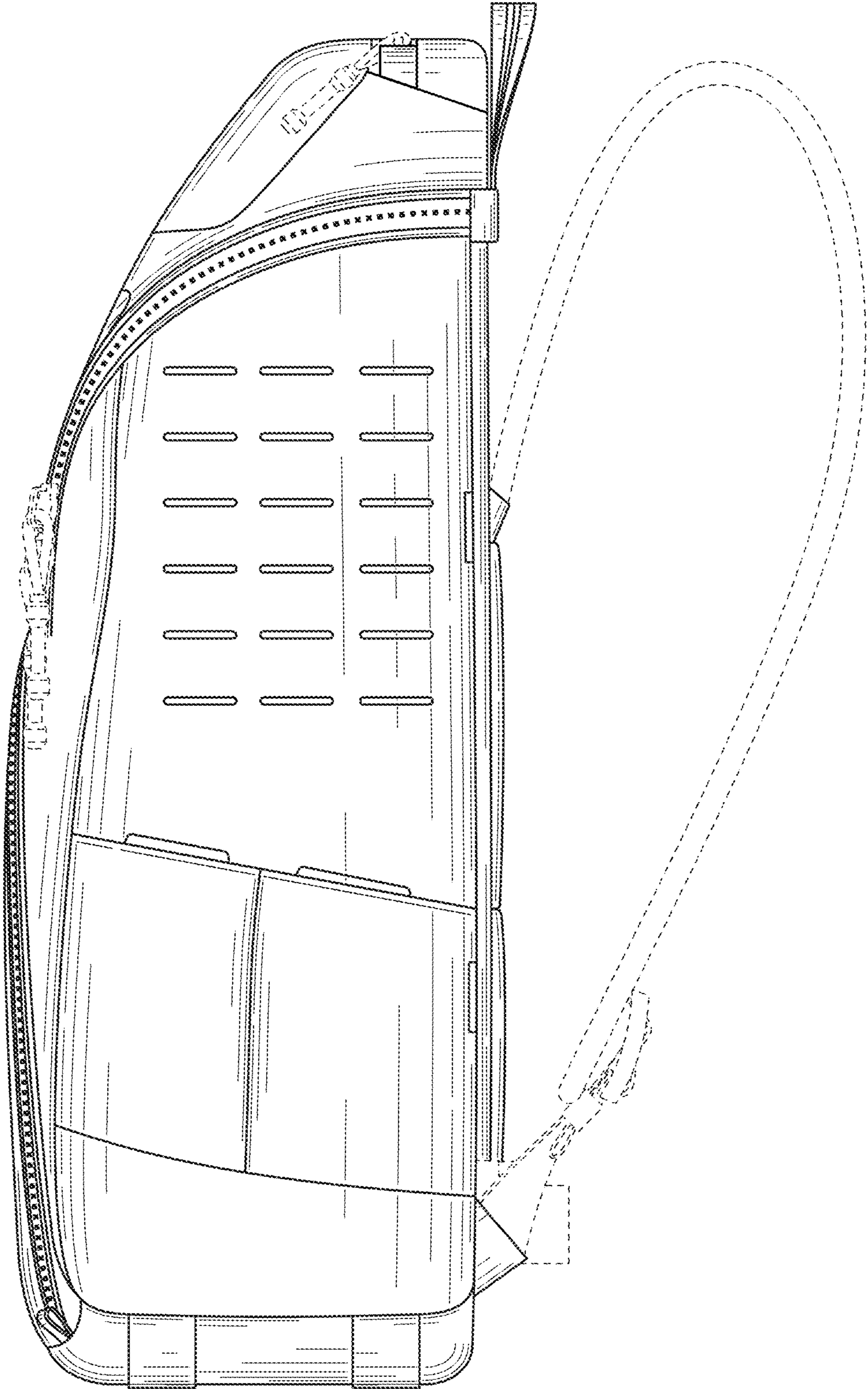


FIG. 4

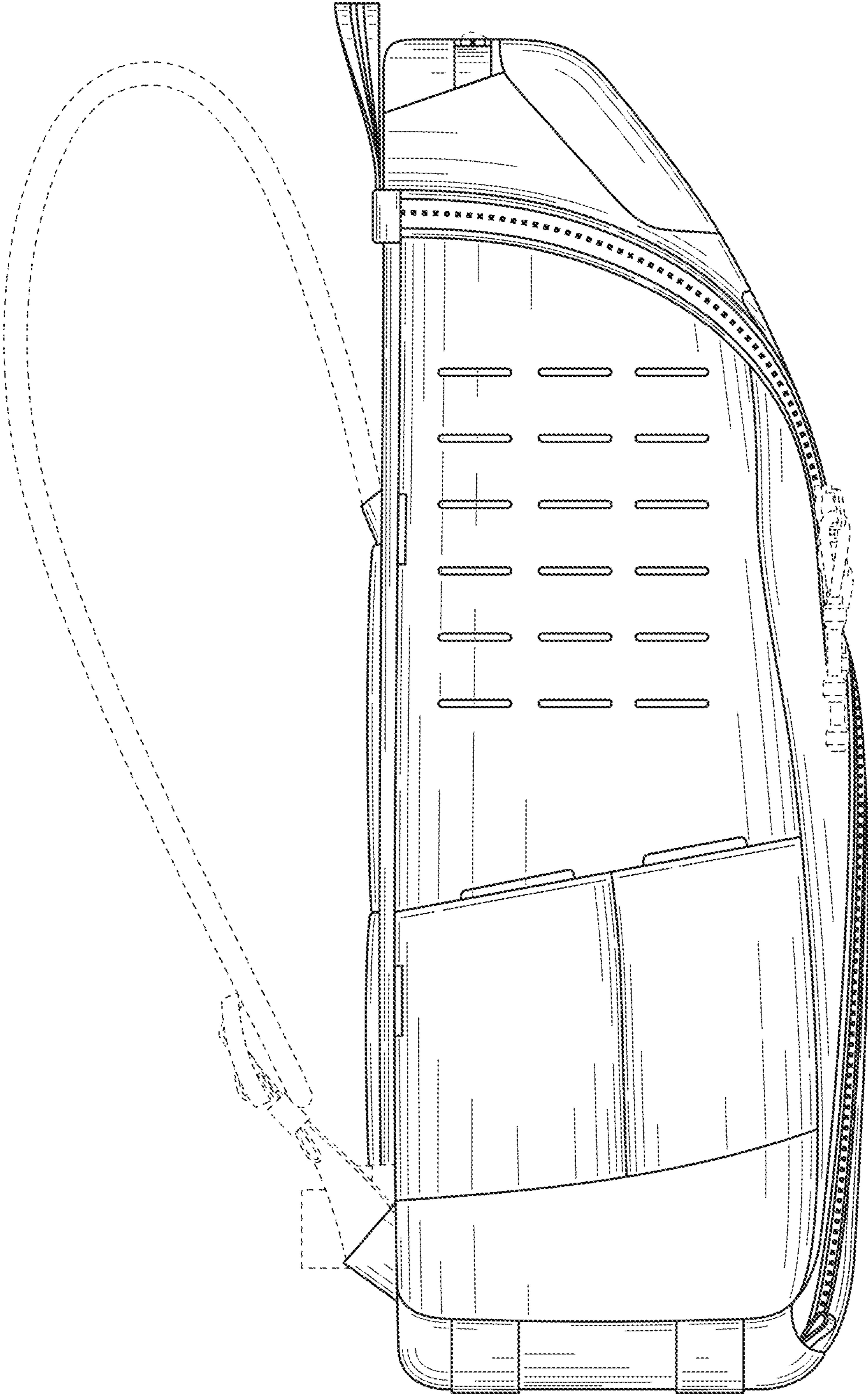


FIG. 5

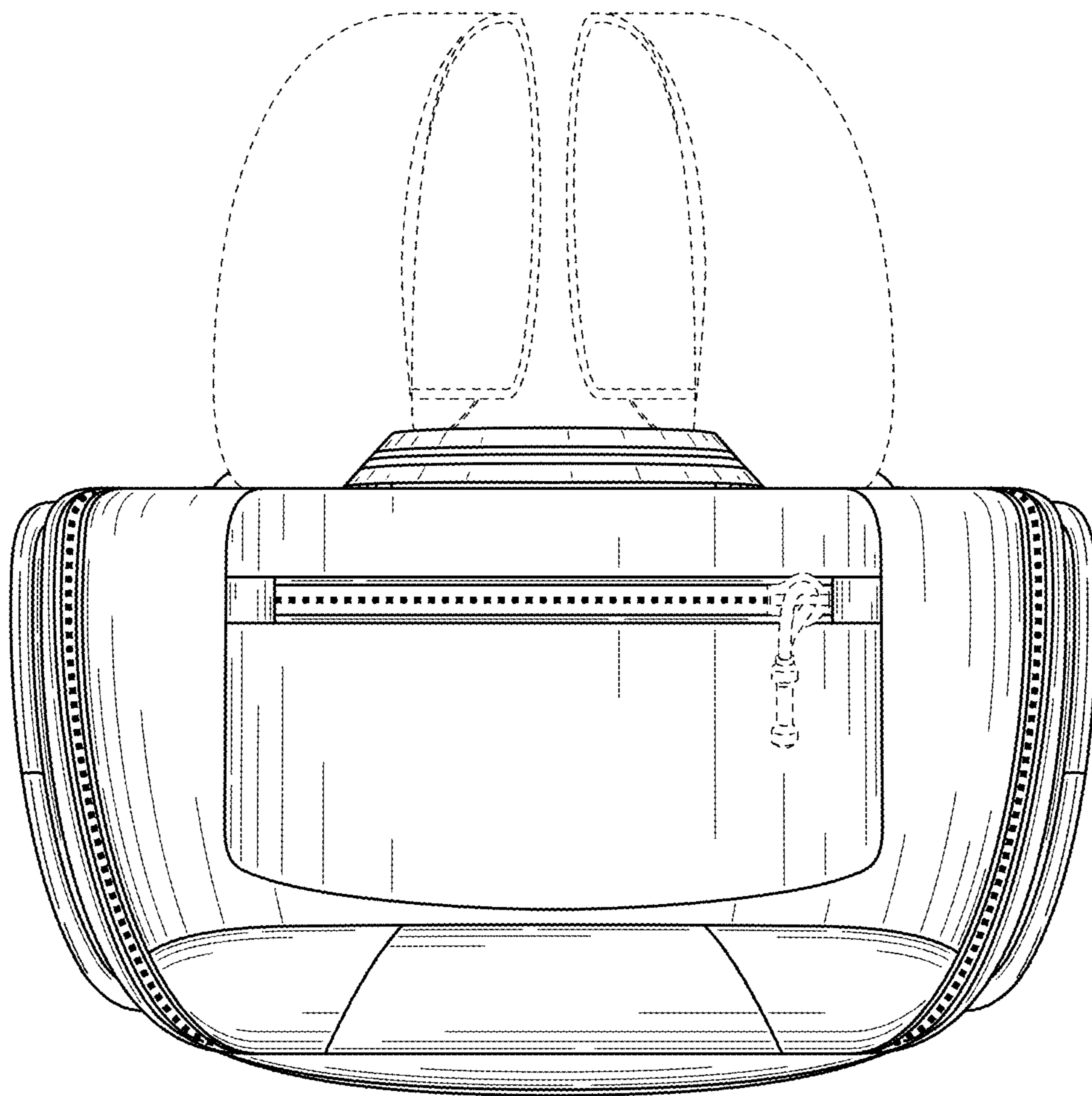


FIG. 6

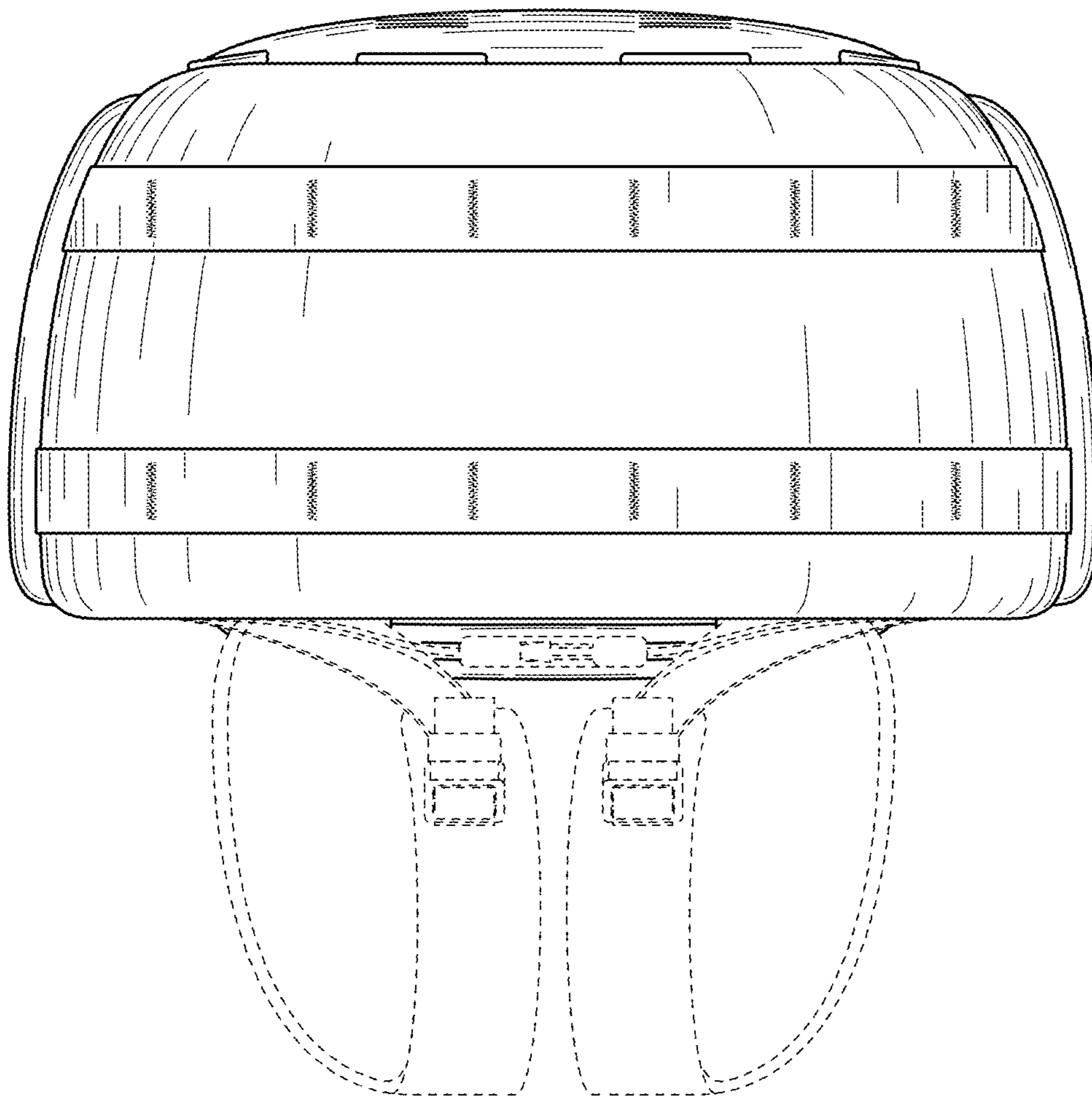


FIG. 7

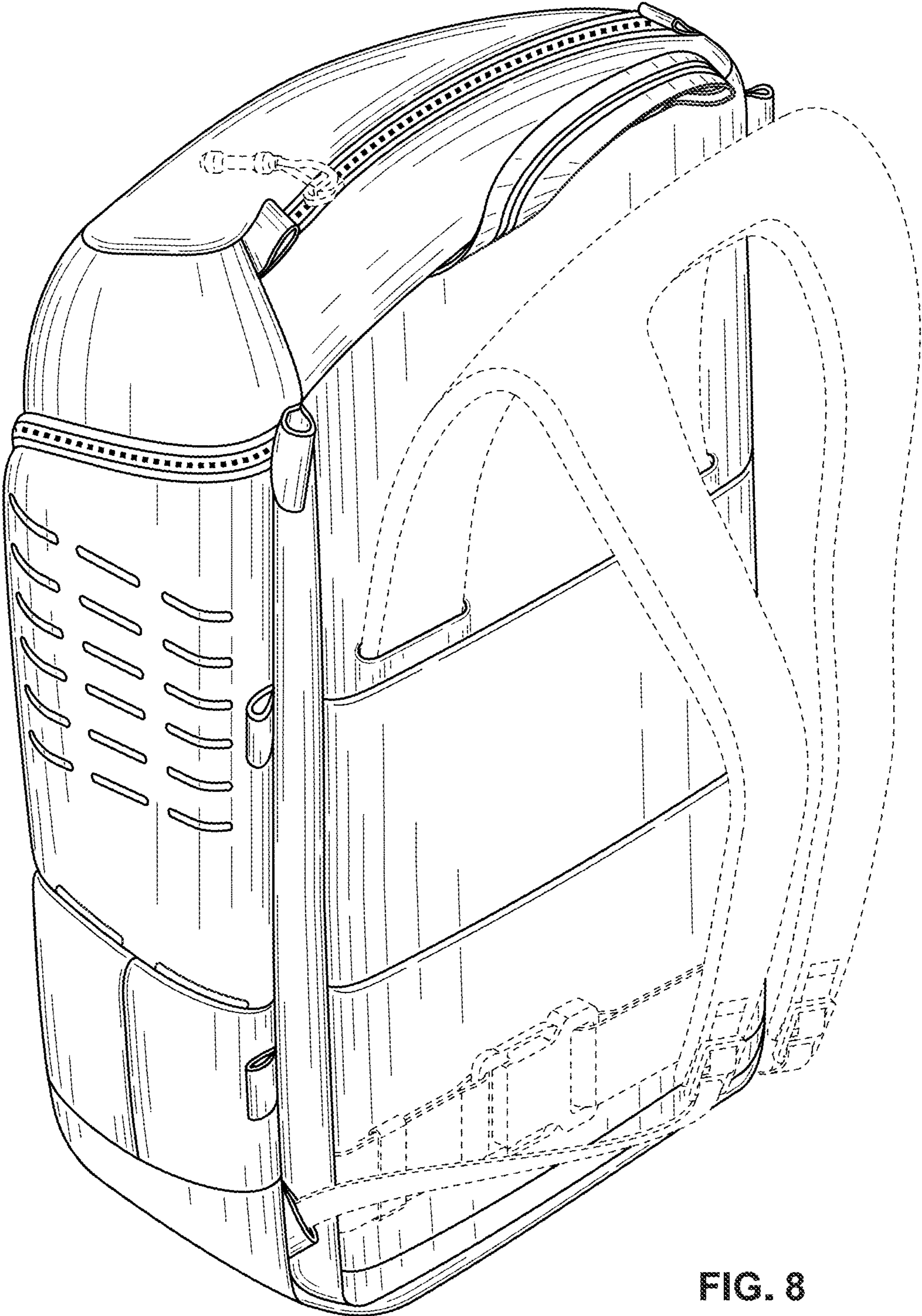


FIG. 8