



US00D969478S

(12) **United States Design Patent**
Zhao

(10) **Patent No.:** **US D969,478 S**
(45) **Date of Patent:** **** Nov. 15, 2022**

(54) **BACKPACK**

(71) Applicant: **Yang Zhao**, Yanting (CN)

(72) Inventor: **Yang Zhao**, Yanting (CN)

(**) Term: **15 Years**

(21) Appl. No.: **29/732,052**

(22) Filed: **Apr. 21, 2020**

(51) **LOC (13) Cl.** **03-01**

(52) **U.S. Cl.**
USPC **D3/216**

(58) **Field of Classification Search**
USPC D3/214–226, 230–233, 242–244, 254
CPC A45F 3/00; A45F 3/005; A45F 3/02; A45F
3/04; A45F 3/042; A45F 3/047; A45F
3/06; A45F 3/08; A45F 3/10; A45F
2003/001; A45F 2003/002; A45F
2003/003; A45F 2003/006; A45F
2003/007; A45F 2003/008; A45F
2003/025; A45F 2003/045; A45F
2200/00; A45F 2200/05; A45F
2200/0525; A45F 2200/0533
See application file for complete search history.

(56) **References Cited**

U.S. PATENT DOCUMENTS

D375,622 S	*	11/1996	Croft	D3/217
D407,214 S	*	3/1999	Chapman	D3/217
D451,274 S	*	12/2001	Kegels	D3/217
D534,353 S	*	1/2007	Hsieh	D3/301
D699,431 S	*	2/2014	Hock	D3/217
D706,027 S	*	6/2014	Hock	D3/217
D706,533 S	*	6/2014	Hock	D3/217
D706,534 S	*	6/2014	Zwetzig	D3/217
D816,990 S	*	5/2018	Naito	D3/267
D857,377 S	*	8/2019	Hong	D3/217
D859,818 S	*	9/2019	Wu	D3/217
D890,516 S	*	7/2020	Jacobsen	D3/217

D911,024 S	*	2/2021	Rabe	D3/217
D925,908 S	*	7/2021	Knoll	D3/217
D931,600 S	*	9/2021	Huang	D3/217
D937,568 S	*	12/2021	Lei	D3/217
D937,576 S	*	12/2021	Thibadeau	D3/217

FOREIGN PATENT DOCUMENTS

CN	306982055	*	12/2021
CN	307068486	*	1/2022

(Continued)

OTHER PUBLICATIONS

Bostanten Backpack Purse, available at bostanten.com, earliest customer review date Aug. 29, 2021 [online], site visited Apr. 27, 2022, available from the internet URL: <https://www.bostanten.com/products/bostanten-genuine-leather-backpack-purse-casual-college-travel-bags-for-women?> (Year: 2021).*

(Continued)

Primary Examiner — Messina L Smith
Assistant Examiner — Jillian Mazzola
(74) *Attorney, Agent, or Firm* — Rumit Ranjit Kanakia

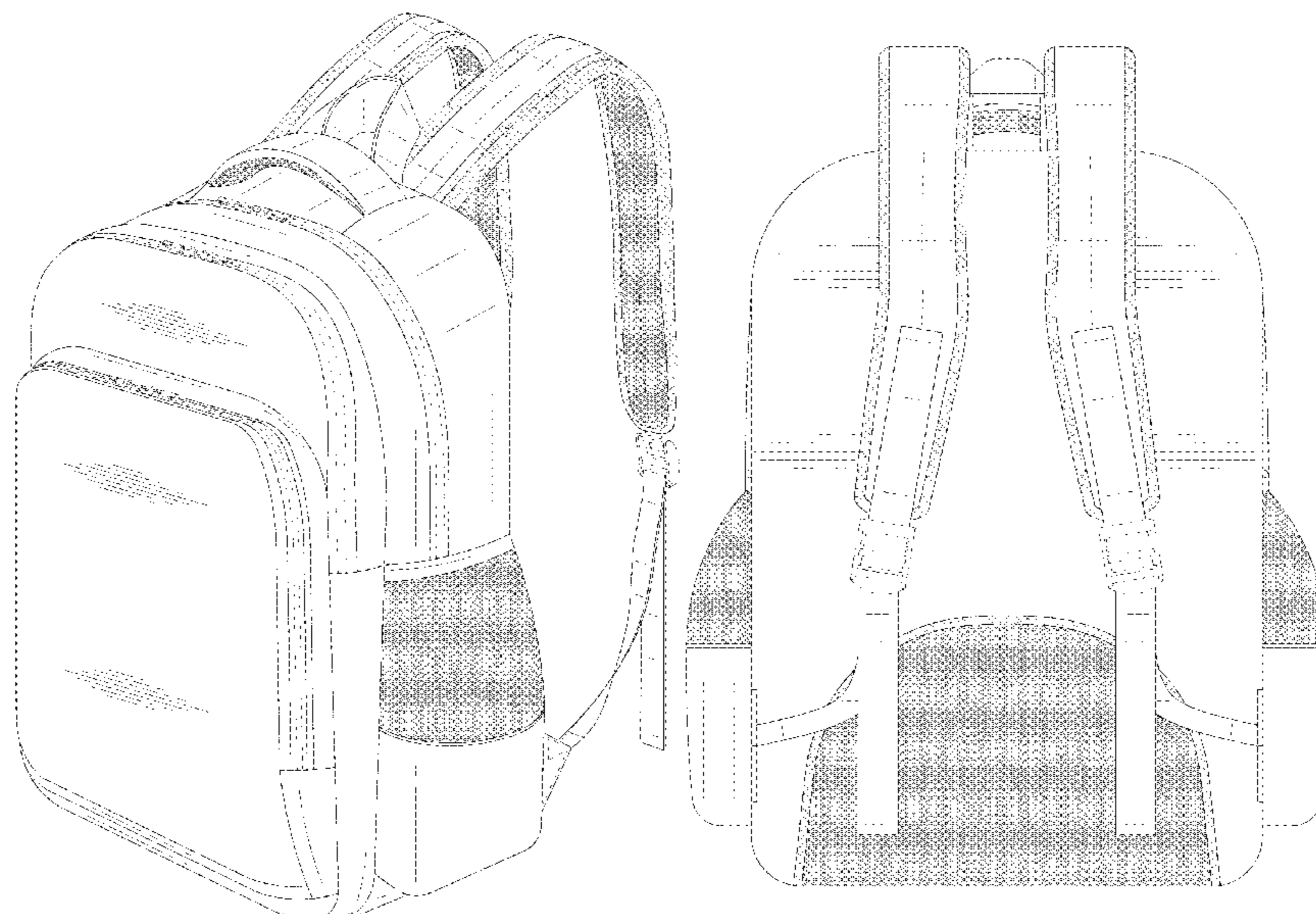
(57) **CLAIM**

The ornamental design for a backpack, as shown and described.

DESCRIPTION

FIG. 1 is a perspective view of a backpack showing my new design;
FIG. 2 is a front view thereof;
FIG. 3 is a back view thereof;
FIG. 4 is a Right side view thereof;
FIG. 5 is a Left side view thereof;
FIG. 6 is a top view thereof; and,
FIG. 7 is a bottom view thereof.
The broken lines in the drawings depict portions of the backpack that form no part of the claimed design.

1 Claim, 7 Drawing Sheets



(56)

References Cited

FOREIGN PATENT DOCUMENTS

CN	307229949	*	4/2022
RU	00120085	*	6/2020

OTHER PUBLICATIONS

Thule Crossover 2, available at [thule.com](https://www.thule.com), earliest customer review date Apr. 2020 [online], site visited Apr. 27, 2022, available from the internet URL: https://www.thule.com/en-us/backpacks/laptop-backpacks/thule-crossover-2-backpack-20l-_3203838 (Year: 2020).*

Choco Mocha Backpack, available at [amazon.com](https://www.amazon.com), earliest customer review date Apr. 25, 2021 [online], site visited Apr. 27, 2022, available from the internet URL: <https://www.amazon.com/dp/B093FM7GTH/> (Year: 2021).*

Simple Modern Fletcher Backpack, available at [amazon.com](https://www.amazon.com), earliest customer review date Dec. 4, 2020 [online], site visited Apr. 27, 2022, available from the internet URL: <https://www.amazon.com/Simple-Modern-Fletcher-Backpack-Unicorn/dp/B08FFP7JQ1/> (Year: 2020).*

Girls Backpack Elementary Kids Unicom Bookbag Girly School bag Children Laptop Bag (Rosy), https://www.amazon.com/dp/B07T4577PJ/ref=twister_B07T7CV1FM?_encoding=UTF8&psc=1.

* cited by examiner

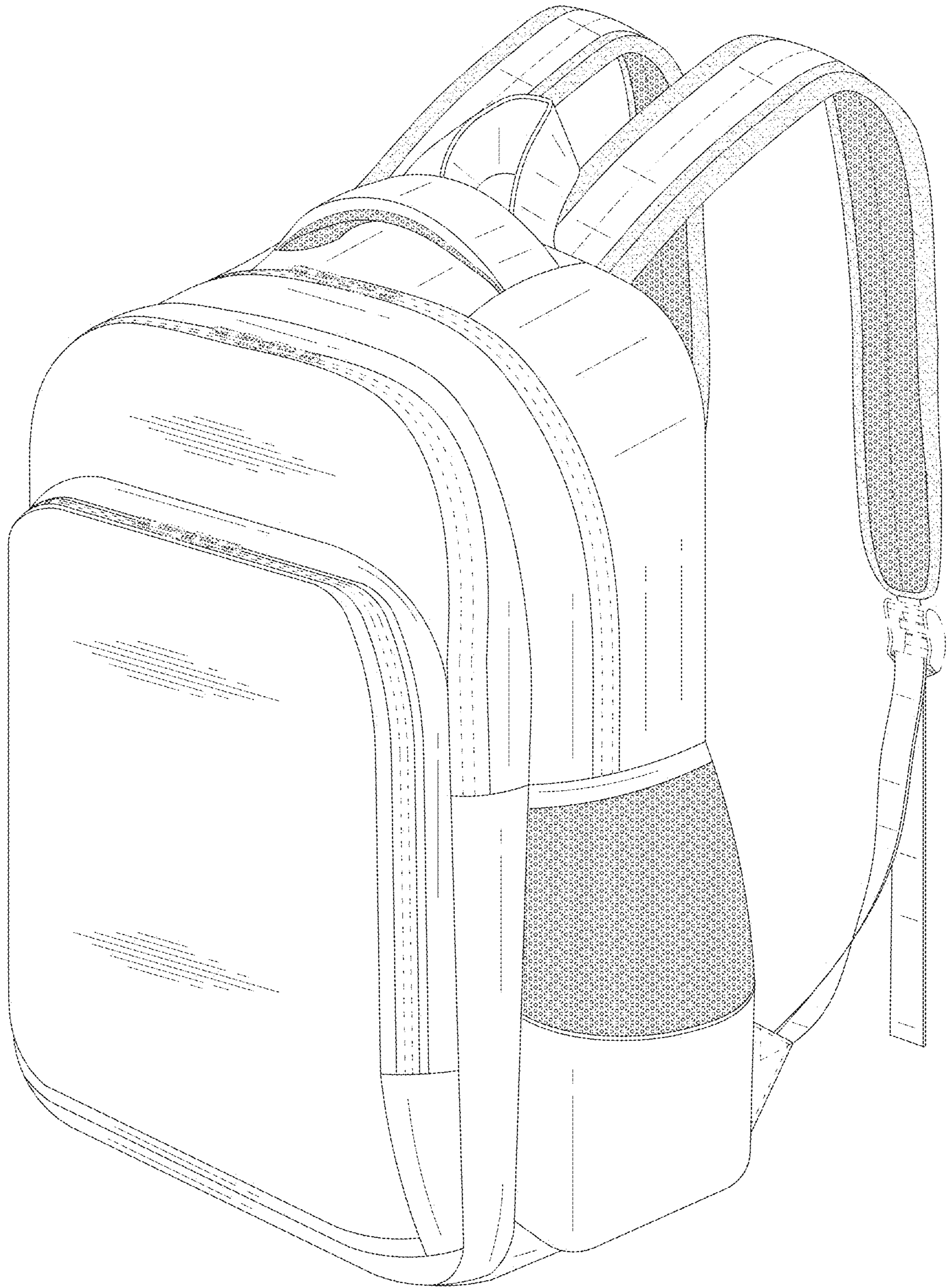


FIG. 1

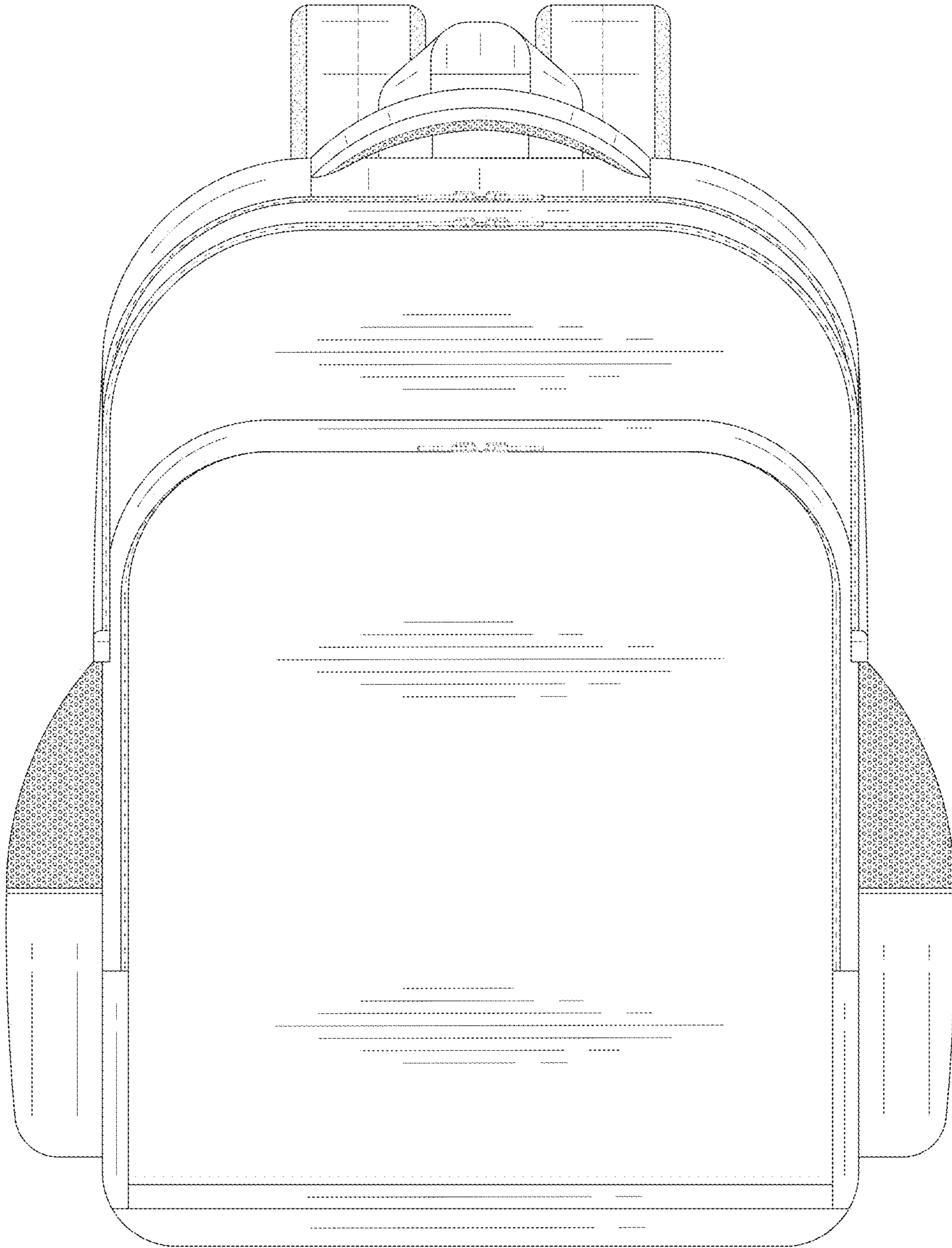


FIG. 2

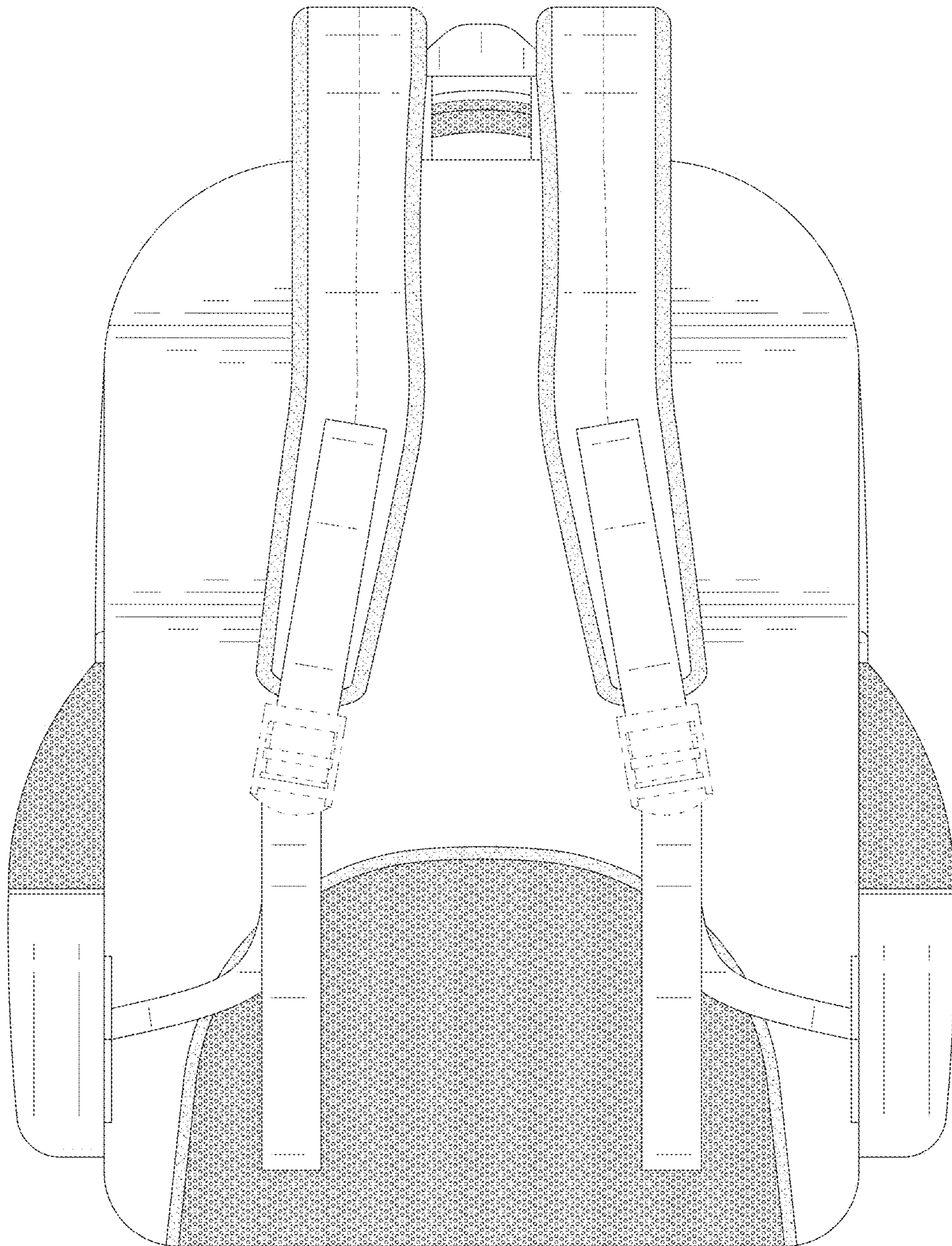


FIG. 3

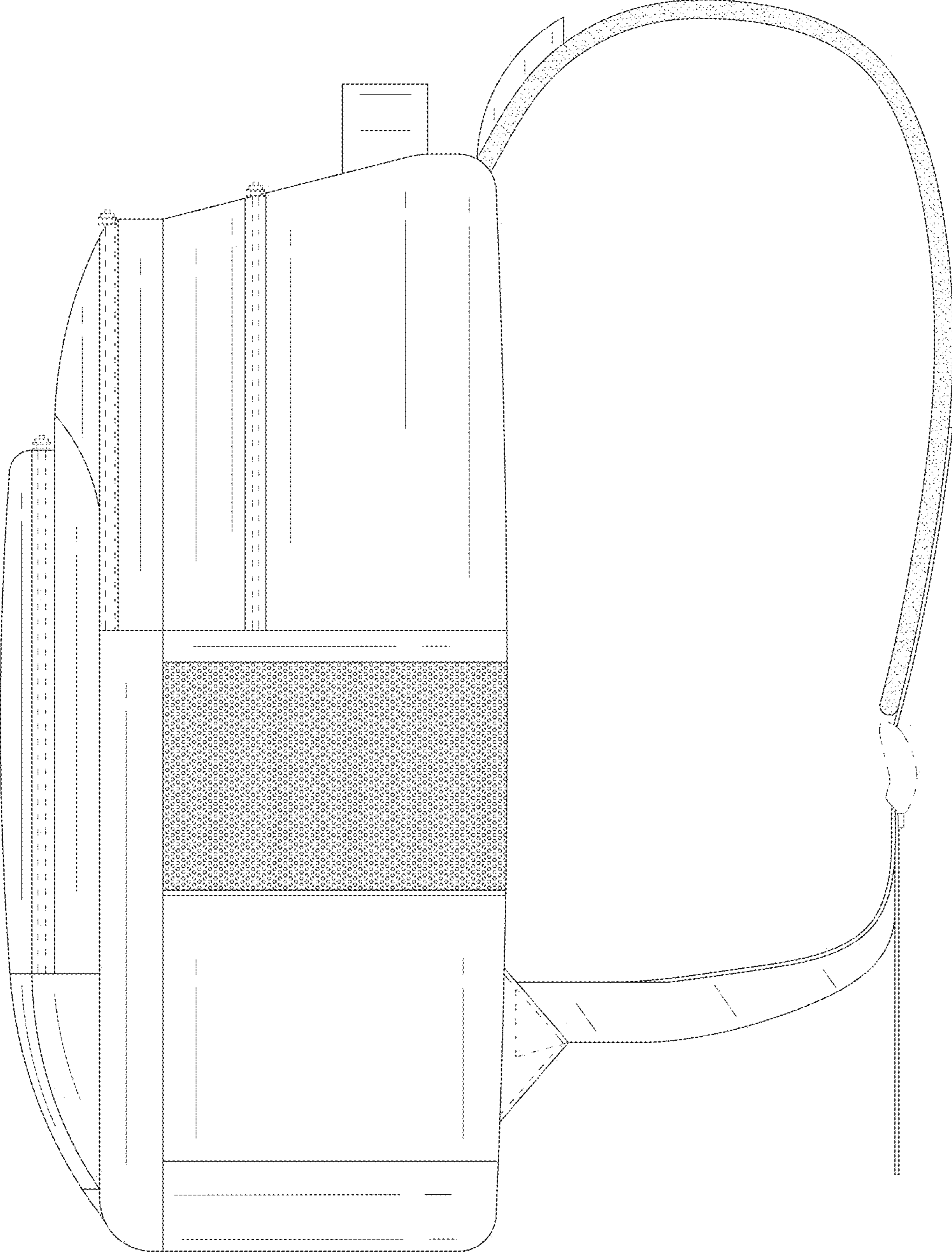


FIG. 4

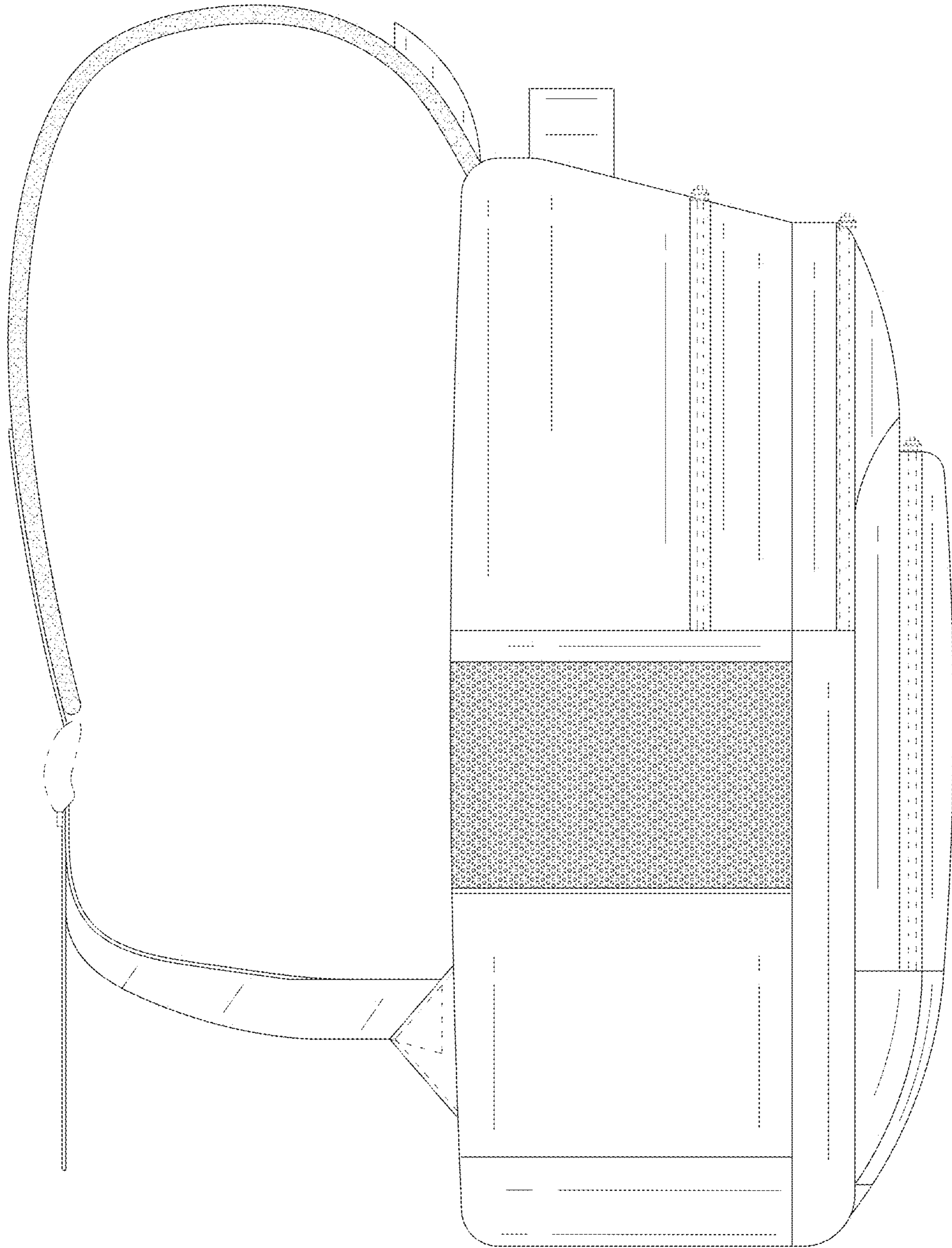


FIG. 5

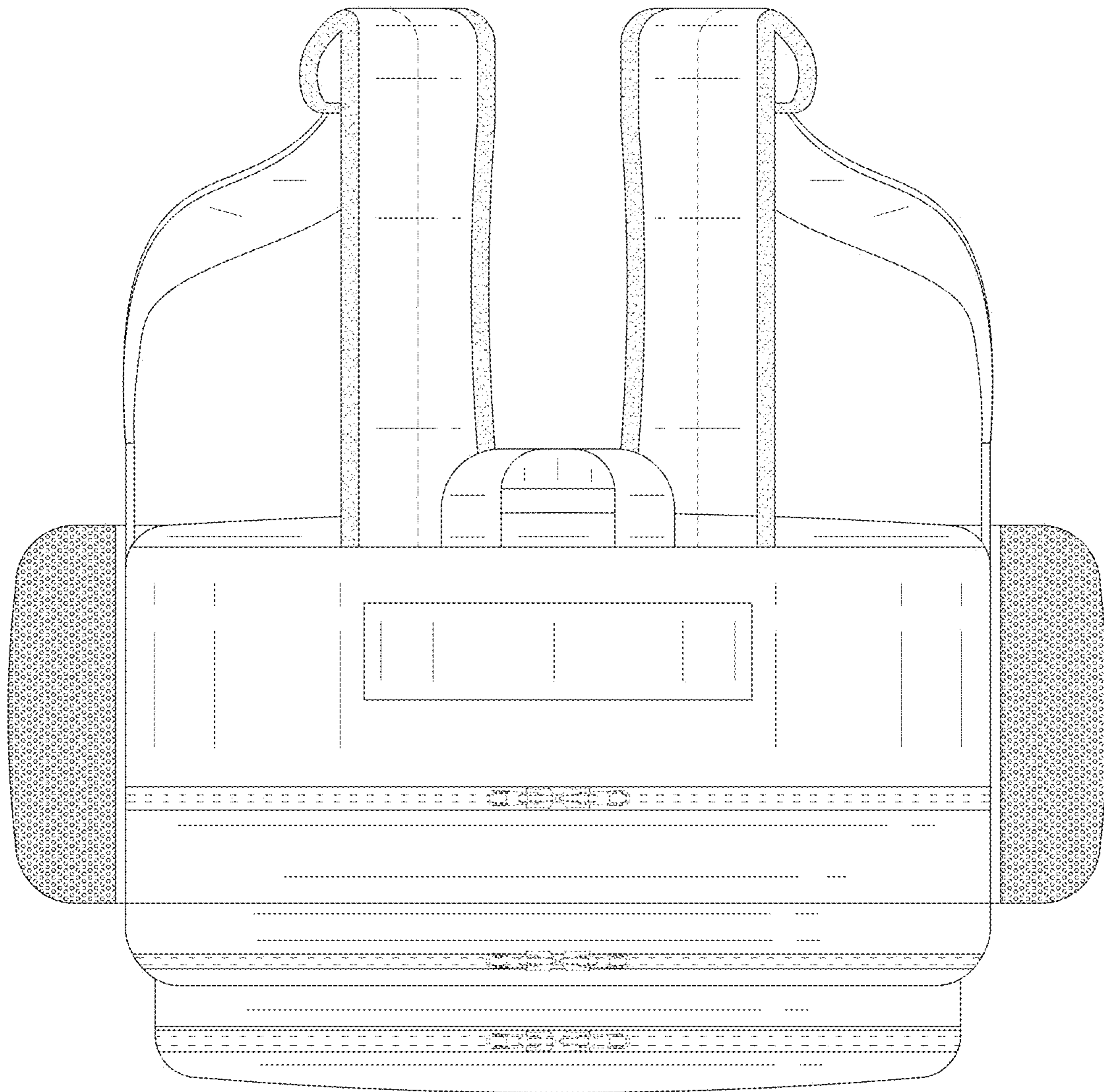


FIG. 6

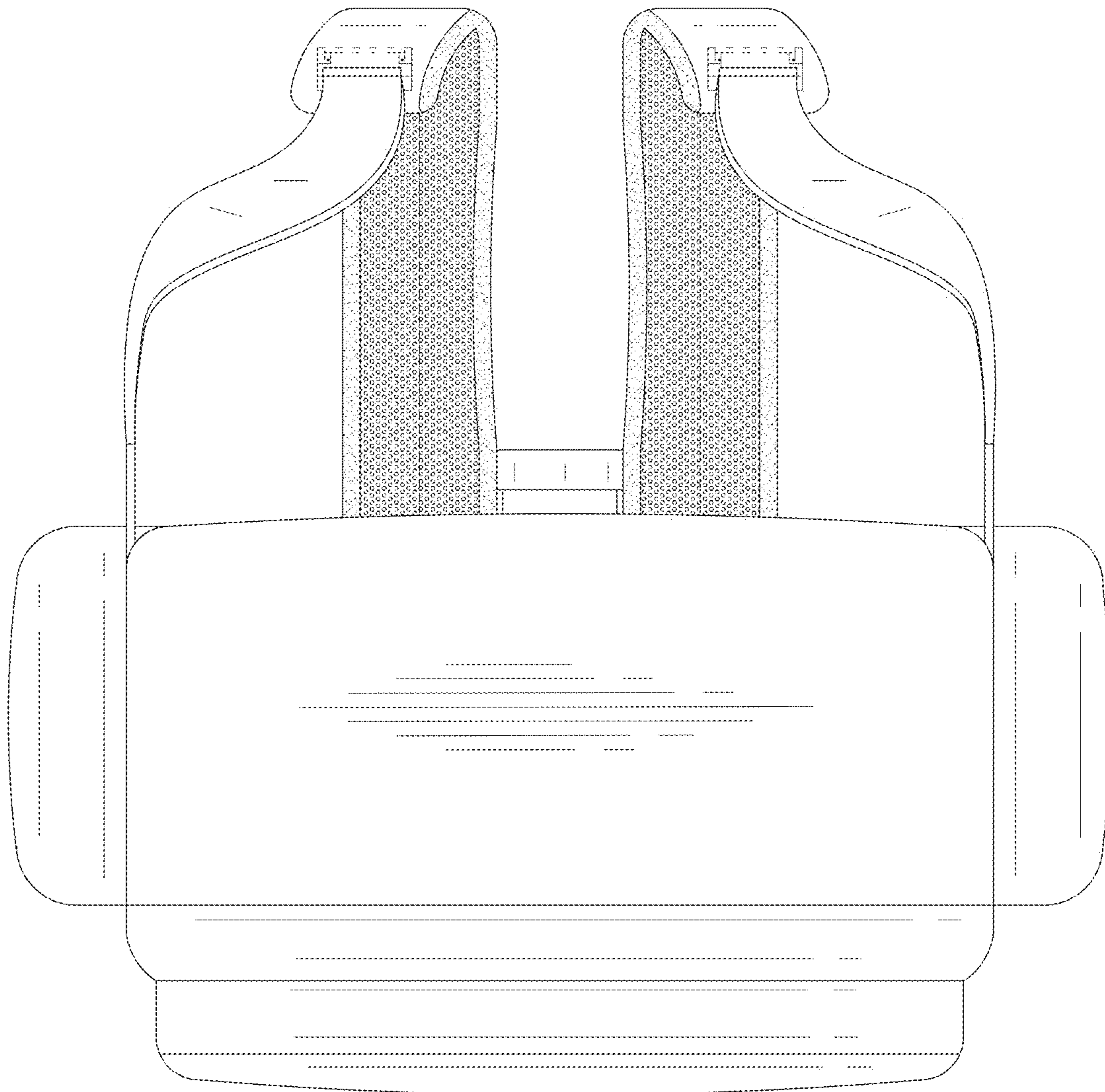


FIG. 7